



US00D395032S

United States Patent [19]

Bennett, Jr.

[11] Patent Number: **Des. 395,032**

[45] Date of Patent: ****Jun. 9, 1998**

[54] **GUIDE RAILS FOR TRUCK CAMPER CAPS**

5,494,327 2/1996 Derecktor 296/3
5,520,316 5/1996 Chen 224/539

[76] Inventor: **Isaac Bennett, Jr.**, 104 Idlewood Ct.,
Bonaire, Ga. 31005-9734

Primary Examiner—James Gandy
Assistant Examiner—Stacia Sinuik
Attorney, Agent, or Firm—Harpman & Harpman

[**] Term: **14 Years**

[21] Appl. No.: **44,495**

[57] CLAIM

[22] Filed: **Sep. 25, 1995**

The ornamental design for guide rails for truck camper caps,
as shown and described.

[51] LOC (6) Cl. **12-16**

[52] U.S. Cl. **D12/414**

[58] Field of Search D12/414, 406,
D12/223, 400; 296/37.1, 37.3, 100, 3, 32,
37.6; 224/539, 542, 545, 547, 555, 556;
211/175

DESCRIPTION

FIG. 1 is an exploded front, top and side perspective view of
the guide rails for truck camper caps embodying the design
of the present invention;

FIG. 2 is a side elevational view thereof, the opposite side
elevational view being identical thereto;

FIG. 3 is a front elevational view thereof;

FIG. 4 is a rear elevational view thereof;

FIG. 5 is a top plan view thereof; and,

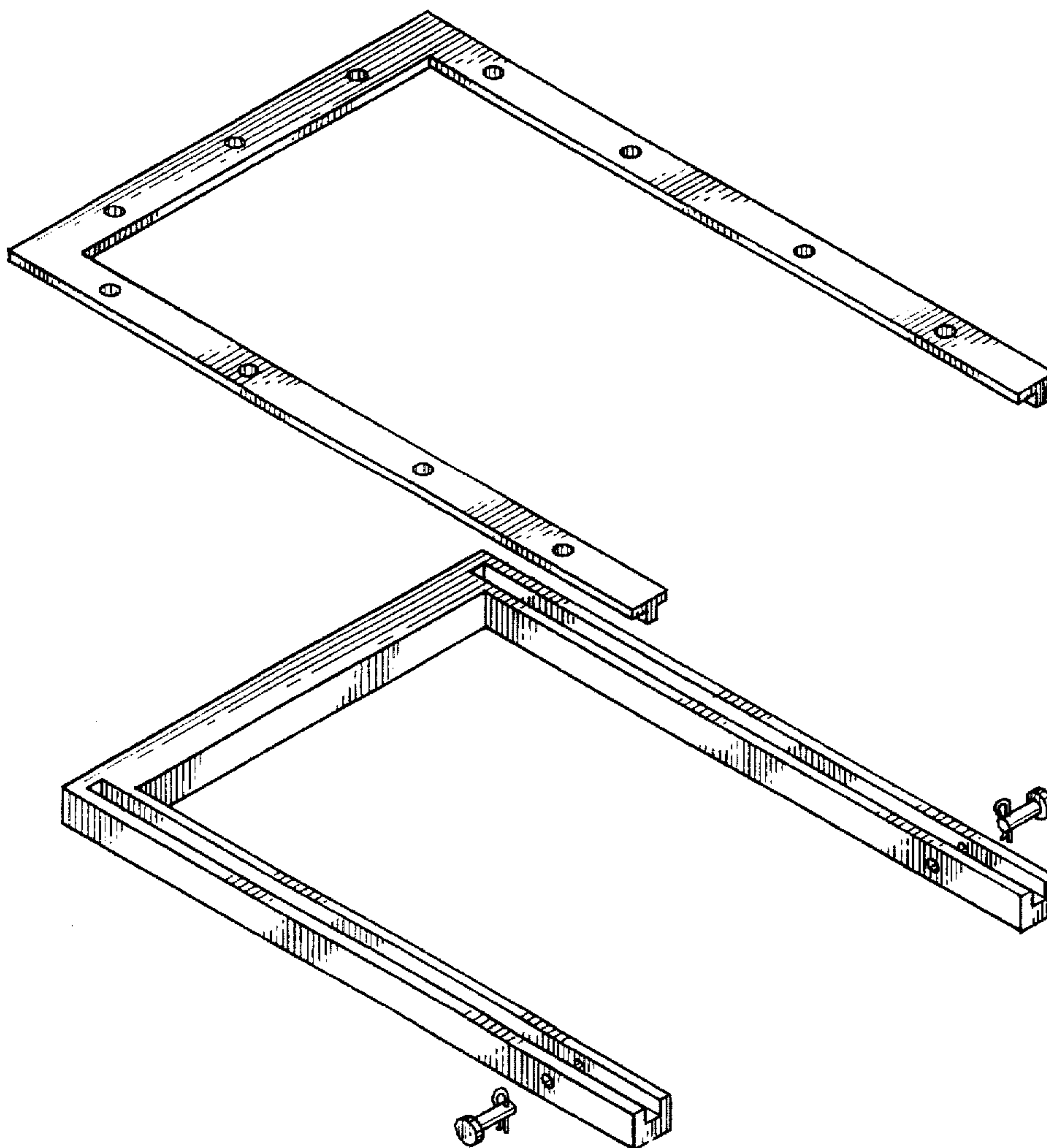
FIG. 6 is a bottom plan view thereof.

[56] References Cited

U.S. PATENT DOCUMENTS

D. 306,003	2/1990	Berkan, Jr.	D12/414
5,037,152	8/1991	Hendricks	296/3
5,143,415	9/1992	Boudah	296/3
5,238,280	8/1993	Christensen	296/3

1 Claim, 2 Drawing Sheets



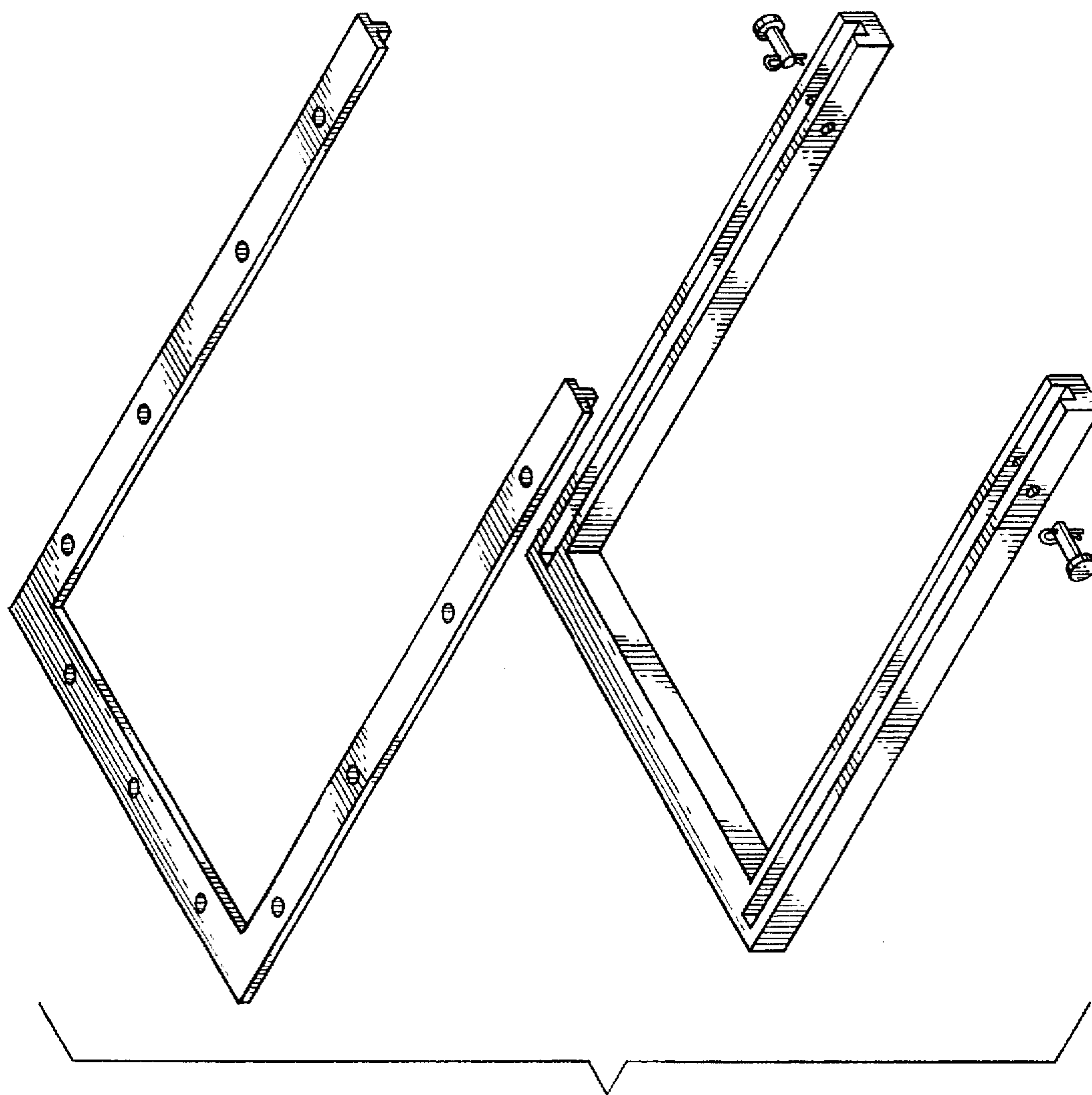


FIG. 1

FIG. 3



FIG. 4



FIG. 2



FIG. 5



FIG. 6

