



US00D395029S

**United States Patent** [19]  
**Hare**

[11] **Patent Number:** **Des. 395,029**  
[45] **Date of Patent:** **\*\*Jun. 9, 1998**

[54] **AUXILIARY VEHICLE SUN VISOR**

1,573,272 2/1926 Phillips ..... 160/DIG. 3 X  
2,210,147 8/1940 Griffith ..... 248/481  
2,446,866 8/1948 Bell ..... 296/97.9 X

[76] **Inventor:** **Matthew James Hare**, 25076 DeWolfe Rd., Newhall, Calif. 91321

*Primary Examiner*—James Gandy  
*Assistant Examiner*—Stacia Sinuik

[\*\*] **Term:** **14 Years**

[57] **CLAIM**

[21] **Appl. No.:** **67,206**

The ornamental design for an auxiliary vehicle sun visor, as shown and described.

[22] **Filed:** **Feb. 21, 1997**

[51] **LOC (6) Cl.** ..... **12-16**

[52] **U.S. Cl.** ..... **D12/191**

[58] **Field of Search** ..... D12/190, 191,  
D12/417, 187, 188; D8/323; 160/370.21,  
370.22, 370.23, DIG. 3; 248/481, 484;  
296/97.1-97.7, 97.8, 97.9, 97.11

**DESCRIPTION**

FIG. 1 is a front elevational view of the auxiliary vehicle sun visor showing my new design;

FIG. 2 is a rear elevational view thereof;

FIG. 3 is a reduced right side view thereof;

FIG. 4 is a reduced left side view thereof;

FIG. 5 is a top plan view thereof; and,

FIG. 6 is a bottom plan view thereof.

The broken line showing of environment in FIG. 3 is for illustrative purposes only and forms no part of the claimed design.

[56] **References Cited**

**U.S. PATENT DOCUMENTS**

D. 157,425 2/1950 Piwczynski et al. .... D12/191  
D. 244,088 4/1977 McCarroll ..... D12/187  
D. 244,270 5/1977 McCarroll ..... D12/187  
D. 373,341 9/1996 Nelson ..... D12/191  
D. 381,002 7/1997 Nelson ..... D12/191

**1 Claim, 3 Drawing Sheets**

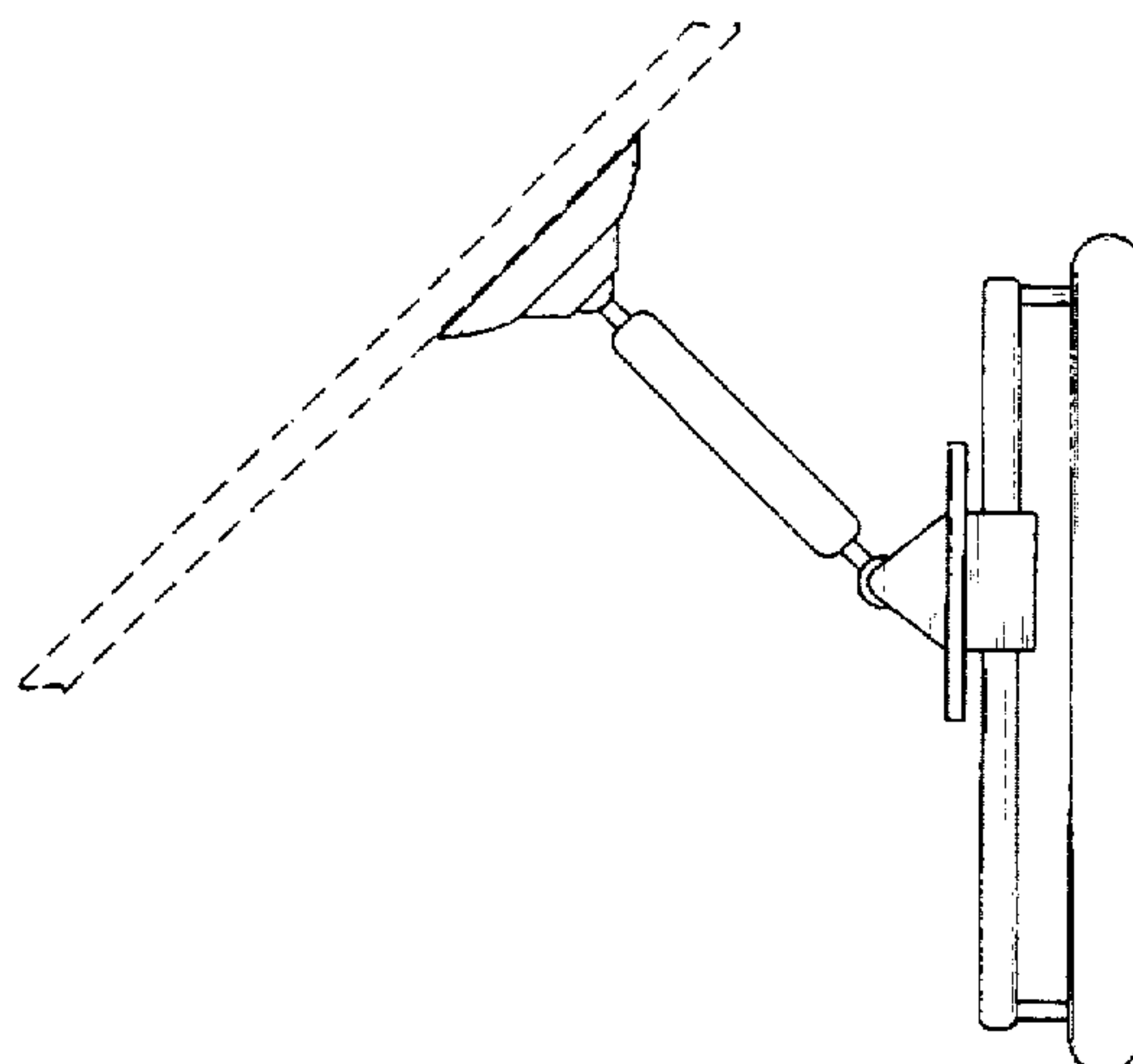
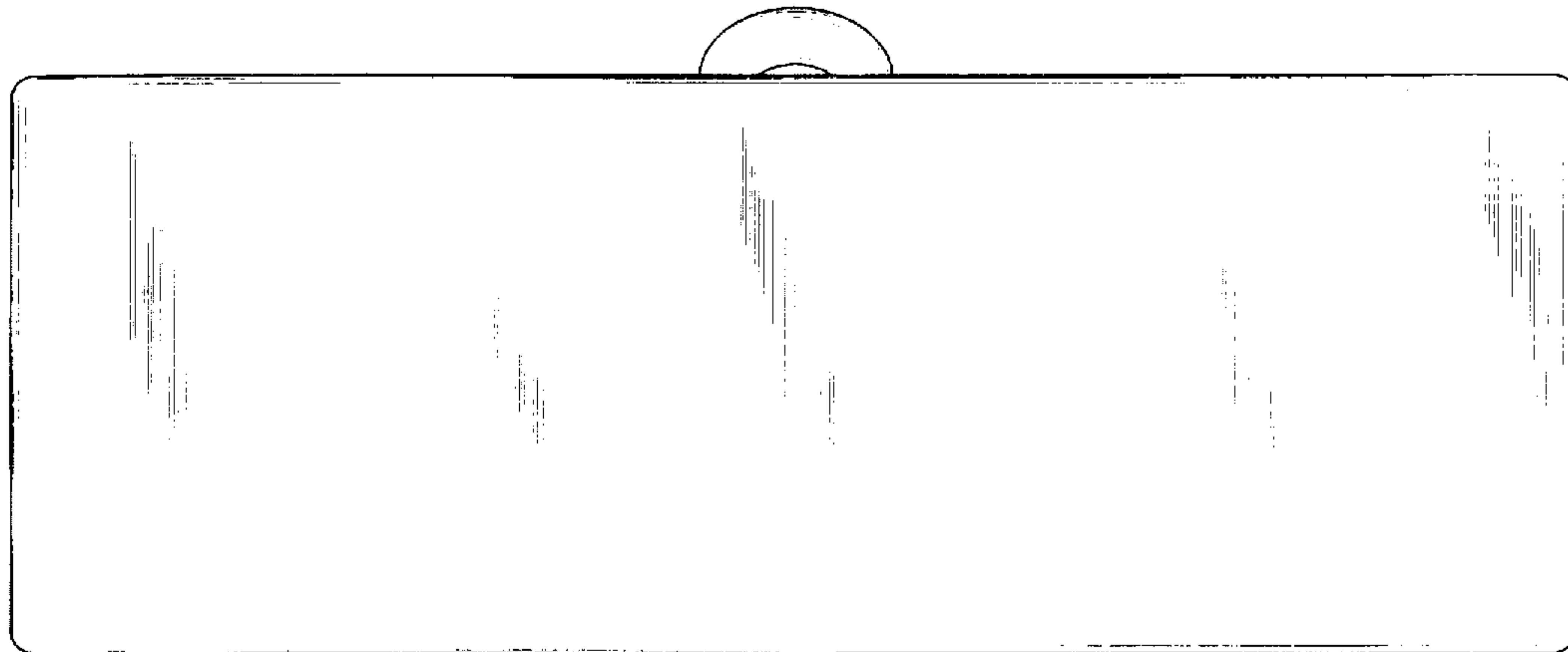


FIG. 1

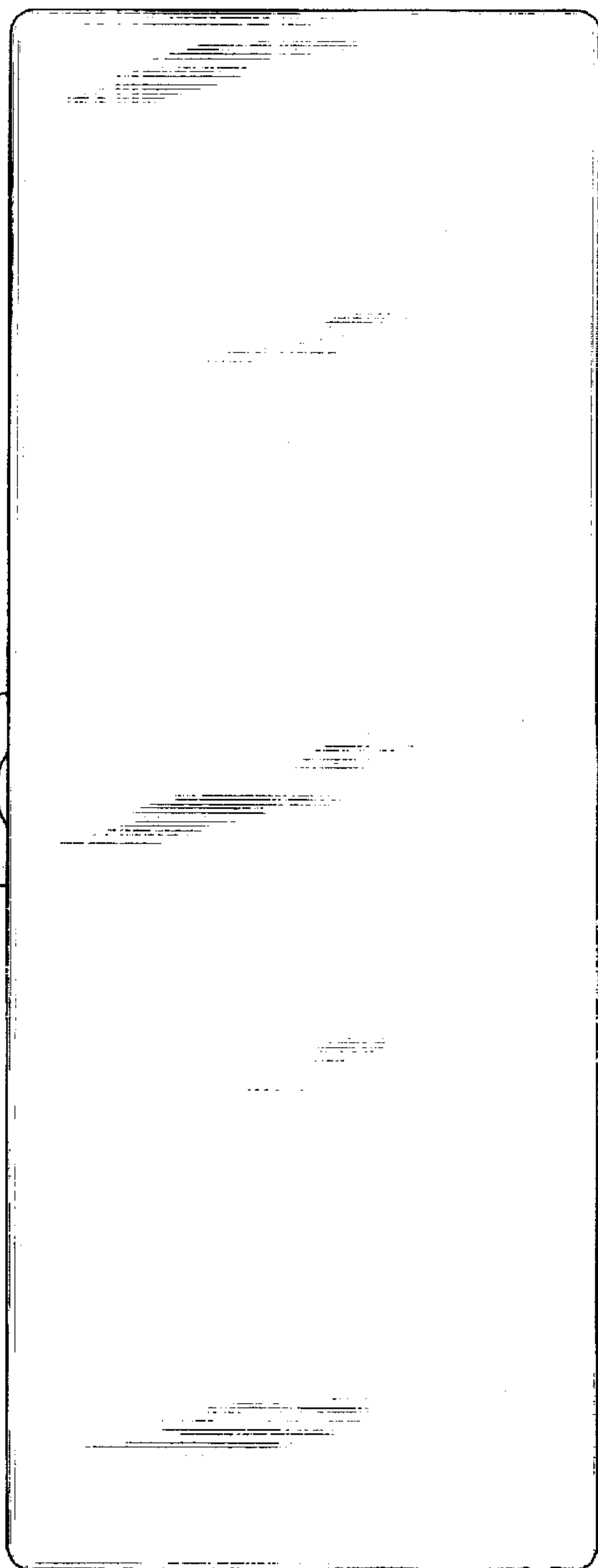


FIG. 2

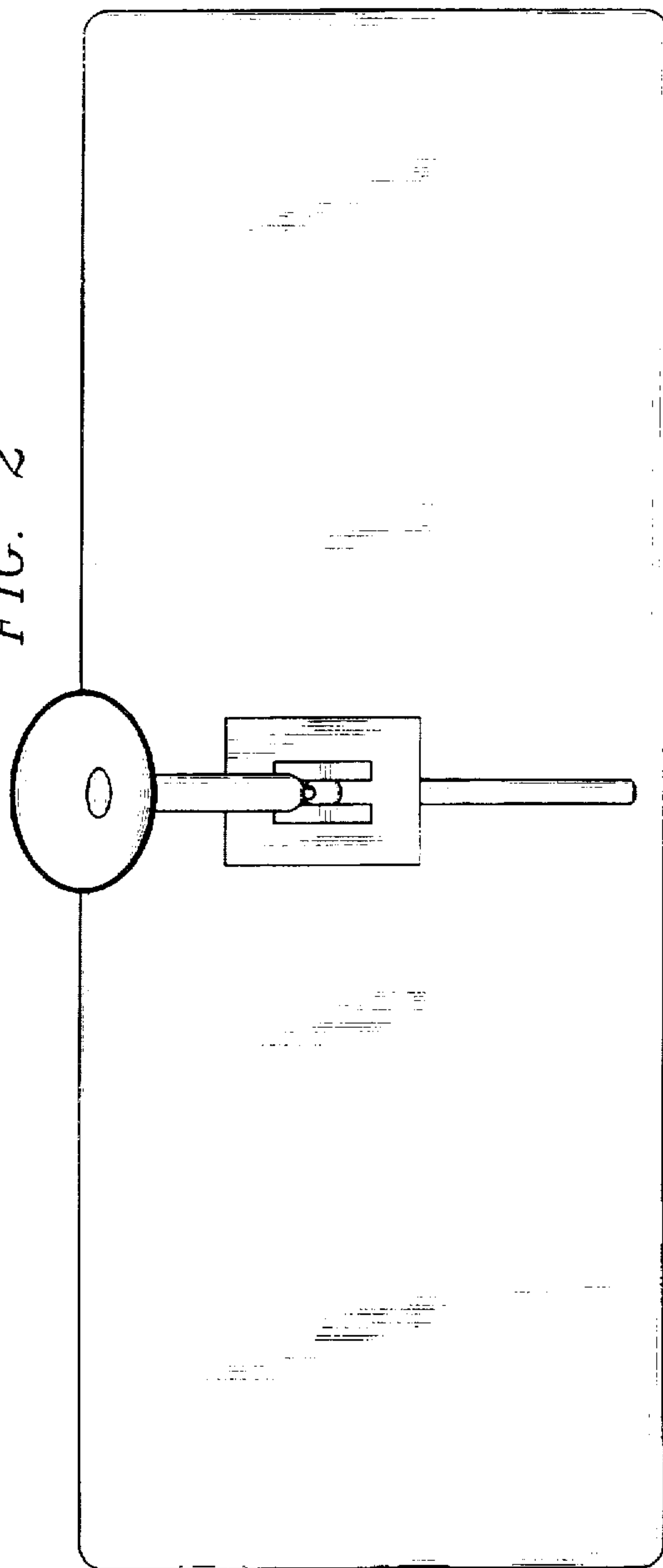


FIG. 3

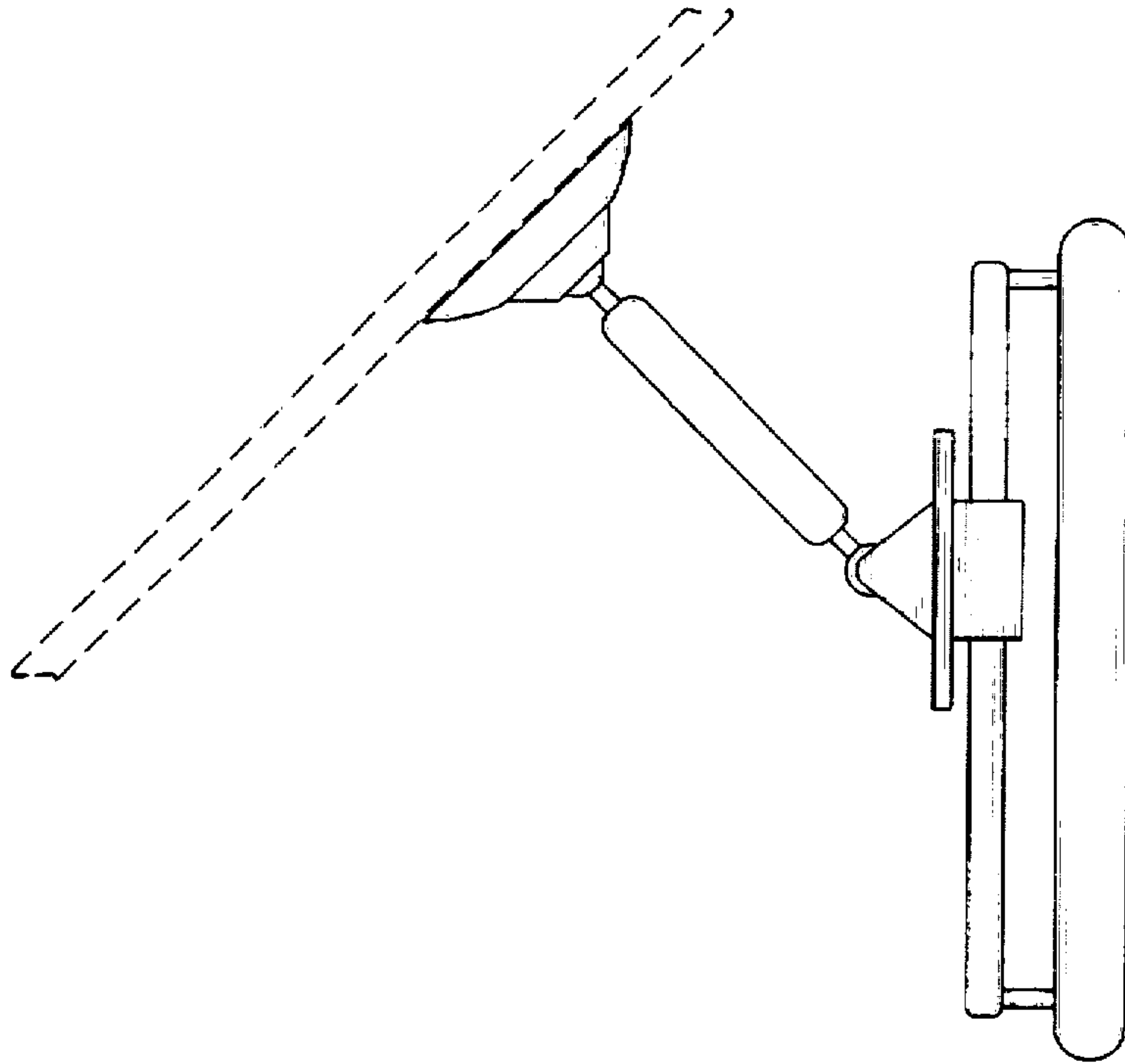


FIG. 4

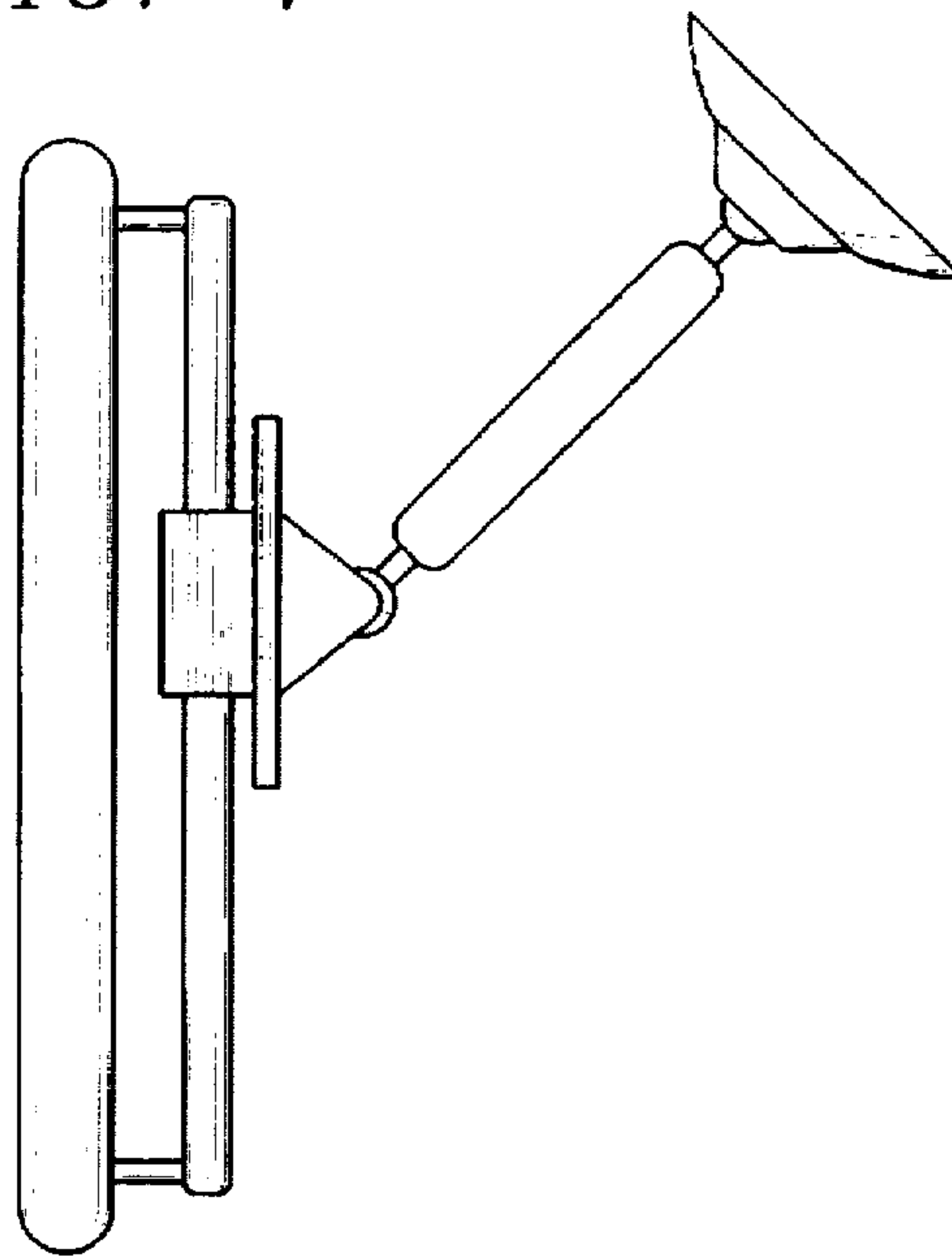


FIG. 5

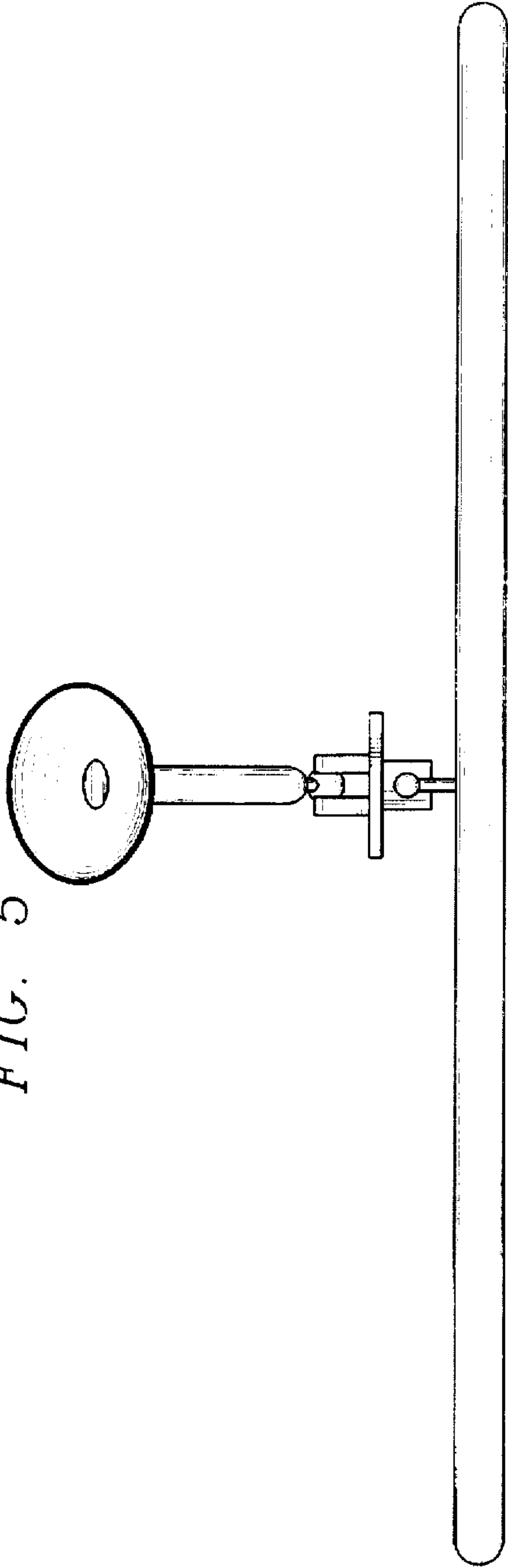


FIG. 6

