



US00D395026S

# United States Patent [19]

McCoy et al.

[11] Patent Number: Des. 395,026

[45] Date of Patent: \*\*Jun. 9, 1998

[54] BALL MOUNT

[75] Inventors: Richard McCoy, Granger; Chad A. McCoige, Mishawaka, both of Ind.

[73] Assignee: Reese Products, Inc., Elkhart, Ind.

[\*\*] Term: 14 Years

[21] Appl. No.: 61,165

[22] Filed: Oct. 17, 1996

[51] LOC (6) Cl. .... 12-16

[52] U.S. Cl. .... D12/162

[58] Field of Search ..... D12/162; 280/406.2, 280/451, 415.1, 480, 490.1, 500, 504, 511

[56] **References Cited**

**U.S. PATENT DOCUMENTS**

D. 148,269	1/1948	Askins	.....	D12/162
D. 296,886	7/1988	Young, Jr.	.....	D12/162
D. 375,284	11/1996	Kass et al.	..	
2,666,654	11/1954	Gray	.....	280/500
4,202,562	5/1980	Sorenson	.....	280/415.1
5,375,867	12/1994	Kass et al.	.....	280/406.2
5,509,681	4/1996	Keller	.....	280/415.1

5,562,298	10/1996	Kass et al.	.....	280/406.2
5,566,965	10/1996	Applegate	.....	280/500
5,628,525	5/1997	Kass et al.	.....	280/406.2

**OTHER PUBLICATIONS**

Reese Trailer Hitches and Towing Accessories Catalog: 1994; p. 9.

Primary Examiner—James Gandy  
Assistant Examiner—Robert M. Spear  
Attorney, Agent, or Firm—King and Schickli

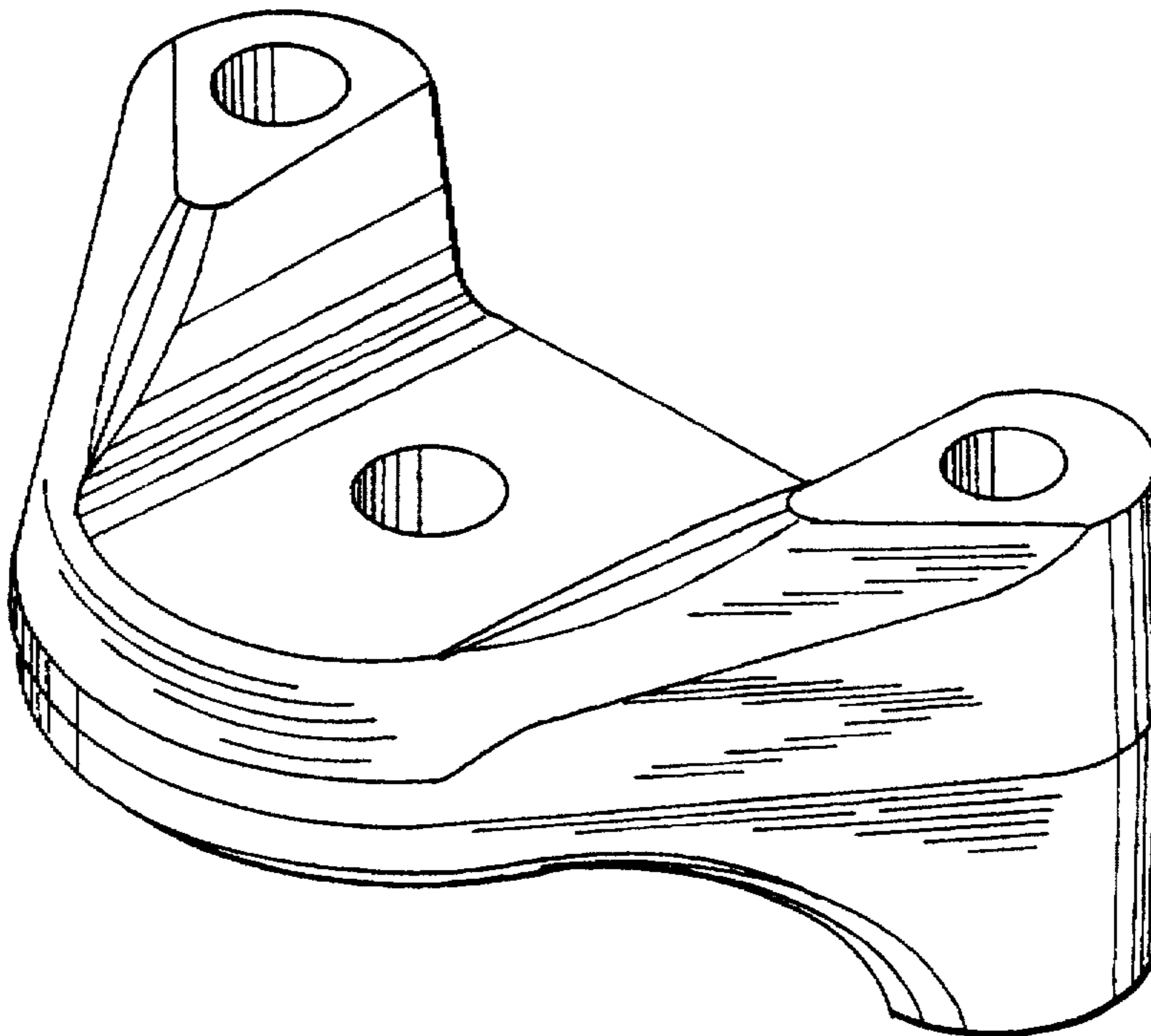
[57] **CLAIM**

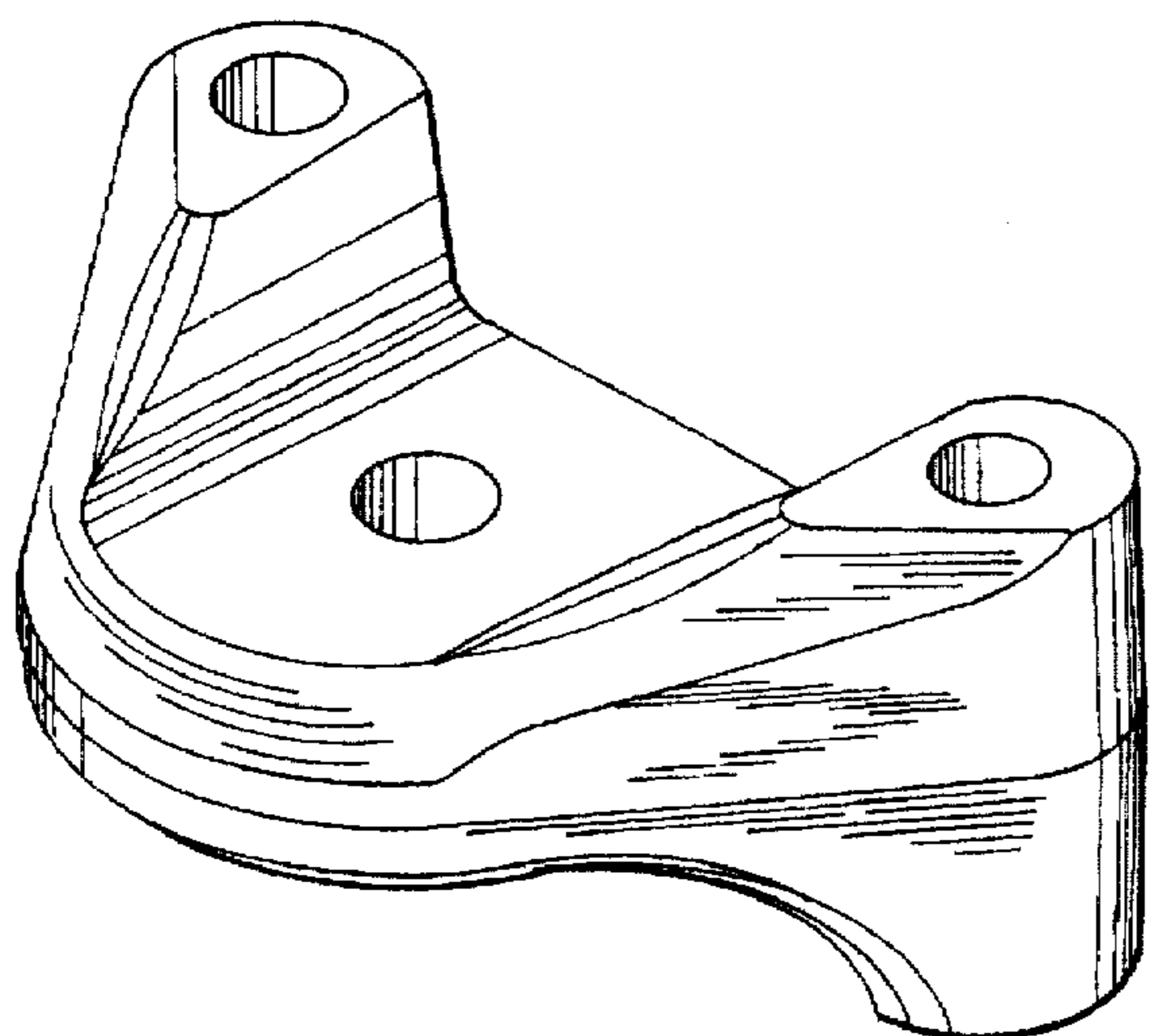
The ornamental design for a ball mount, as shown and described.

**DESCRIPTION**

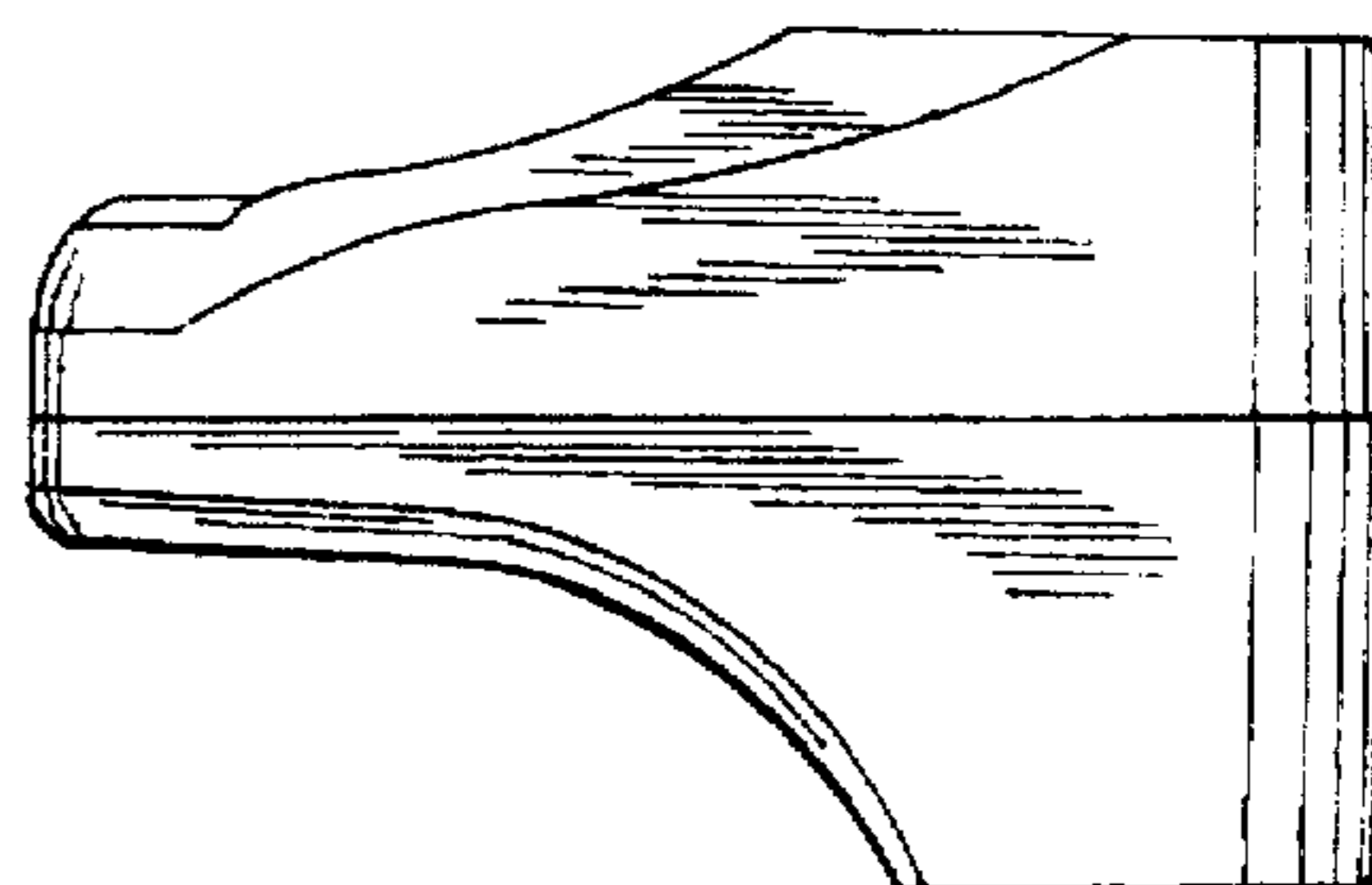
FIG. 1 is a perspective view of the ball mount of the present invention;  
FIG. 2 is a right side elevational view thereof;  
FIG. 3 is a front elevational view thereof;  
FIG. 4 is a left side elevational view thereof;  
FIG. 5 is a rear view thereof;  
FIG. 6 is a bottom plan view thereof; and,  
FIG. 7 is a top plan view thereof.

**1 Claim, 2 Drawing Sheets**

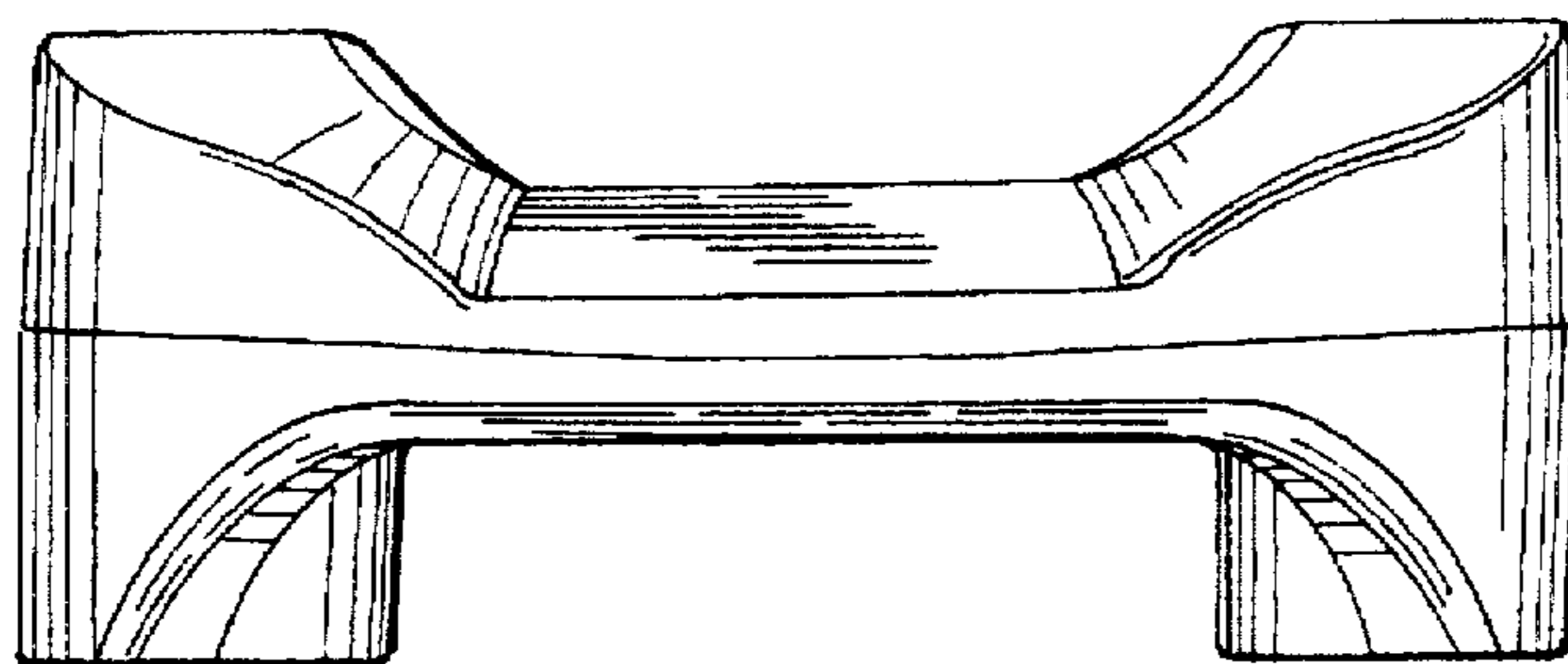




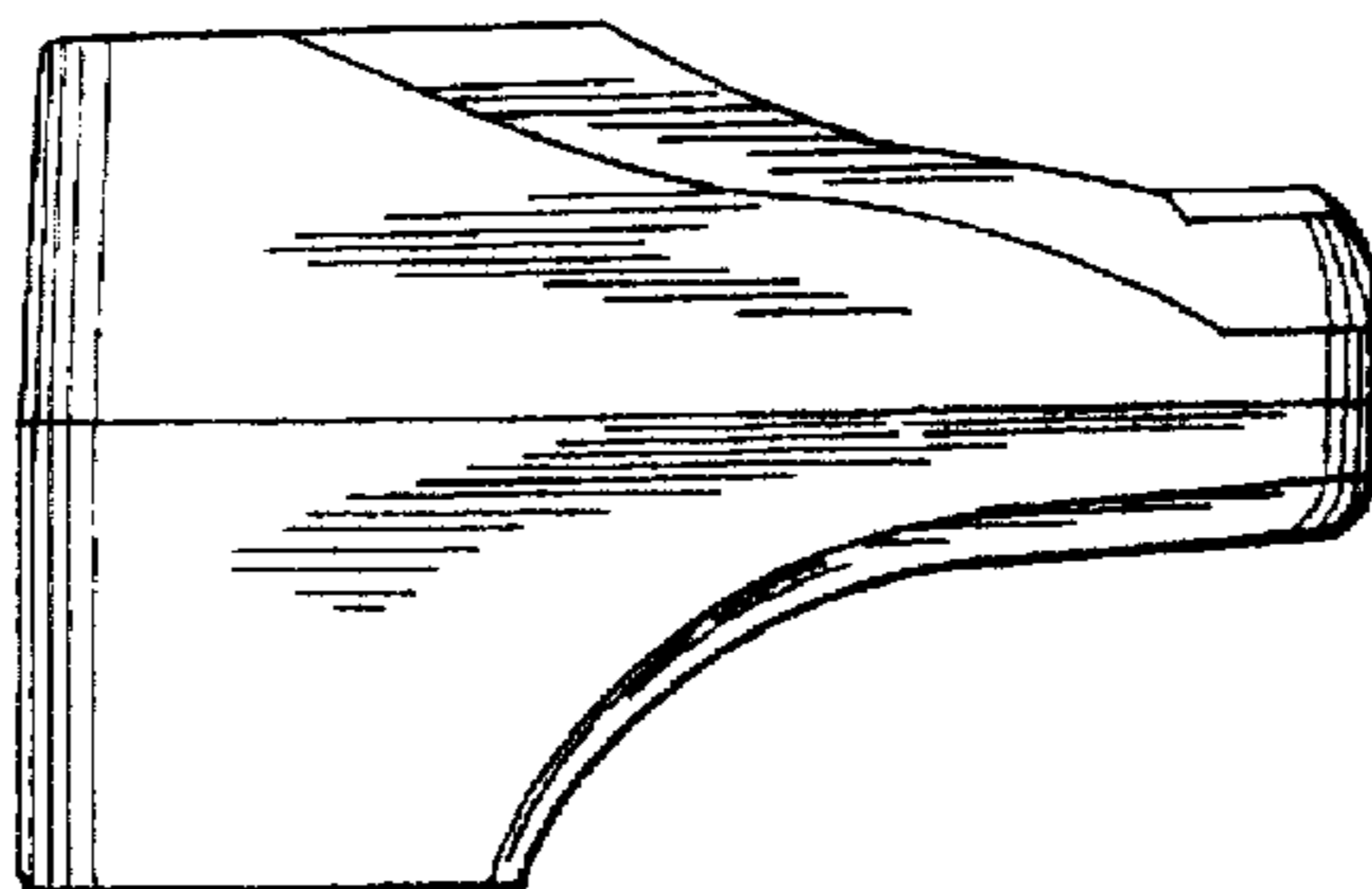
*Fig. 1*



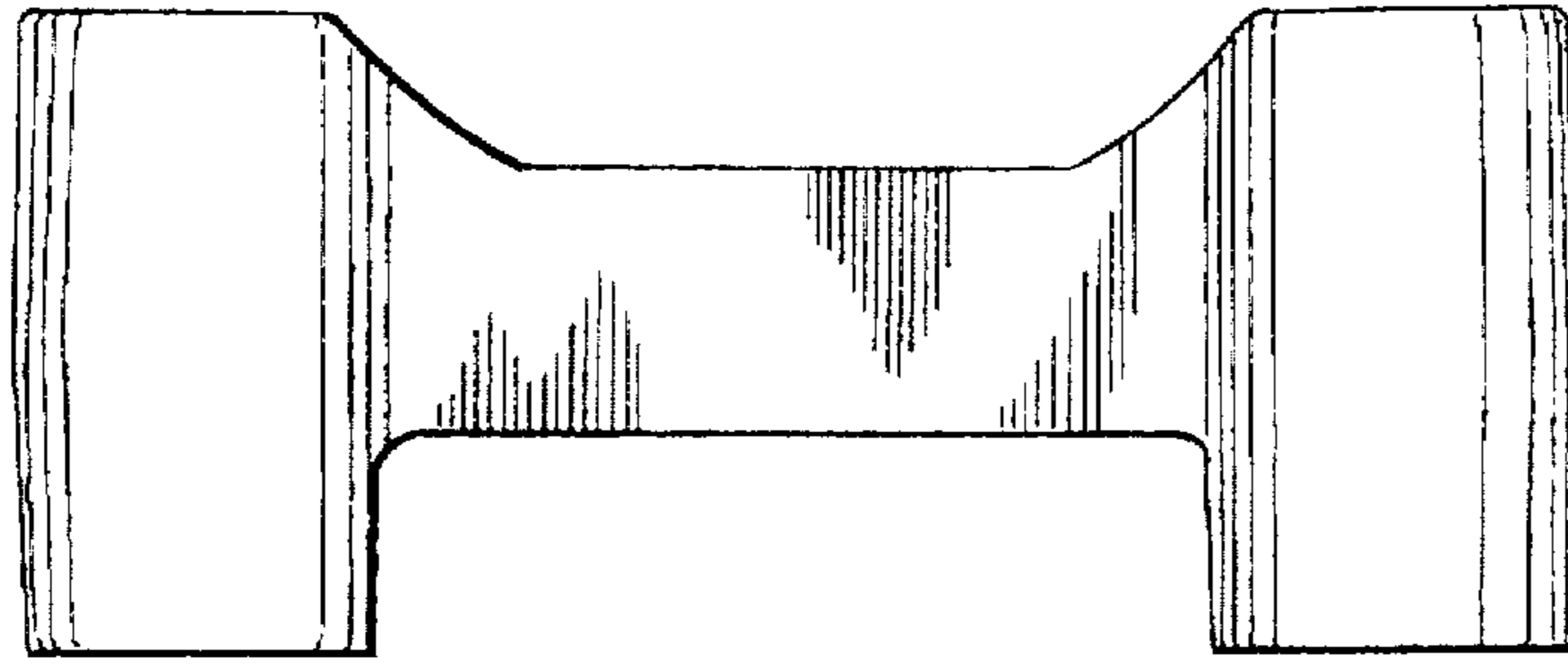
*Fig. 2*



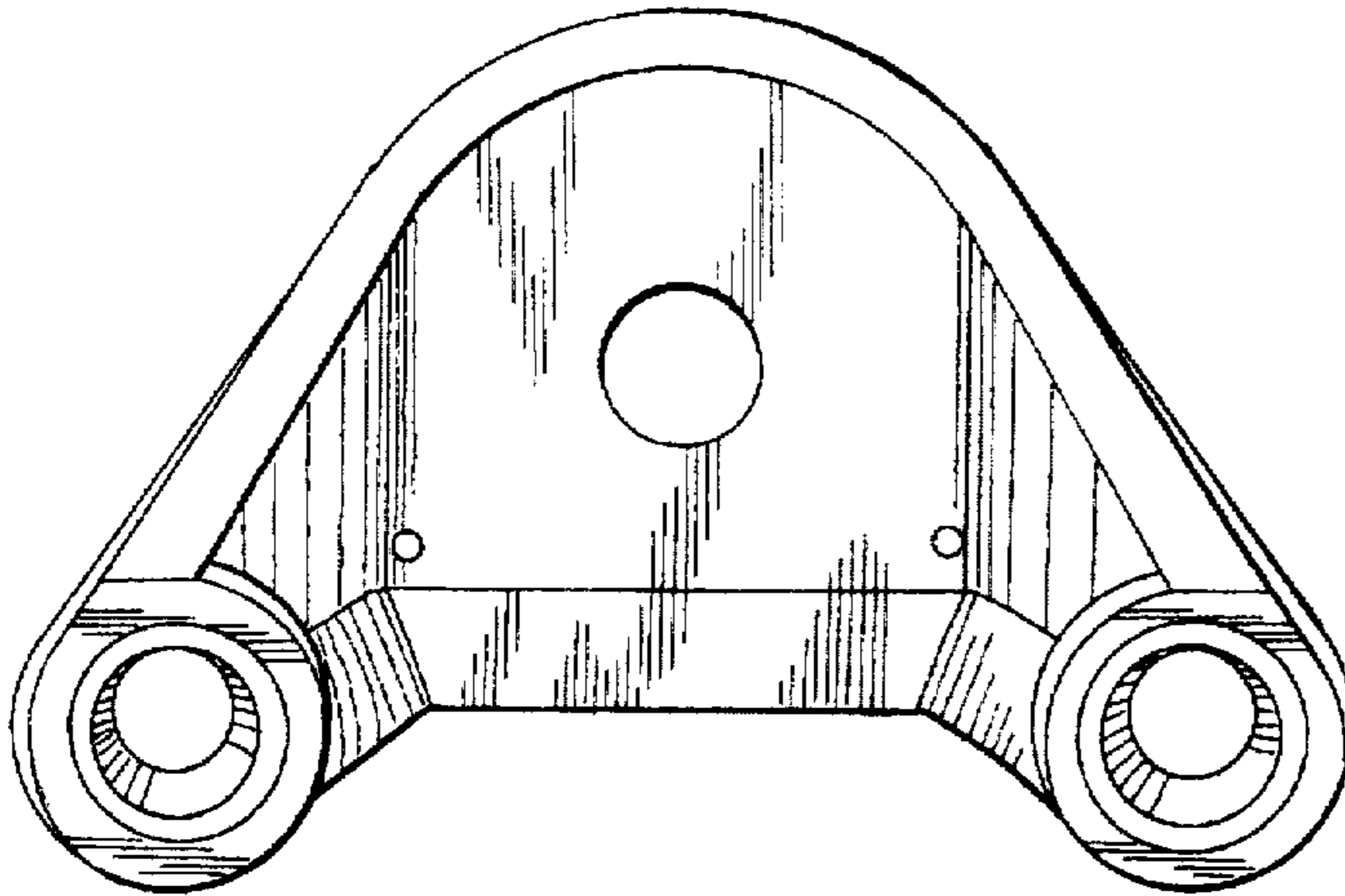
*Fig. 3*



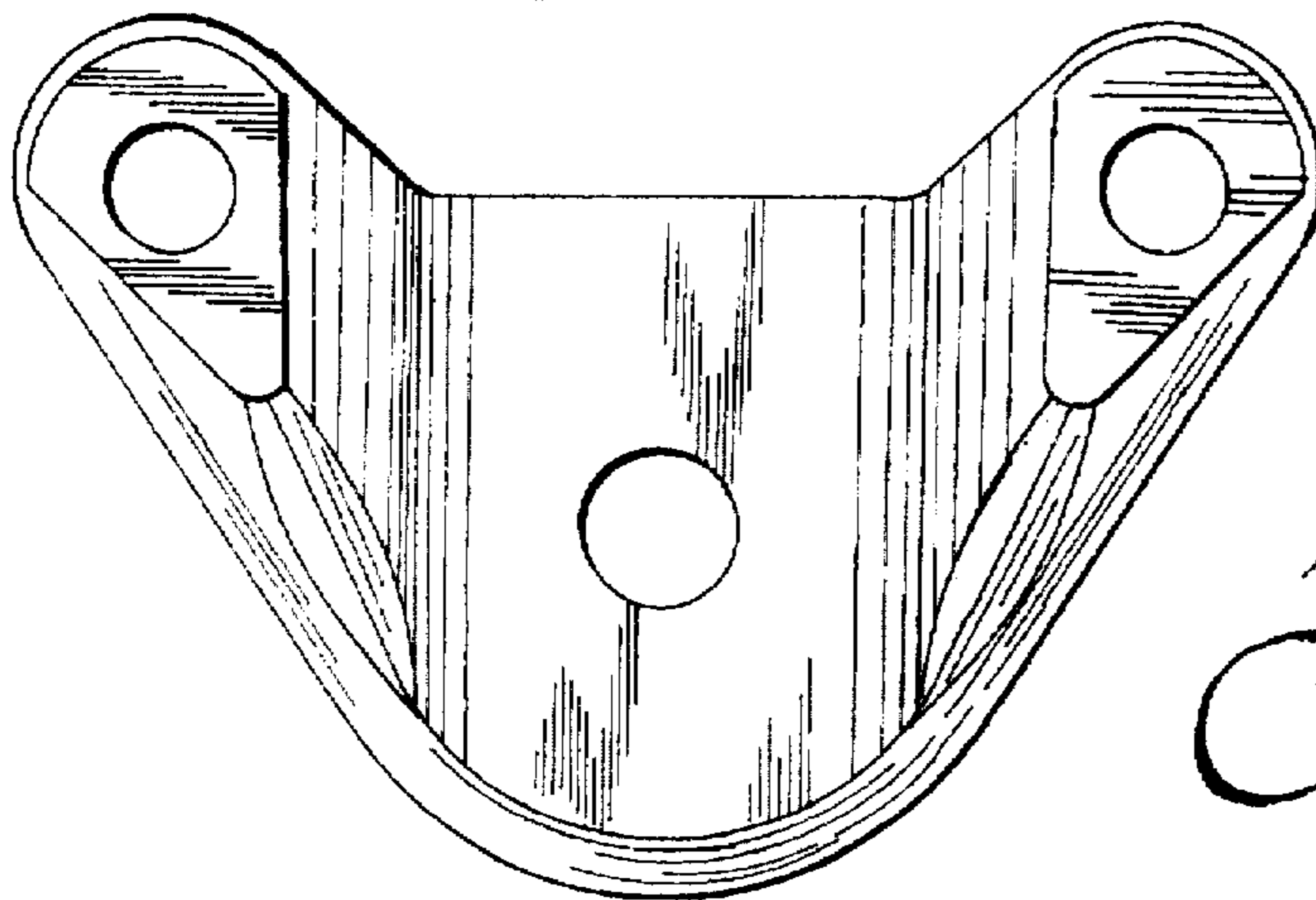
*Fig. 4*



*Fig. 5*



*Fig. 6*



*Fig. 7*