



US00D395025S

United States Patent [19]

[11] Patent Number: **Des. 395,025**

Lindenman et al.

[45] Date of Patent: *****Jun. 9, 1998**

[54] **ADJUSTABLE FIFTH WHEEL HITCH**

[75] Inventors: **Thomas W. Lindenman**, South Bend;
Richard McCoy, Granger, both of Ind.

[73] Assignee: **Reese Products, Inc.**, Elkhart, Ind.

[*] Notice: The portion of the term of this patent subsequent to Jul. 8, 2011, has been disclaimed.

[**] Term: **14 Years**

[21] Appl. No.: **57,335**

[22] Filed: **Jul. 23, 1996**

[51] LOC (6) Cl. **12-16**

[52] U.S. Cl. **D12/161; D12/162**

[58] Field of Search **D12/161, 162, D12/400; 280/415.1, 416.1, 418.1, 423.1, 433, 434, 438.1, 441, 441.1; 296/26, 37.6; 298/20 A**

3,826,516	7/1974	Weber	280/423.1
4,671,527	6/1987	Wilson et al.	298/20 A
4,721,323	1/1988	Czuk et al. .	
4,824,134	4/1989	Harris	280/423.1
4,960,288	10/1990	Chambers .	
5,056,856	10/1991	Pederson .	
5,513,869	5/1996	Putnam	280/511
5,529,329	6/1996	McCoy .	

Primary Examiner—James Gandy
Assistant Examiner—Robert M. Spear
Attorney, Agent, or Firm—King & Schickli

[57] **CLAIM**

The ornamental design for an adjustable fifth wheel hitch, as shown and described.

DESCRIPTION

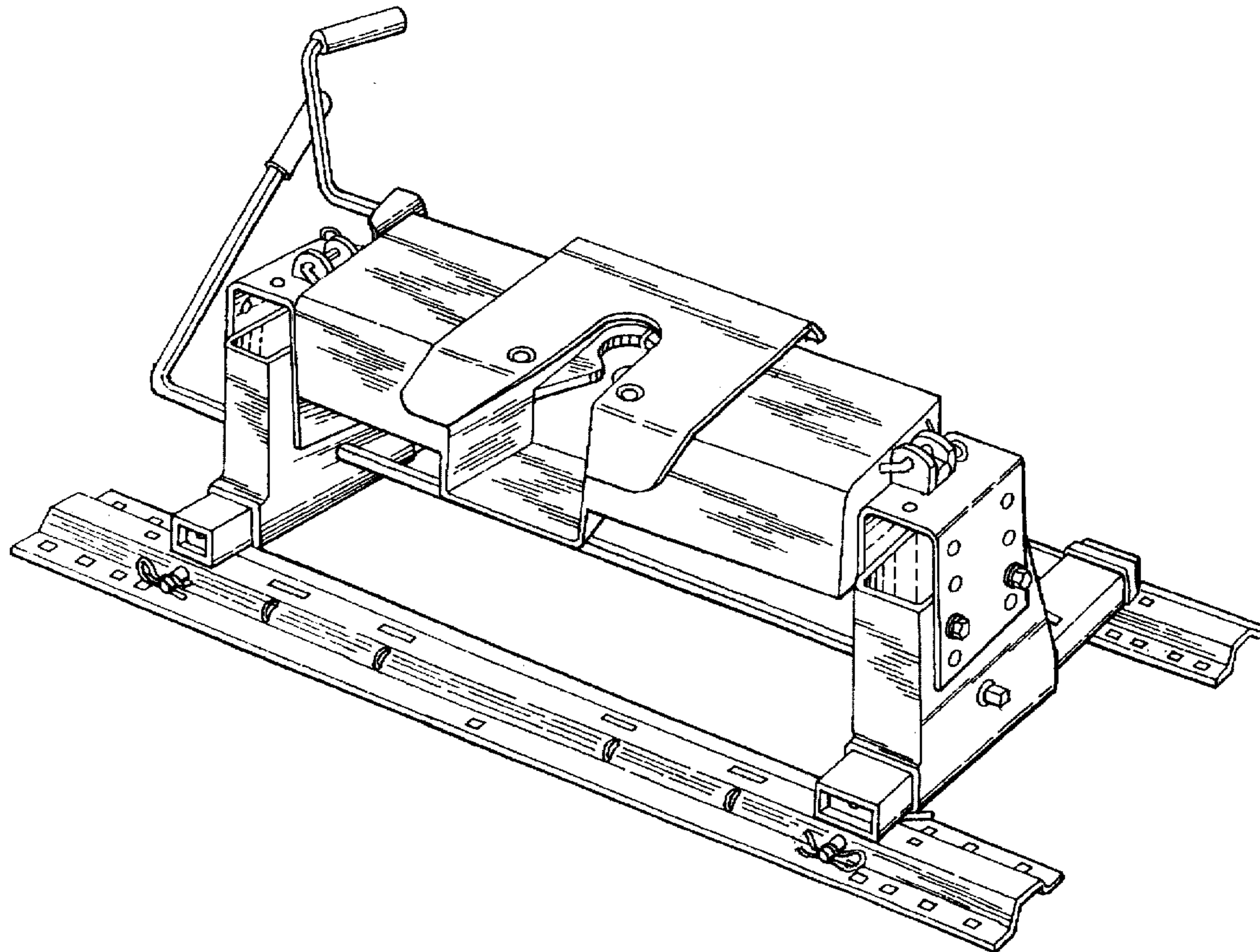
FIG. 1 is a perspective view of the adjustable fifth wheel hitch of the present invention;
FIG. 2 is a right side elevational view thereof;
FIG. 3 is a front elevational view thereof;
FIG. 4 is a left side elevational view thereof;
FIG. 5 is a rear elevational view thereof;
FIG. 6 is a top plan view thereof; and,
FIG. 7 is a bottom plan view thereof.

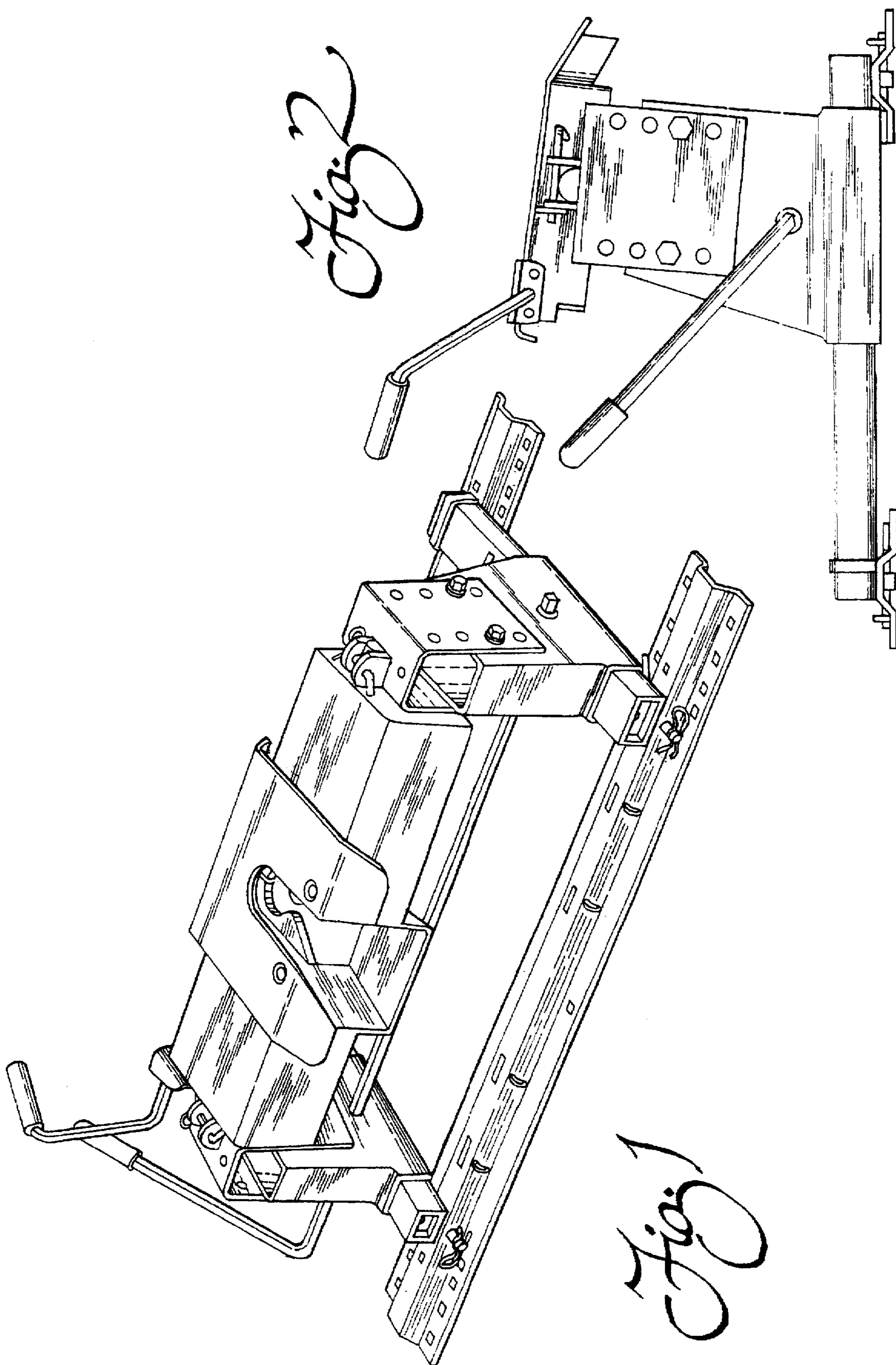
[56] **References Cited**

U.S. PATENT DOCUMENTS

- D. 196,572 10/1963 Harbers .
- D. 317,743 6/1991 Chambers .

1 Claim, 6 Drawing Sheets





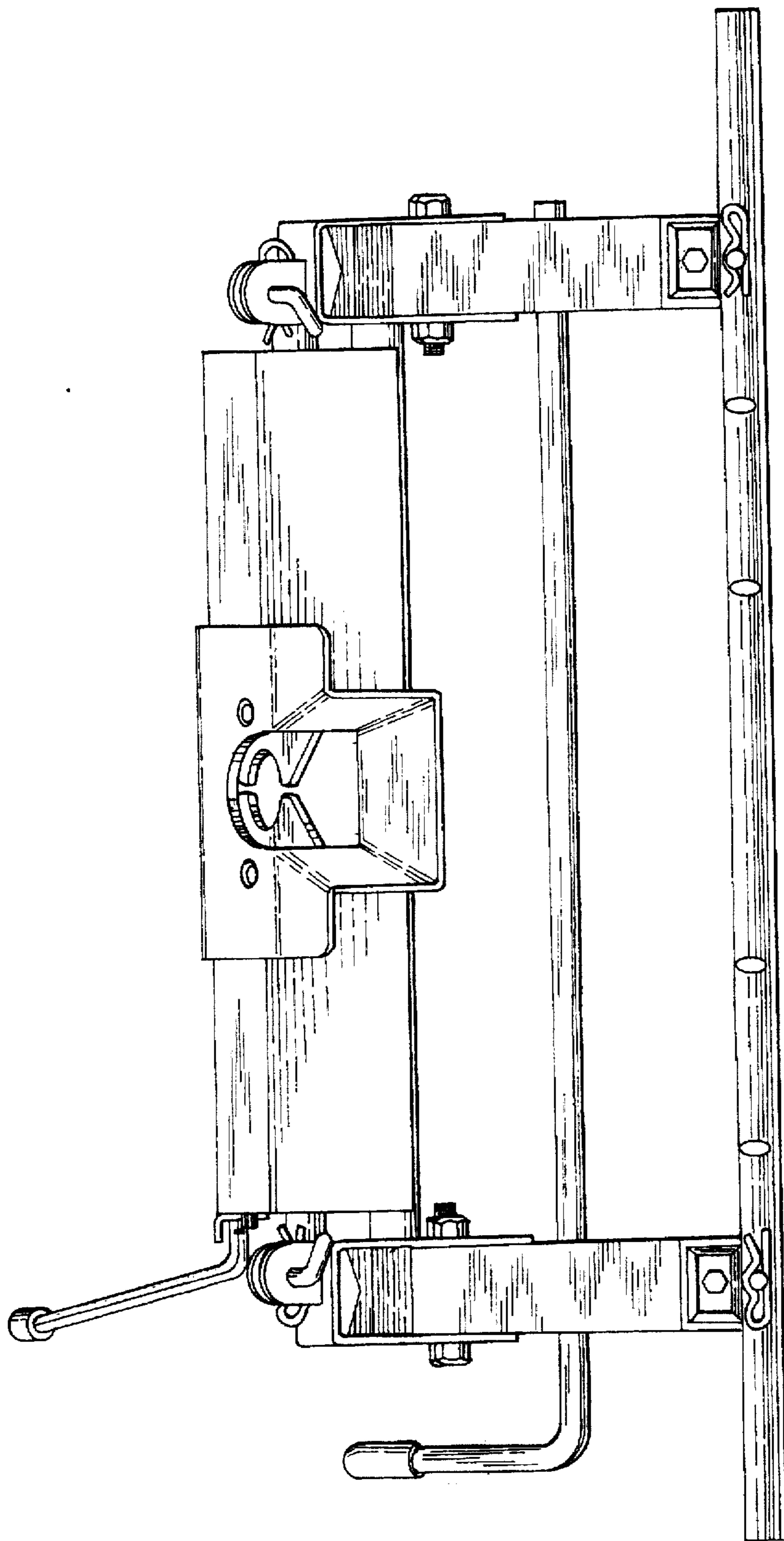


Fig. 5

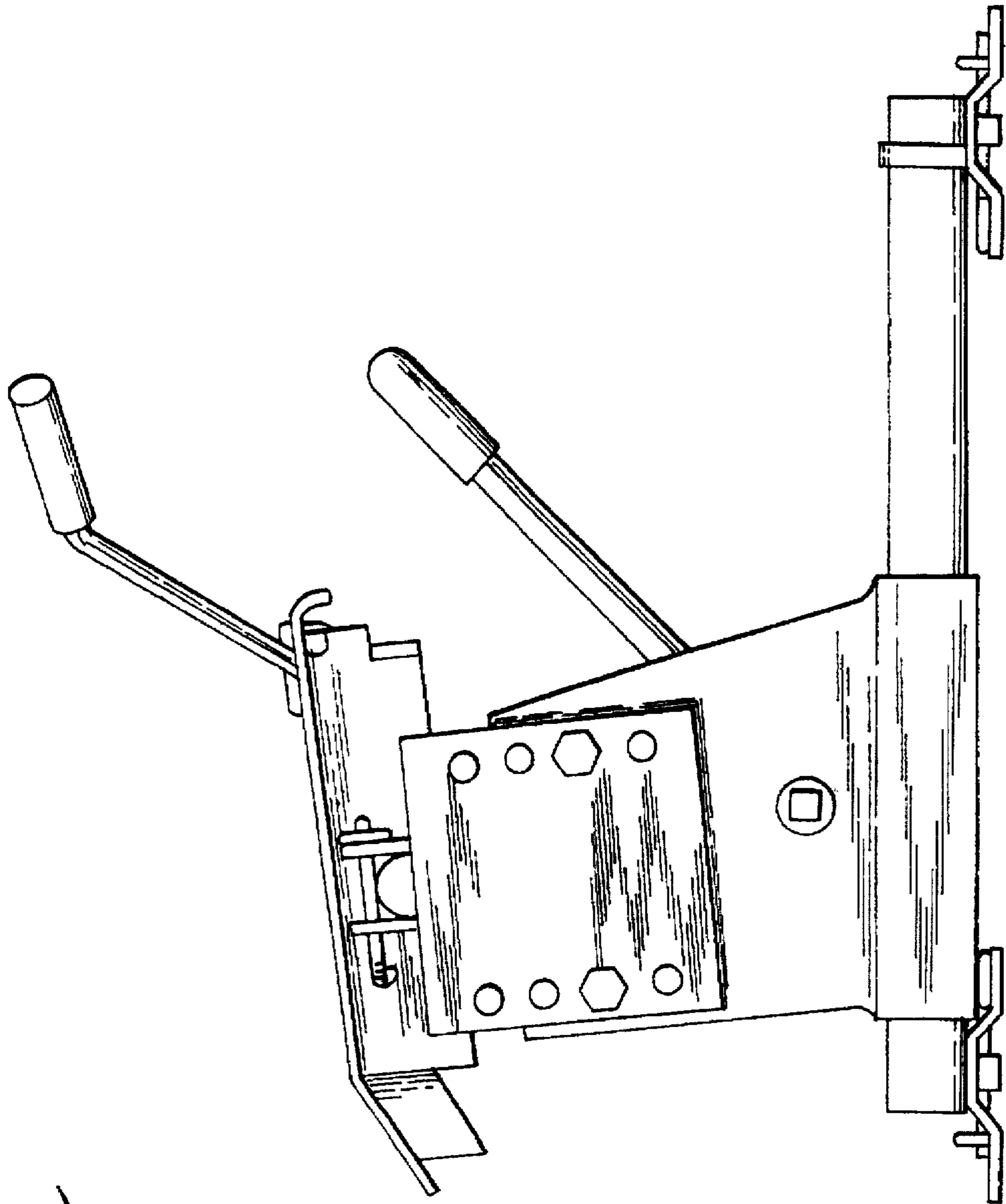


Fig. 21

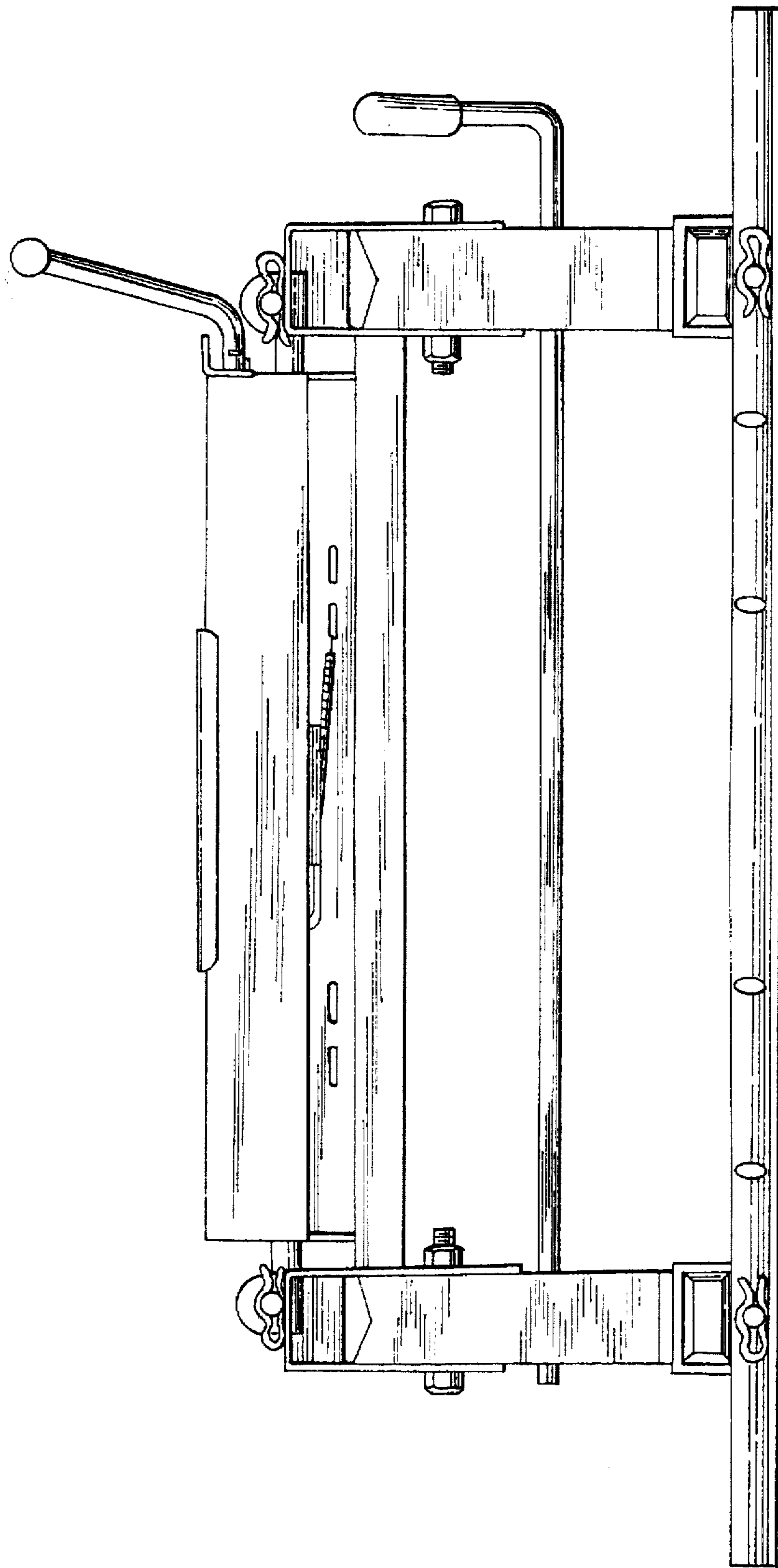


Fig 5

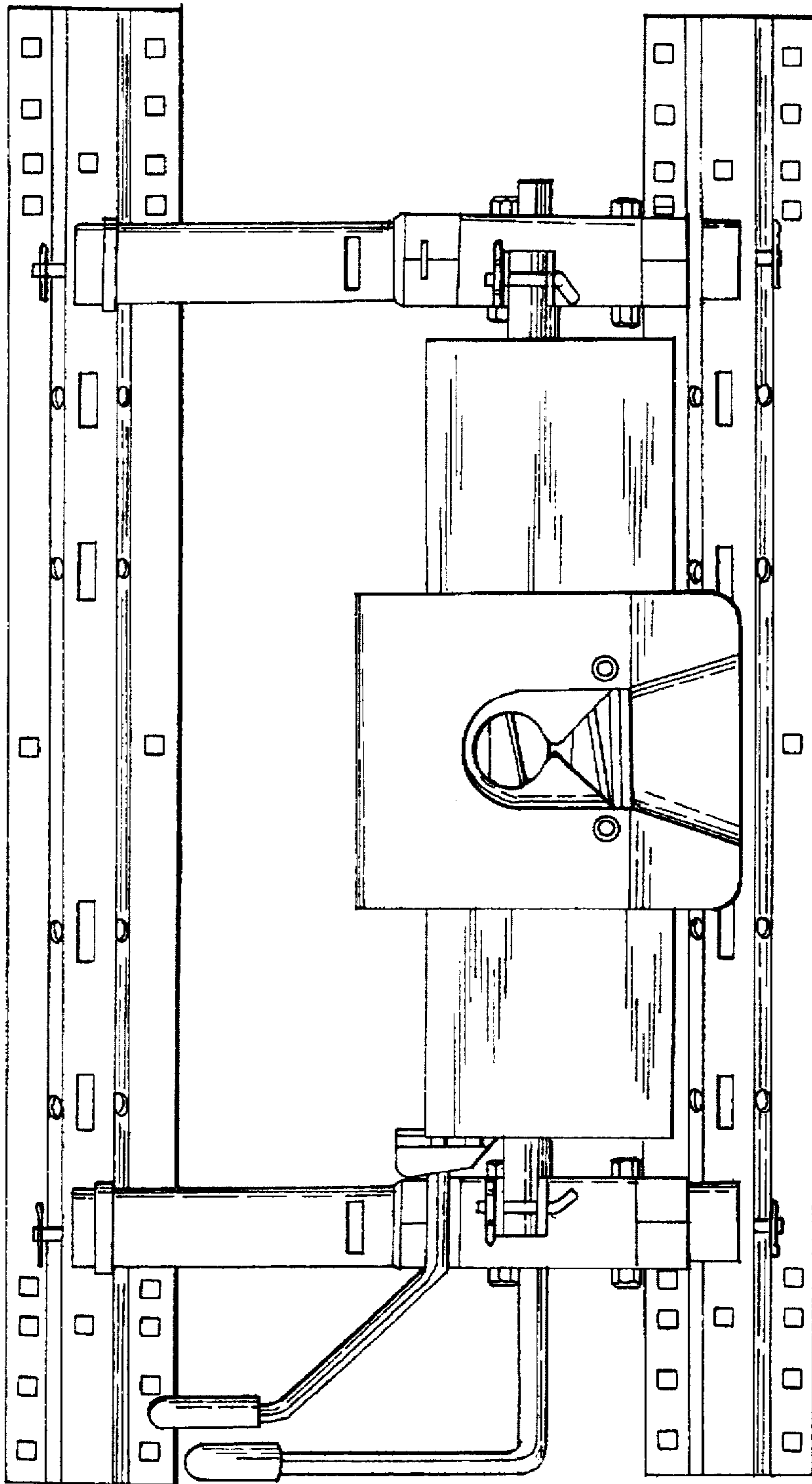


Fig. 6

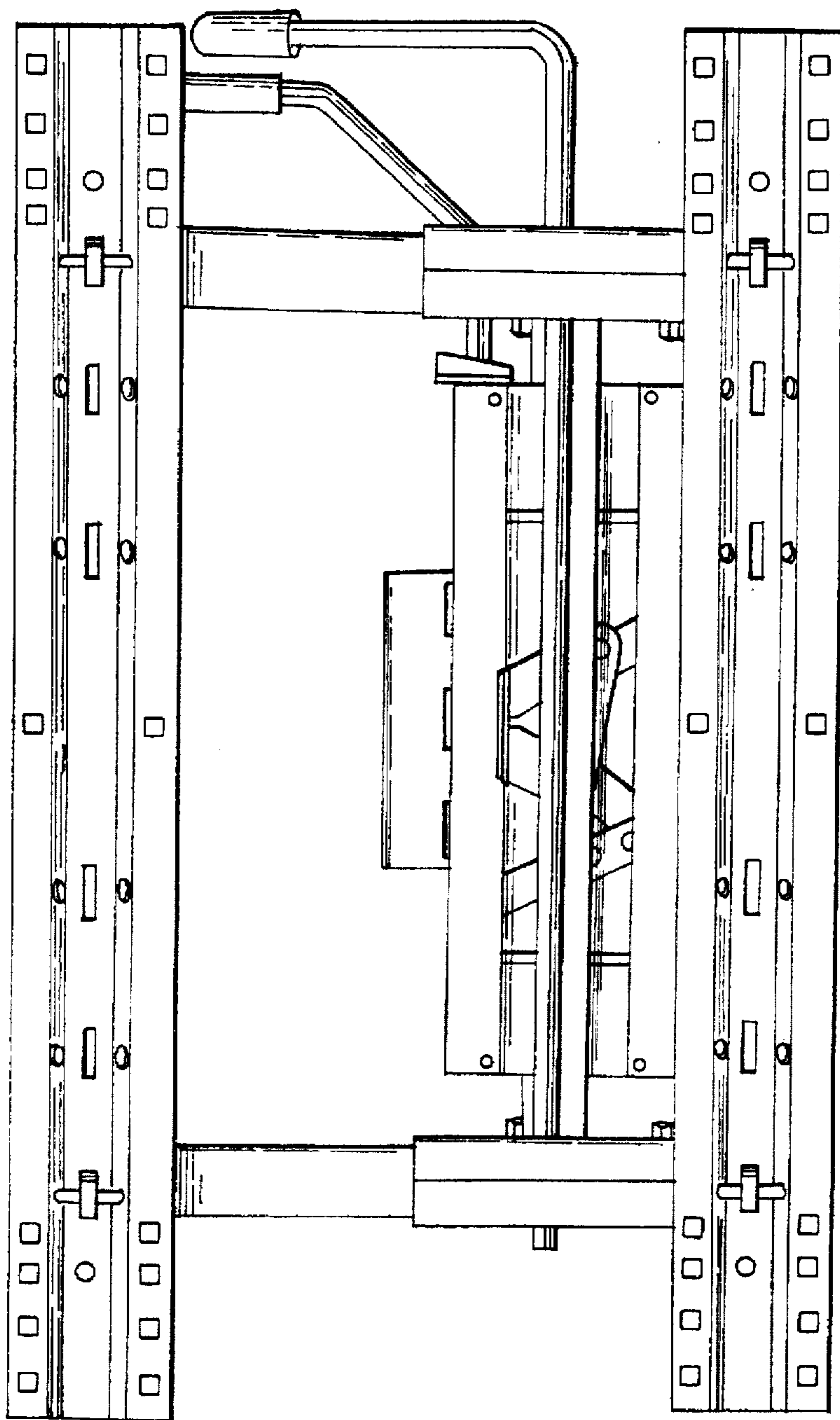


Fig. 7