



US00D395023S

United States Patent [19]
Hikida

[11] **Patent Number:** **Des. 395,023**
[45] **Date of Patent:** ****Jun. 9, 1998**

[54] **GOLF CAR**

[75] **Inventor:** **Akihiko Hikida**, Venice, Calif.
[73] **Assignee:** **Yamaha Hatsudoki Kabushiki Kasha**,
Iwata, Japan
[**] **Term:** **14 Years**

[21] **Appl. No.:** **385,782**
[22] **Filed:** **Jul. 26, 1989**

[51] **LOC (6) Cl.** **12-02**
[52] **U.S. Cl.** **D12/16**
[58] **Field of Search** **D12/16; 280/DIG. 5;**
296/186

[56] **References Cited**

U.S. PATENT DOCUMENTS

D. 245,242 8/1977 Stolley D12/16
D. 271,008 10/1983 Saporito D12/16

OTHER PUBLICATIONS

Westinghouse Brochure, Jan. 1971, front cover page, an electric golf car with surrey top .
Club Car, Inc Brochure, Jan. 1971, front cover page, the Caroche golf car.

Primary Examiner—Wallace R. Burke
Assistant Examiner—Melody Brown
Attorney, Agent, or Firm—Ernest A. Beutler

[57] **CLAIM**

The ornamental design for a golf car, as shown.

DESCRIPTION

FIG. 1 is a front side perspective view of a golf car embodying the new design;
FIG. 2 is a side elevational view thereof;
FIG. 3 is a side elevational view of the other side thereof;
FIG. 4 is a front elevational plan view thereof;
FIG. 5 is a rear elevational plan view thereof; and,
FIG. 6 is a top plan view thereof.

1 Claim, 5 Drawing Sheets

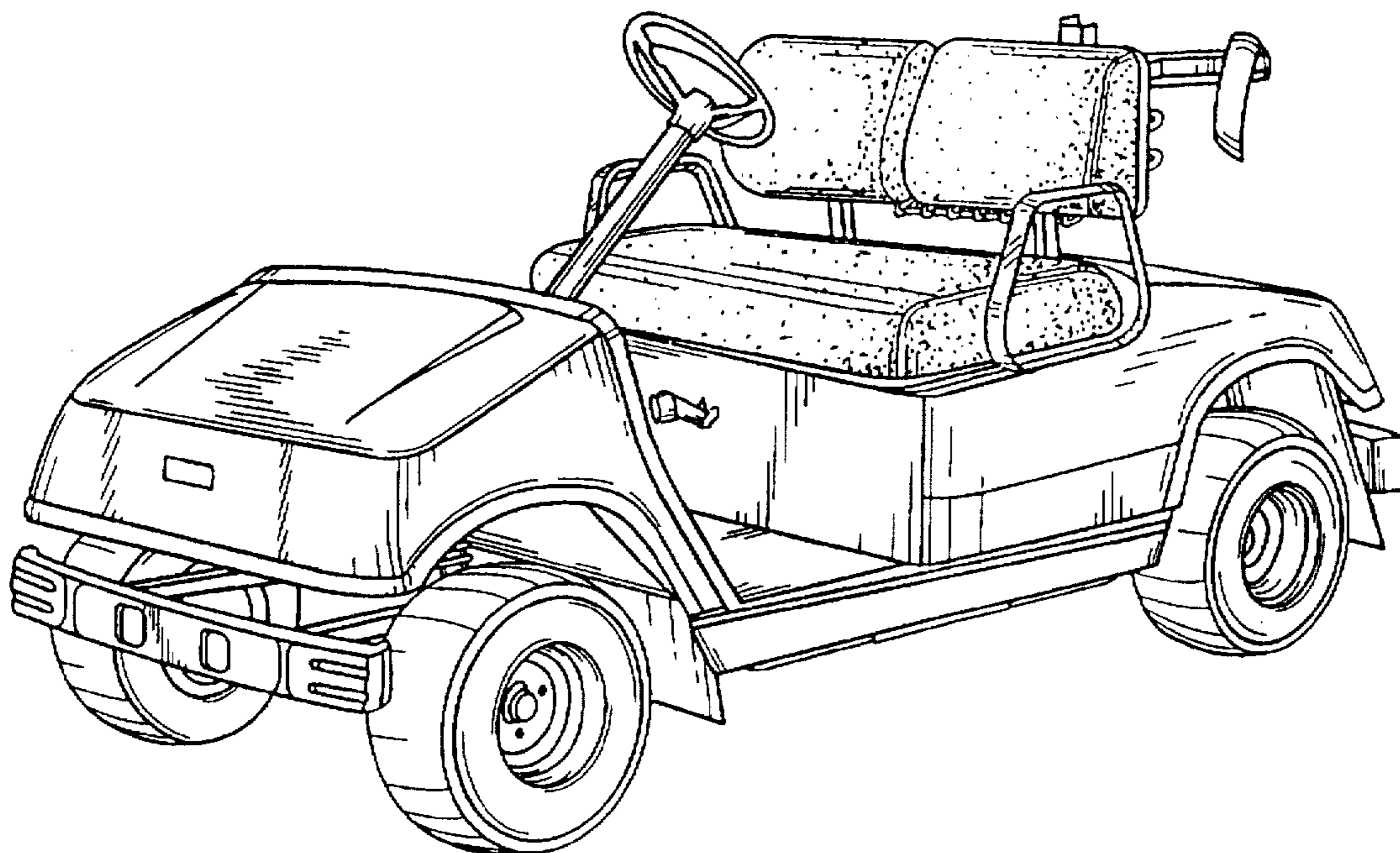


Figure 1

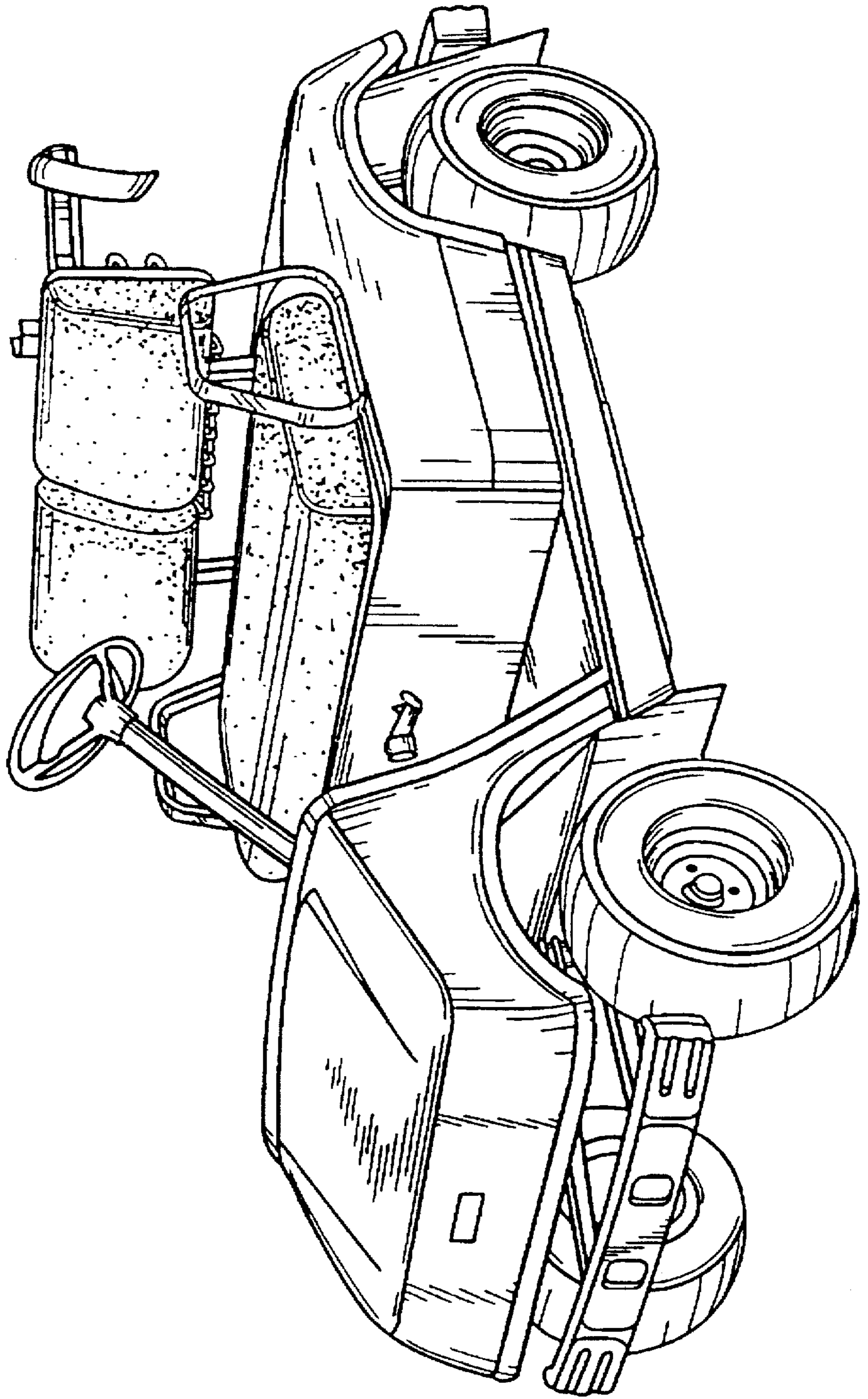


Figure 2

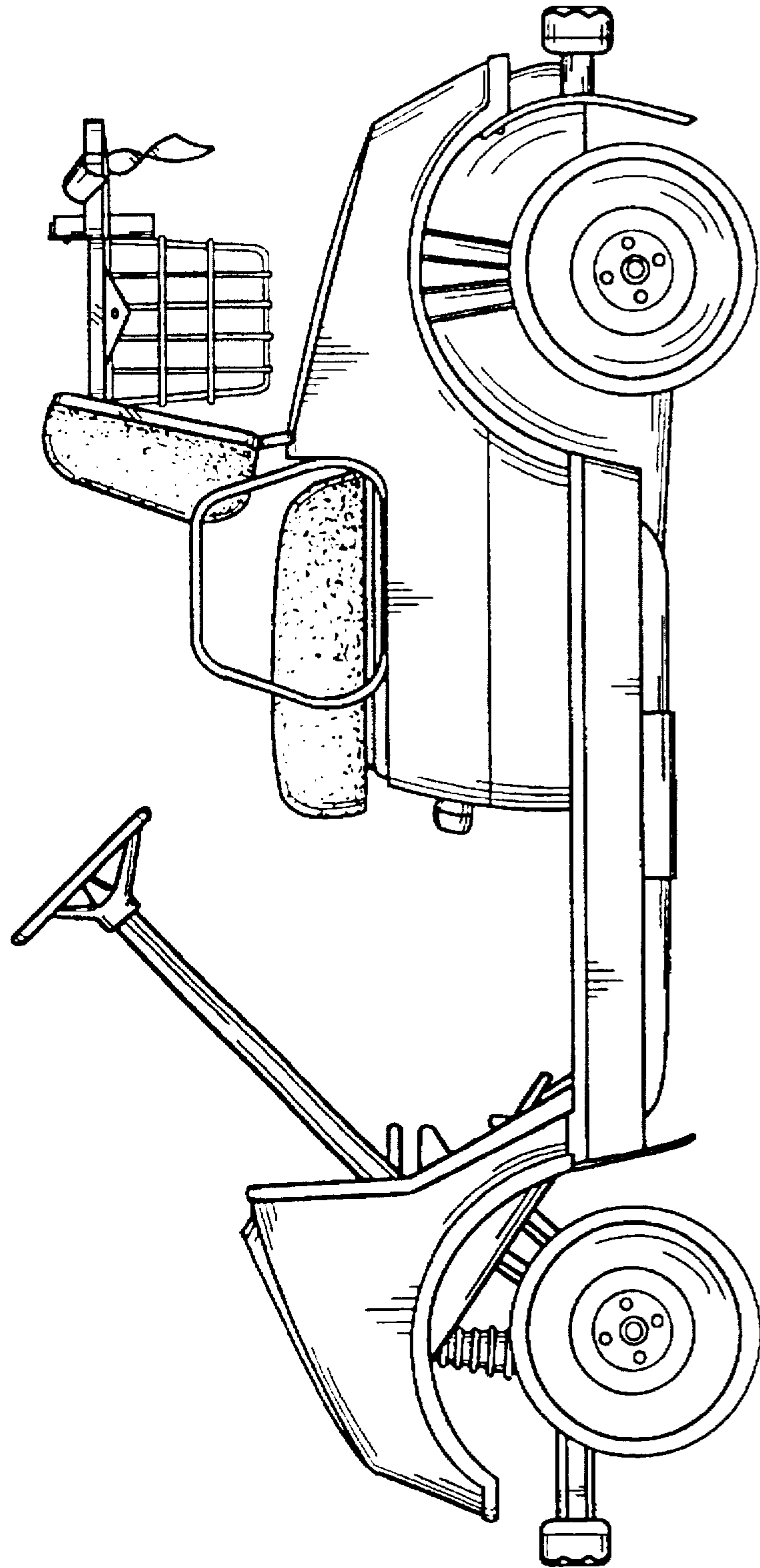


Figure 3

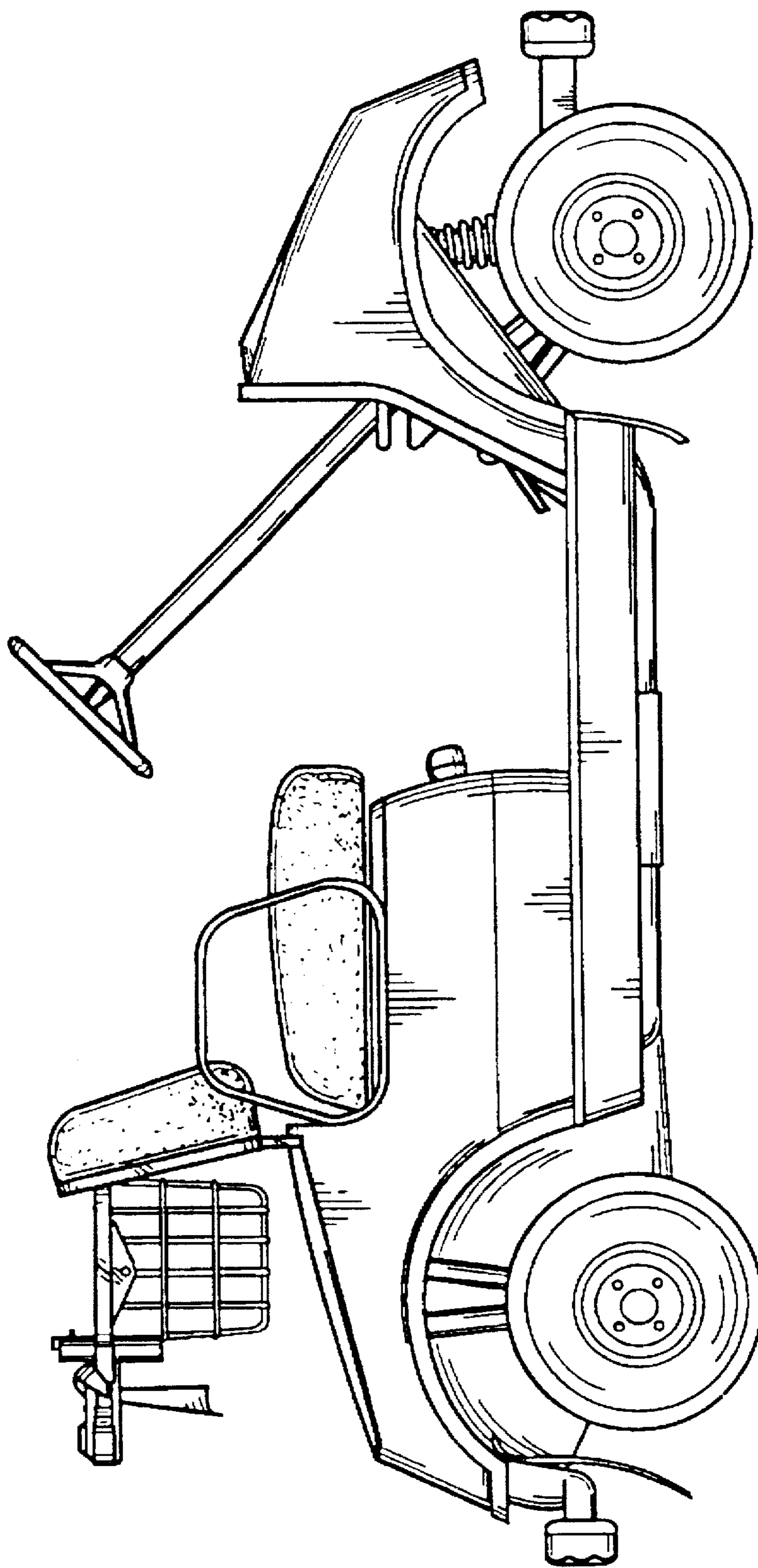


Figure 5

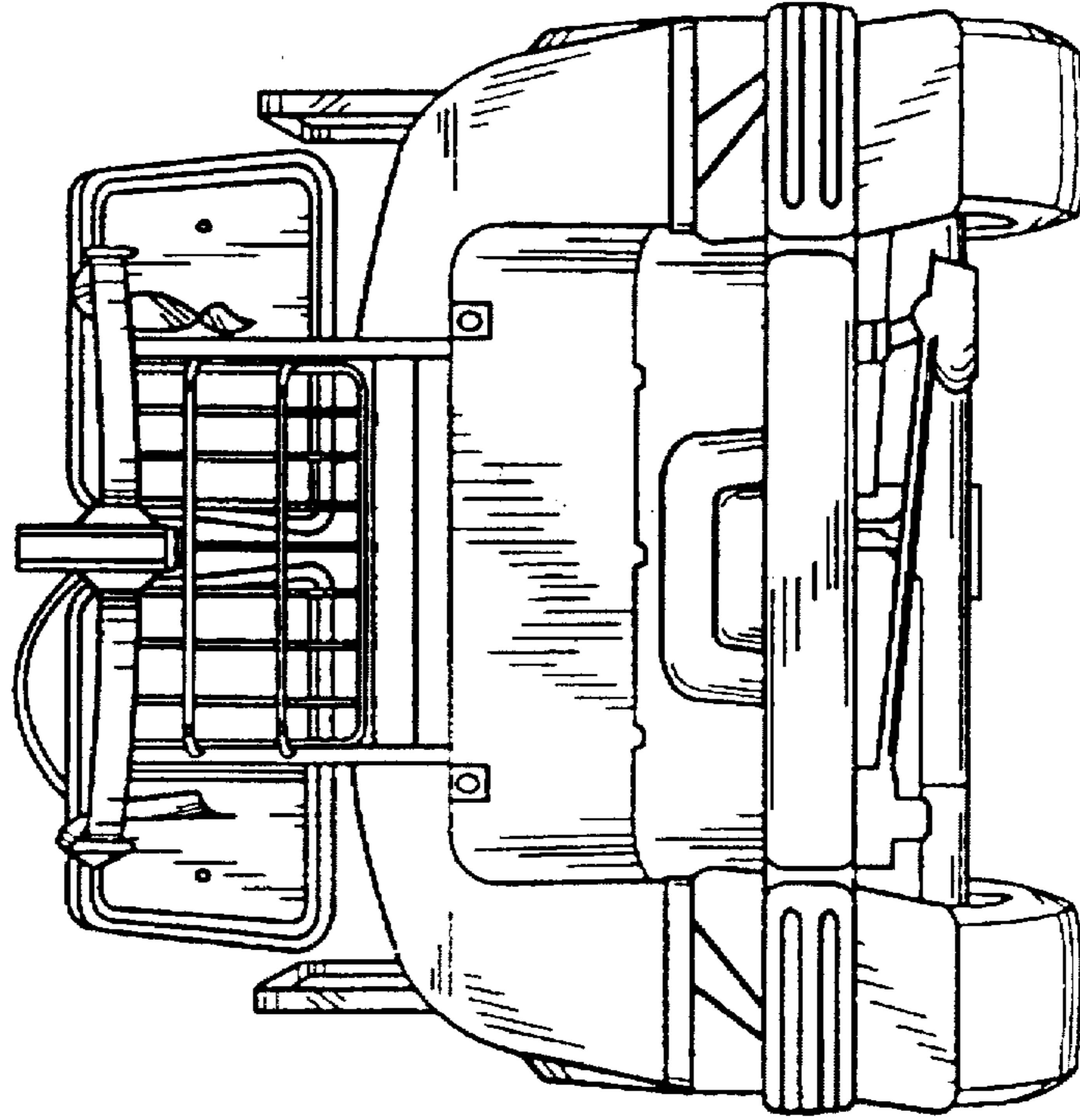


Figure 4

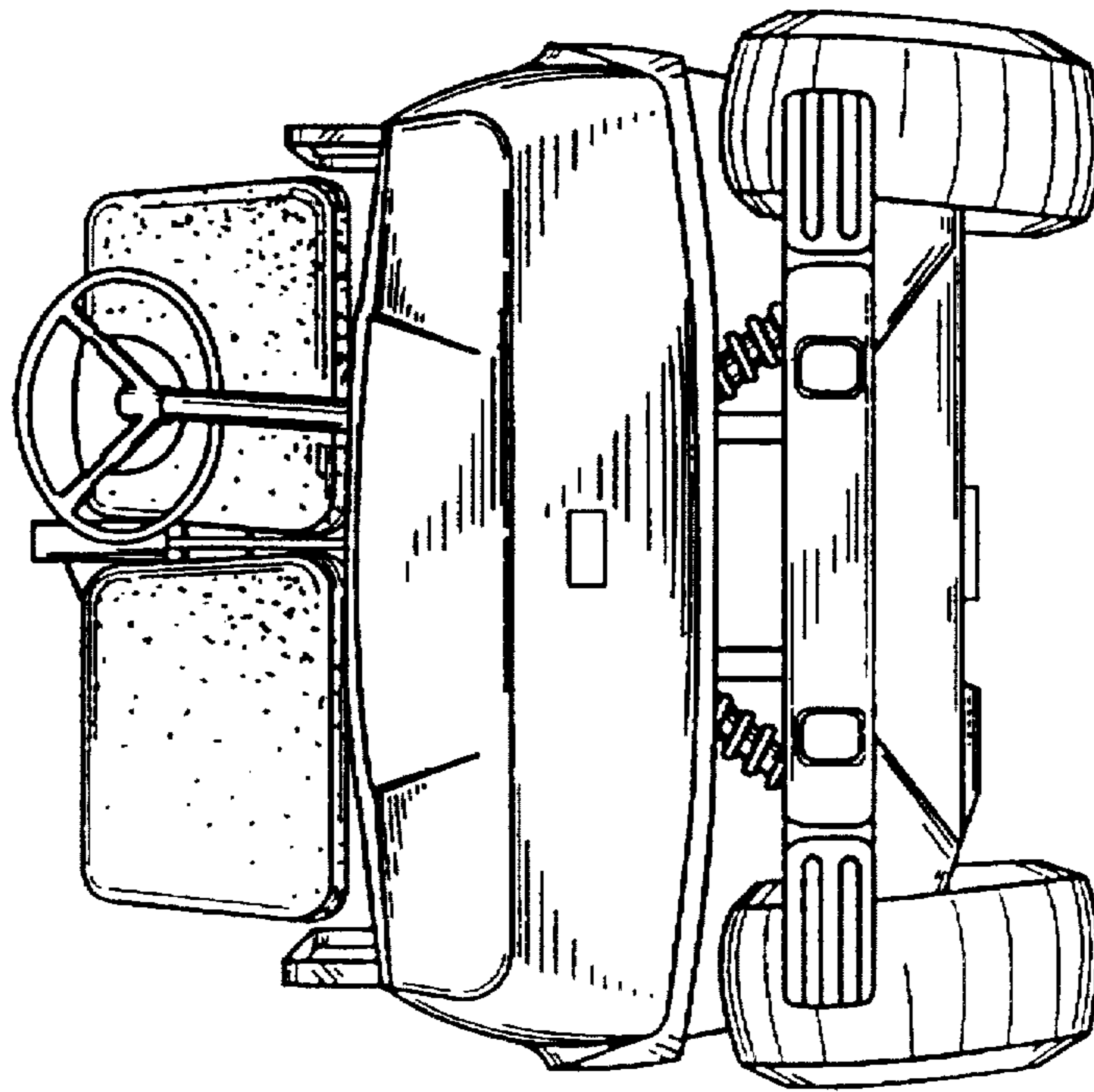


Figure 6

