



US00D395020S

United States Patent [19]

Reichow et al.

[11] Patent Number: **Des. 395,020**

[45] Date of Patent: ****Jun. 9, 1998**

[54] SCALE METER

[75] Inventors: **Keith W. Reichow, Kent; Byron Mucke, Renton; Bill Zimmerman, Seattle, all of Wash.**

[73] Assignee: **Stress-Tek, Inc., Kent, Wash.**

[**] Term: **14 Years**

[21] Appl. No.: **67,510**

[22] Filed: **Mar. 6, 1997**

[51] LOC (6) Cl. **10-04**

[52] U.S. Cl. **D10/94**

[58] Field of Search D10/94, 91, 93, D10/103; D14/113; 116/DIG. 32; 177/238-241, 25.13, 25.15-25.18; 340/870.02, 870.03, 870.06, 870.11, 870.12, 870.13, 870.14, 870.15; 364/464.02, 567

[56] **References Cited**

U.S. PATENT DOCUMENTS

D. 307,873	5/1990	Hart et al.	D10/94
D. 308,346	6/1990	Nakagawa et al.	D10/94
D. 313,565	1/1991	Carnevale	D10/94

D. 357,198	4/1995	Gatley	D10/94
4,814,995	3/1989	Daniels, Jr.	364/464.02
4,907,179	3/1990	Oldendorf et al.	177/25.13 X

Primary Examiner—Antoine Duval Davis
Attorney, Agent, or Firm—Jensen & Puntigam, P.S.

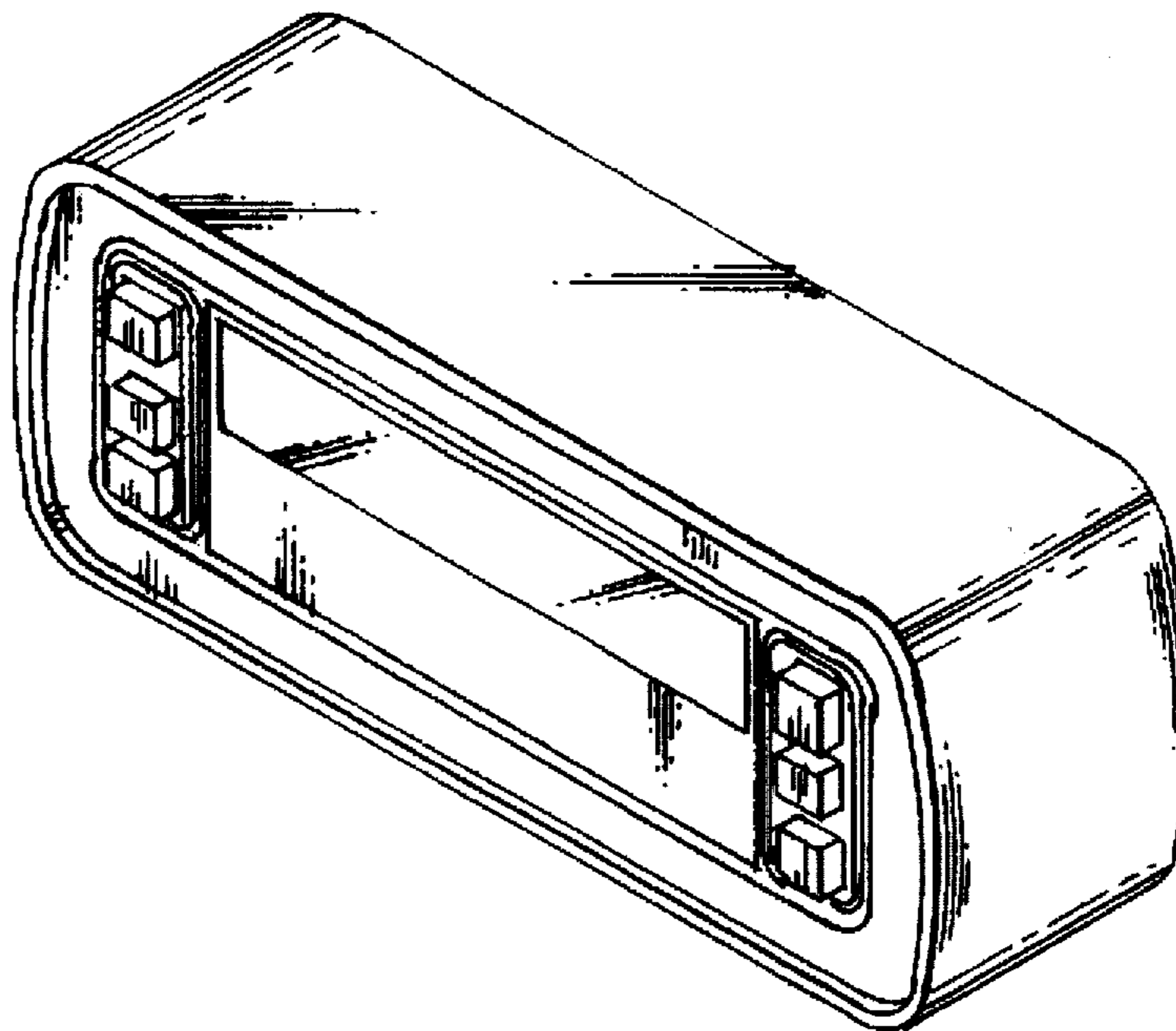
[57] **CLAIM**

The ornamental design for a scale meter, as shown and described.

DESCRIPTION

FIG. 1 is an isometric view of the scale meter showing our new design;
 FIG. 2 is a front elevational view thereof;
 FIG. 3 is a side elevational view thereof, the other side being identical thereto;
 FIG. 4 is a rear elevational view thereof;
 FIG. 5 is a top plan view thereof;
 FIG. 6 is a bottom view thereof; and,
 FIG. 7 is a front elevational view showing an alternative to FIG. 2.
 All views not shown being identical to those shown in FIGS. 3-6.

1 Claim, 2 Drawing Sheets



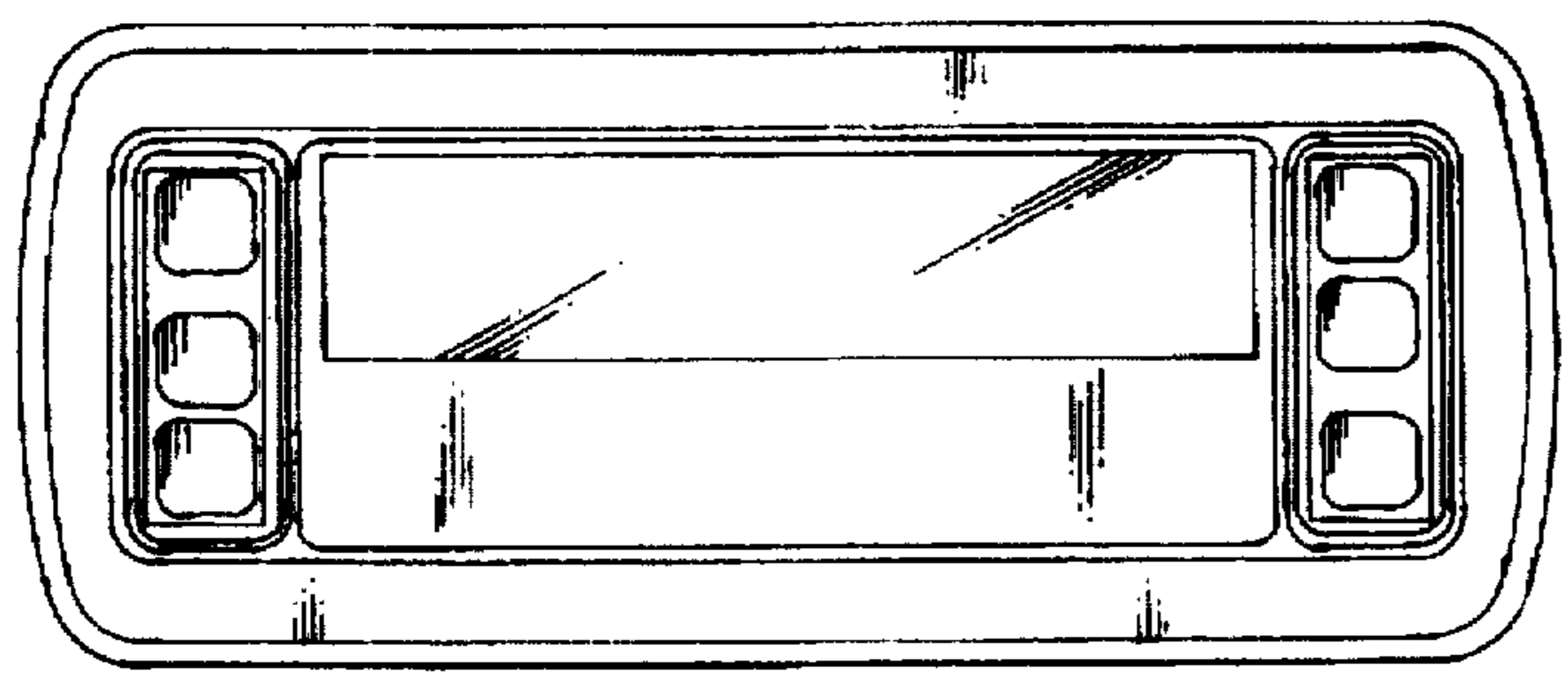
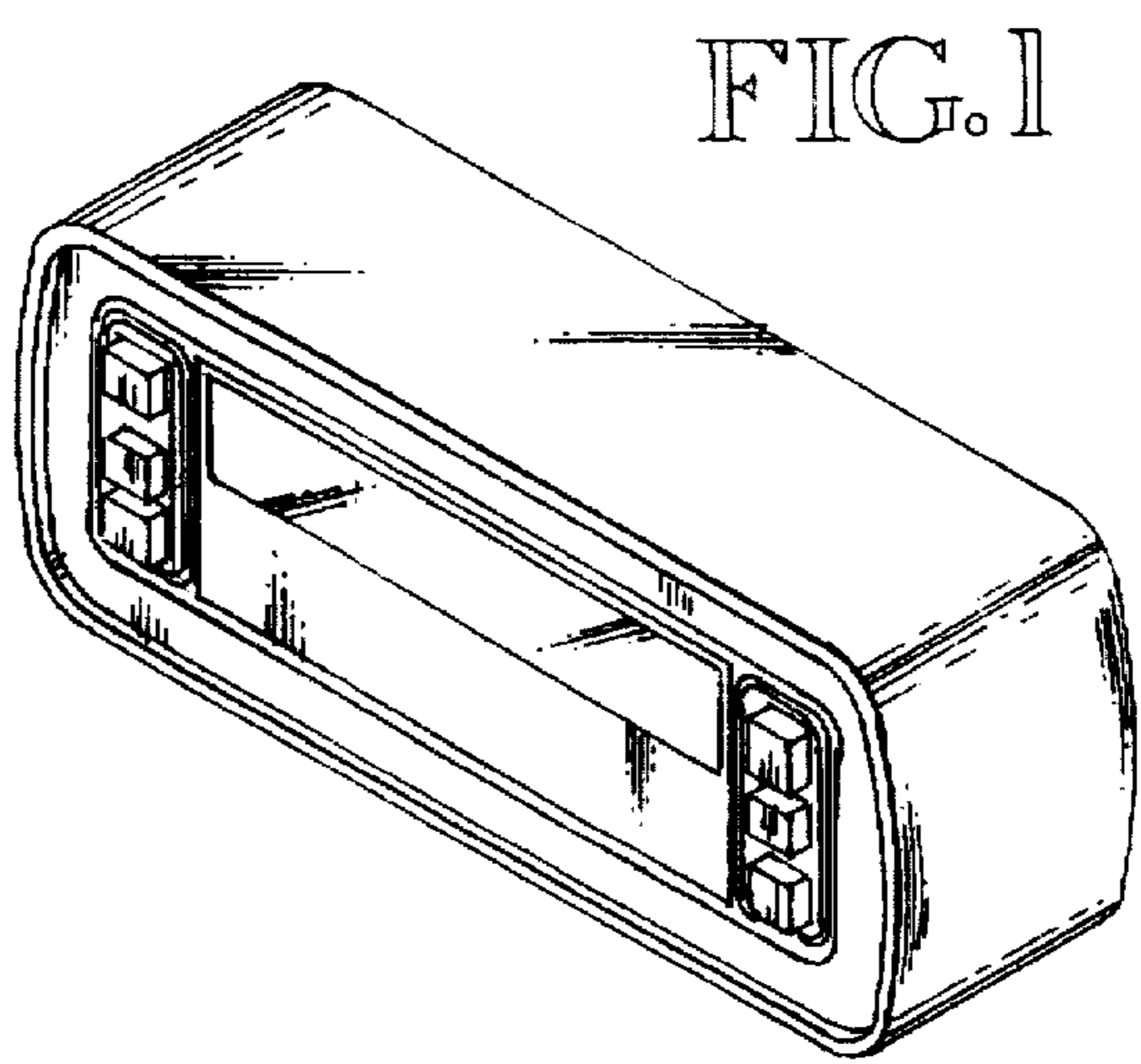


FIG. 3

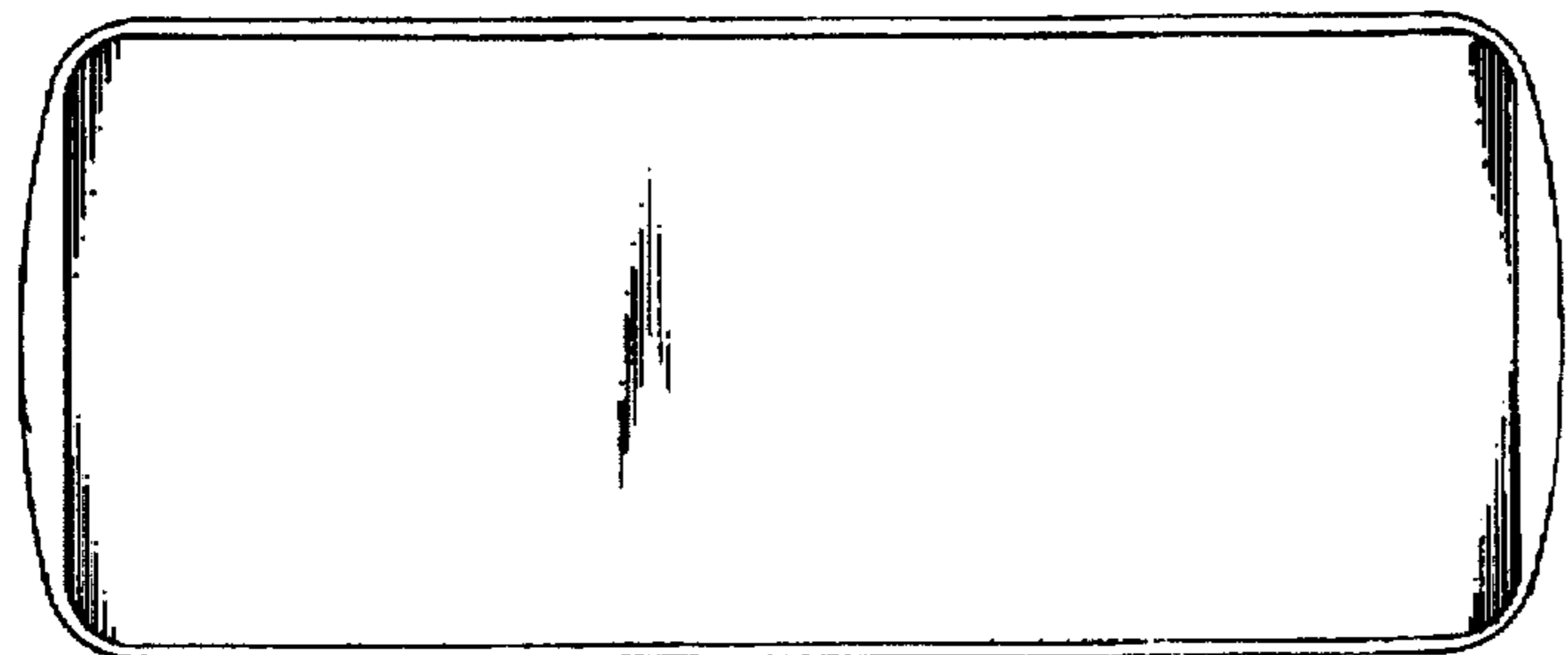
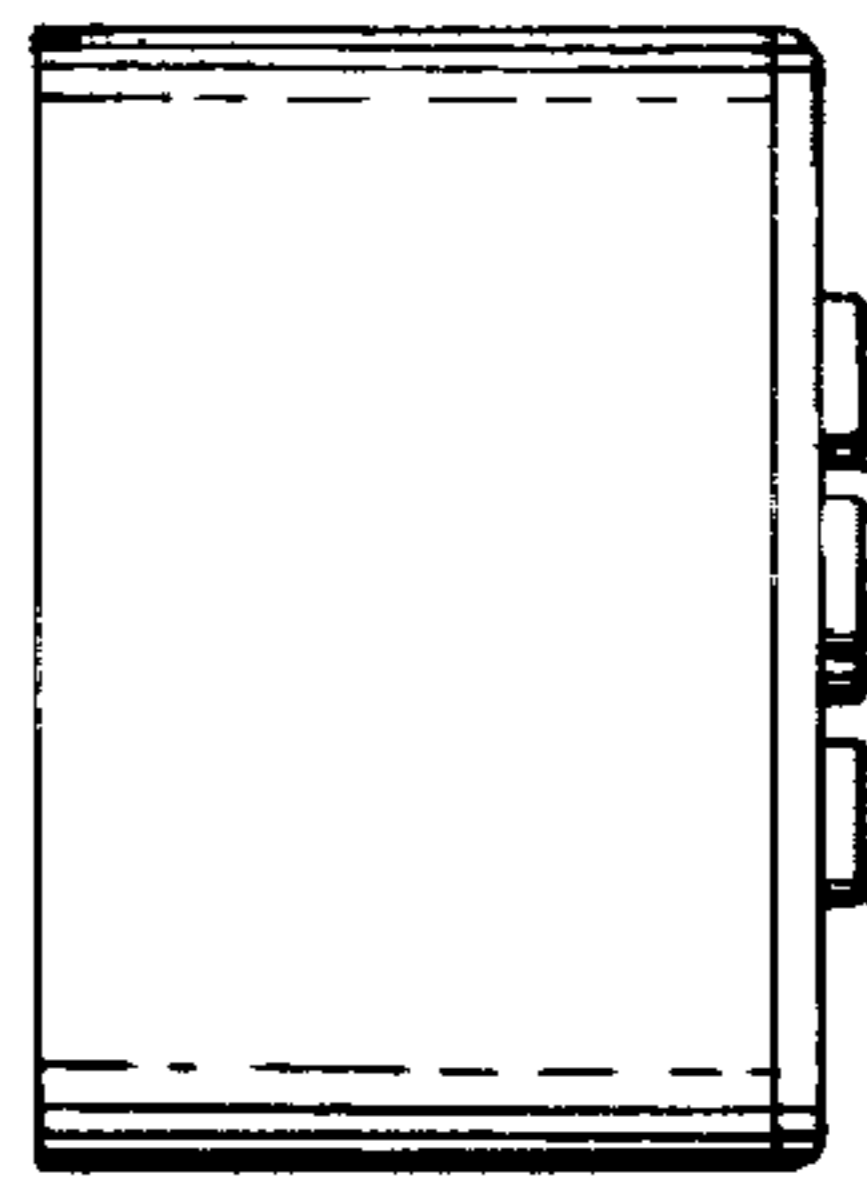


FIG. 4

FIG. 5

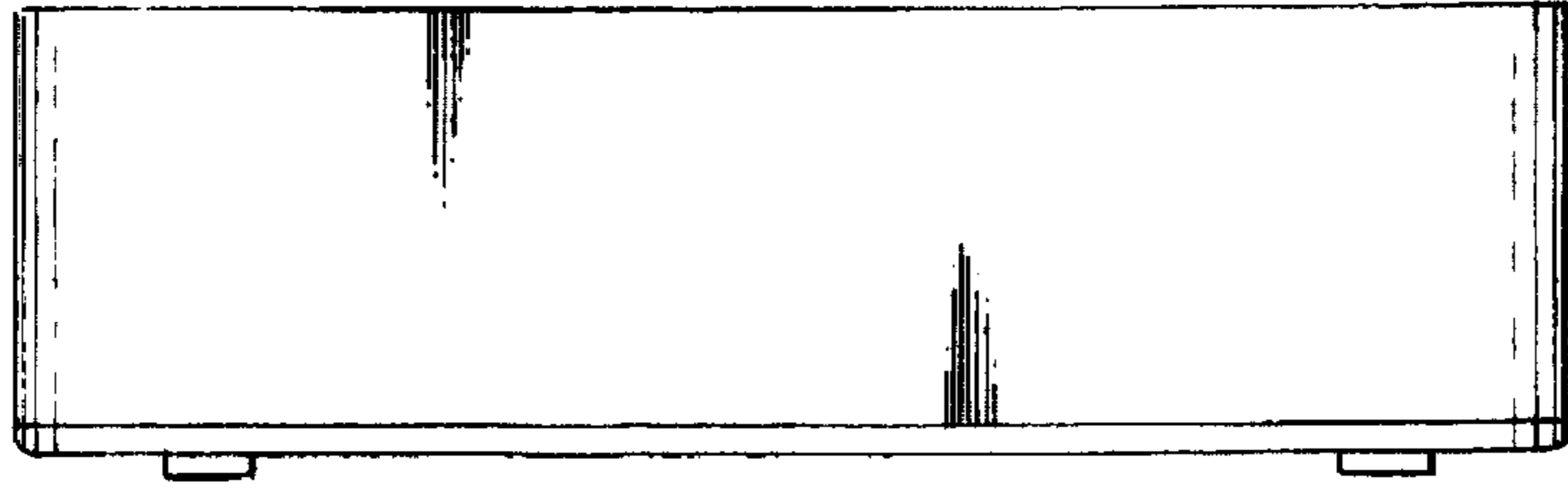


FIG. 6

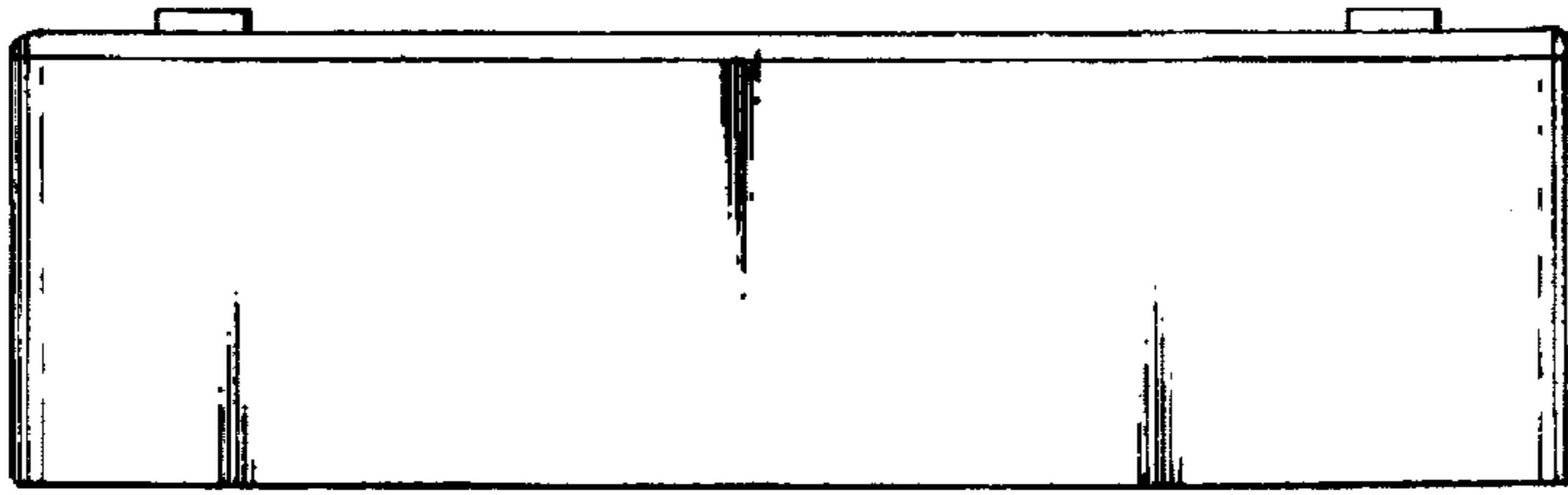


FIG. 7

