



US00D395016S

**United States Patent** [19]  
**Kornowski et al.**

[11] **Patent Number:** **Des. 395,016**  
[45] **Date of Patent:** **\*\*Jun. 9, 1998**

[54] **COAXIAL TEST PROBE WITH QUADRATURE GROUND PROVISION**

[75] Inventors: **Robert R. Kornowski**, Schaumburg, Ill.; **Damian Santay**, Munster, Ind.; **Charles J. Johnston**, Walnut, Calif.

[73] Assignee: **Everett Charles Technologies, Inc.**, Pomona, Calif.

[\*\*] Term: **14 Years**

[21] Appl. No.: **65,622**

[22] Filed: **Jan. 31, 1997**

[51] **LOC (6) Cl.** ..... **10-04**

[52] **U.S. Cl.** ..... **D10/80; D13/151**

[58] **Field of Search** ..... **D10/80; D13/133, D13/151; 324/149, 72.5, 754; 439/65, 70, 912**

[56] **References Cited**

**U.S. PATENT DOCUMENTS**

D. 343,802 2/1994 Kornowski et al. .... D10/80  
4,764,722 8/1988 Coughlin et al. .... 324/72.5 X

5,541,522 7/1996 Rosen et al. .... 324/72.5 X

*Primary Examiner*—Antoine Duval Davis  
*Attorney, Agent, or Firm*—Christie, Parker & Hale, LLP

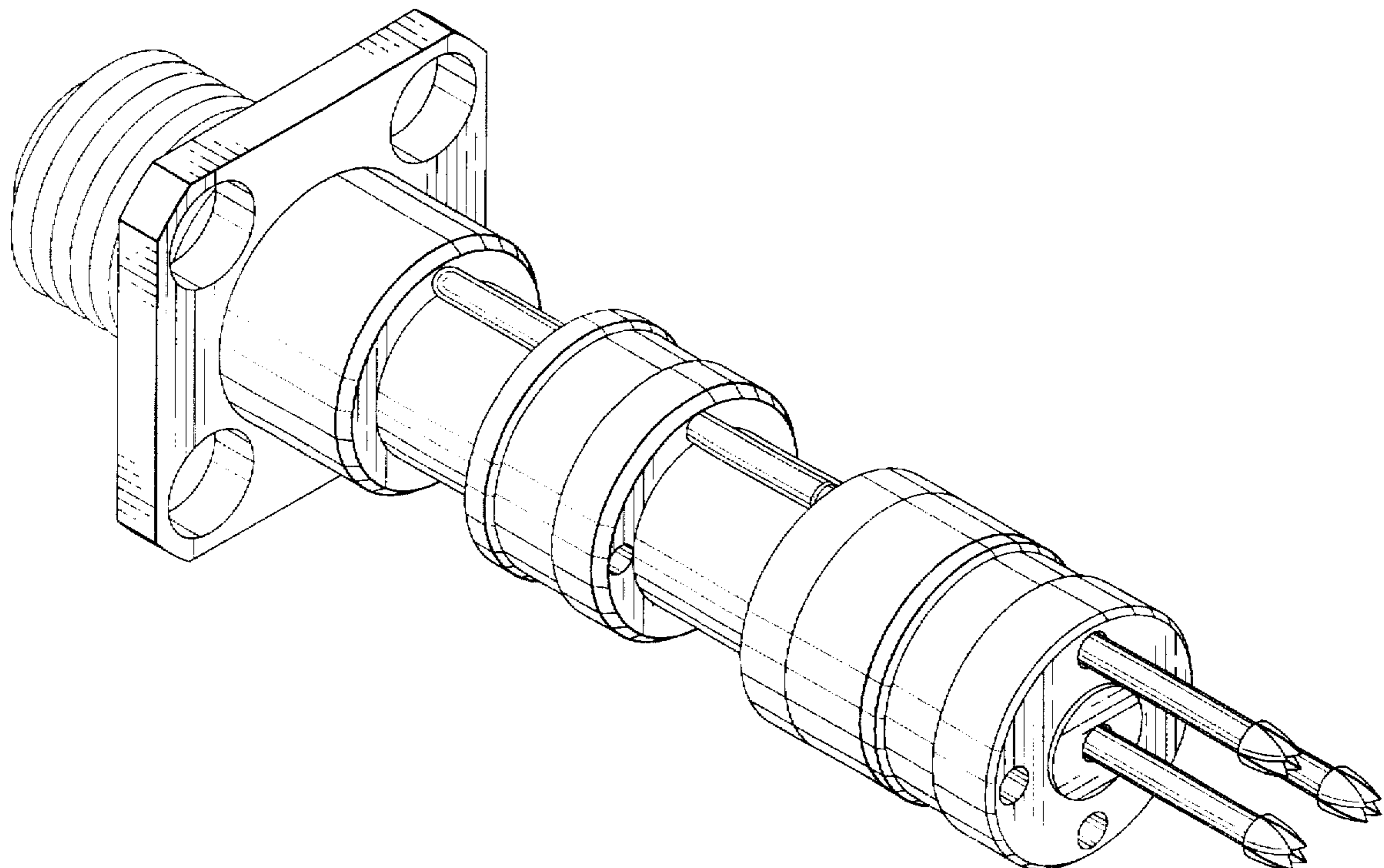
[57] **CLAIM**

The ornamental design for a coaxial test probe with quadrature ground provision, as shown and described.

**DESCRIPTION**

FIG. 1 is a perspective view of the coaxial test probe with quadrature ground provision showing the new design; FIG. 2 is a front elevational view of the embodiment of FIG. 1; FIG. 3 is a left side elevational view of the embodiment of FIG. 1; FIG. 4 is a back elevational view of the embodiment of FIG. 1; FIG. 5 is a right side elevational view of the embodiment of FIG. 1; FIG. 6 is a bottom elevational view of the embodiment of FIG. 1; and FIG. 7 is a top elevational view of the embodiment of FIG. 1.

**1 Claim, 3 Drawing Sheets**



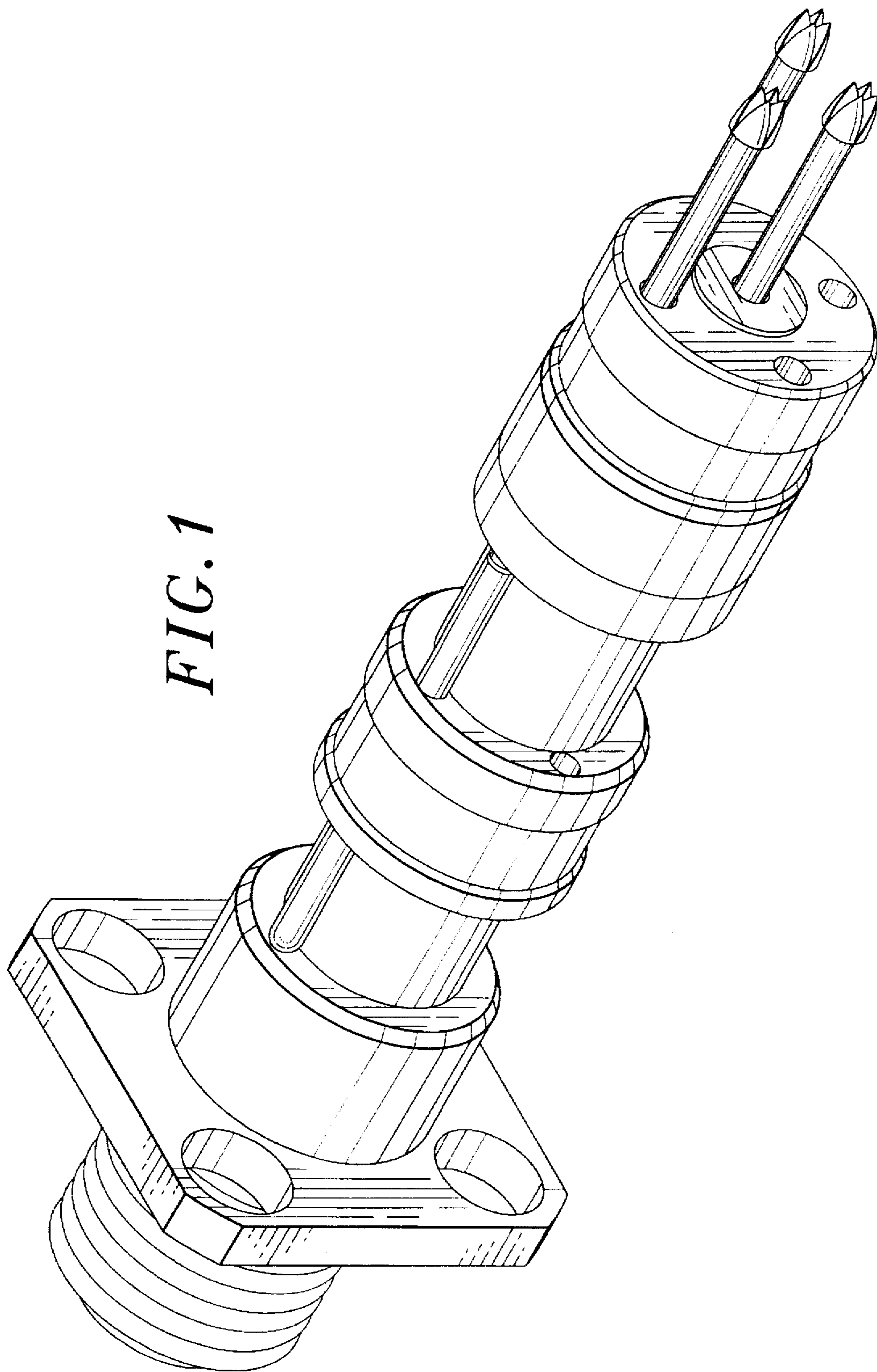


FIG. 1

FIG. 2

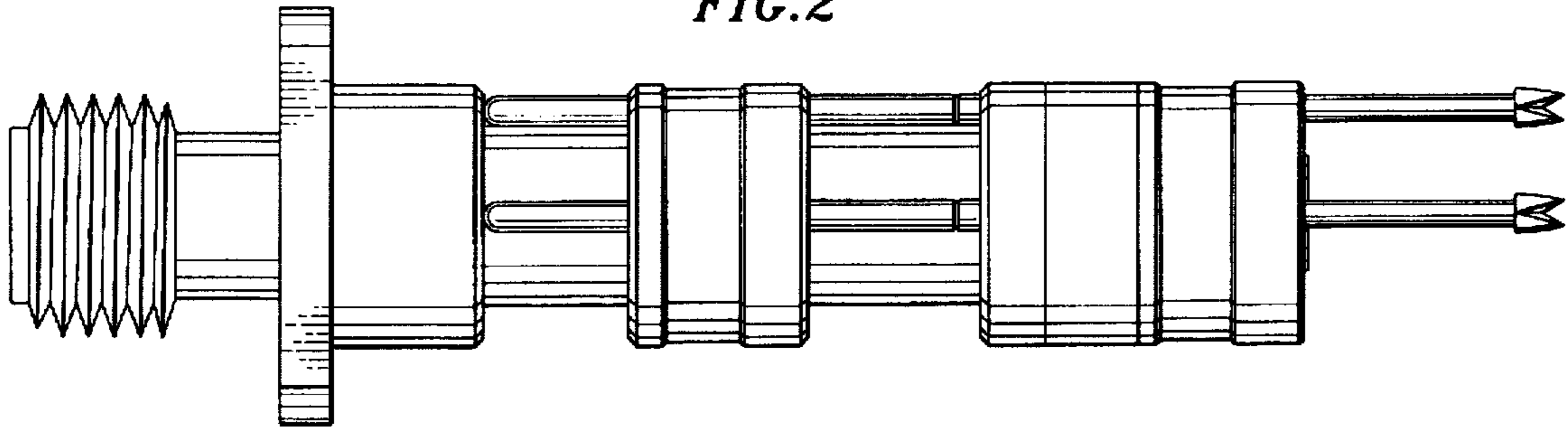


FIG. 3

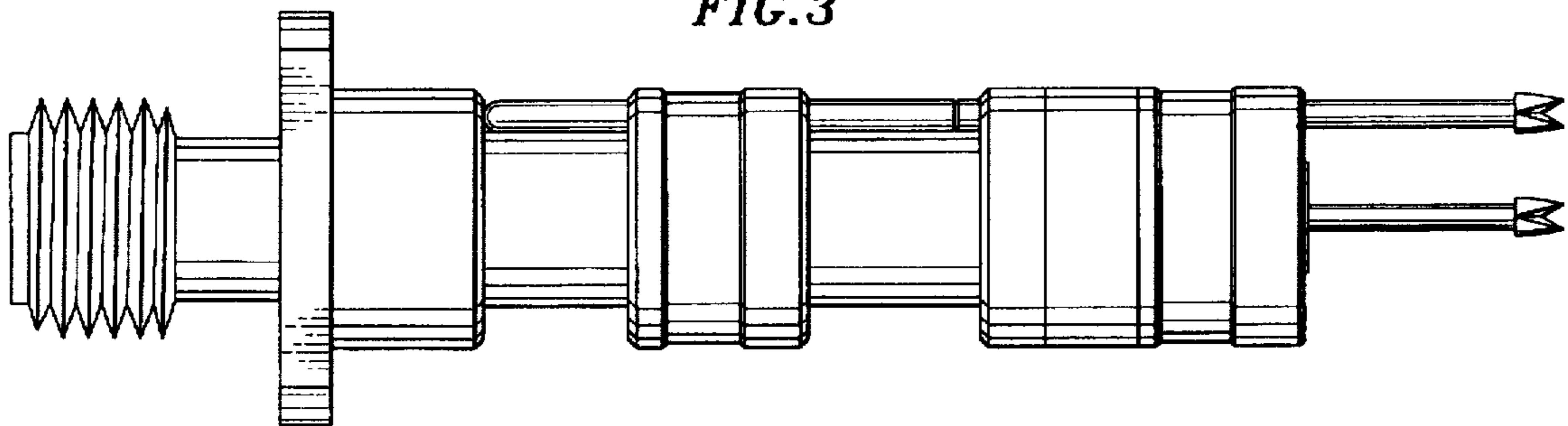


FIG. 4

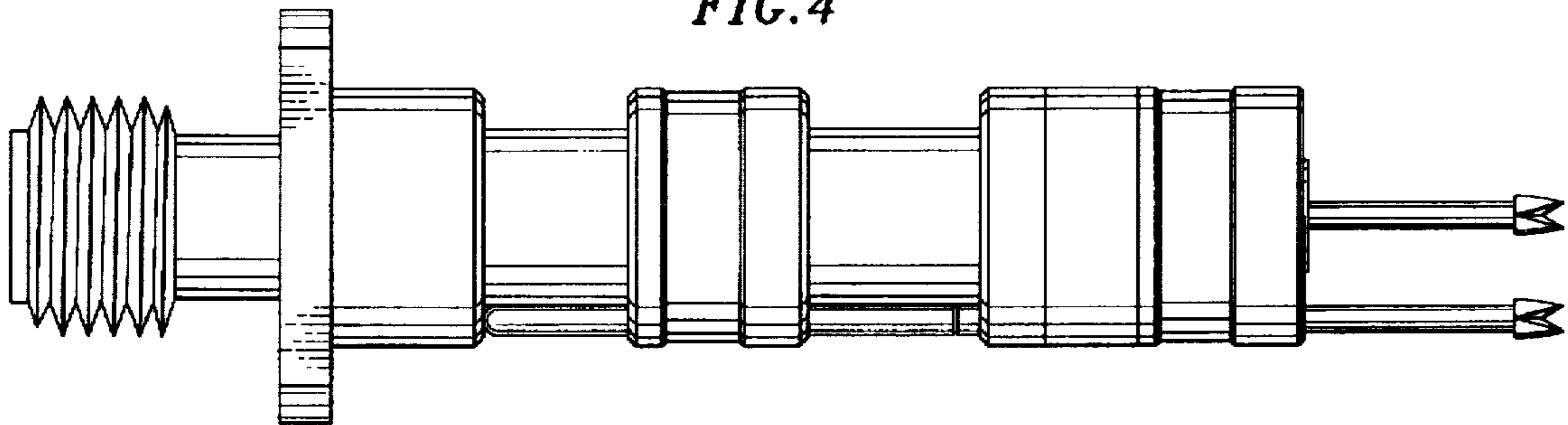
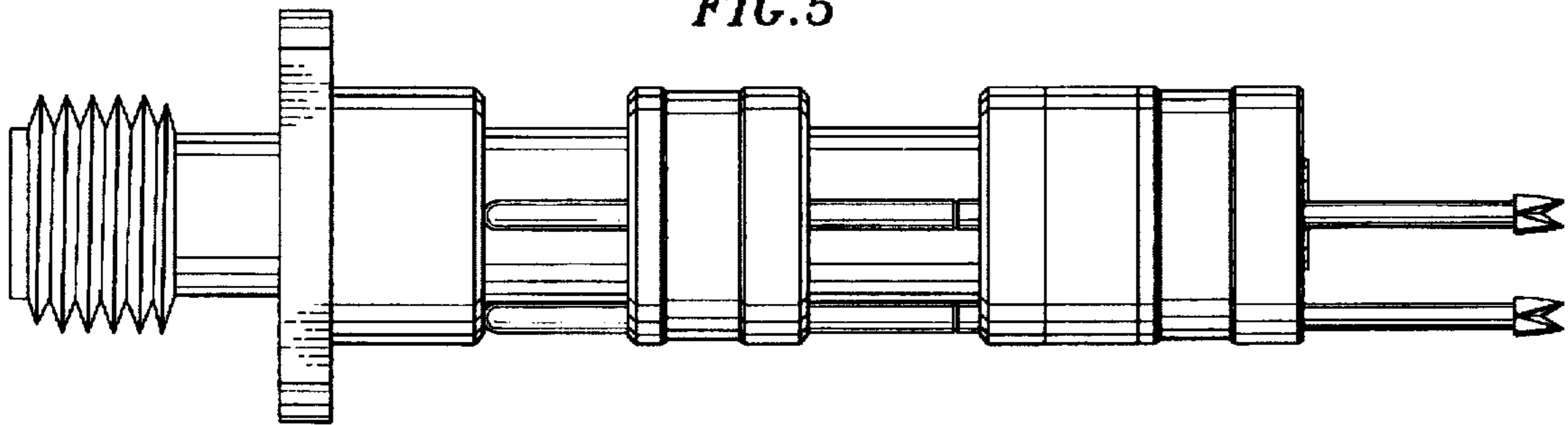
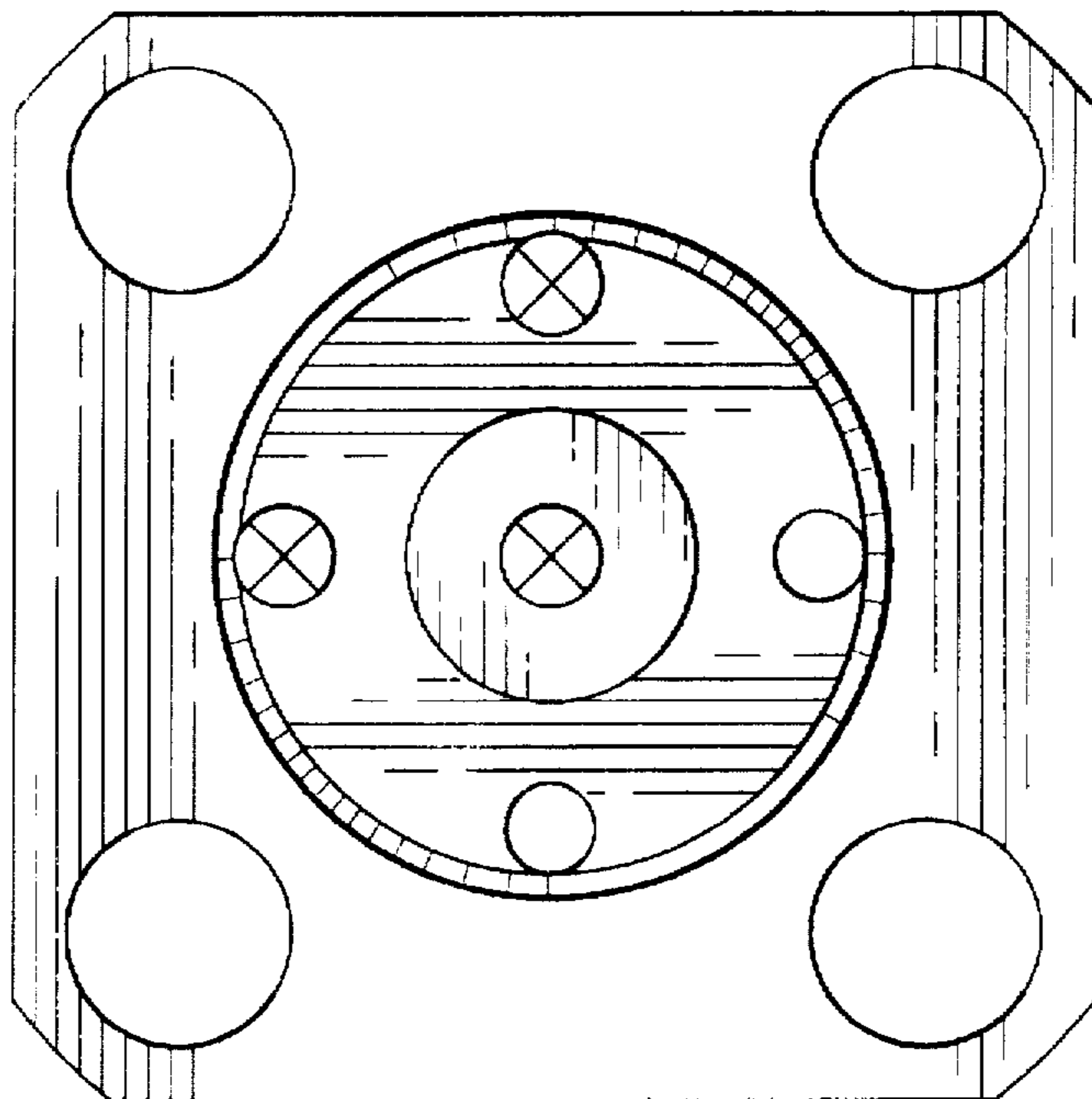


FIG. 5



*FIG. 7*



*FIG. 6*

