



US00D395015S

# United States Patent [19]

Horn et al.

[11] Patent Number: **Des. 395,015**

[45] Date of Patent: **\*\*Jun. 9, 1998**

[54] **SMART MODULE FOR USE WITH COMMUNICATIONS ANALYZER**

[75] Inventors: **Michael Stan Horn**, Gilbert; **Thomas James Hussey**, Mesa, both of Ariz.; **Kenneth Warren Larson**, Elmhurst, Ill.; **Robert Joseph Skalka**, Tempe, Ariz.; **Frank Allen Smith**, Mesa, Ariz.; **Kenneth Allan Johnson**, Mesa, Ariz.; **William Eric Rau**, Mesa, Ariz.

[73] Assignee: **Motorola**, Schaumburg, Ill.

[\*\*] Term: **14 Years**

[21] Appl. No.: **52,097**

[22] Filed: **Mar. 22, 1996**

[51] LOC (6) Cl. .... **10-04**

[52] U.S. Cl. .... **D10/78**

[58] Field of Search ..... **D10/78; 174/17 R; 235/492; 257/678, 679, 730, 732; 326/21, 34, 83; 361/752, 761, 796**

[56] **References Cited**

**U.S. PATENT DOCUMENTS**

5,646,828 7/1997 Degani et al. .... 361/761 X  
5,654,676 8/1997 Avanic et al. .... 361/763 X

*Primary Examiner*—Antoine Duval Davis  
*Attorney, Agent, or Firm*—Bradley J. Botsch, Sr.

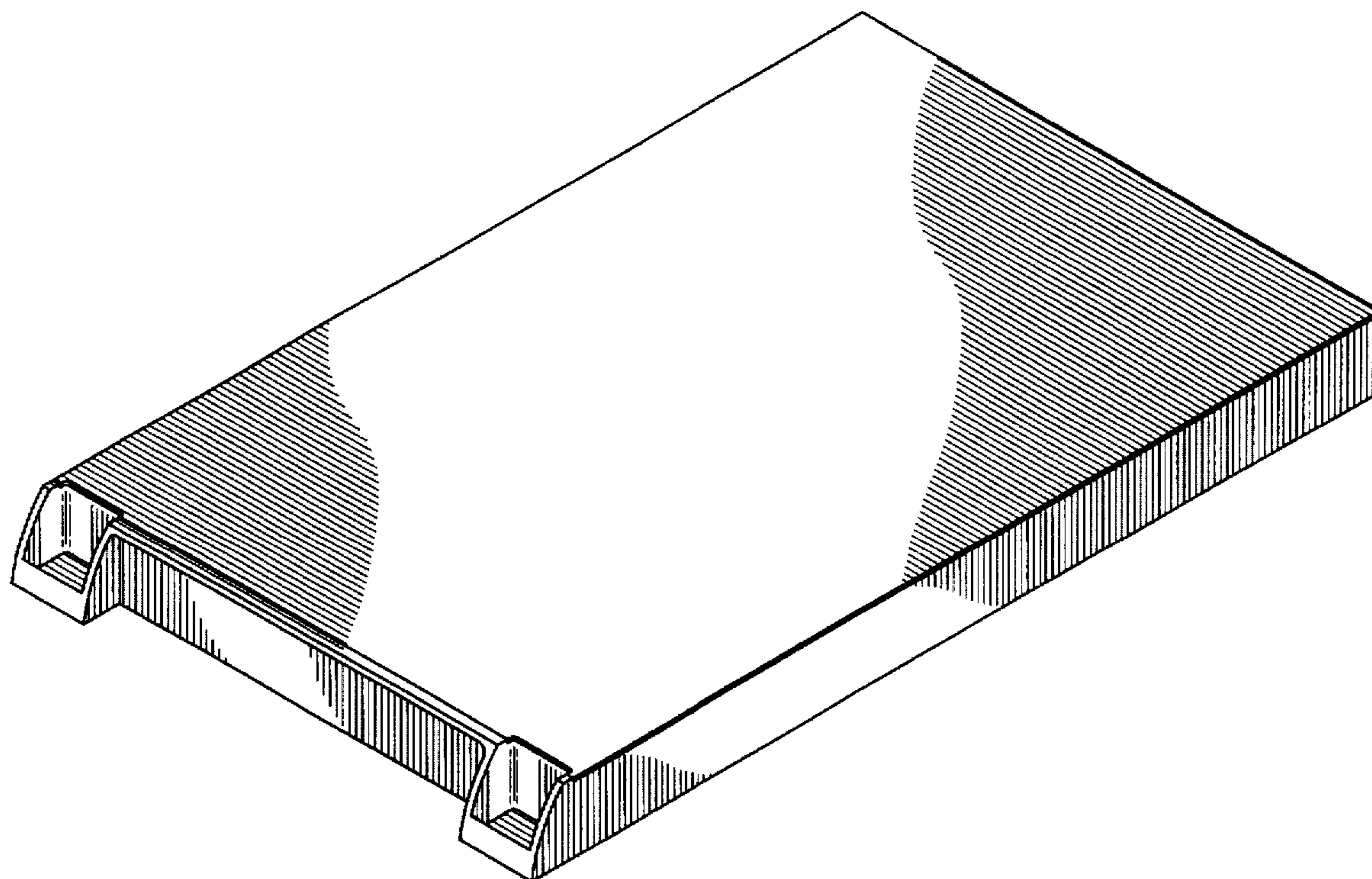
[57] **CLAIM**

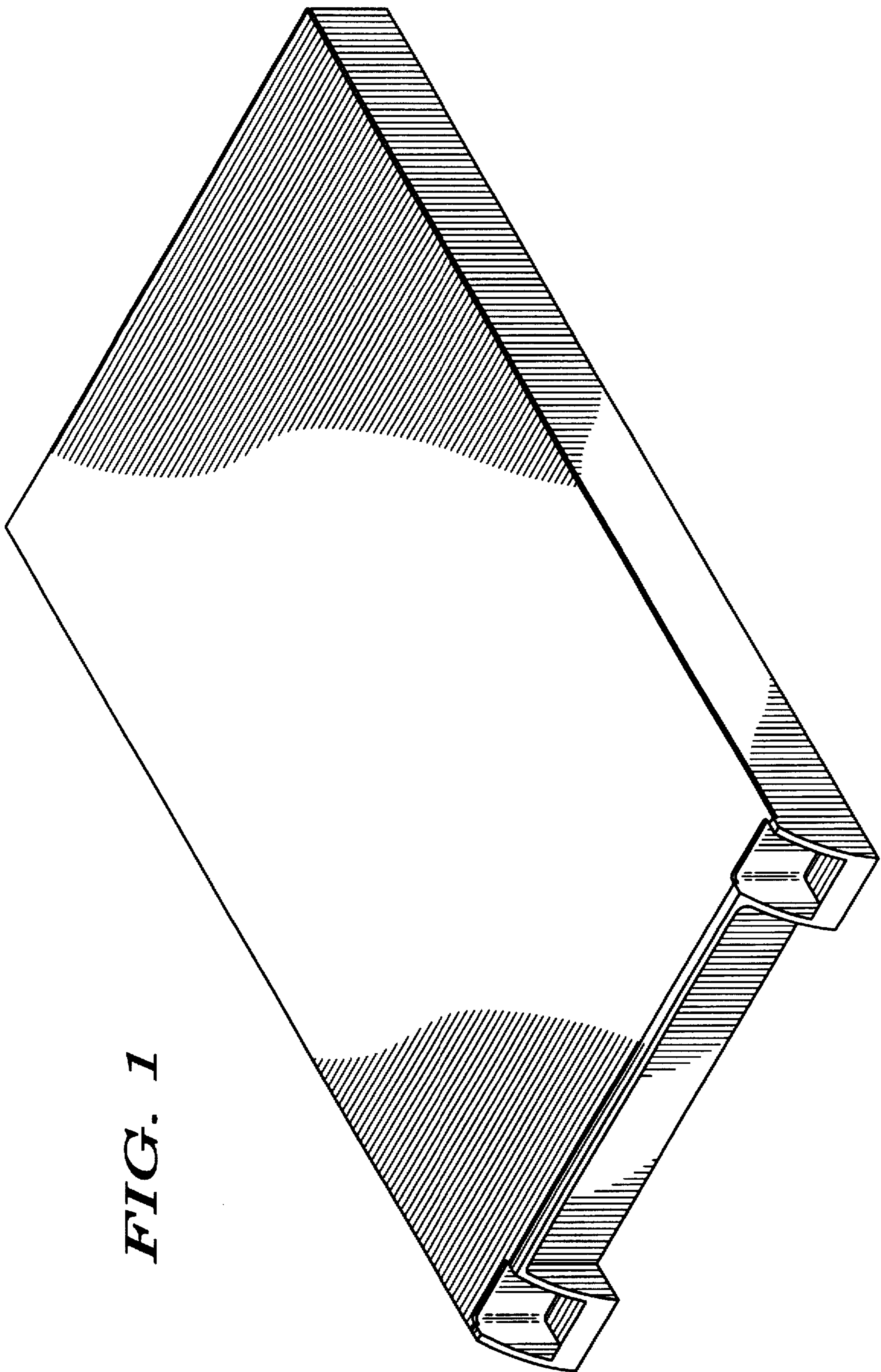
The ornamental design for a smart module for use with communications analyzer, as shown and described.

**DESCRIPTION**

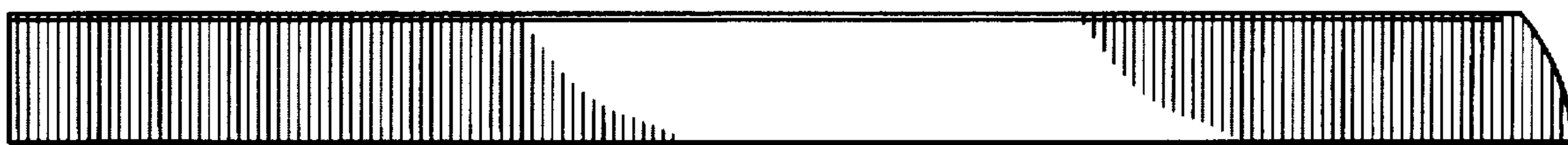
FIG. 1 is a top, right, and front perspective view showing our new design for a smart module shown in full line, with the broken line matter being for illustrative purposes only and forming no part of the claimed design; FIG. 2 is a left side elevation view thereof; FIG. 3 is a rear elevation view thereof; and FIG. 4 is a bottom plan view.

**1 Claim, 2 Drawing Sheets**



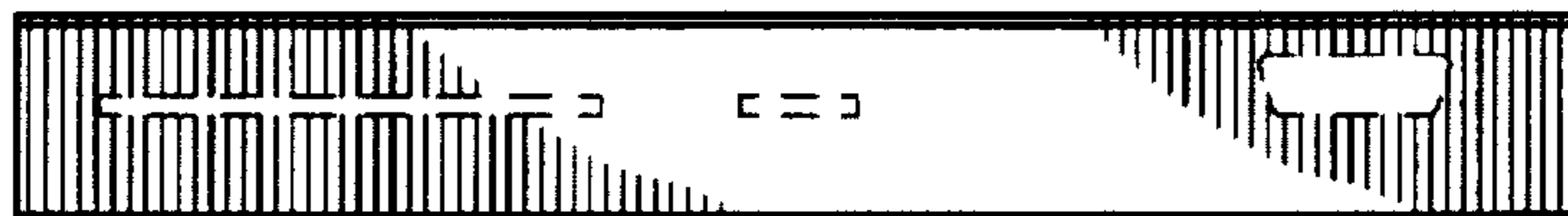


*FIG. 1*



*FIG. 2*

*FIG. 3*



*FIG. 4*

