



US00D395014S

**United States Patent** [19]  
**Herasymiuk**

[11] **Patent Number: Des. 395,014**  
[45] **Date of Patent: \*\*Jun. 9, 1998**

[54] **TRANSDUCER POSITIONING DEVICE**

5,492,014 2/1996 Hazonny ..... 73/644

[76] **Inventor: Edwin Herasymiuk, 2304 Engineers Rd., Bldg. #2, Unit #1, Belle Chasse, La. 70037**

*Primary Examiner*—Antoine Duval Davis  
*Attorney, Agent, or Firm*—George A. Bode; Bode & Associates

[\*\*] **Term: 14 Years**

[57] **CLAIM**

[21] **Appl. No.: 63,598**

The ornamental design for a transducer positioning device, as shown and described.

[22] **Filed: Dec. 13, 1996**

**DESCRIPTION**

[51] **LOC (6) Cl. .... 10-04**

[52] **U.S. Cl. .... D10/74; D10/103**

[58] **Field of Search ..... D10/74, 103; 73/620-648**

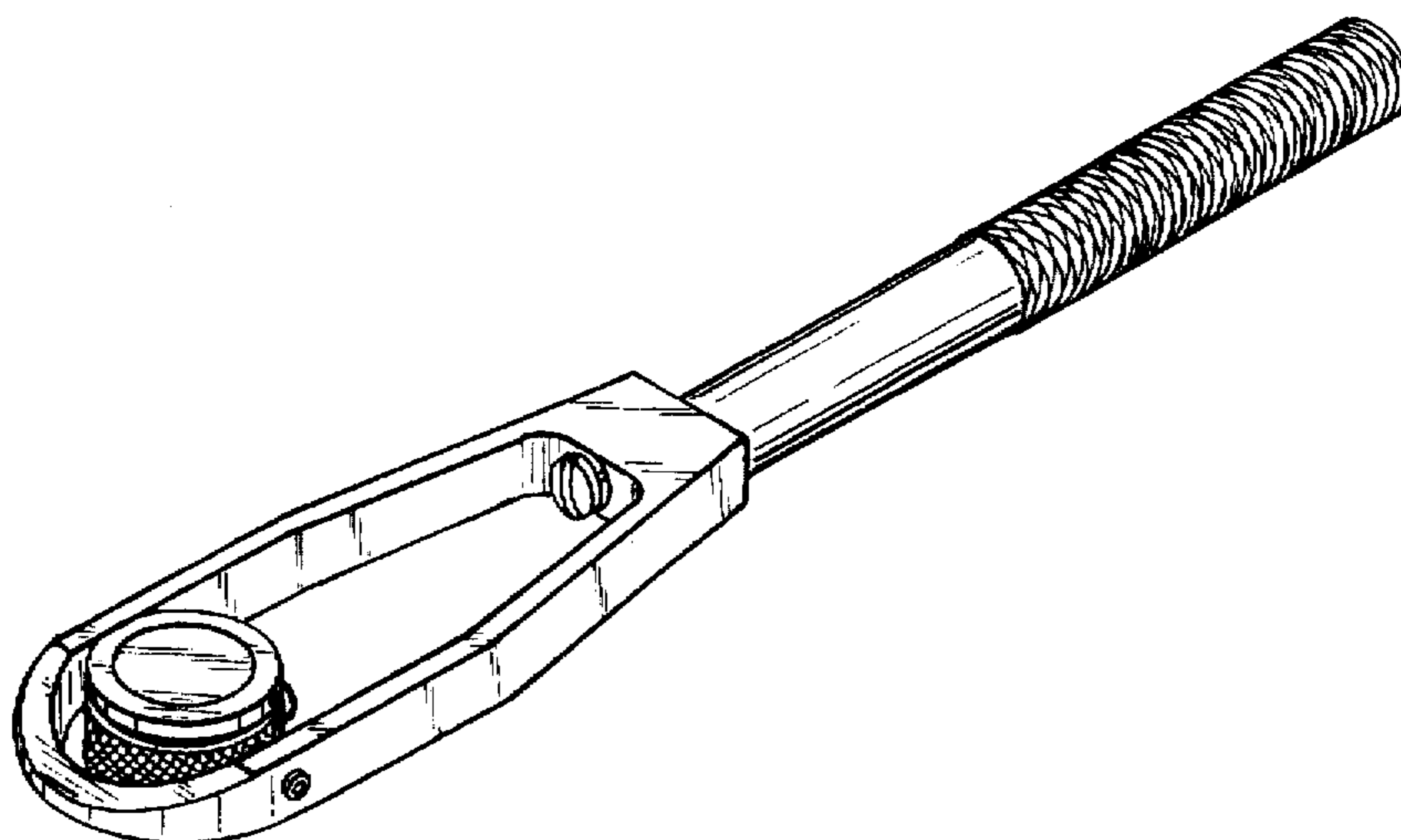
FIG. 1 is a front, top and right side perspective view of a transducer positioning device showing my new design; FIG. 2 is a top plan view thereof; FIG. 3 is a left side elevational view thereof; FIG. 4 is a bottom plan view thereof; FIG. 5 is a front elevational view thereof; and, FIG. 6 is a rear elevational view thereof.

[56] **References Cited**

**U.S. PATENT DOCUMENTS**

5,046,364 9/1991 Stasuk et al. .... 73/623  
5,048,529 9/1991 Blumenthal ..... 73/633

**1 Claim, 2 Drawing Sheets**



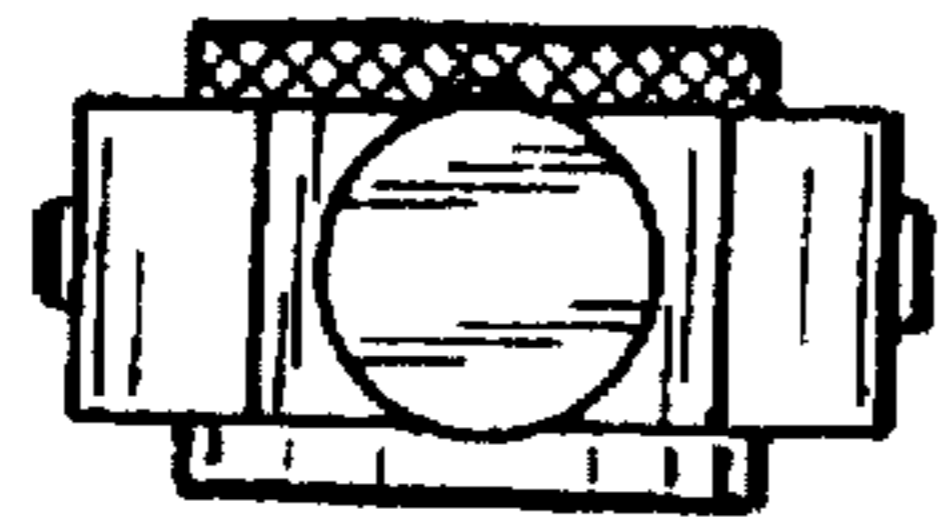


FIG. 6

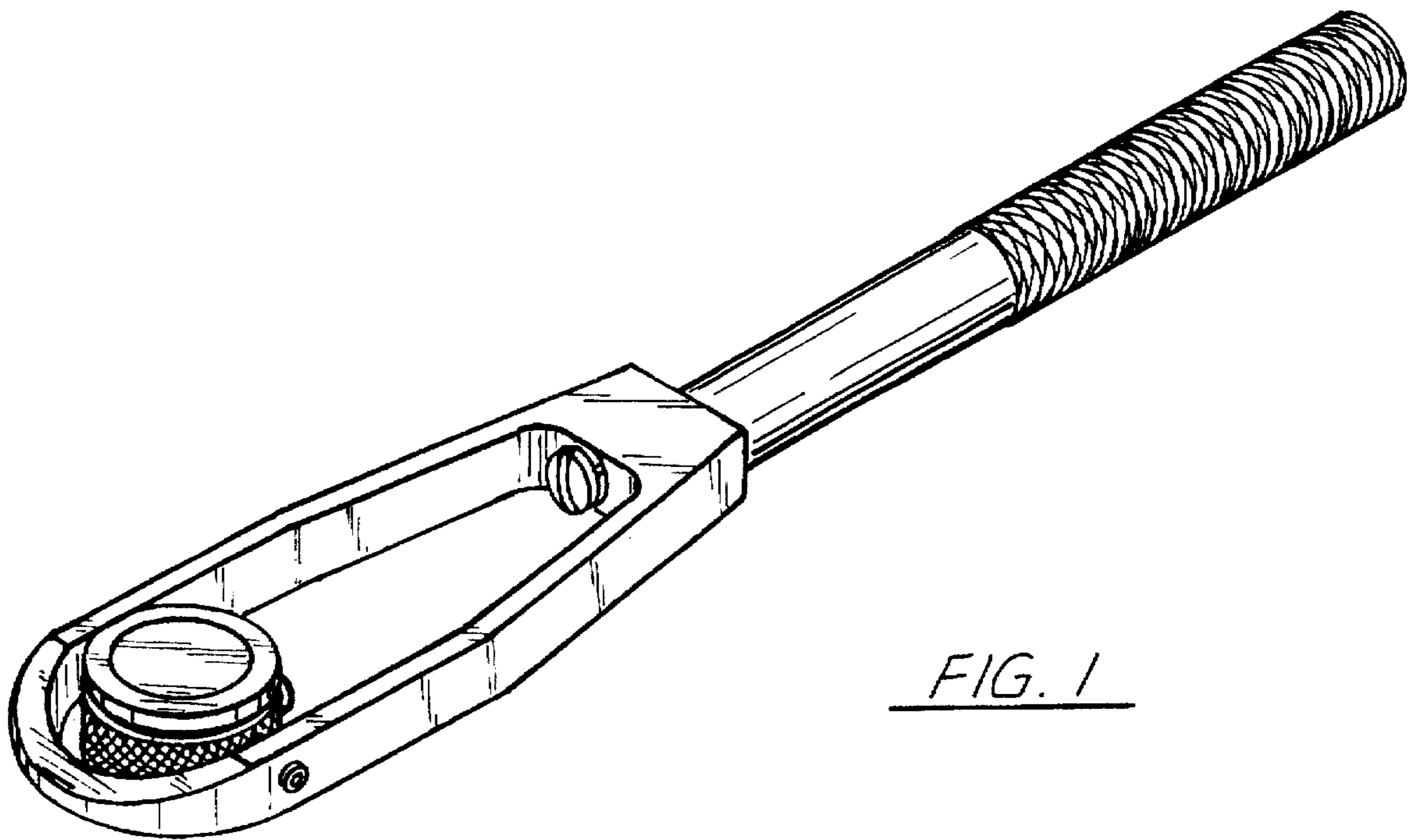


FIG. 1



FIG. 5

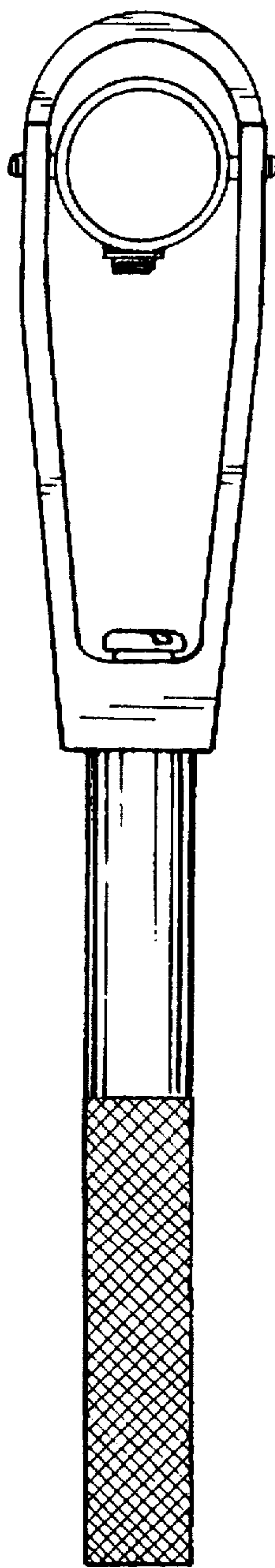


FIG. 2

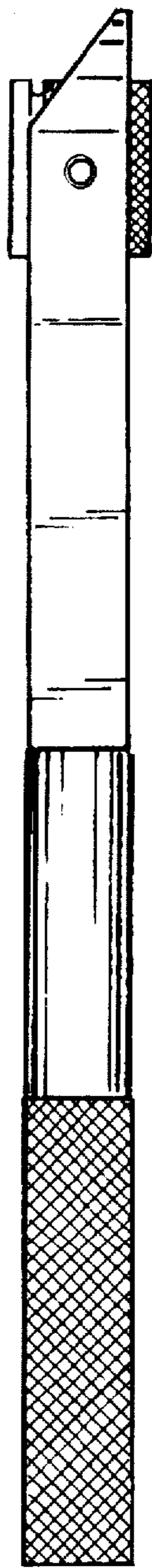


FIG. 3

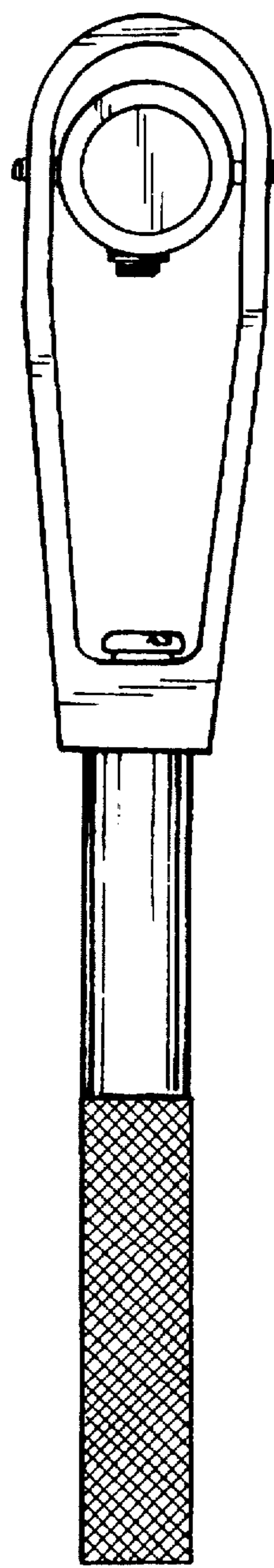


FIG. 4