



US00D395009S

United States Patent [19]
Magee

[11] **Patent Number: Des. 395,009**
[45] **Date of Patent: **Jun. 9, 1998**

[54] **CLOCK**

5,104,168 4/1992 Magee .

[76] **Inventor: Charles Magee, 175 Smith Rd., Cairo, Ga. 31728**

FOREIGN PATENT DOCUMENTS

[**] **Term: 14 Years**

494469 7/1950 Belgium .
706847 6/1931 France .
920 814 12/1954 Germany .
137982 4/1930 Switzerland .

[21] **Appl. No.: 60,103**

OTHER PUBLICATIONS

[22] **Filed: Sep. 23, 1996**

Home Furn. Daily. Nov. 3, 1986—p. 123—clock at bottom right.

[51] **LOC (6) Cl. 10-01**

European Jeweler (G.Z.)—Jul. 1987—p. 41—clock at bottom center.

[52] **U.S. Cl. D10/1; D10/2; D10/6**

[58] **Field of Search D10/1-2, 6-8, D10/28; 294/141-143, 146; 368/10, 285, 316, 317; D7/553**

Primary Examiner—Nelson C. Holtje
Attorney, Agent, or Firm—Kilpatrick Stockton LLP; John S. Pratt, Esq.

[56] **References Cited**

[57] **CLAIM**

U.S. PATENT DOCUMENTS

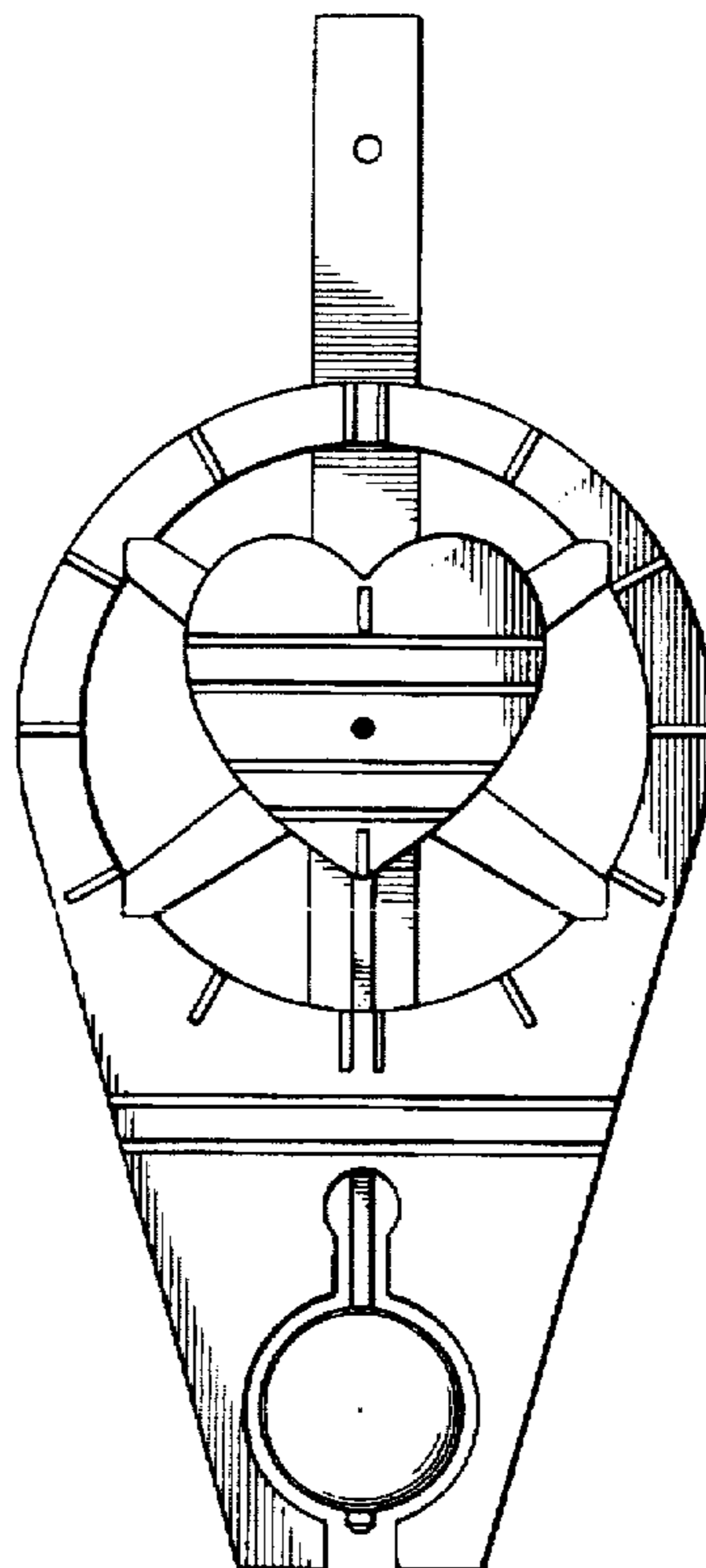
The ornamental design for a clock, as shown and described.

D. 315,685	3/1991	Kato	D10/28
D. 319,023	8/1991	Kato	D10/28
D. 324,180	2/1992	Tamura	D10/28
D. 353,104	12/1994	Moore	D10/28
D. 363,230	10/1995	Moore	D10/28
523,068	7/1894	Gaul	.
1,468,256	9/1923	Blackman et al.	.
2,014,745	9/1935	Regli	.
2,061,285	11/1936	McCormick	.
2,278,390	3/1942	Havlis	.
2,302,446	11/1942	Kincaid	.
2,510,591	6/1950	Listman	.
2,916,180	12/1959	Alger	.
3,814,367	6/1974	Rasmussen	.
4,011,951	3/1977	Boyer	.
4,033,489	7/1977	Fowler	.
5,062,674	11/1991	Magee	.

DESCRIPTION

FIG. 1 is a front elevational view of a clock of the present invention;
FIG. 2 is a left side elevational view of the invention shown in FIG. 1;
FIG. 3 is a top plan view of the invention shown in FIG. 1;
FIG. 4 is a rear elevational view of the invention shown in FIG. 1;
FIG. 5 is a right side elevational view of the invention shown in FIG. 1; and
FIG. 6 is a bottom plan view of the invention shown in FIG. 1.

1 Claim, 2 Drawing Sheets



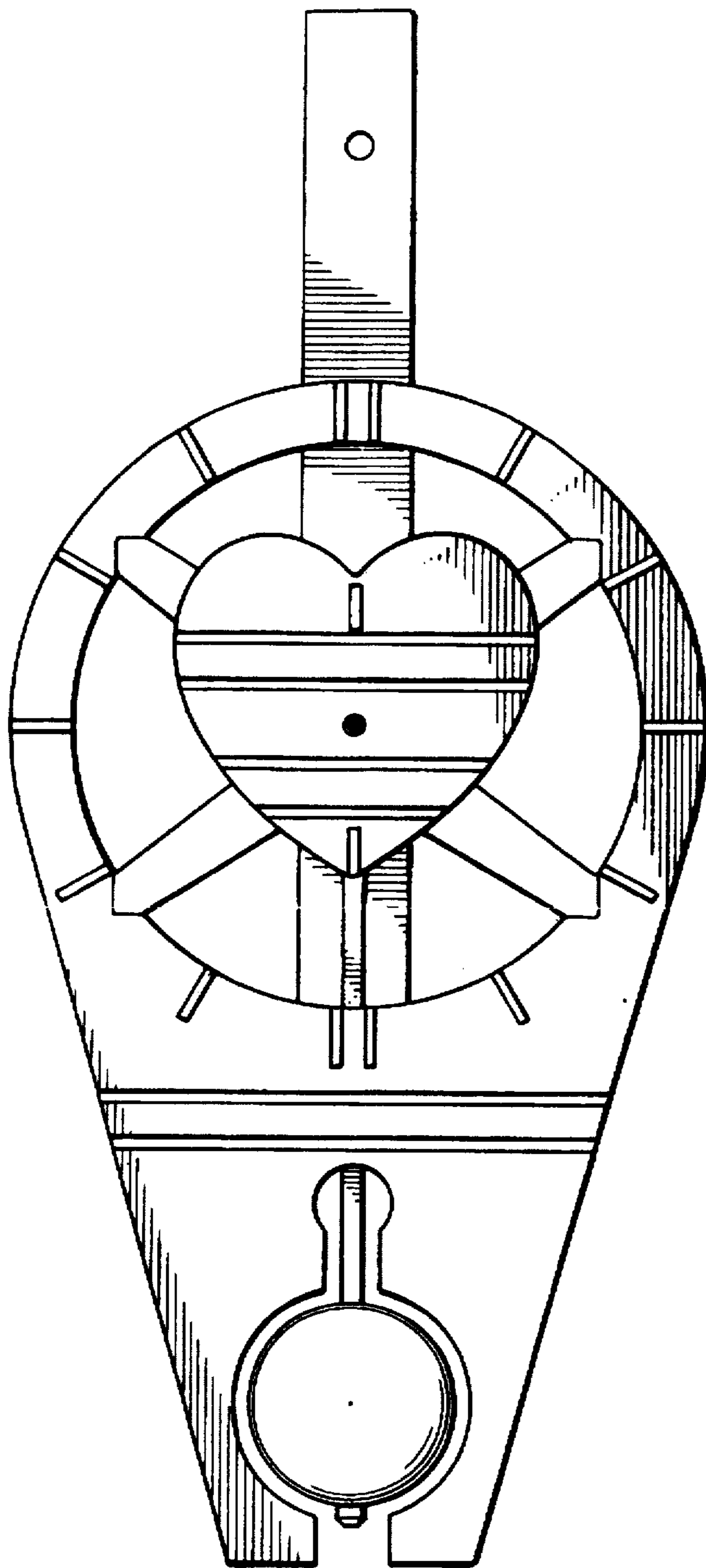


FIG 1

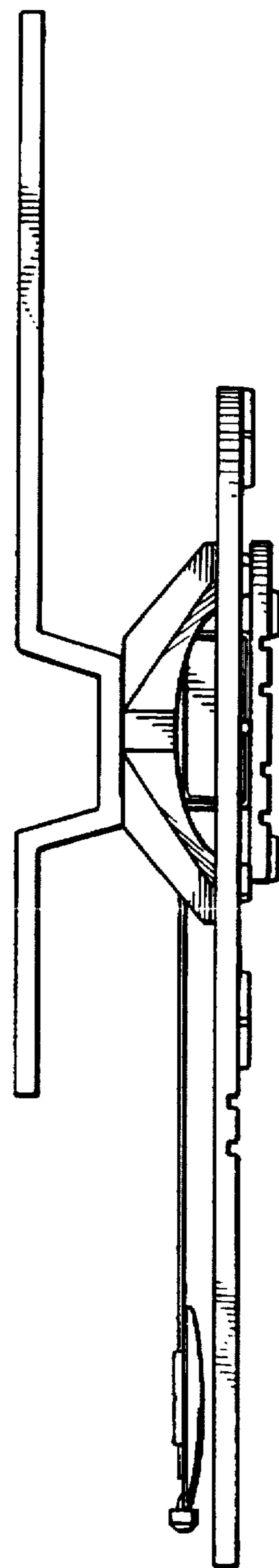


FIG 2

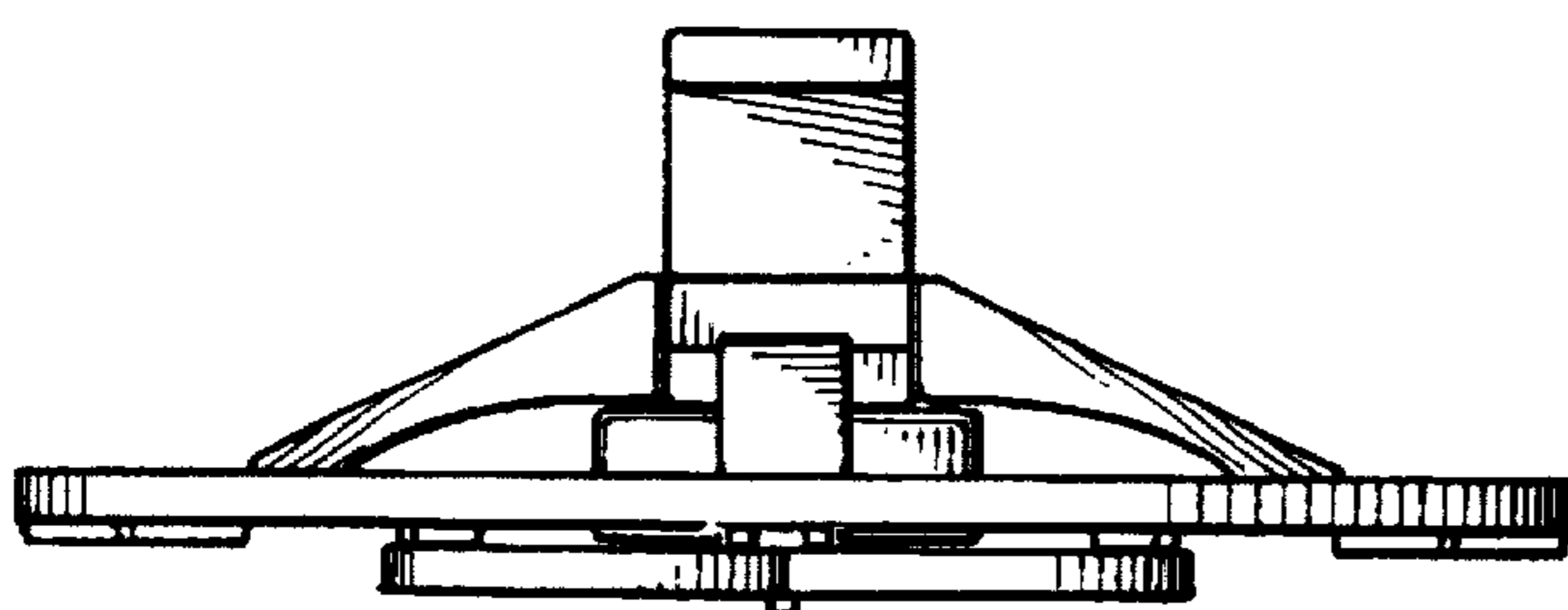


FIG 3

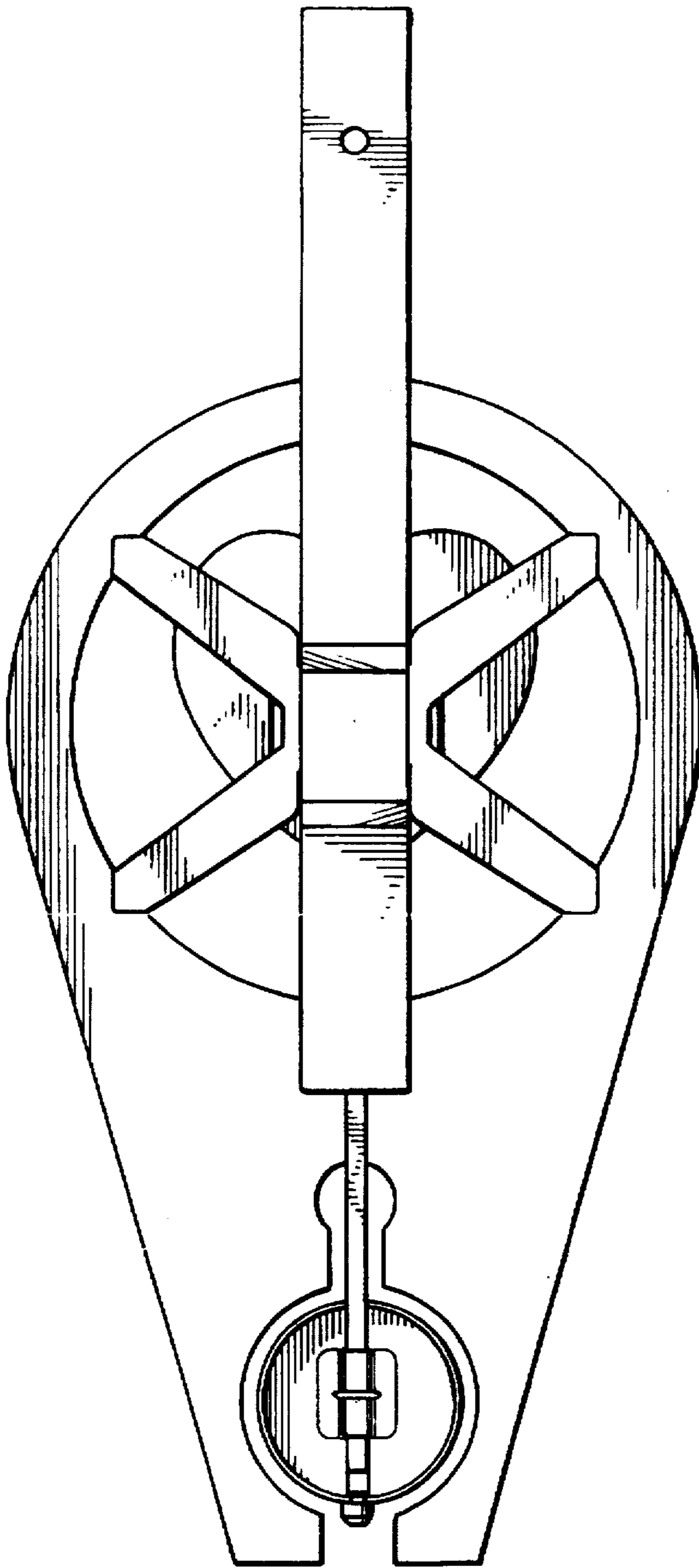


FIG 4

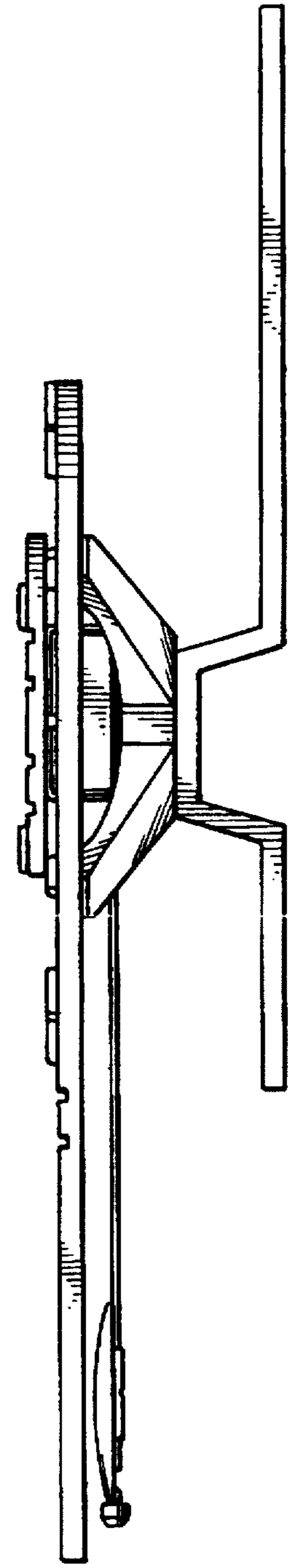


FIG 5

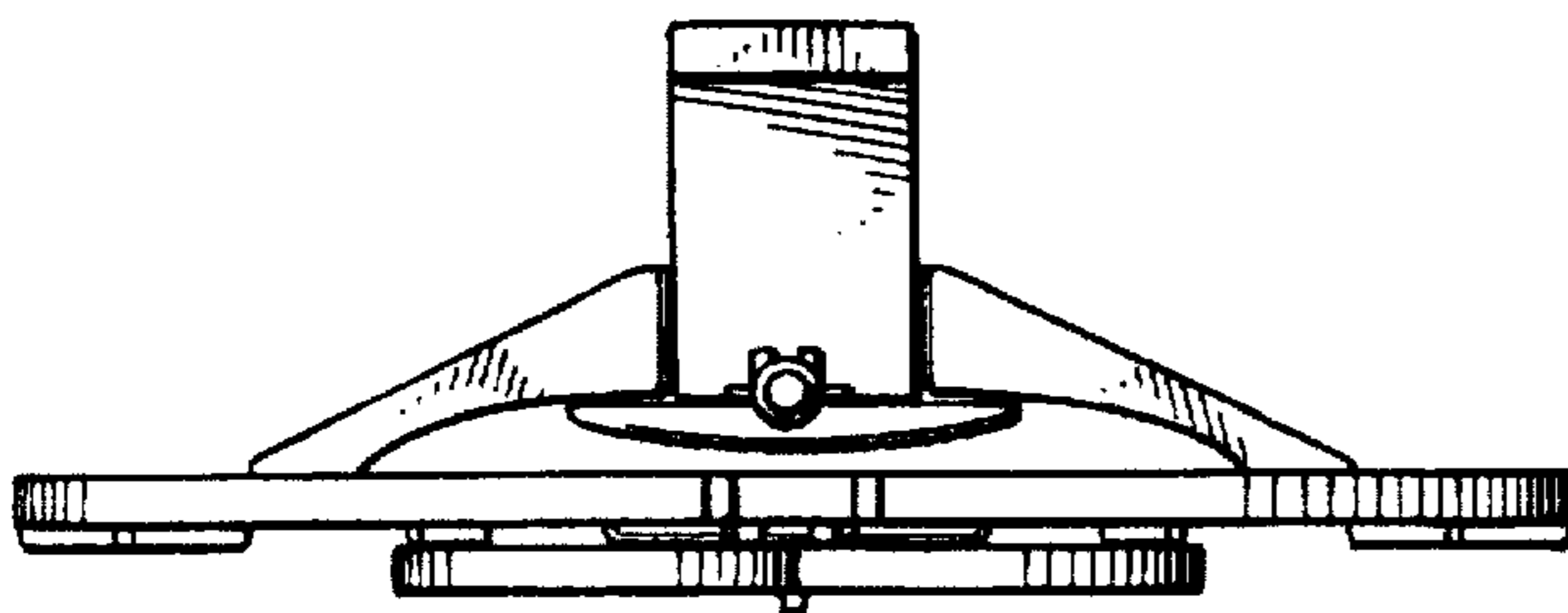


FIG 6