



US00D395001S

United States Patent [19]
Stebbins

[11] **Patent Number:** **Des. 395,001**
[45] **Date of Patent:** ****Jun. 9, 1998**

[54] **ELECTRIC PLUG RETAINER**

[76] **Inventor:** **Robert E. Stebbins**, 44 Trues Brook Rd., West Lebanon, N.H. 03784

[**] **Term:** **14 Years**

[21] **Appl. No.:** **72,255**

[22] **Filed:** **Jun. 12, 1997**

[51] **LOC (6) Cl.** **08-05**

[52] **U.S. Cl.** **D8/394**

[58] **Field of Search** D8/356, 394-396;
24/16 PB, 115 H, 115 K

[56] **References Cited**

U.S. PATENT DOCUMENTS

D. 273,361	4/1984	Suzuki	D8/394
D. 347,156	5/1994	Starrett et al.	D8/394
D. 383,379	9/1997	Keegan	D8/394

Primary Examiner—Holly Baynham

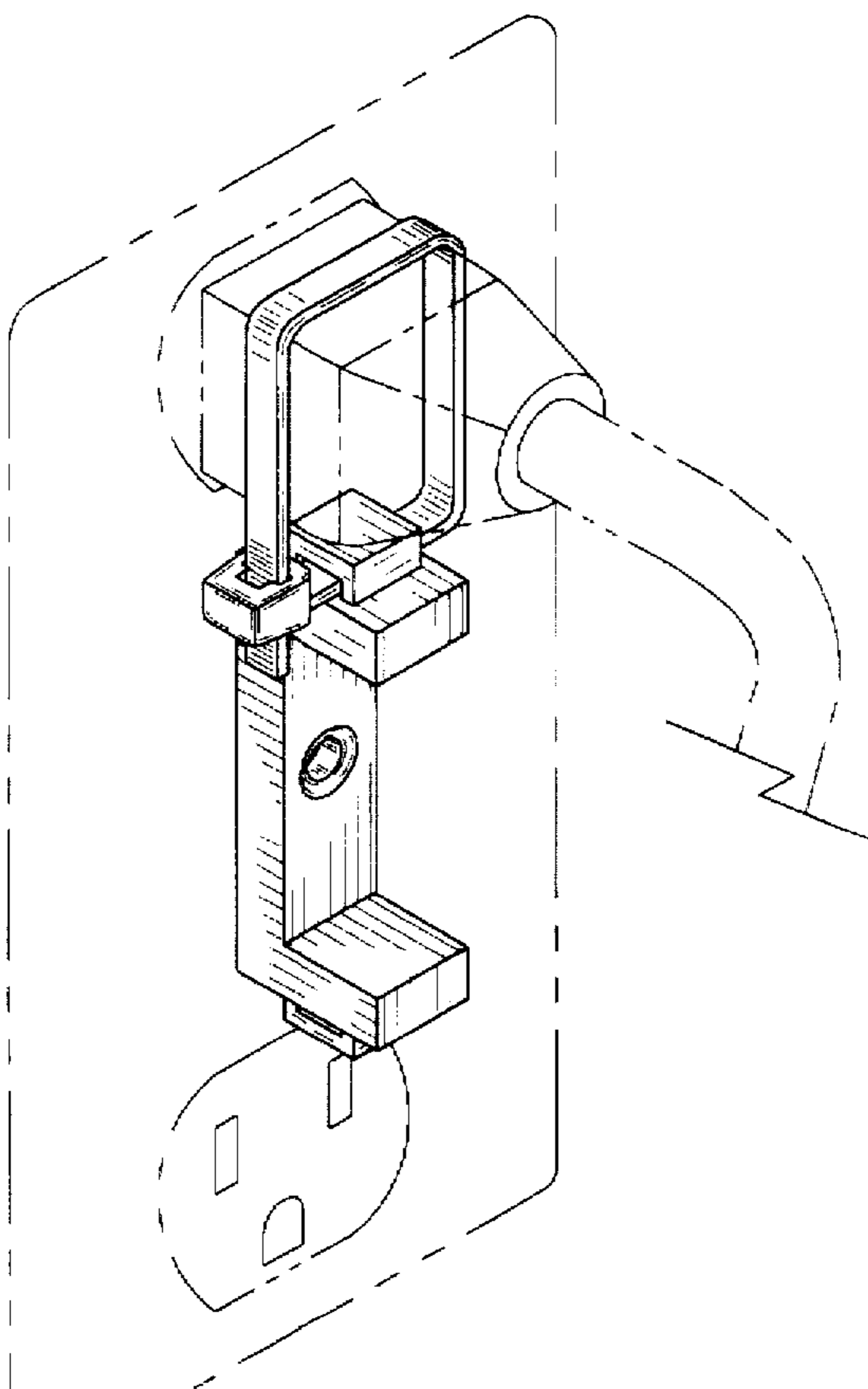
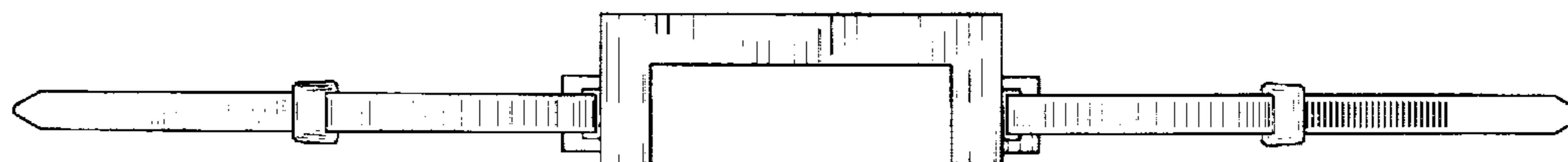
1 Claim, 4 Drawing Sheets

[57] **CLAIM**

The ornamental design for a electric plug retainer, as shown.

DESCRIPTION

FIG. 1 is a front plan view of the electric plug retainer of the present invention;
 FIG. 2 is a back plan view of the electric retainer of FIG. 1;
 FIG. 3 is a left side plan view of the electric plug retainer of FIG. 1;
 FIG. 4 is a right side plan view of the electric plug retainer of FIG. 1;
 FIG. 5 is a top plan view of the electric plug retainer of FIG. 1;
 FIG. 6 is a bottom plan view of the electric plug retainer of FIG. 1; and
 FIG. 7 is an environmental perspective view with one of the straps detached for clarity of illustration.
 The broken line showing of a wall outlet is for illustrative purposes only and forms no part of the claimed design.



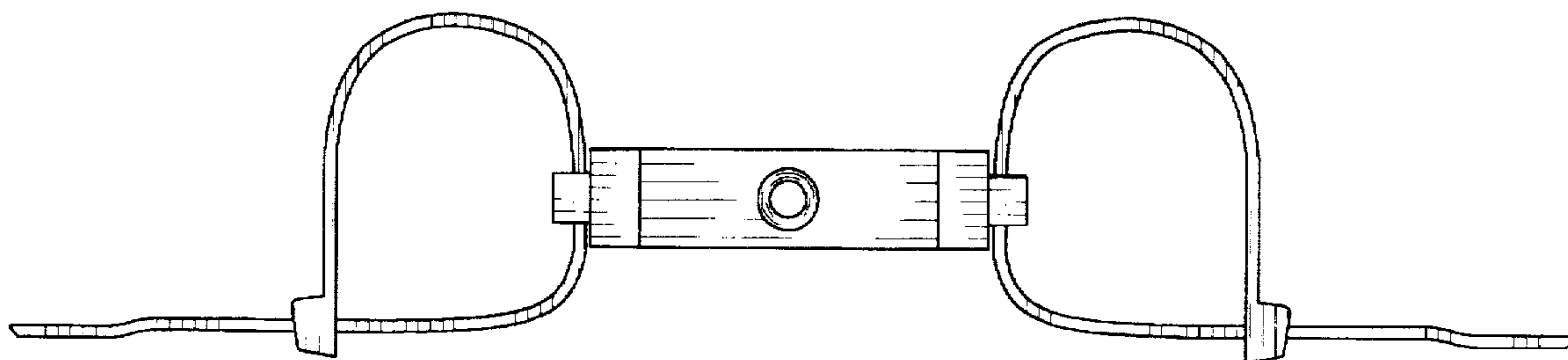


Fig. 1

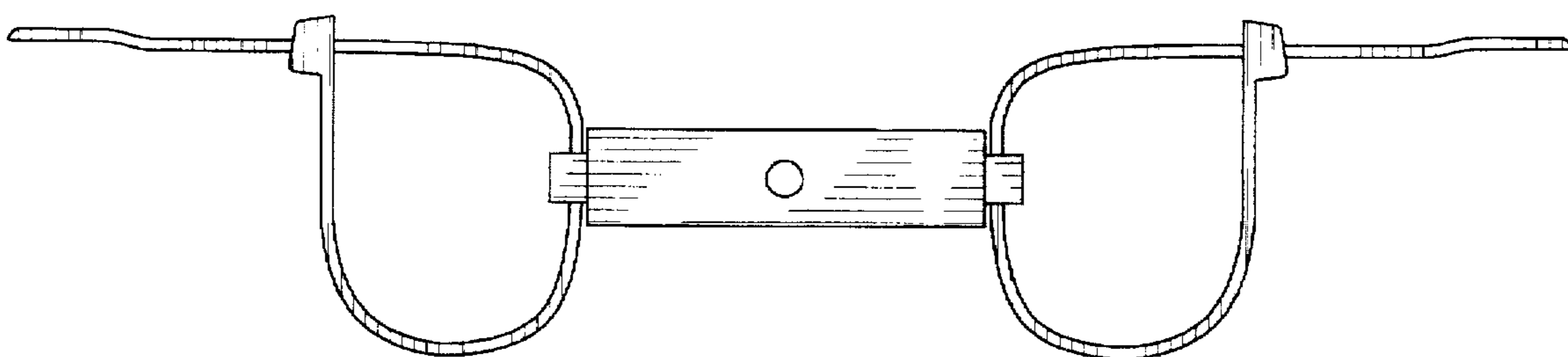


Fig. 2

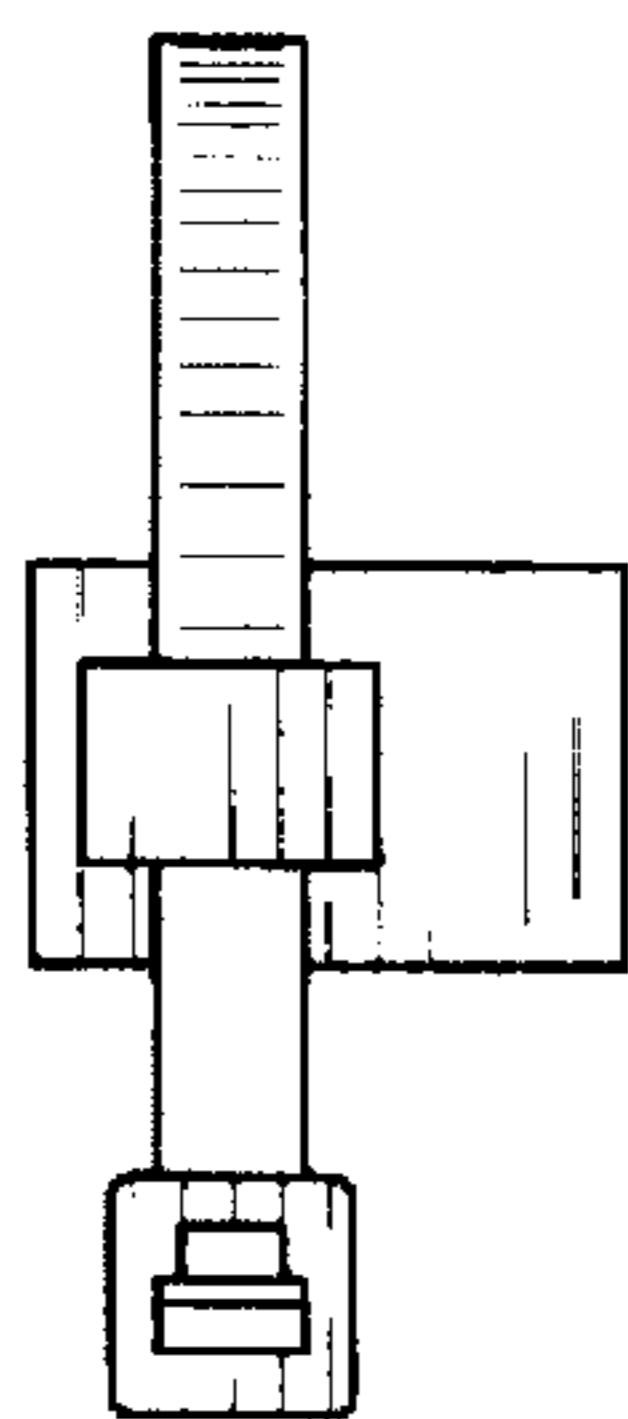


Fig. 4

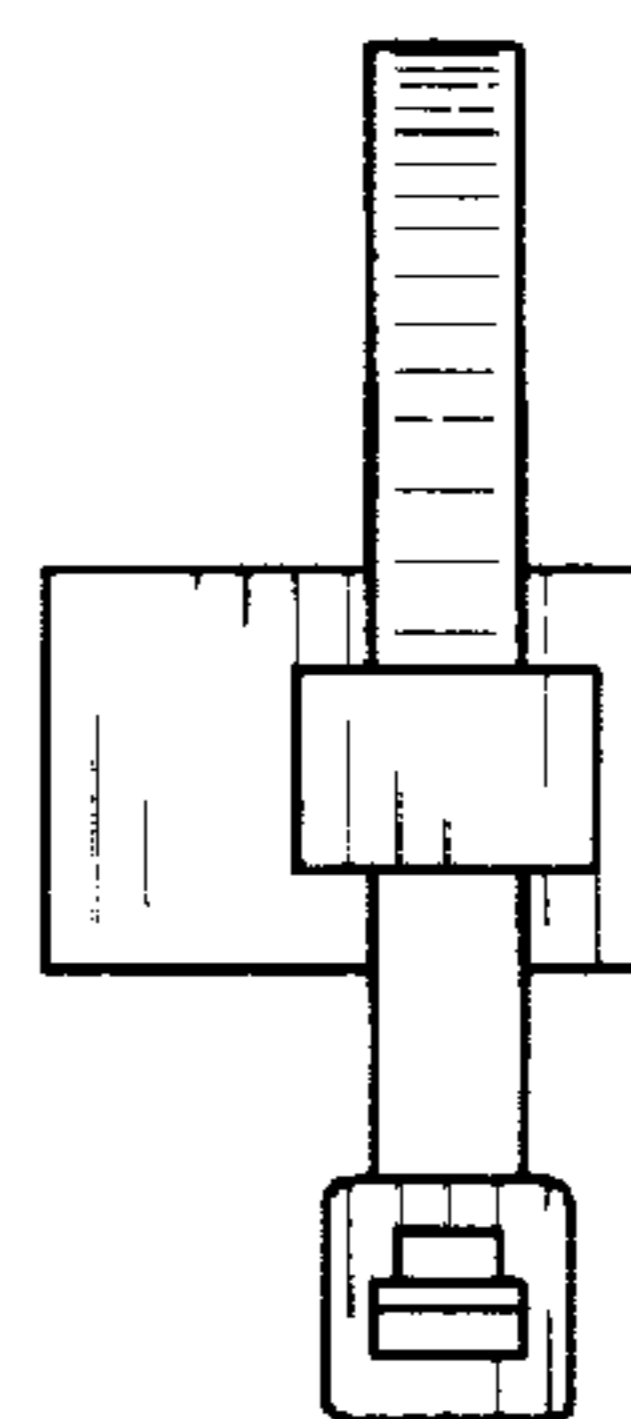


Fig. 3

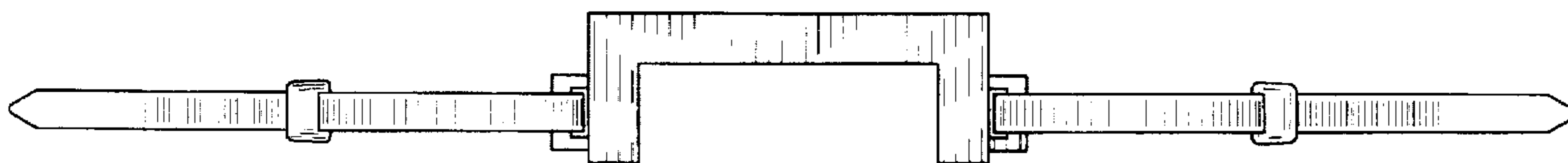


Fig. 5

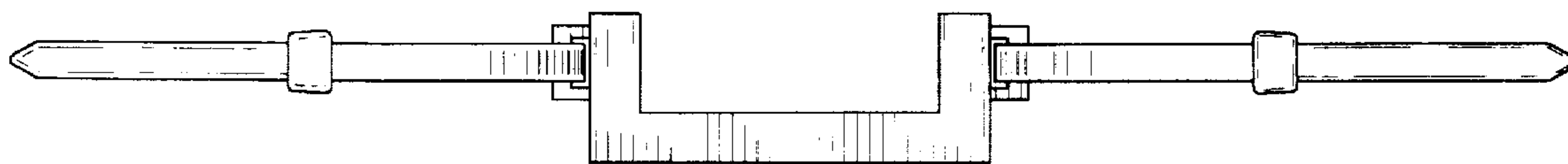


Fig. 6

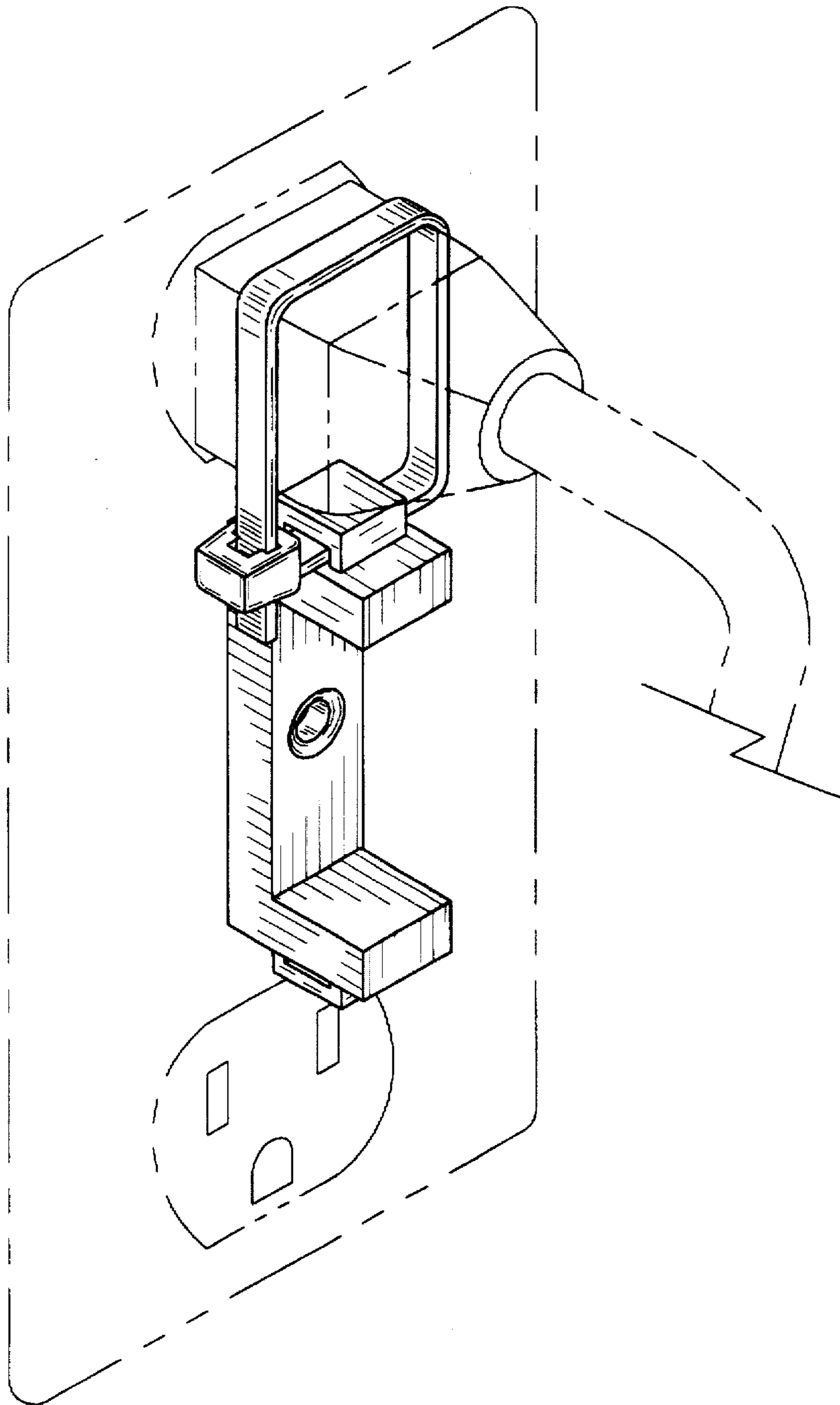


Fig. 7