



US00D395000S

**United States Patent** [19]  
**Bartz, Jr.**

[11] **Patent Number:** **Des. 395,000**  
[45] **Date of Patent:** **\*\*Jun. 9, 1998**

[54] **SPLIT COLLAR FOR ADJUSTABLE  
SHELVING**

D. 383,378 9/1997 Schrader et al. .... D8/382

[75] **Inventor:** **William L. Bartz, Jr.**, Dover, Del.

*Primary Examiner*—Holly Baynham  
*Attorney, Agent, or Firm*—Connolly & Hutz

[73] **Assignee:** **Metal Masters Foodservice &  
Equipment Co., Inc.**, Clayton, Del.

[57] **CLAIM**

[\*\*] **Term:** **14 Years**

The ornamental design for a split collar for adjustable shelving, shown and described.

[21] **Appl. No.:** **75,646**

**DESCRIPTION**

[22] **Filed:** **Sep. 4, 1997**

**FIG. 1** is a right side elevational view of a split collar for adjustable shelving showing my new design, the left side elevational view being identical;  
**FIG. 2** is a front elevational view thereof;  
**FIG. 3** is a rear elevational view thereof;  
**FIG. 4** is a top plan view thereof;  
**FIG. 5** is a bottom plan view thereof;  
**FIG. 6** is a perspective view of the front half thereof; and,  
**FIG. 7** is a perspective view of the rear half thereof.  
The claimed design is shown detached in **FIGS. 6 and 7** for clarity of illustration.

[51] **LOC (6) Cl.** ..... **08-08**

[52] **U.S. Cl.** ..... **D8/382**

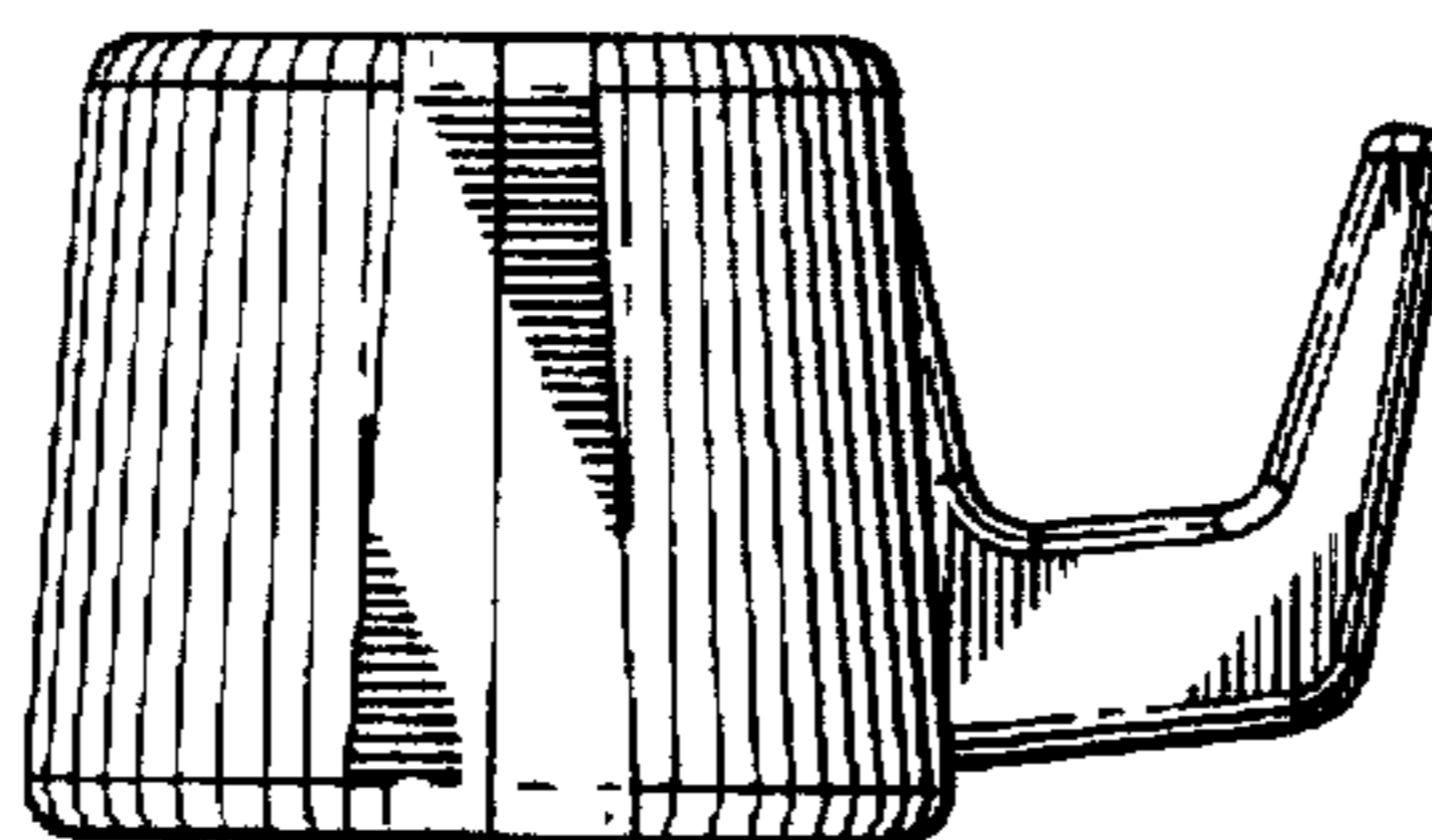
[58] **Field of Search** ..... D8/354, 380, 382;  
248/220.21, 220.23, 243, 250; 403/109,  
170, 169, 173, 405.1

[56] **References Cited**

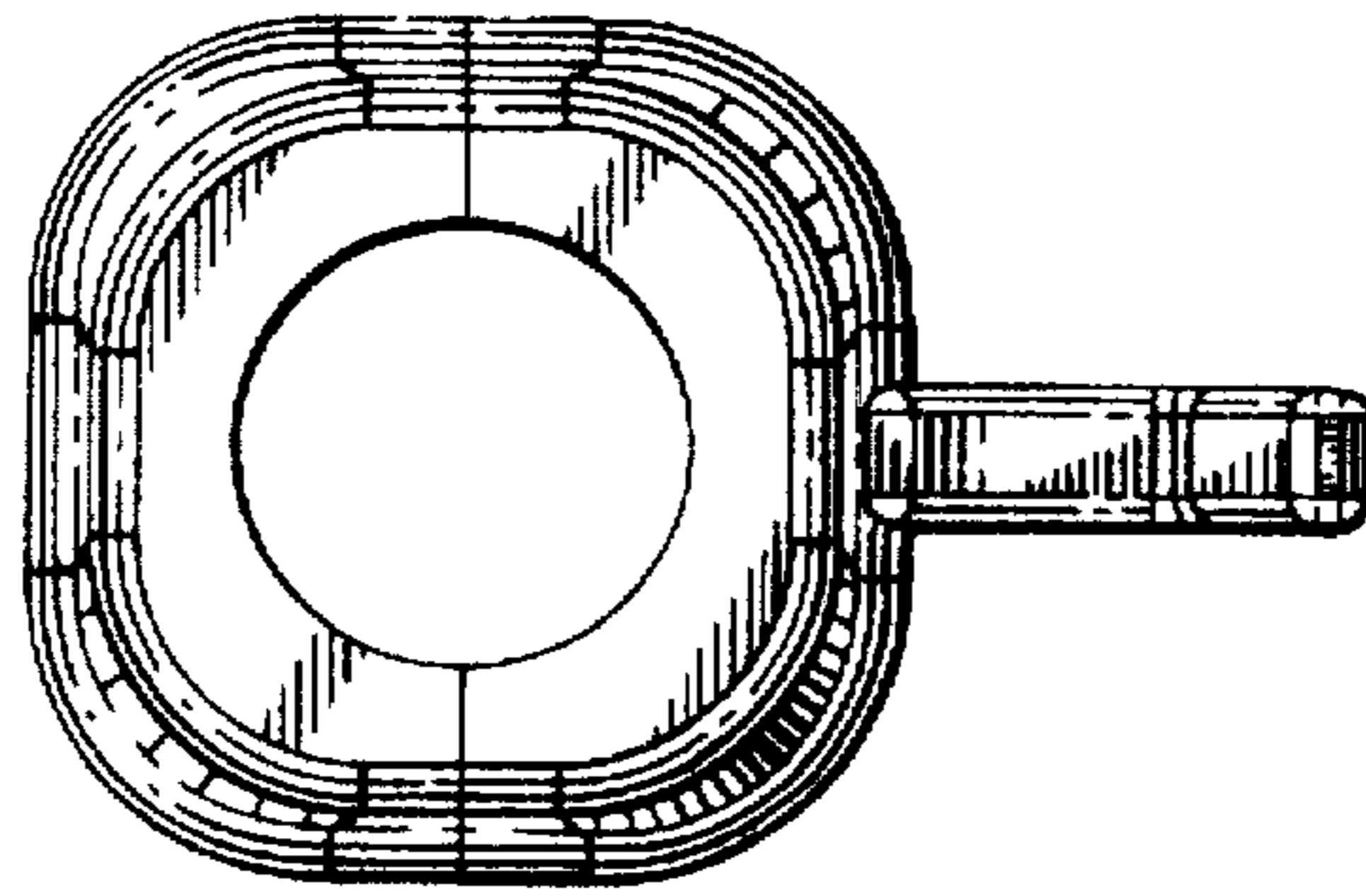
**U.S. PATENT DOCUMENTS**

- D. 369,958 5/1996 Huang et al. .... D8/382 X
- D. 374,608 10/1996 Shoda ..... D8/382

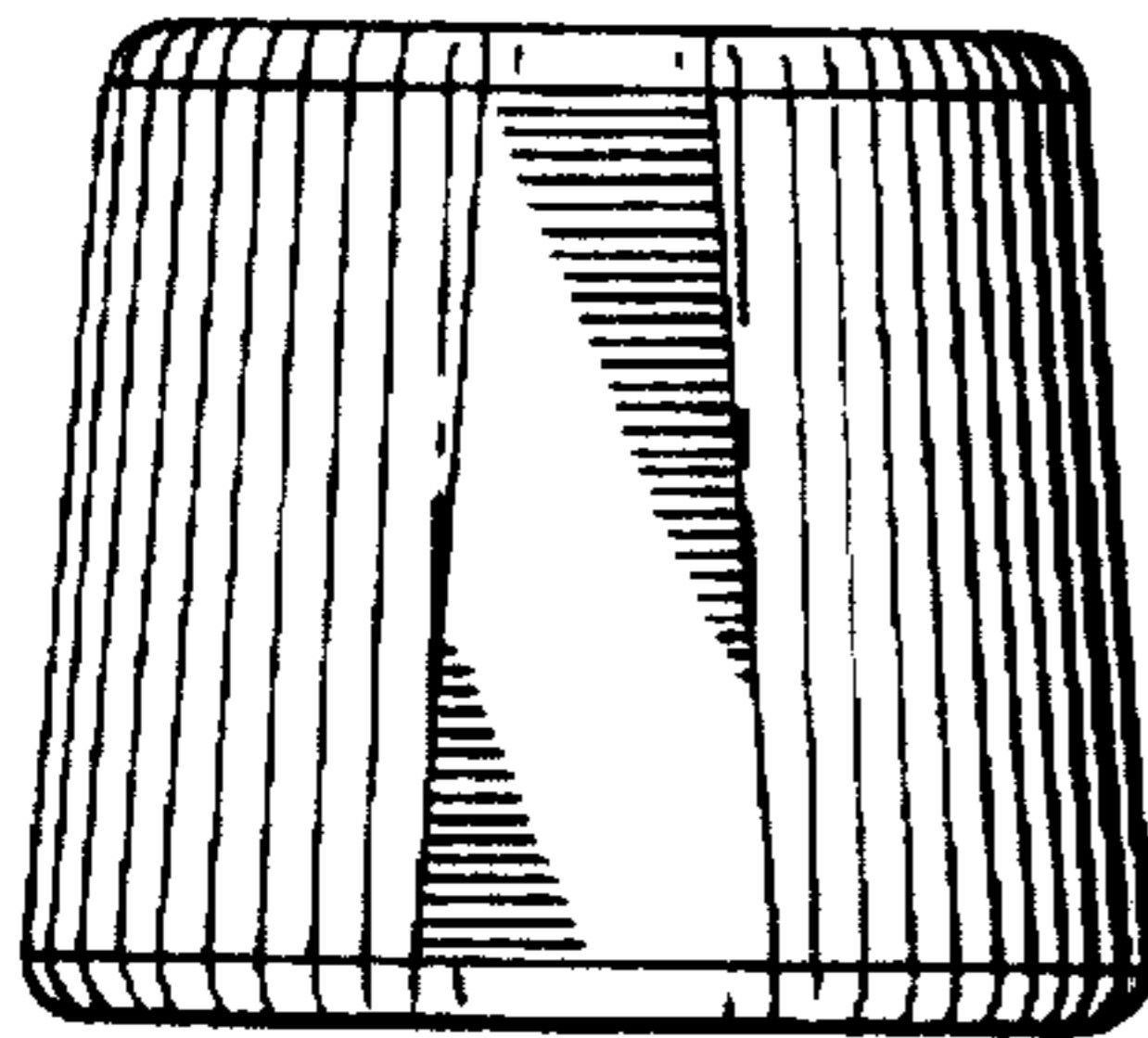
**1 Claim, 1 Drawing Sheet**



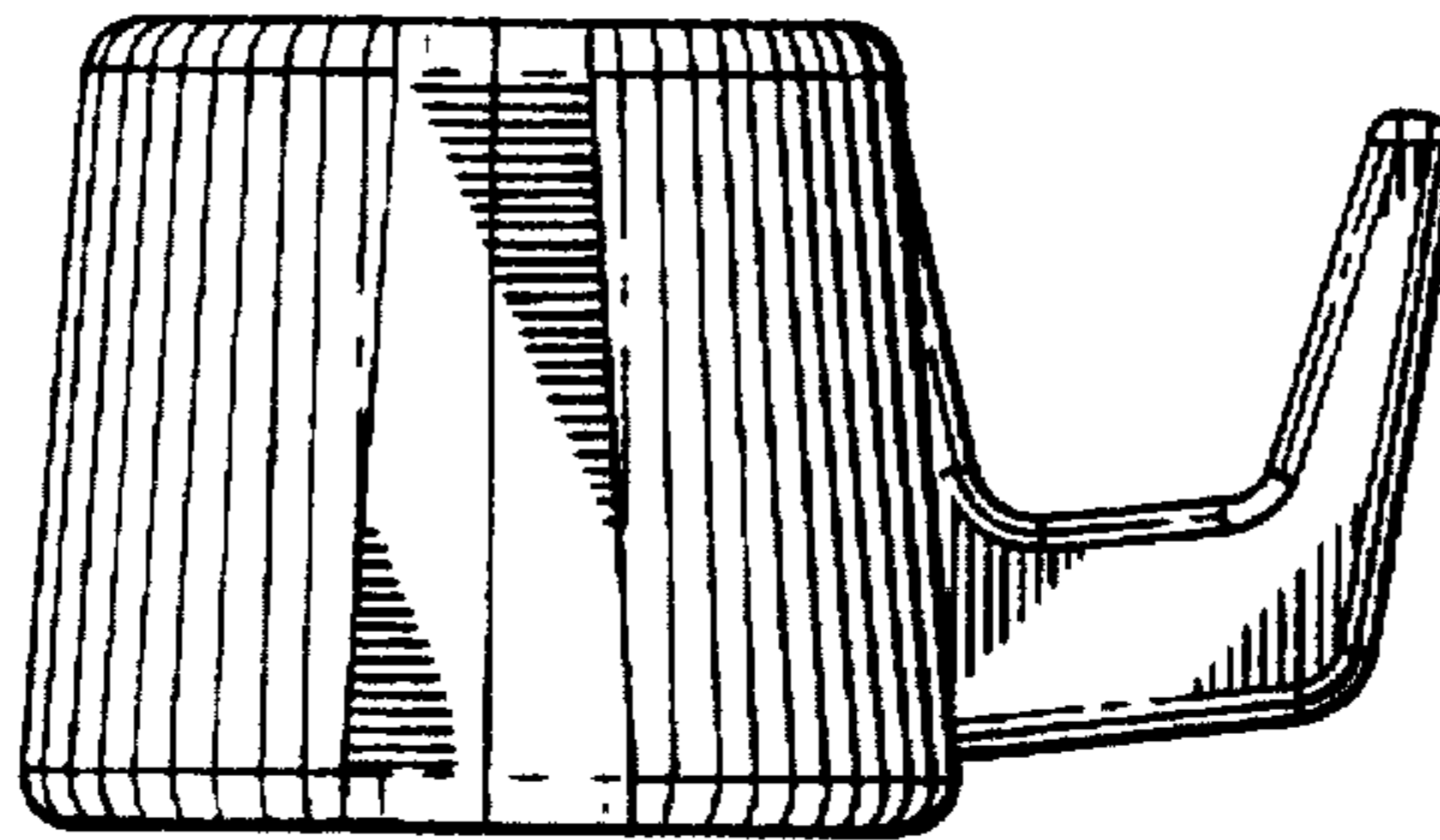
*Fig. 4.*



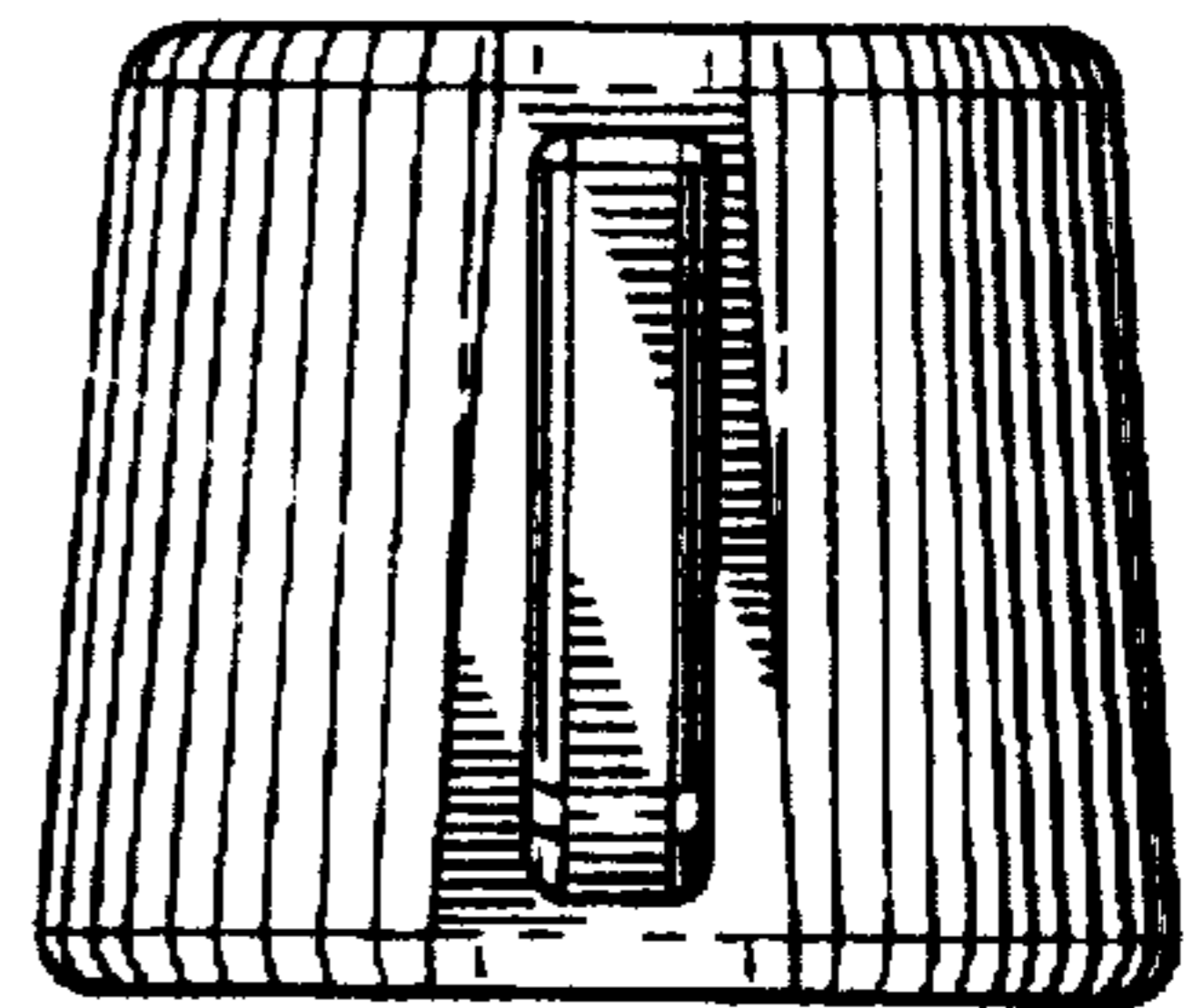
*Fig. 2.*



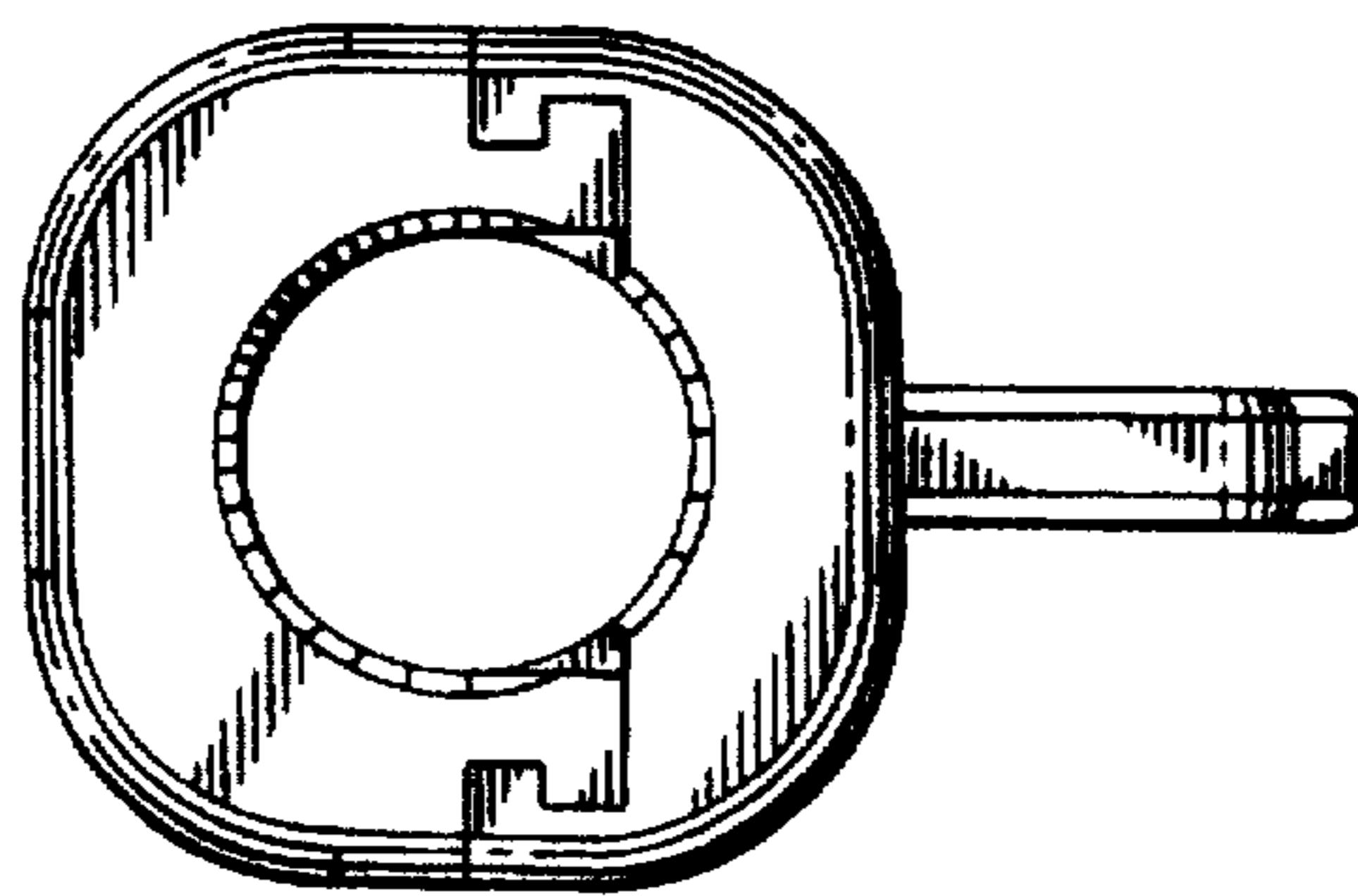
*Fig. 1.*



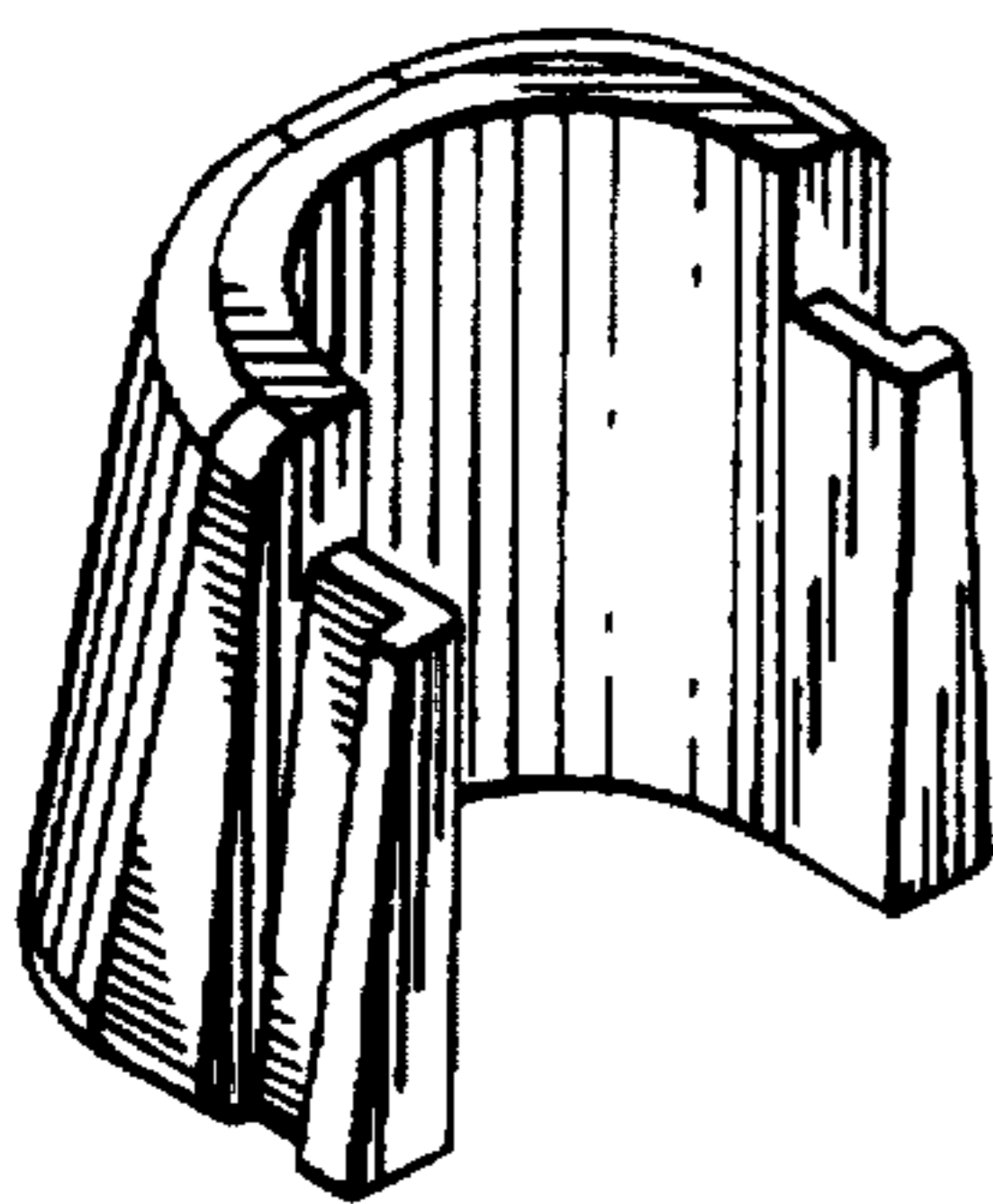
*Fig. 3.*



*Fig. 5.*



*Fig. 6.*



*Fig. 7.*

