



US00D394999S

United States Patent [19]
Phillip

[11] **Patent Number:** **Des. 394,999**
[45] **Date of Patent:** ****Jun. 9, 1998**

[54] **FITTING UNIT FOR SECURING PLATES TO PIPES**

[75] **Inventor:** **Gunnar Phillip**, Ryslinge, Denmark

[73] **Assignee:** **Kompan A/S**, Ringe, Denmark

[**] **Term:** **14 Years**

[21] **Appl. No.:** **58,448**

[22] **Filed:** **Aug. 15, 1996**

[30] **Foreign Application Priority Data**

Feb. 22, 1996 [DK] Denmark MA 0195/96

[51] **LOC (6) Cl.** **11-05**

[52] **U.S. Cl.** **D8/380**

[58] **Field of Search** D8/349, 354, 380;
249/49, 62, 57, 59-60, 300

[56] **References Cited**

U.S. PATENT DOCUMENTS

D. 233,733	11/1974	Byerly	D8/356	X
1,246,325	11/1917	Rohmer	248/300	X
1,462,671	7/1923	Vrba	248/300	X
5,024,404	6/1991	Ballard	248/62	

OTHER PUBLICATIONS

Drag Specialties Catalog, p. 425, mounting clamp item B circled at top right of page, Feb. 1987.

Montrose Catalog, p. 238, bracket-item KSM located at bottom right corner of page, May 1977.

Primary Examiner—Holly Baynham

Attorney, Agent, or Firm—McAulay Fisher Nissen Goldberg & Kiel, LLP

[57] **CLAIM**

The ornamental design for fitting unit for securing plates to pipes, as shown and described.

DESCRIPTION

FIG. 1 is a perspective view of a fitting unit for securing plates to pipes shown detached for clarity of illustration;

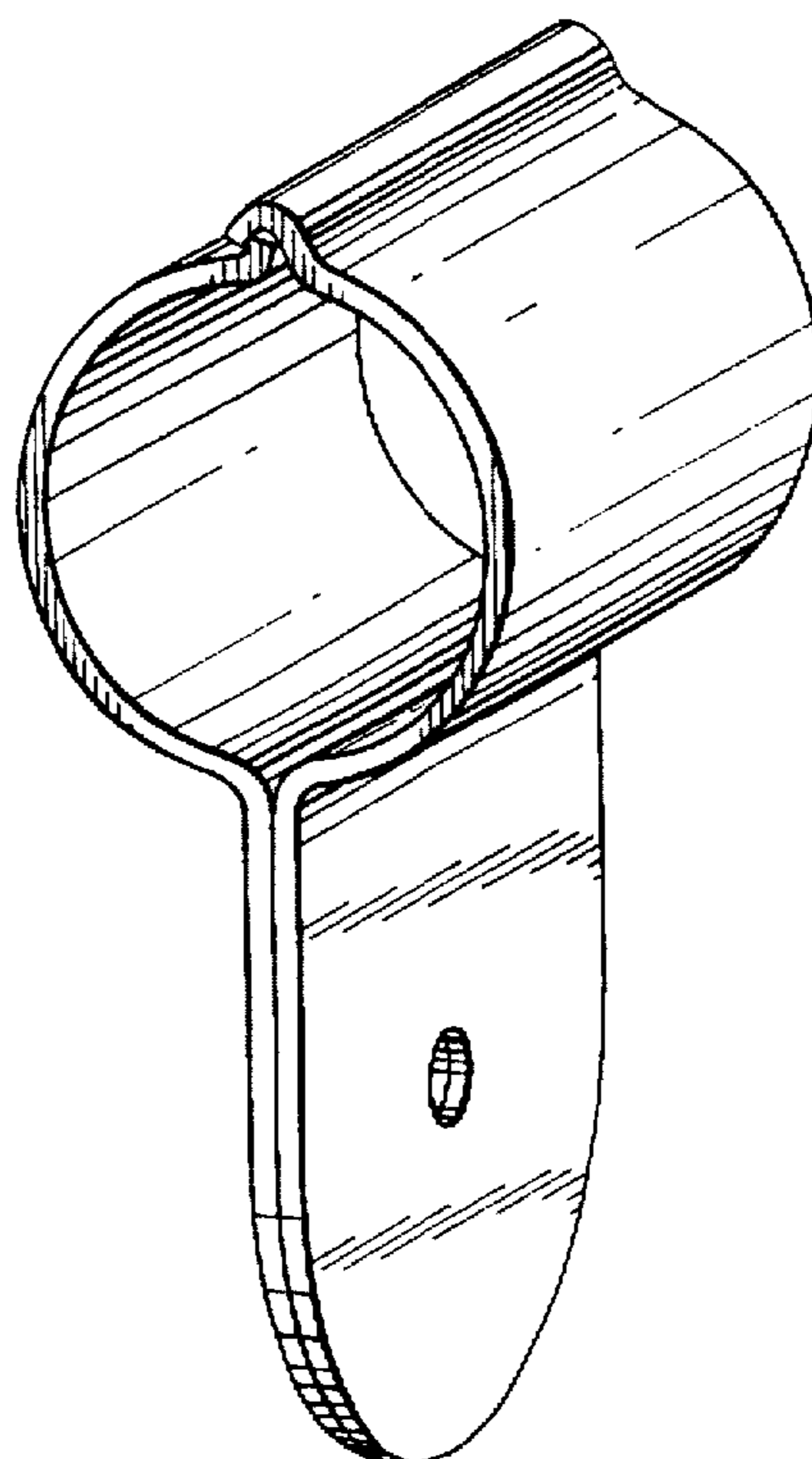
FIG. 2 is a perspective view of the parts shown in FIG. 1 when assembled;

FIG. 3 is a reduced environmental perspective view of the claimed design in detached form; and,

FIG. 4 is a reduced environmental perspective view of the claimed design fully assembled;

The broken line showing of a fragmented plate, pipe and fittings are for illustrative purposes only and form no part of the claimed design.

1 Claim, 2 Drawing Sheets



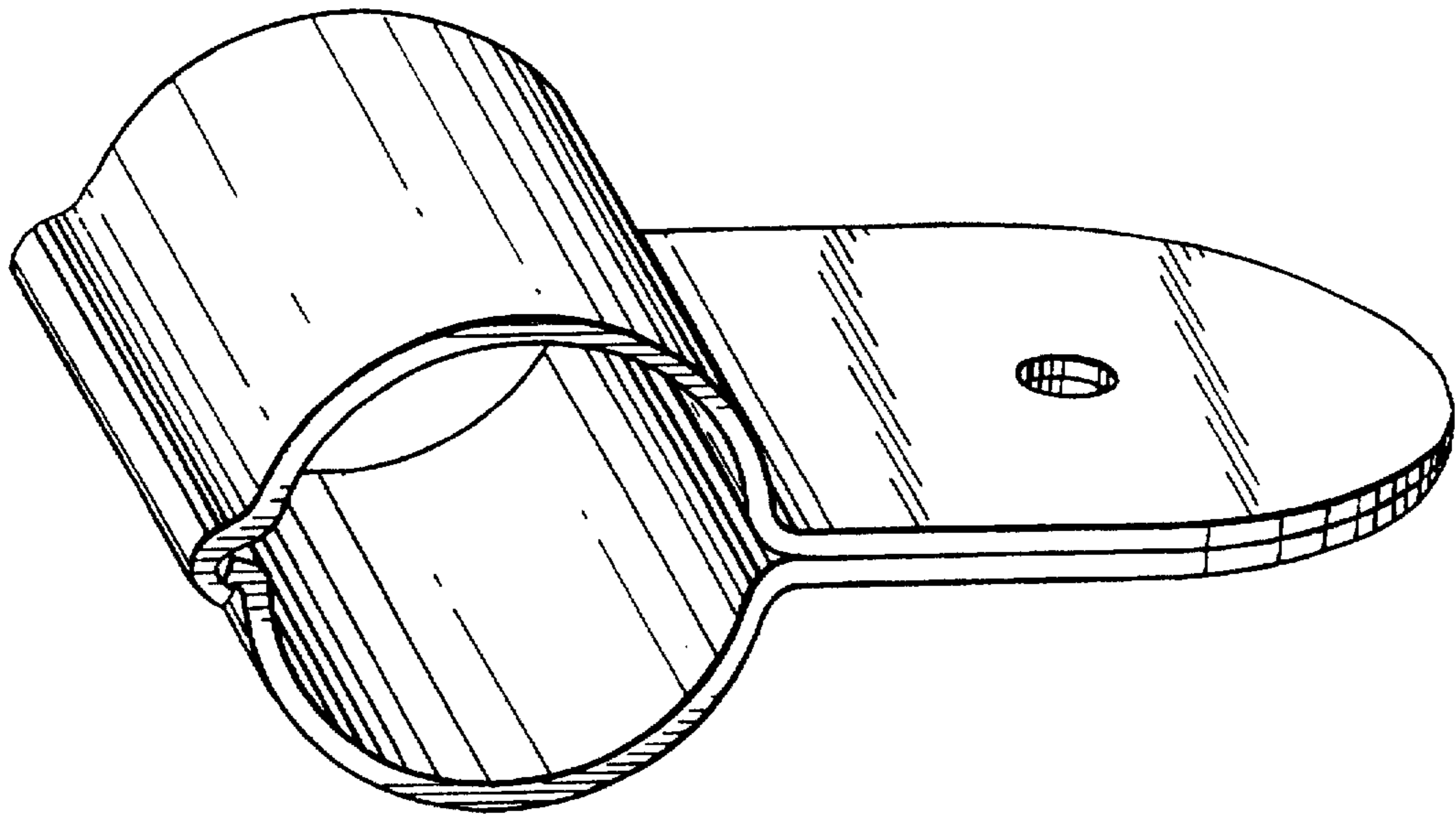


FIG. 2

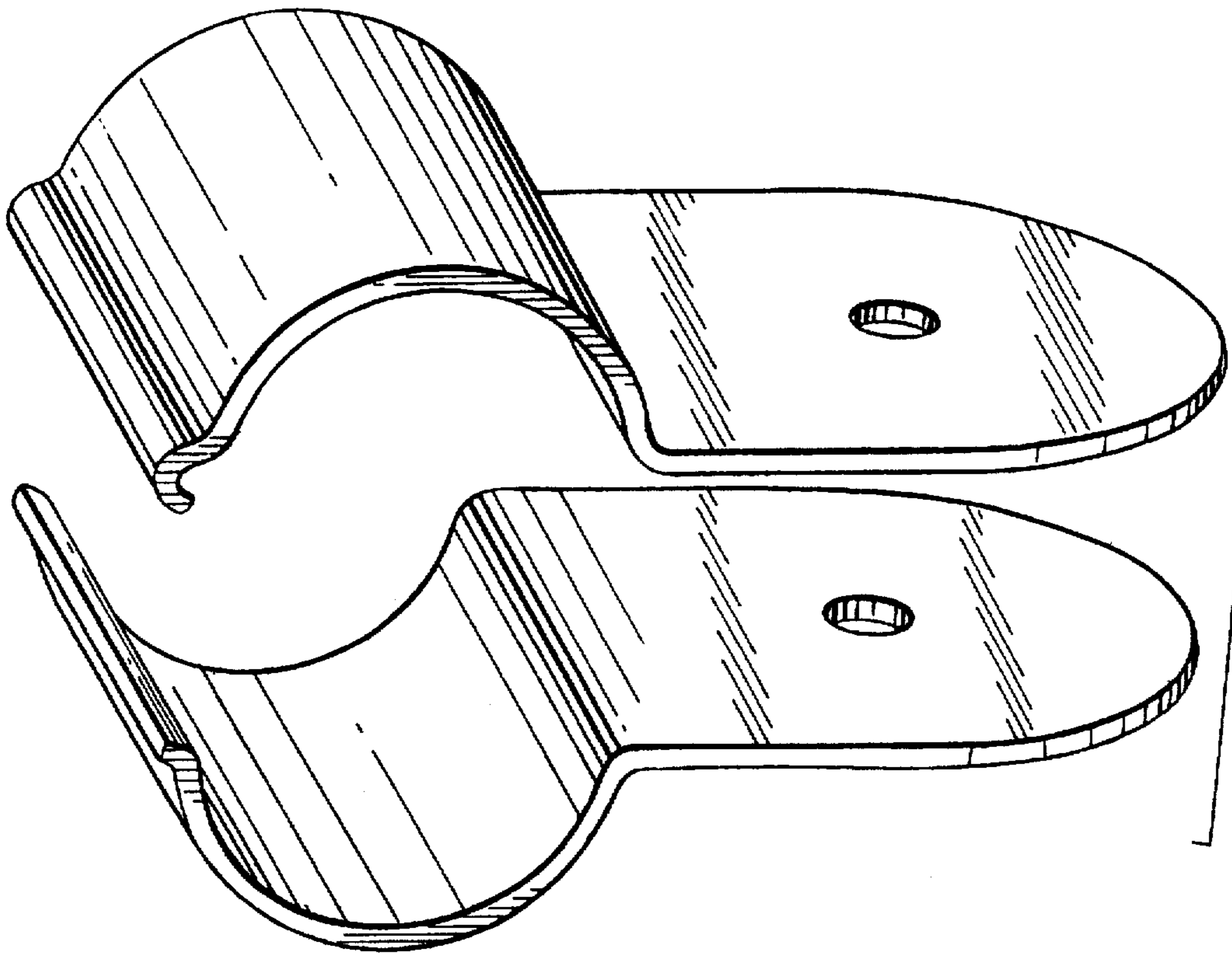


FIG. 1

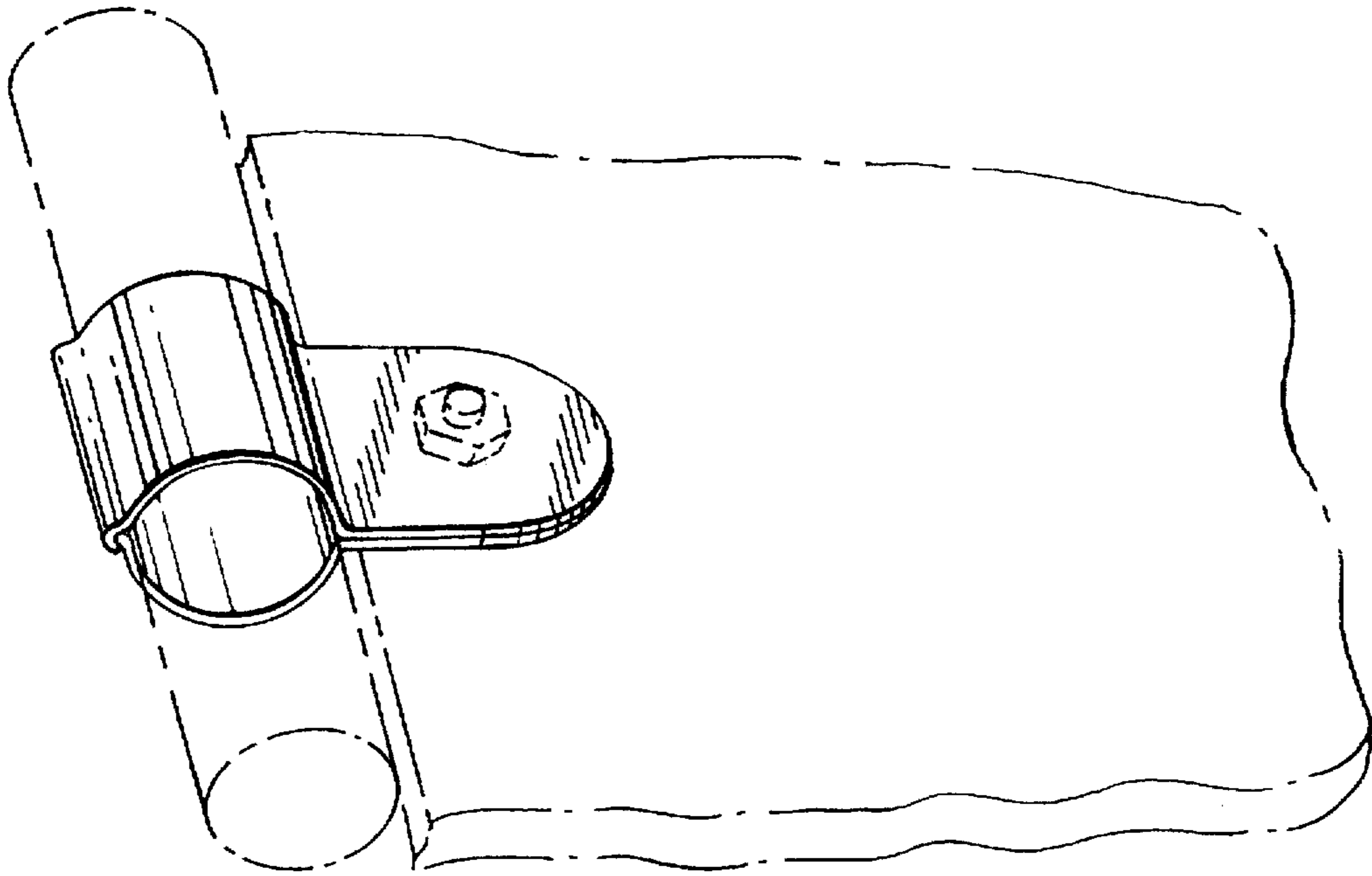


FIG. 4

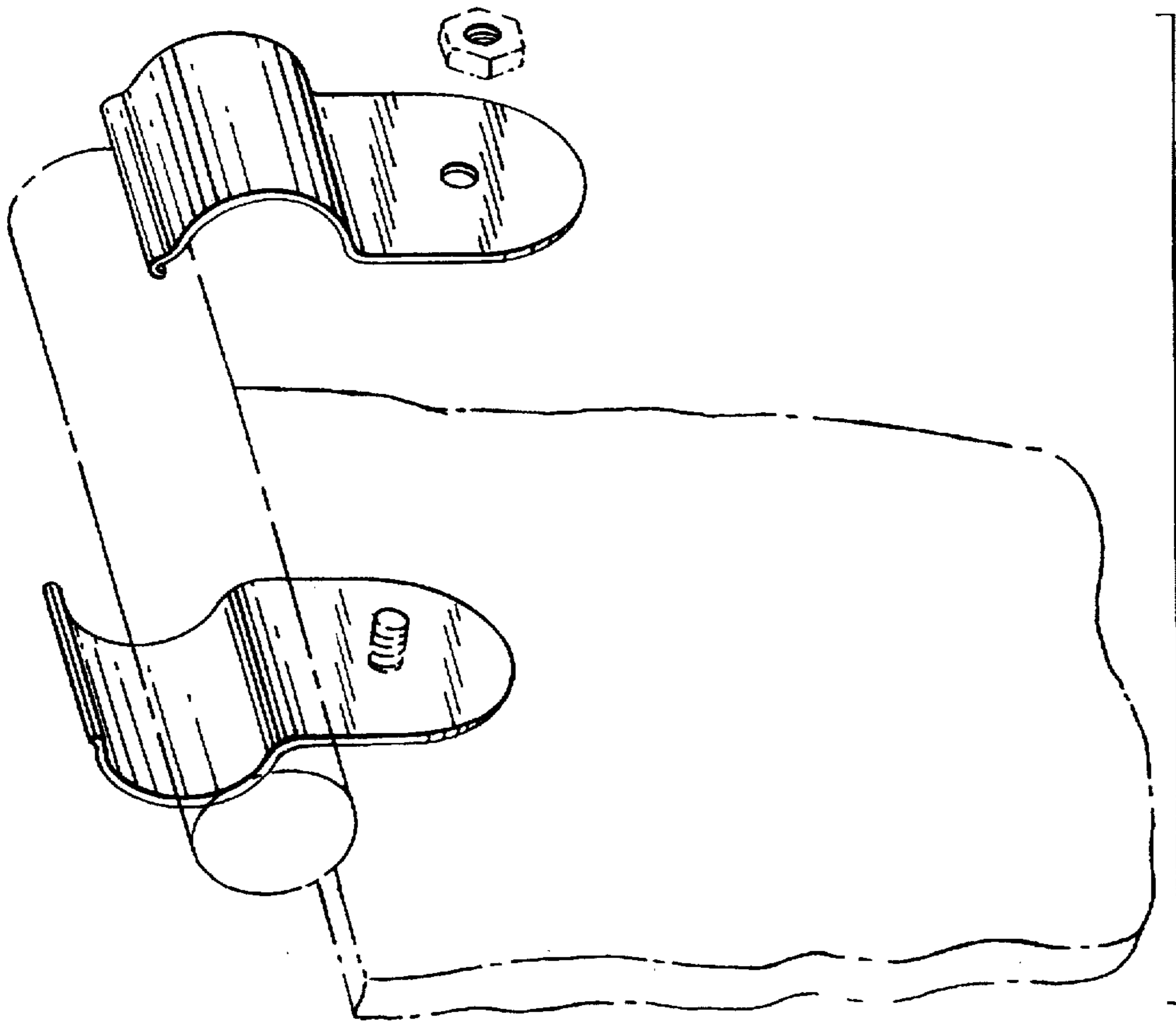


FIG. 3