



US00D394996S

United States Patent [19] Fong

[11] Patent Number: **Des. 394,996**

[45] Date of Patent: ****Jun. 9, 1998**

[54] **STAPLE REMOVER**

2,857,595 10/1958 Marano 227/63

[76] Inventor: **Eloy Morales Fong**, Presa del Bosque
No. 2012 Col. Lomas del Santuario 2a.
Etapa, 31200 Chihuahua, Chihuahua,
Mexico

FOREIGN PATENT DOCUMENTS

3-287386 12/1991 Japan 254/28

[**] Term: **14 Years**

Primary Examiner—Philip S. Hyder
Assistant Examiner—Adir Aronovich
Attorney, Agent, or Firm—Baker & McKenzie

[21] Appl. No.: **64,324**

[57] **CLAIM**

[22] Filed: **Dec. 25, 1996**

The ornamental design for a staple remover, as shown and described.

[51] LOC (6) Cl. **19-02**

[52] U.S. Cl. **D8/48; D8/14**

[58] Field of Search D8/14, 48; 254/28;
227/63

DESCRIPTION

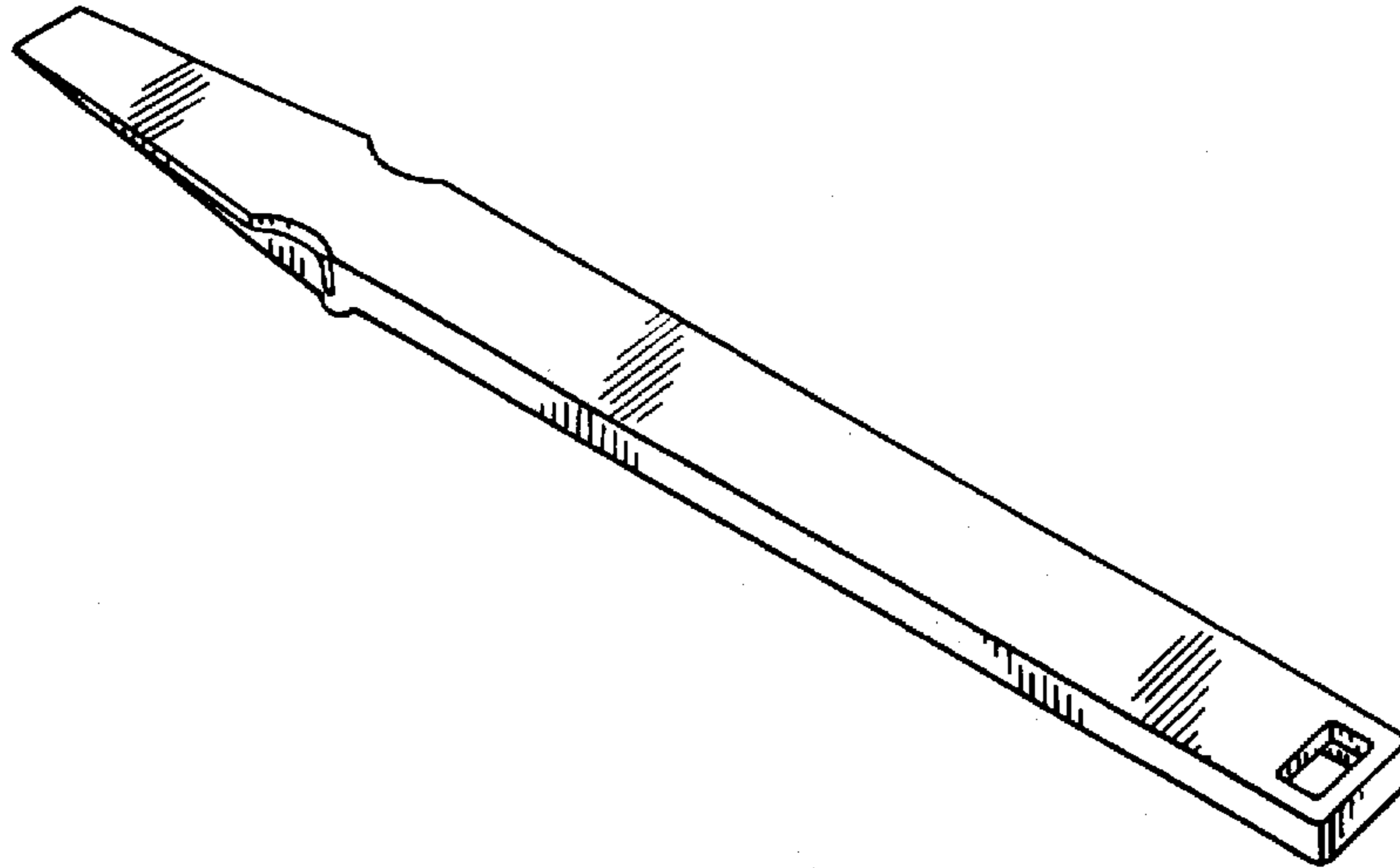
FIG. 1 is a perspective view of a staple remover embodying my invention;
FIG. 2 is a top plan view thereof;
FIG. 3 is a side elevational view thereof;
FIG. 4 is a bottom view thereof;
FIG. 5 is an end view thereof; and,
FIG. 6 is an alternate end view thereof.

[56] References Cited

U.S. PATENT DOCUMENTS

D. 183,081 6/1958 Barton D8/48
D. 295,362 4/1988 Furman D8/48
1,751,948 3/1930 Reich 254/28

1 Claim, 1 Drawing Sheet



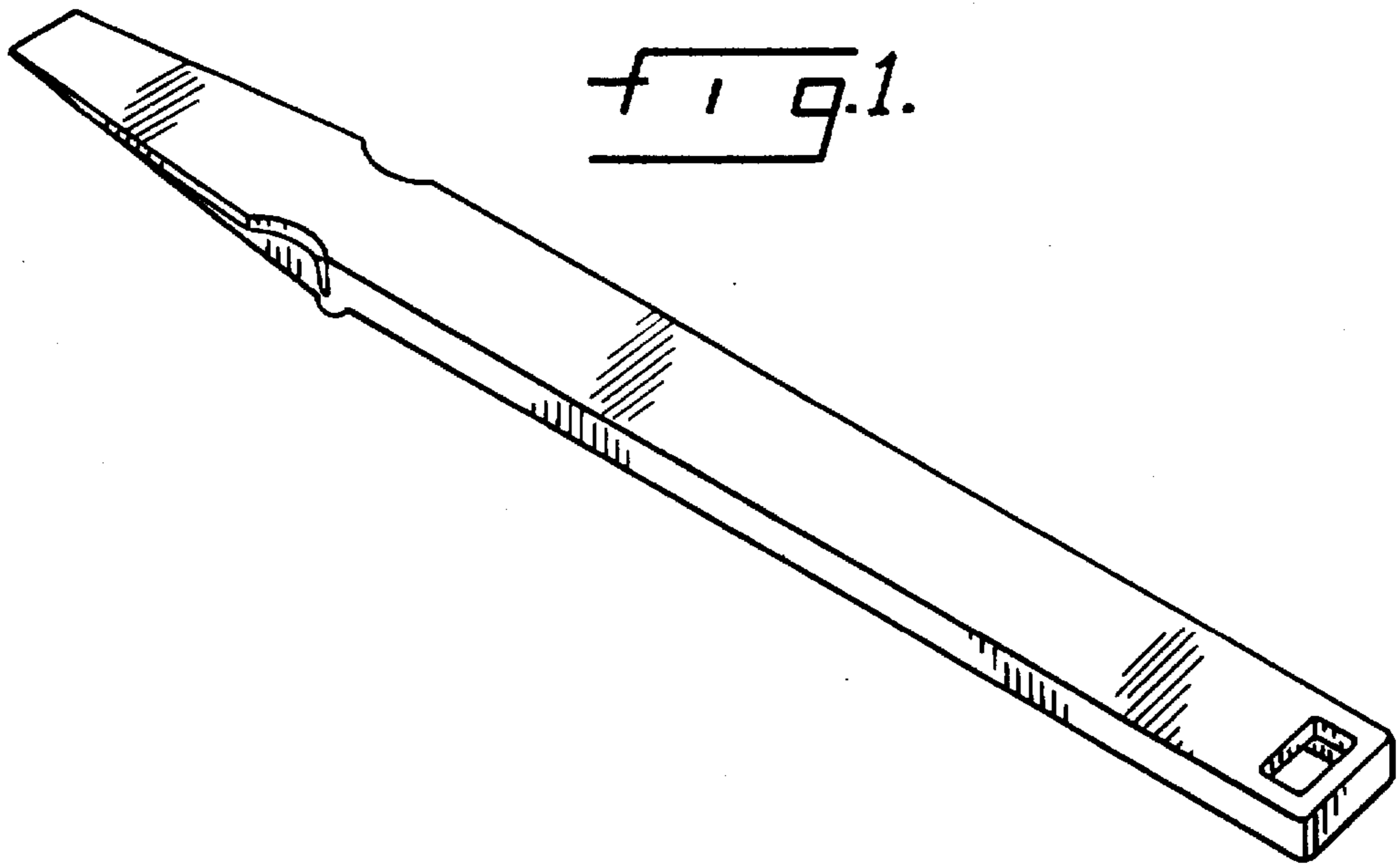


FIG. 1.



FIG. 2.



FIG. 3.



FIG. 4.



FIG. 5.



FIG. 6.