



US00D394995S

United States Patent [19]
Cooper

[11] **Patent Number:** **Des. 394,995**
[45] **Date of Patent:** ****Jun. 9, 1998**

[54] **DRILL**

[76] **Inventor:** **Vincent Paul Cooper**, 1154 Ridge Rd., Pylesville, Md. 21132

[**] **Term:** **14 Years**

[21] **Appl. No.:** **74,720**

[22] **Filed:** **Aug. 6, 1997**

[51] **LOC (6) Cl.** **08-01**

[52] **U.S. Cl.** **D8/68**

[58] **Field of Search** D8/68, 62; 74/371; 81/57.11, 57.43, 177.6, 436, 438; 178/170, 217

[56] **References Cited**

U.S. PATENT DOCUMENTS

D. 167,826	9/1952	Doeden	D54/14
D. 332,208	1/1993	Sakamoto et al.	D8/68
D. 368,214	3/1996	Zurwelle	D8/68
D. 377,442	1/1997	Kikuchi	D8/61
D. 377,893	2/1997	Lui	D8/68
D. 378,268	3/1997	Schultz	D8/68
D. 380,952	7/1997	Kim	D8/68
D. 382,457	8/1997	Ghode et al.	D8/68

Primary Examiner—Antoine Duval Davis
Attorney, Agent, or Firm—Bruce S. Shapiro; Dennis A. Dearing; John D. Del Ponti

[57] **CLAIM**

The ornamental design for a drill, as shown and described.

DESCRIPTION

FIG. 1 is a perspective view of a drill showing a first embodiment of my new design;

FIG. 2 is a left side elevational view thereof;

FIG. 3 is a right side elevational view thereof;

FIG. 4 is a front elevational view thereof;

FIG. 5 is a rear elevational view thereof;

FIG. 6 is a top plan view thereof;

FIG. 7 is a bottom plan view thereof;

FIG. 8 is a perspective view of a drill showing a second embodiment of my new design;

All views of embodiment 2 not shown are identical to those shown in FIGS. 1-7 with the exception of the chuck assembly.

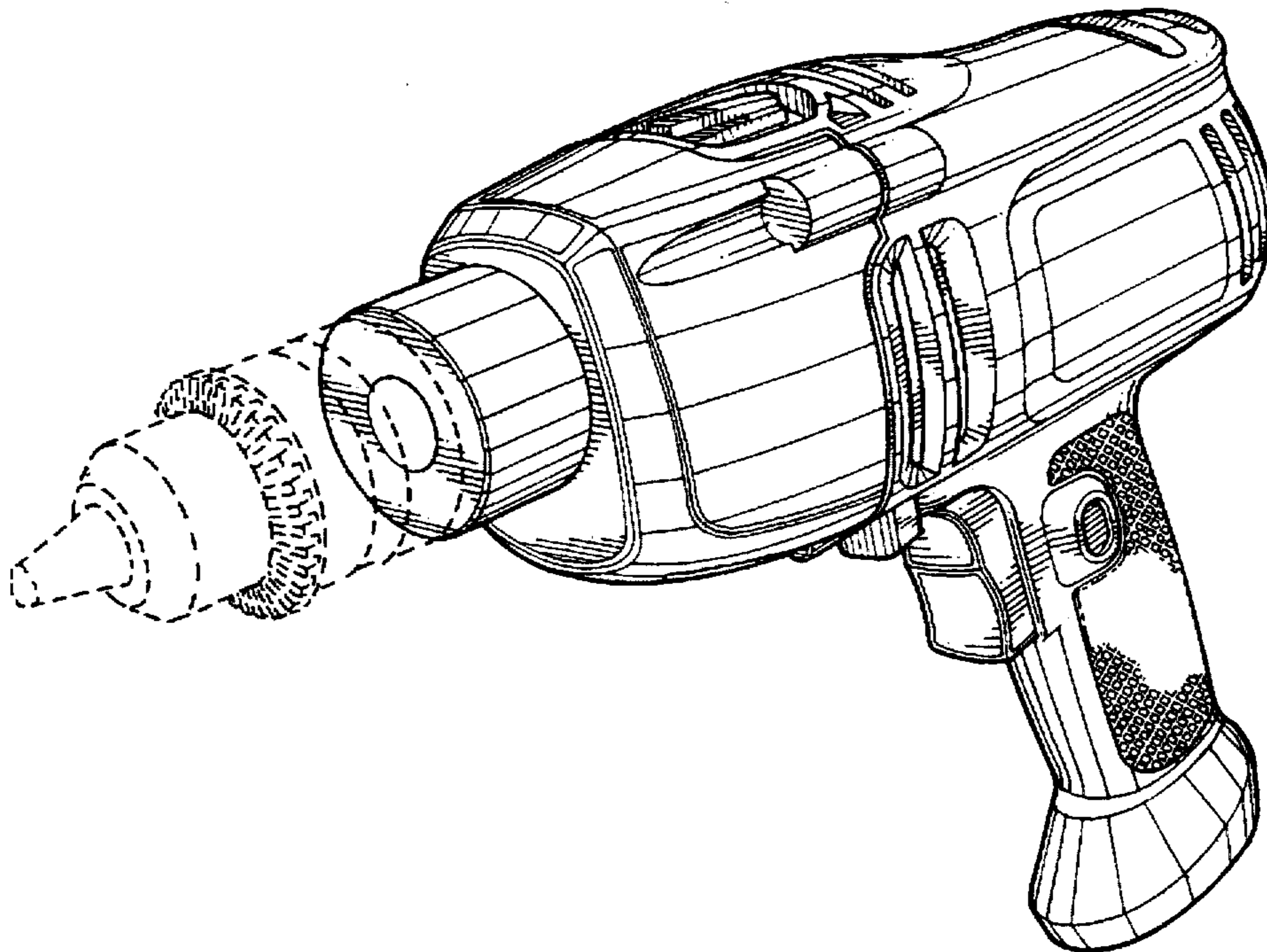
FIG. 9 is a perspective view of a drill showing a third embodiment of my new design; and,

FIG. 10 is a top plan view of the drill shown in FIG. 9.

All views of embodiment 3 not shown are identical to those shown in FIGS. 1-7 with the exception of the top view and the chuck assembly.

In FIGS. 1-7, the dashed line shows environment and does not form a part of the invention.

1 Claim, 9 Drawing Sheets



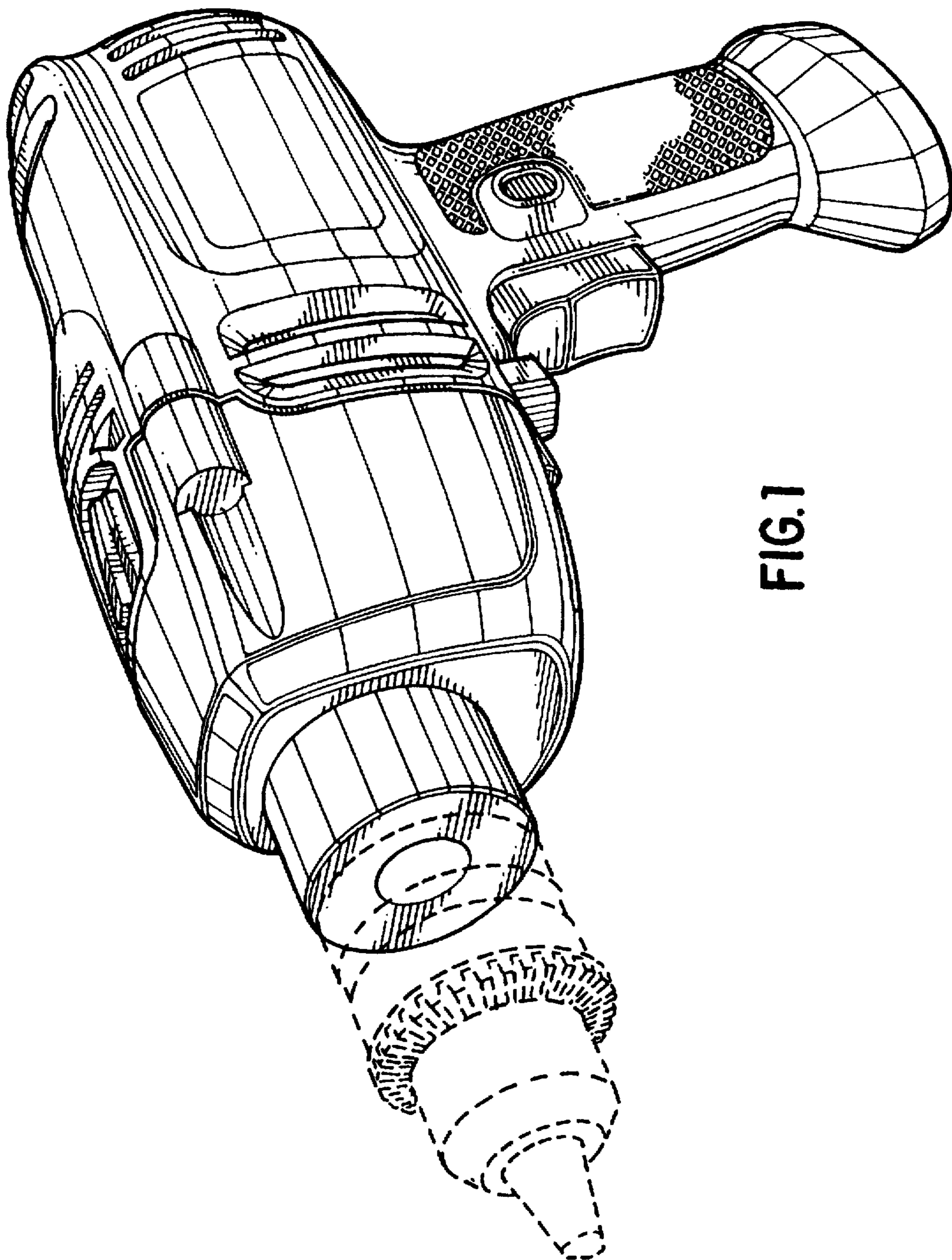


FIG. 1

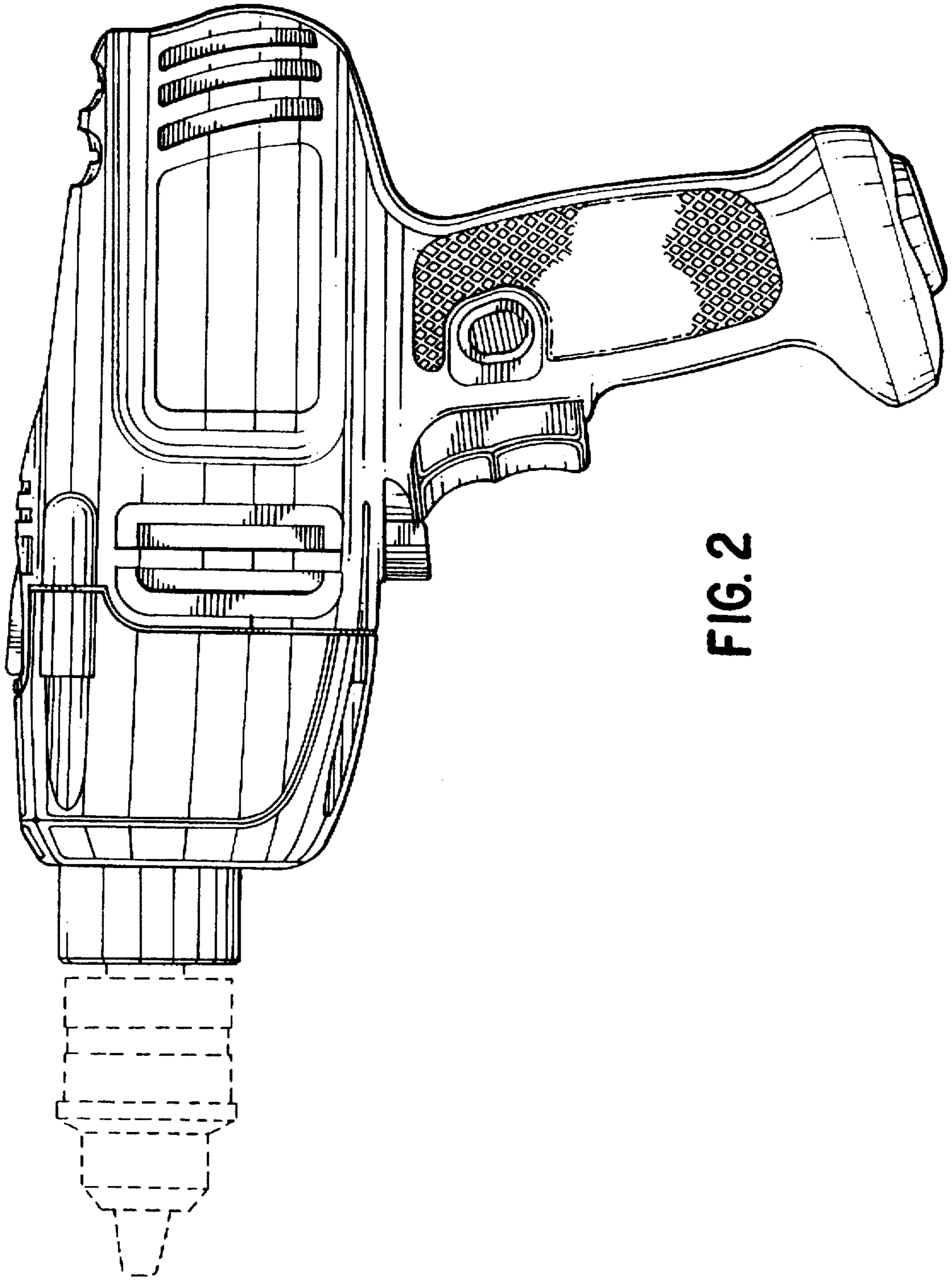


FIG. 2

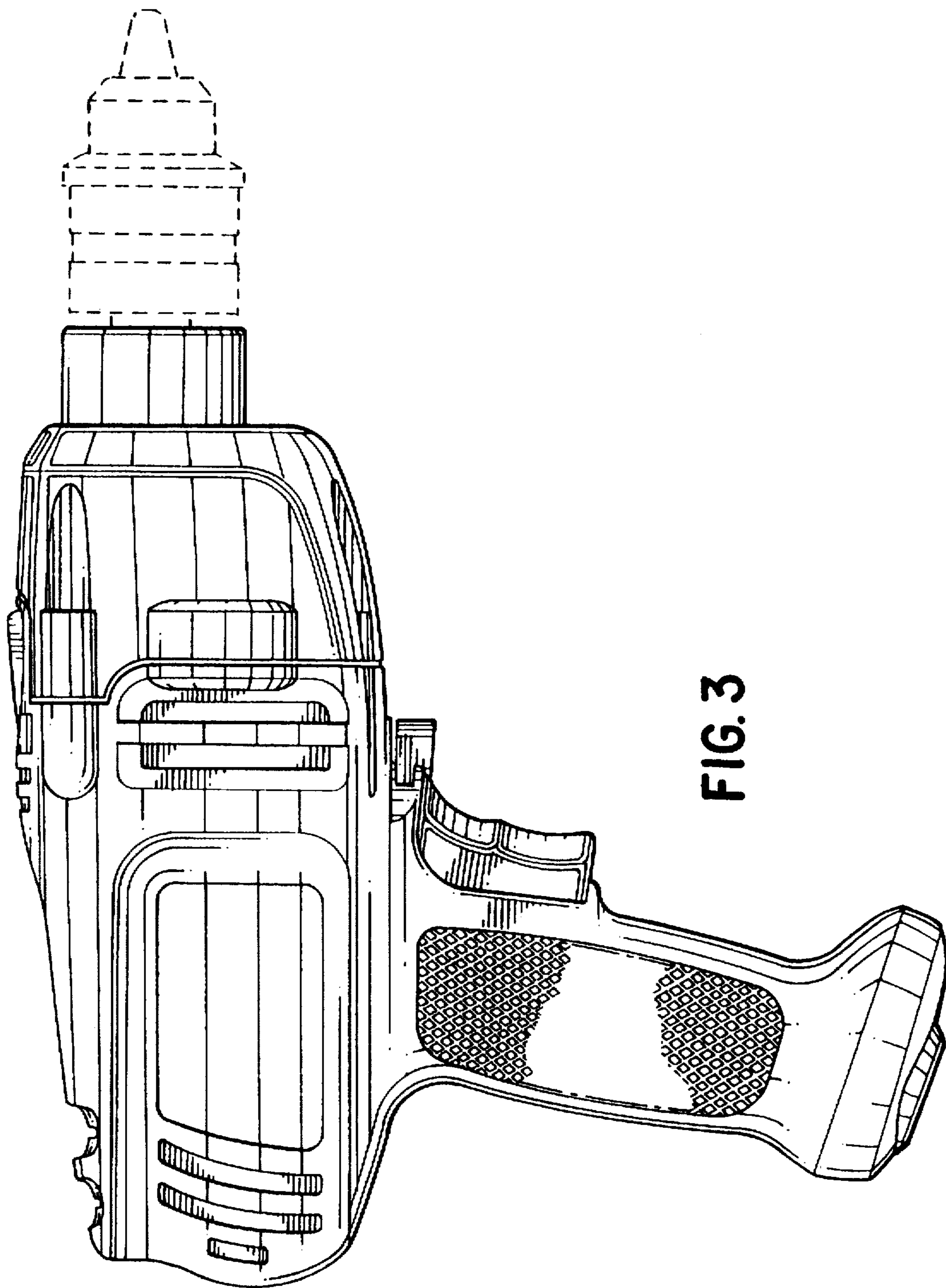


FIG. 3

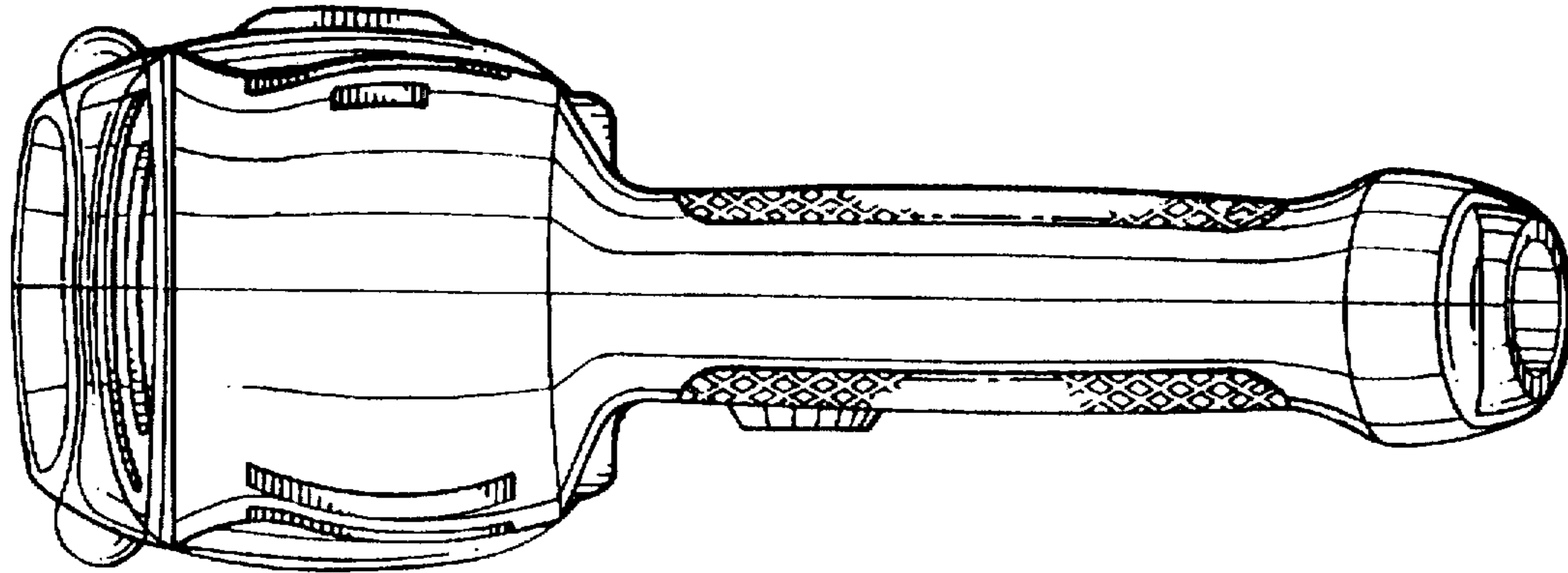


FIG. 5

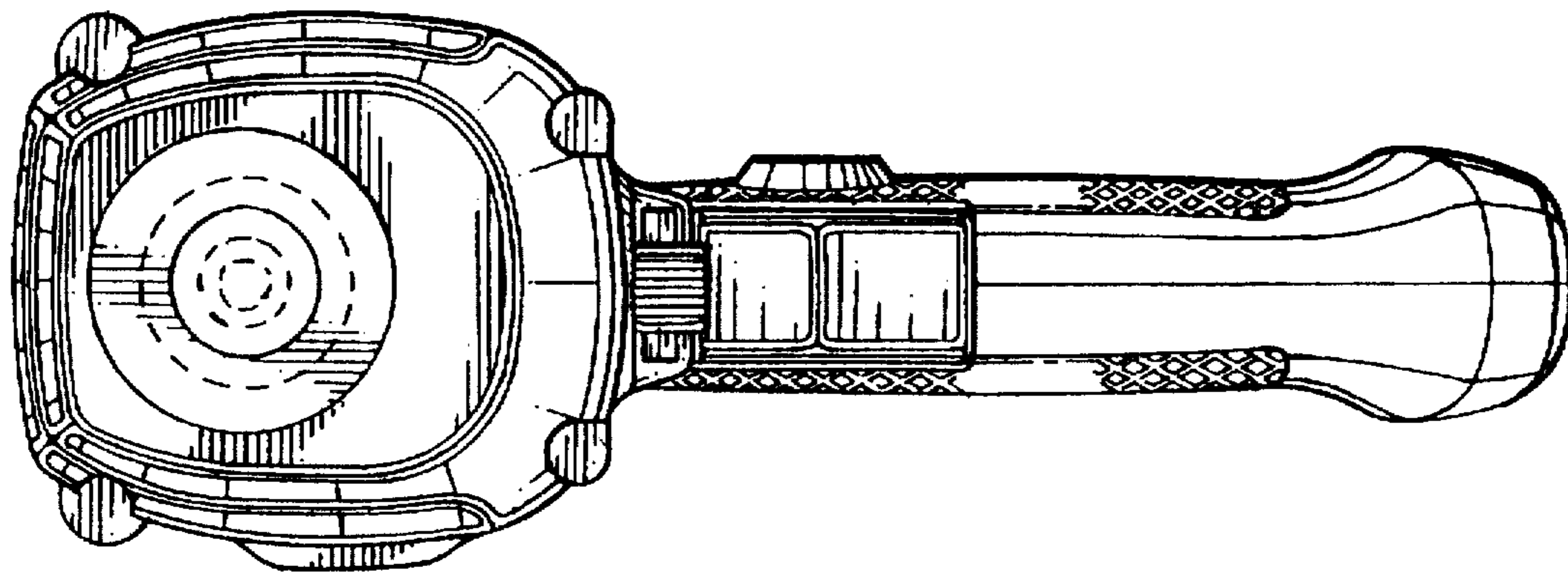


FIG. 4

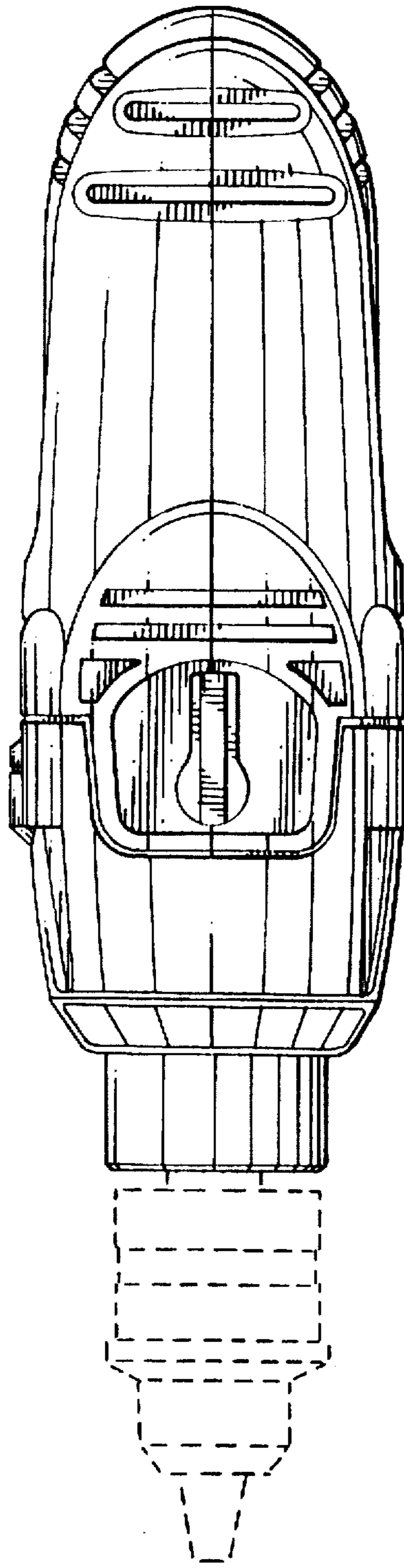


FIG. 6

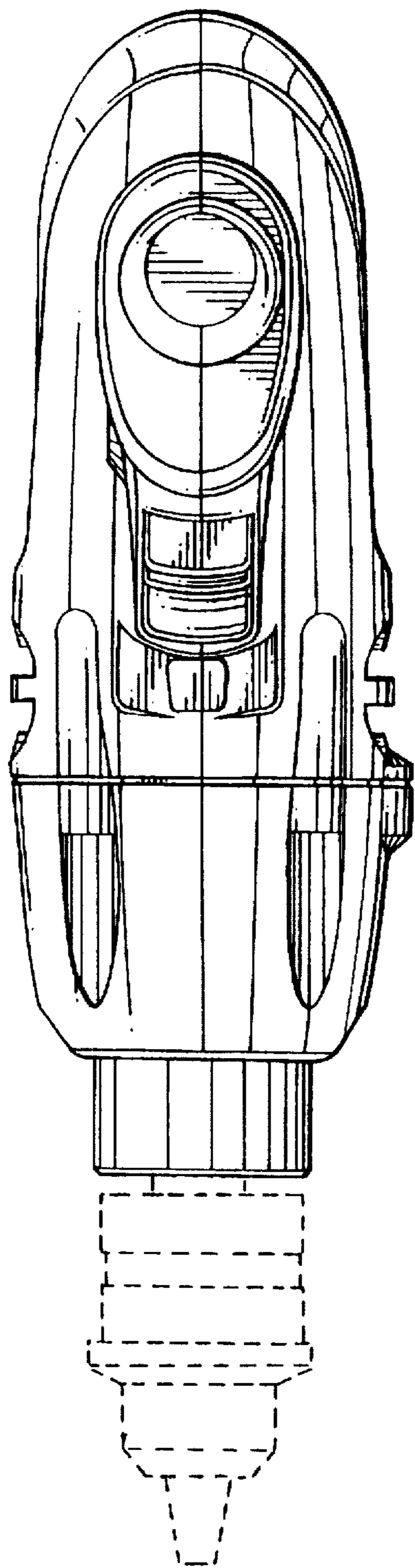


FIG. 7

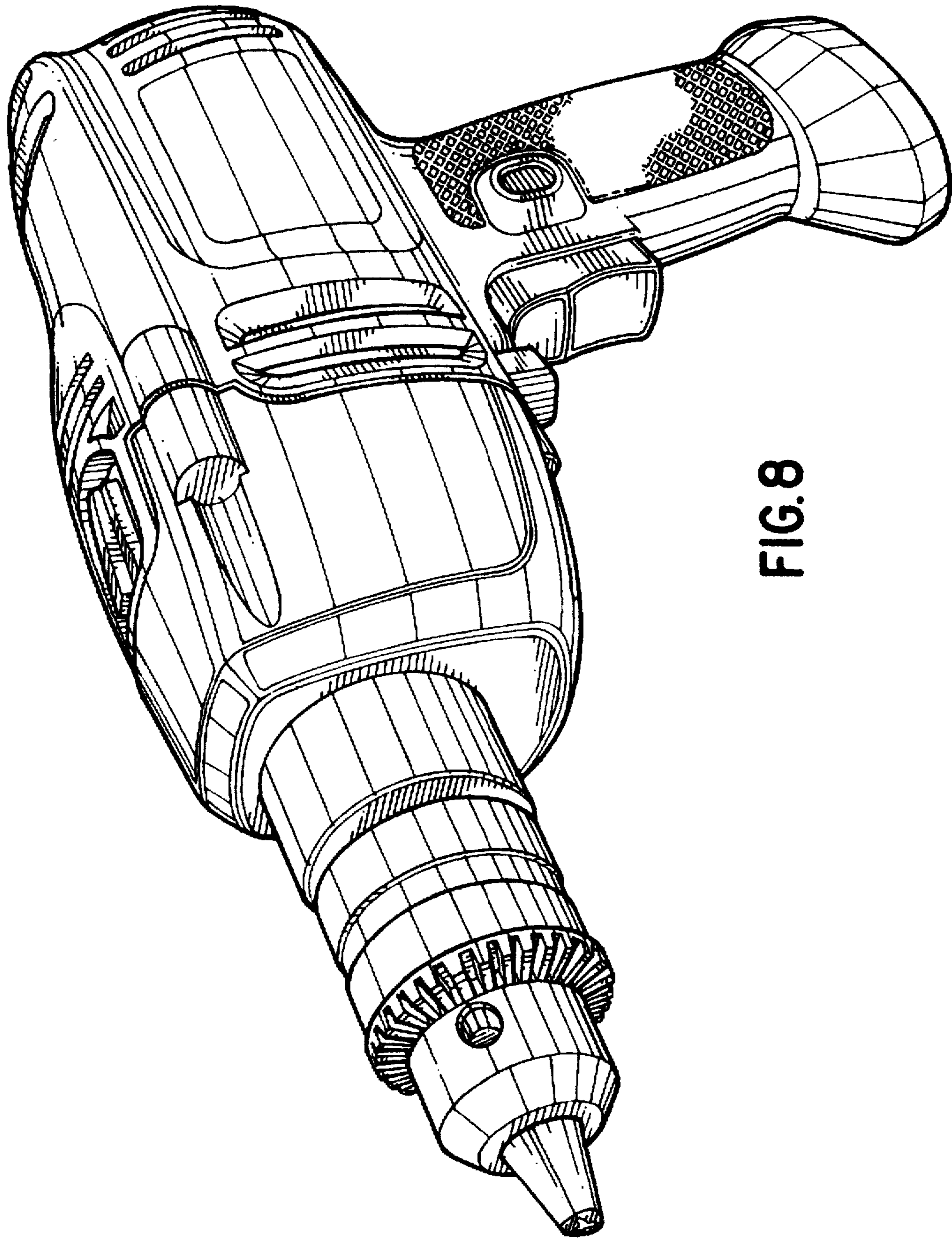


FIG. 8

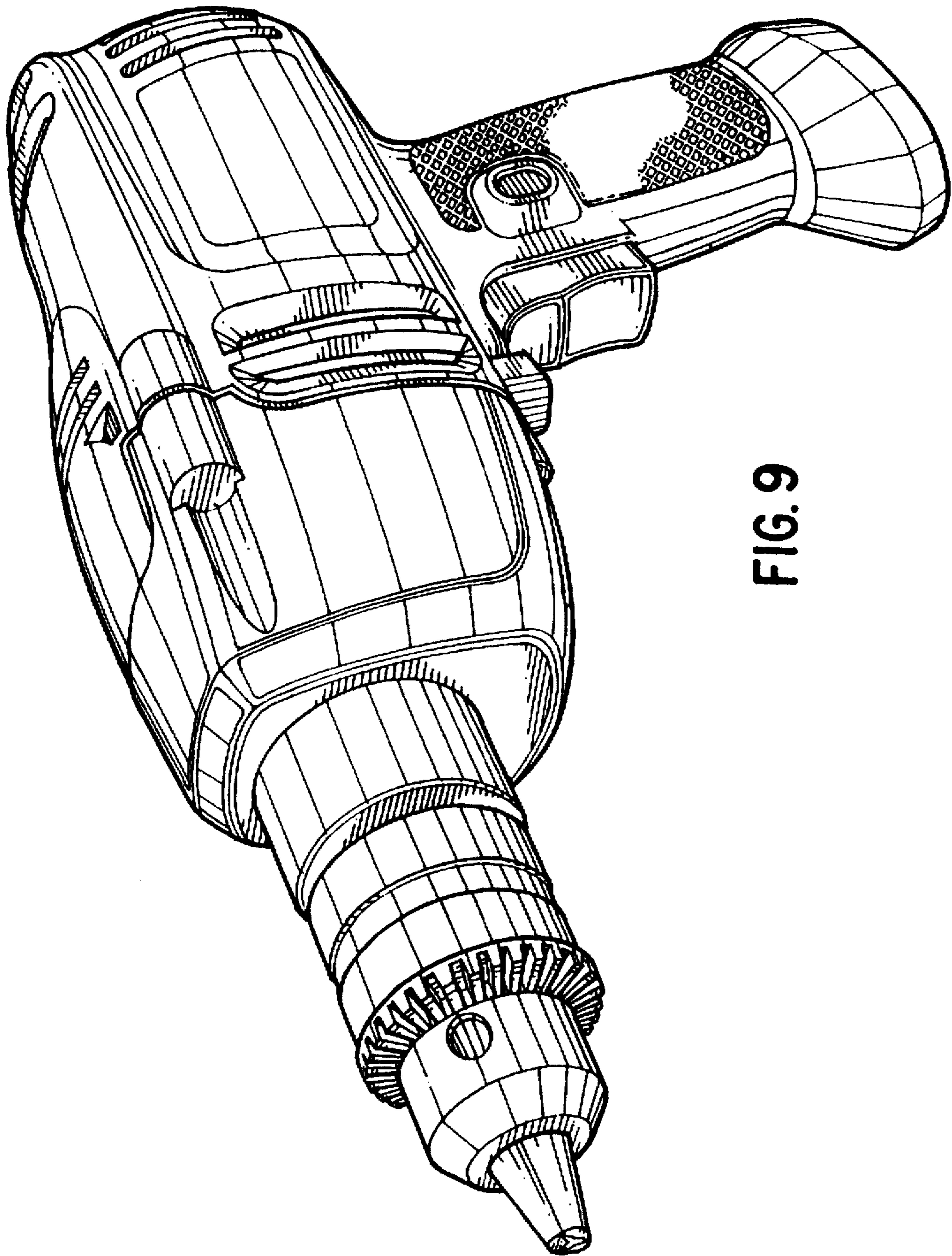


FIG. 9

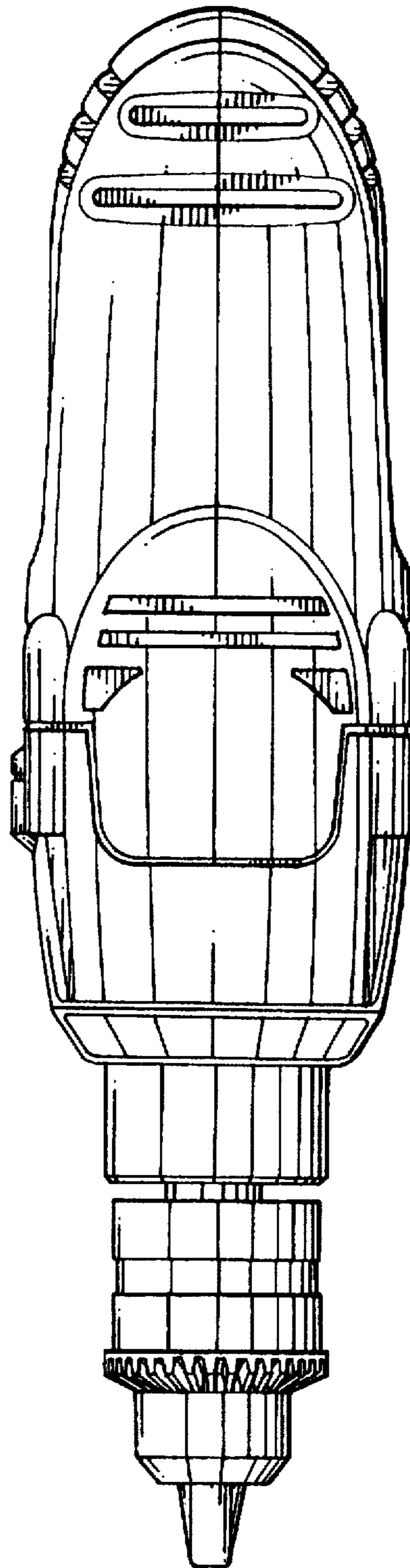


FIG. 10