



US00D394991S

United States Patent [19]

[11] Patent Number: **Des. 394,991**

Meisner et al.

[45] Date of Patent: ****Jun. 9, 1998**

[54] **AUXILIARY HANDLE FOR VEGETATION-CUTTING DEVICE**

1029306 9/1985 United Kingdom .

OTHER PUBLICATIONS

[75] Inventors: **Edward Meisner**, Short Hills; **Thomas Van Dyk**, Prospect Park; **Michael Ballone**, New Providence, all of N.J.; **Paul A. Harris, Jr.**, Stevensville; **Roger Q. Smith**, Reisterstown, both of Md.

German publication M 92 05 166.9 Oct. 3, 1993.
German publication M 94 07 032.6 Jan. 25, 1995.
Yard Pro brochure, p. 3, handle item A circled at bottom of page Apr. 1987.
Hardware Age, p. 140, trimmer handle, item A circled at top of page Oct. 1988.

[73] Assignee: **Black & Decker Inc.**, Newark, Del.

Primary Examiner—Holly Baynham
Attorney, Agent, or Firm—Charles E. Yocum; Dennis A. Dearing; John D. Del Ponti

[**] Term: **14 Years**

[21] Appl. No.: **61,599**

[57] CLAIM

[22] Filed: **May 6, 1996**

The ornamental design for an auxiliary handle for vegetation-cutting device, as shown in the drawings.

Related U.S. Application Data

DESCRIPTION

[63] Continuation of Ser. No. 40,285, Jun. 14, 1995, abandoned.

[51] **LOC (6) Cl.** **08-01**

[52] **U.S. Cl.** **D8/8**

[58] **Field of Search** D8/8; 30/276, 30/349; 56/12.7

The subject matter of the present application is related to U.S. patent application Ser. No. 29/040,283, filed Jun. 14, 1995, and entitled "Vegetation-Cutting Device", assigned to the assignee of the present application;

U.S. patent application Ser. No. 29/040,286, filed Jun. 14, 1995, and entitled "Handle for Vegetation-Cutting Device", assigned to the assignee of the present application; and

U.S. patent application Ser. No. 29/040,284, filed Jun. 14, 1995, and entitled "Guard for Vegetation-Cutting Device", assigned to the assignee of the present application.

FIG. 1 is a right side perspective view of a preferred embodiment of an auxiliary handle for a vegetation-cutting device in accordance with the present invention;

FIG. 2 is a reduced bottom view;

FIG. 3 is a top view;

FIG. 4 is a front view;

FIG. 5 is a rear view;

FIG. 6 is a left side view; and,

FIG. 7 is a right side view.

[56] References Cited

U.S. PATENT DOCUMENTS

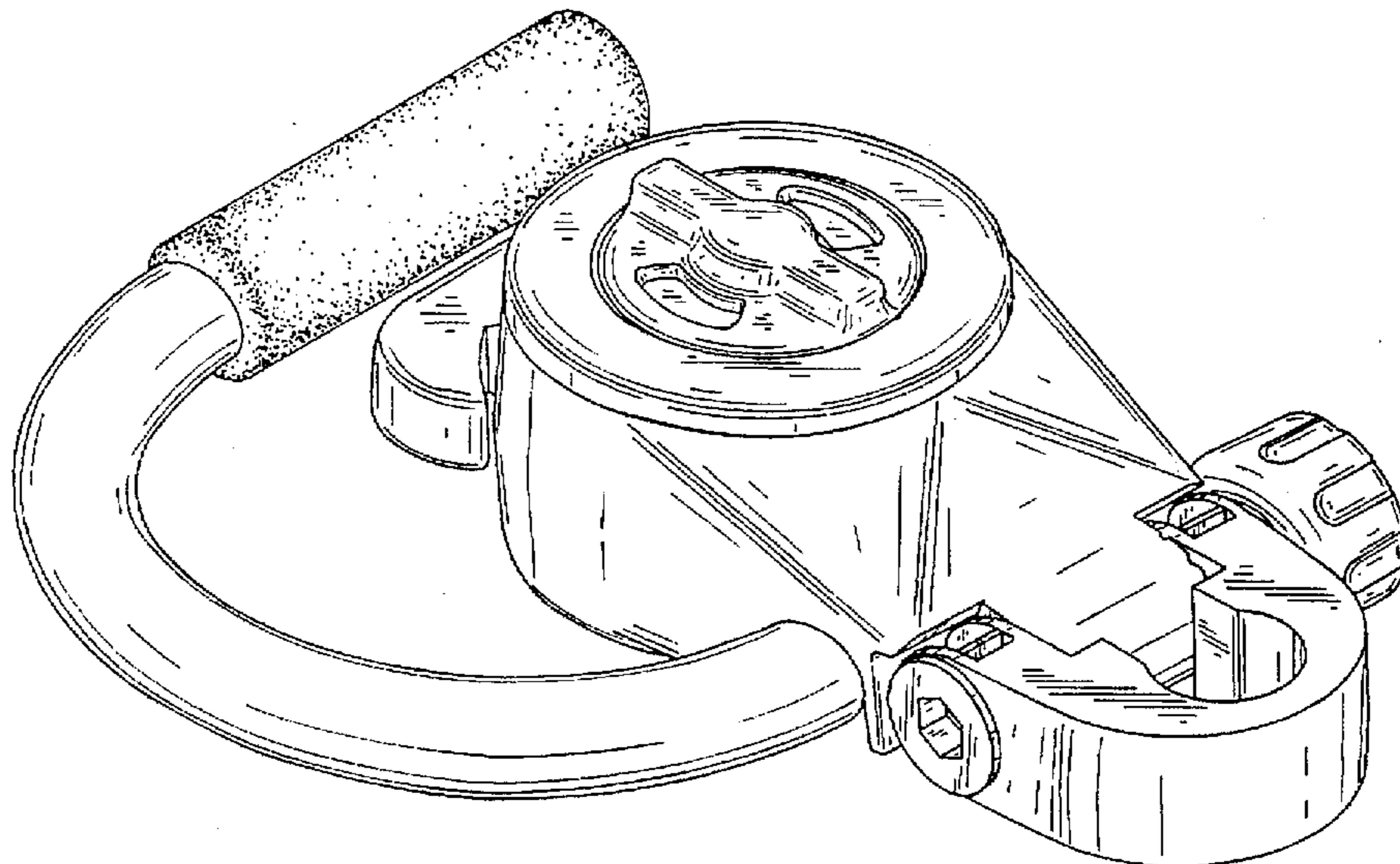
- D. 249,630 9/1978 Ballas .
- D. 250,745 1/1979 Kuwano D8/8
- D. 251,699 5/1979 Averitt .
- D. 251,961 5/1979 Averitt .
- D. 253,086 10/1979 Hinklin et al. D8/8
- D. 255,764 7/1980 Lombard .
- D. 292,980 12/1987 Tomita et al. .
- D. 301,009 5/1989 Pilatowicz et al. .
- D. 307,860 5/1990 Ellis .
- D. 317,852 7/1991 Fujiwara et al. .

(List continued on next page.)

FOREIGN PATENT DOCUMENTS

0515909 5/1992 European Pat. Off. .

1 Claim, 5 Drawing Sheets



U.S. PATENT DOCUMENTS					
			4,338,719	7/1982	Burkholder .
			4,501,332	2/1985	Straayer .
			4,578,863	4/1986	Laverick .
			4,679,385	7/1987	Carmine .
			4,733,471	3/1988	Rahe .
			4,823,464	4/1989	Gorski .
			4,825,548	5/1989	Driggers .
			4,987,732	1/1991	Terai et al. D8/8 X
			5,027,591	7/1991	Nakamura et al. .
			5,181,369	1/1993	Everts .
			5,265,341	11/1993	Kikuchi .
D. 320,398	10/1991	Clivio .			
D. 335,674	5/1993	Hoshino .			
D. 336,223	6/1993	Miyamoto et al. .			
D. 349,220	8/1994	Griffin .			
D. 349,221	8/1994	Griffin .			
D. 351,768	10/1994	Griffin .			
D. 354,892	1/1995	Griffin .			
D. 356,014	3/1995	Griffin .			
4,200,978	5/1980	Irelan et al. .			
4,285,128	8/1981	Schnell et al. .			

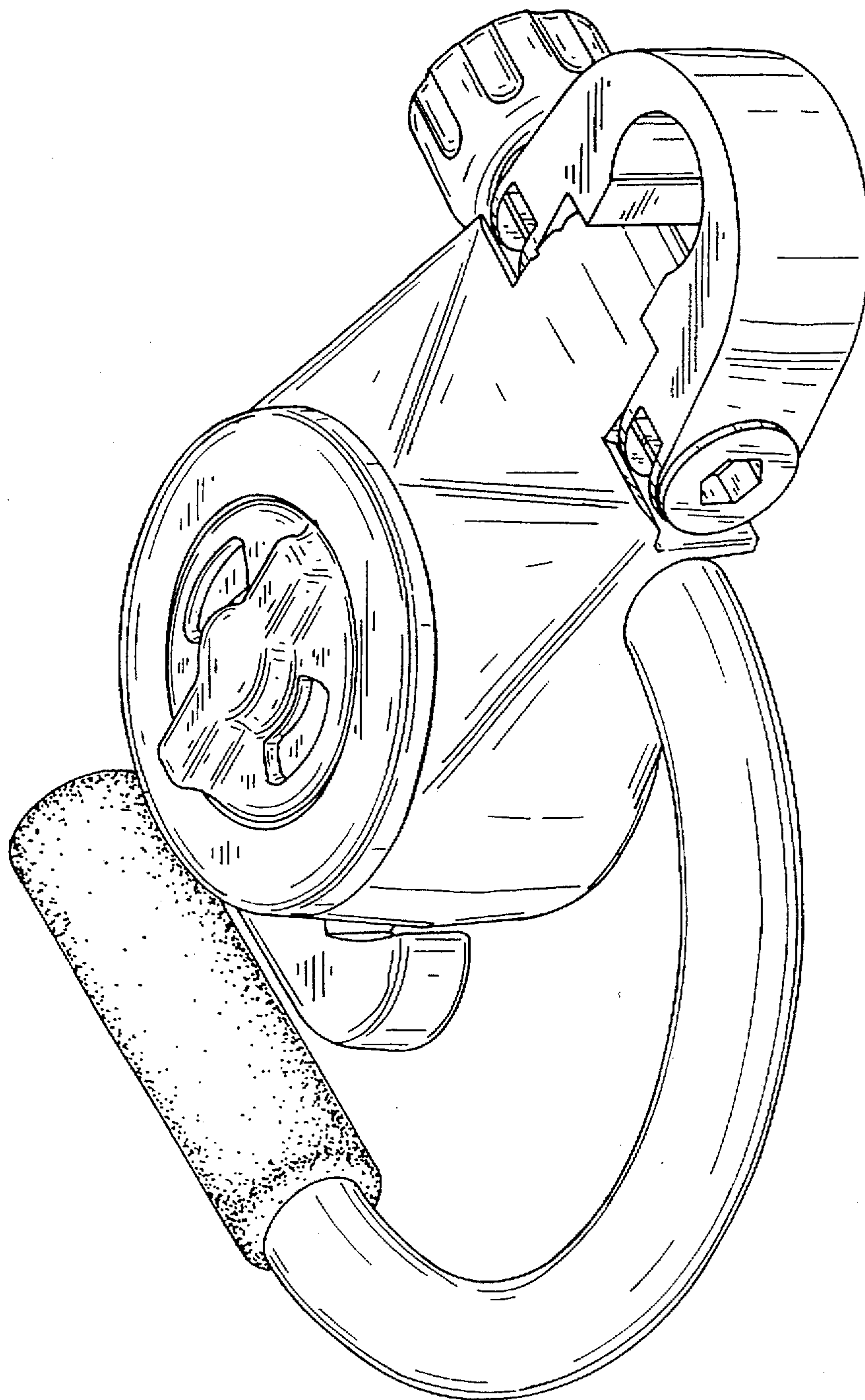


FIG. 1

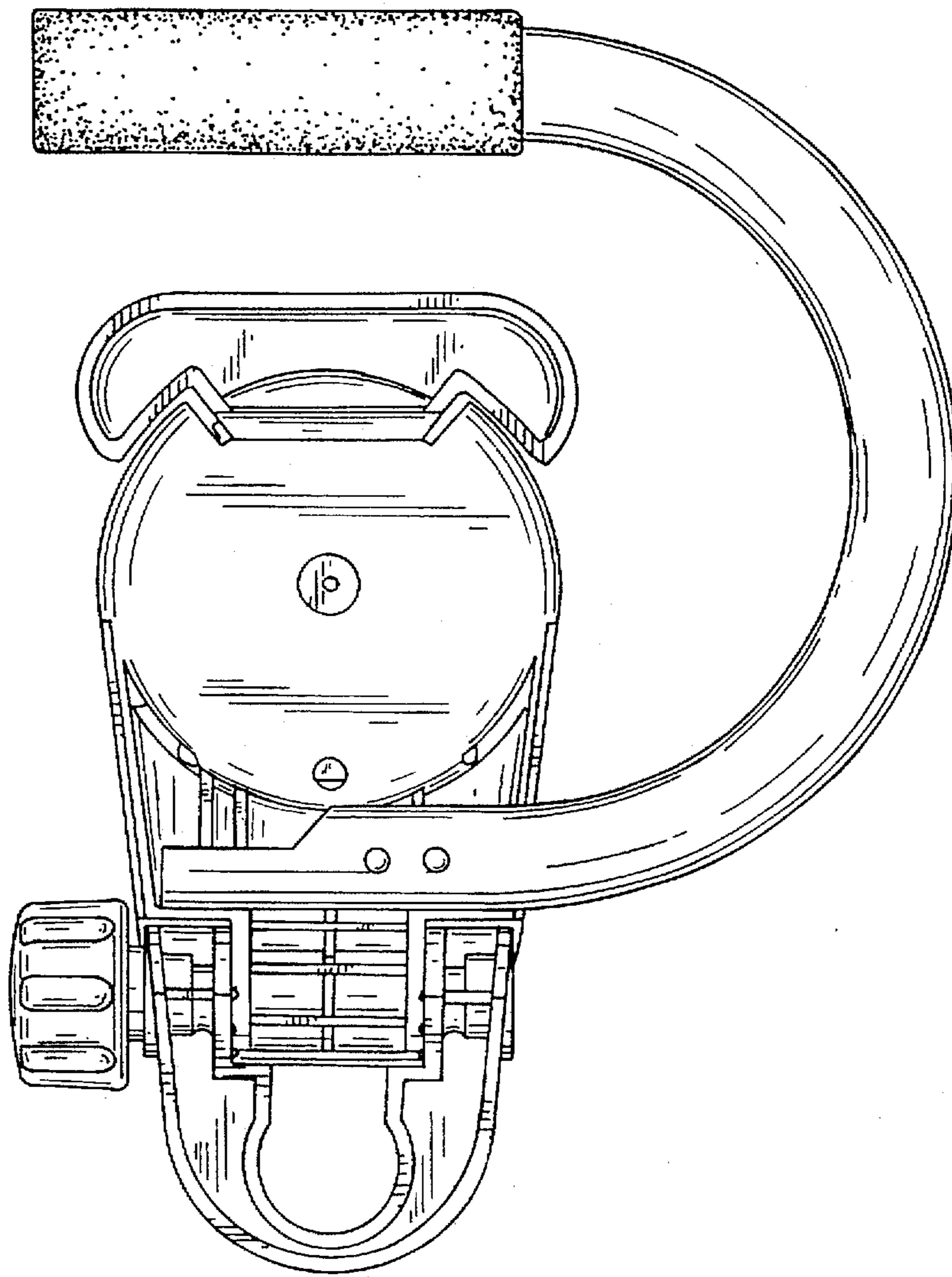


FIG. 2

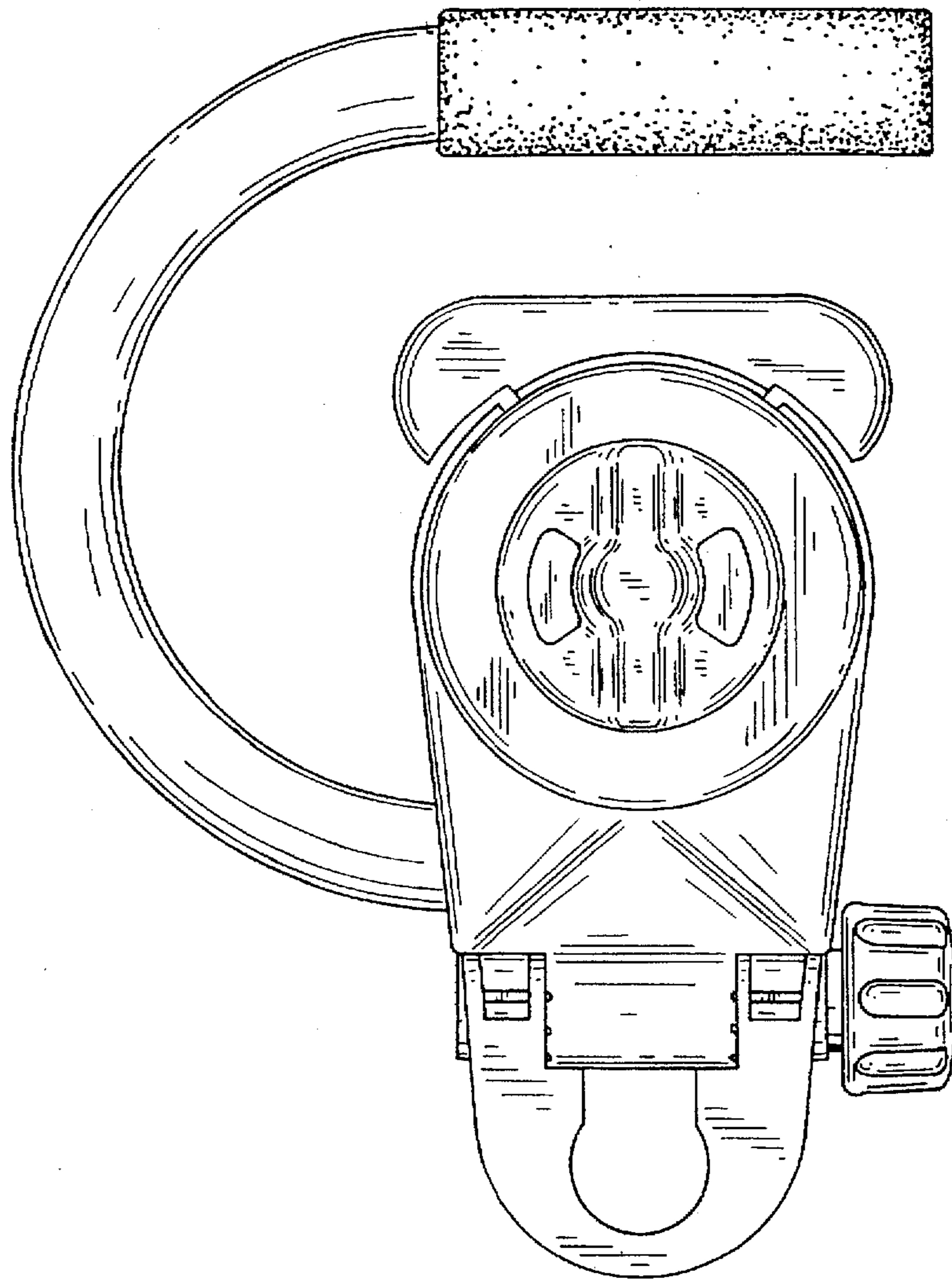


FIG. 3

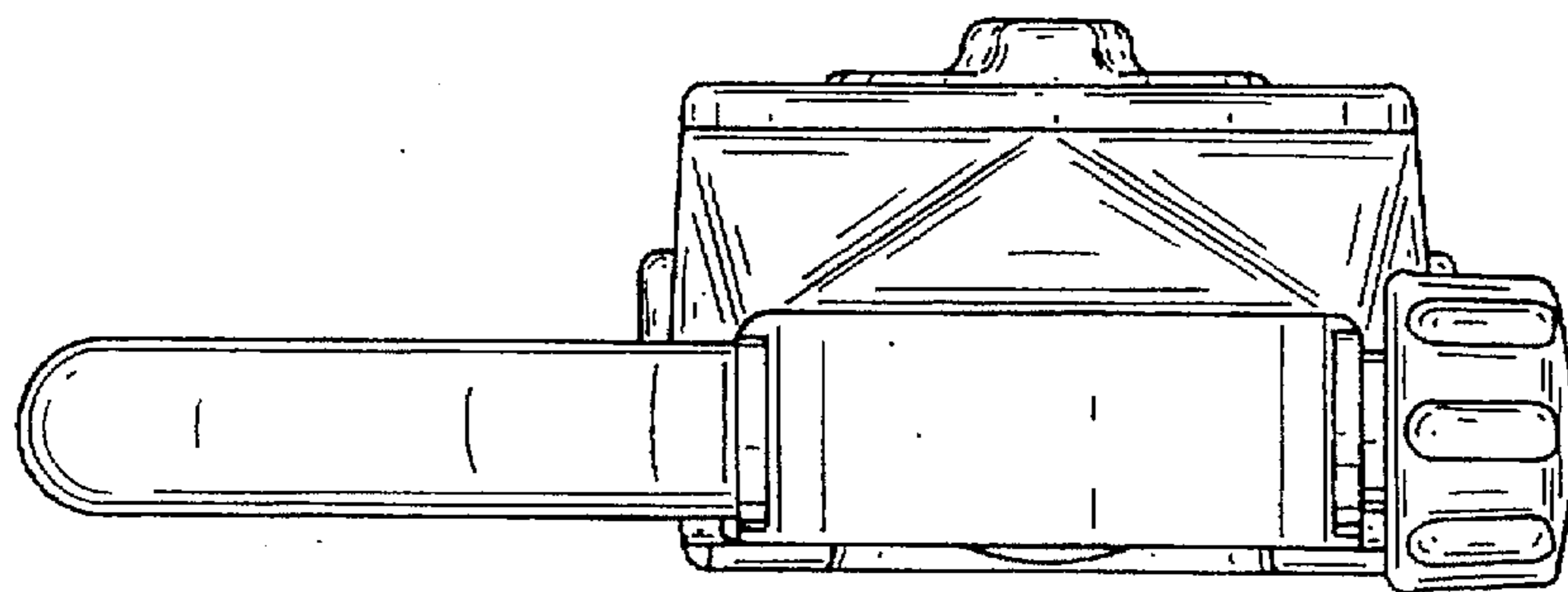


FIG. 4

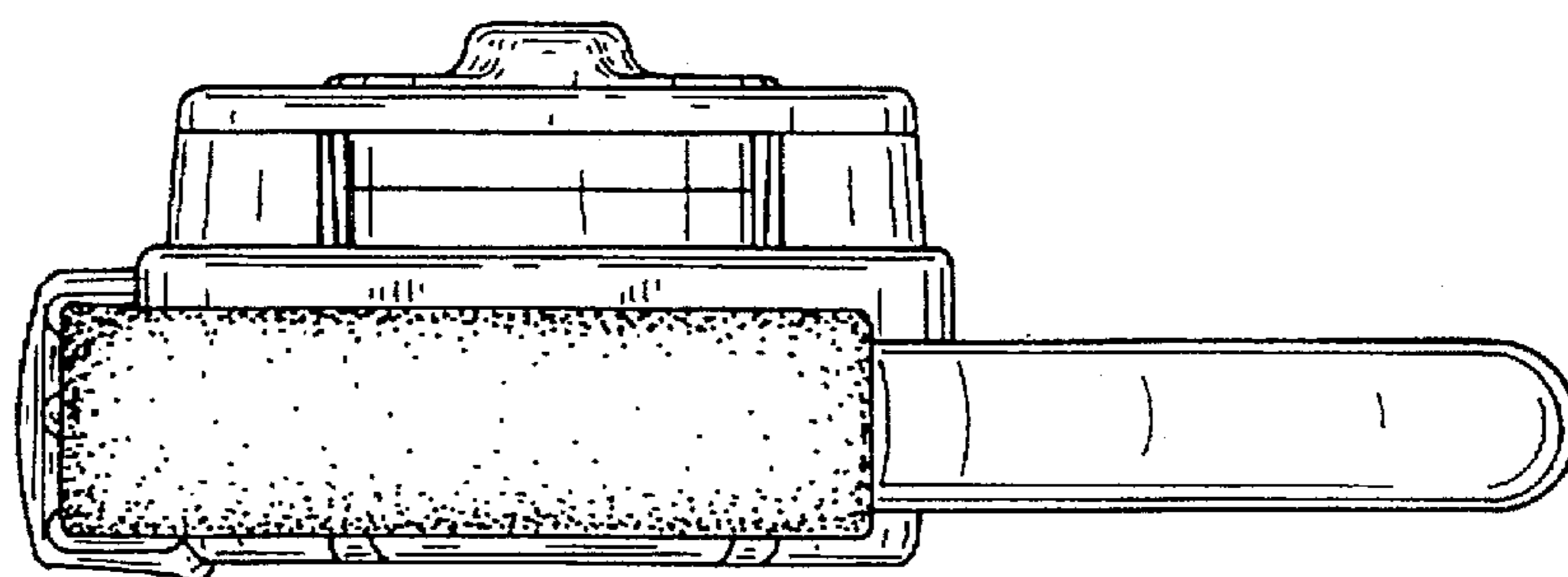


FIG. 5

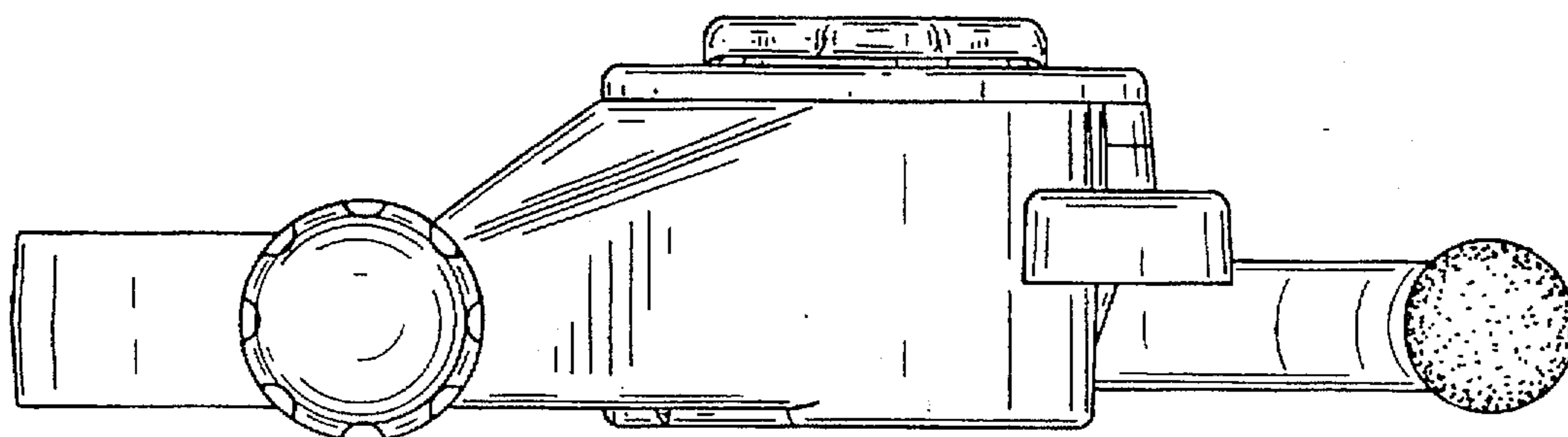


FIG. 6

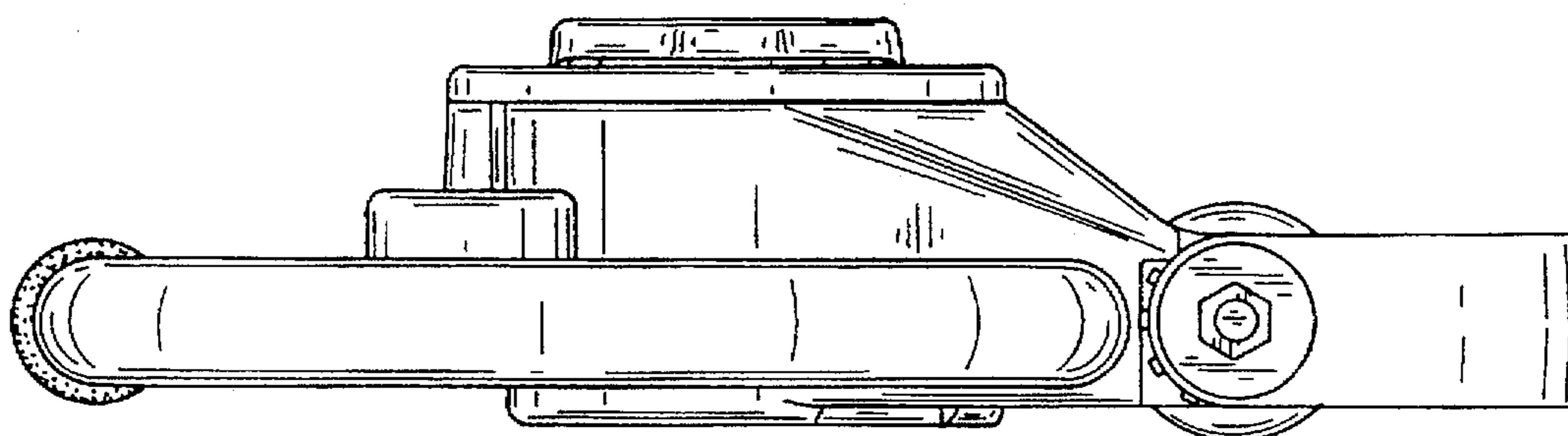


FIG. 7