



US00D394988S

United States Patent [19]

Emerson

[11] Patent Number: **Des. 394,988**

[45] Date of Patent: ****Jun. 9, 1998**

[54] **CUTTING BOARD**

4,655,351 4/1987 Walker D6/574

[76] Inventor: **Francis Emerson**, 1117 Bellvidere St.,
Lima, Ohio 45801

Primary Examiner—Nelson C. Holtje
Assistant Examiner—Caron D. Veynar
Attorney, Agent, or Firm—Harold H. Dutton, Jr.; W. Charles
L. Jamison; Diane S. Liebman

[**] Term: **14 Years**

[21] Appl. No.: **46,838**

[57] **CLAIM**

[22] Filed: **Nov. 16, 1995**

The ornamental design for a cutting board, as shown and described.

[51] LOC (6) Cl. **07-04**

[52] U.S. Cl. **D7/698**

[58] Field of Search D7/698, 550, 552,
D7/337, 388; 269/289 R. 291, 302.1, 303,
315, 900; 211/41

DESCRIPTION

FIG. 1 is a perspective view of a cutting board showing my new design;
FIG. 2 is a right side view, the left side view being a mirror image thereof;
FIG. 3 is a front view, the rear view being a mirror image thereof; and,
FIG. 4 is a bottom view thereof.

[56] References Cited

U.S. PATENT DOCUMENTS

- D. 286,496 11/1986 Daenen et al. D7/388
- D. 351,083 10/1994 O'Brien et al. D7/337 X
- D. 363,196 10/1995 Kristiansen D7/698

1 Claim, 2 Drawing Sheets

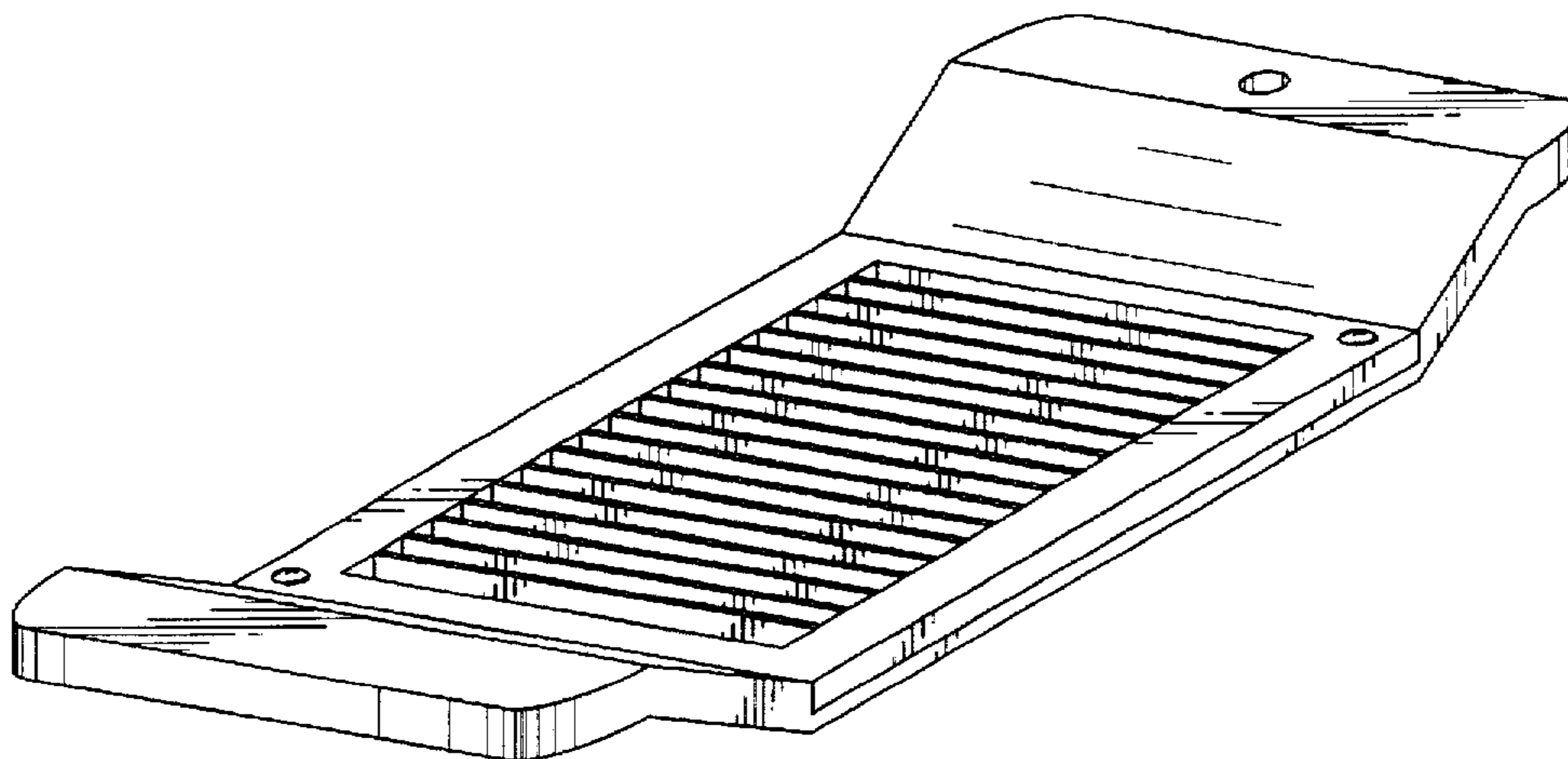


FIG. 1

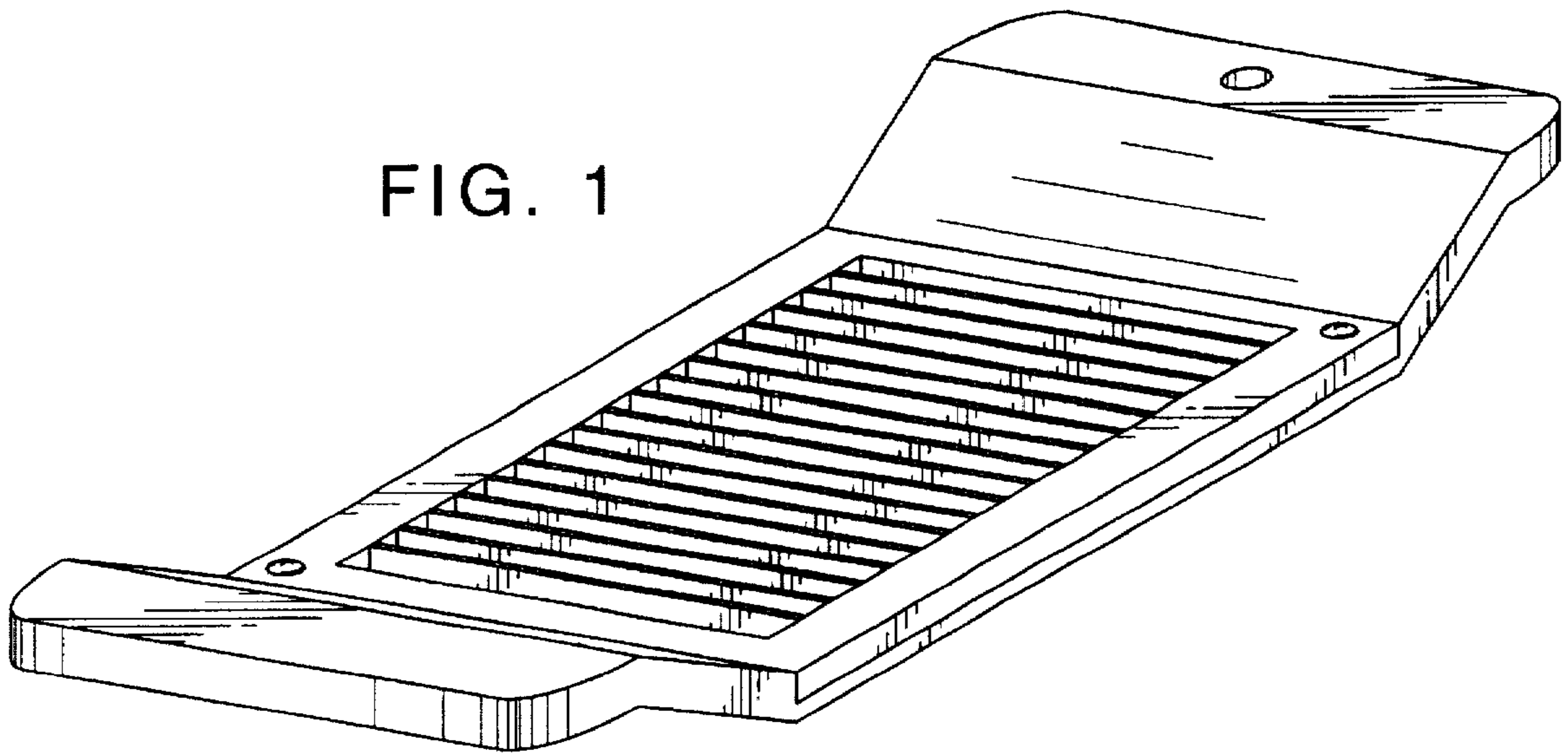


FIG. 2

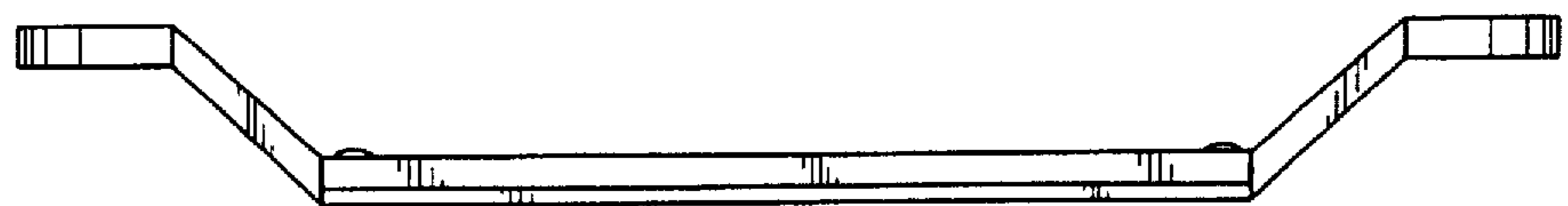


FIG. 3

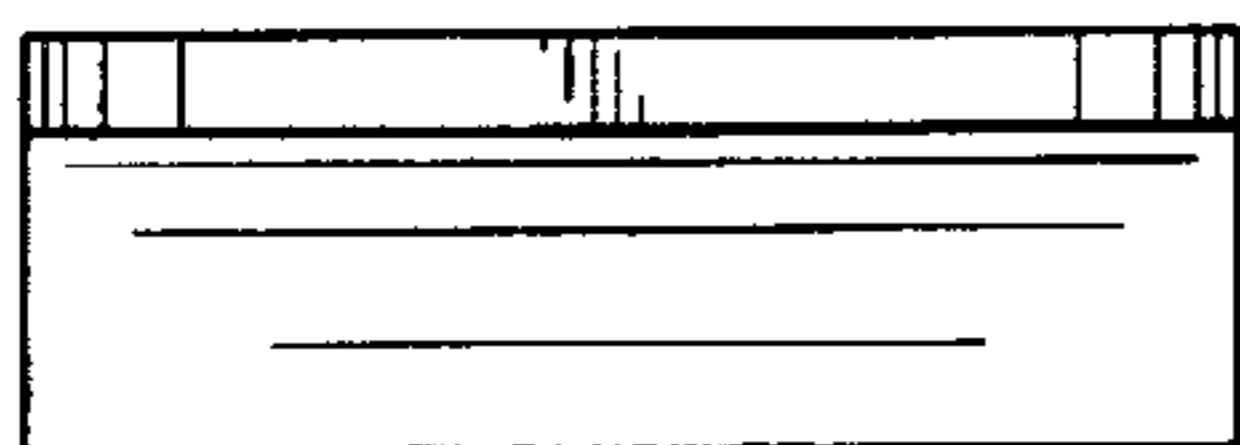


FIG. 4

