



US00D394986S

United States Patent [19]
Lallemand

[11] **Patent Number: Des. 394,986**
[45] **Date of Patent: **Jun. 9, 1998**

[54] **BLENDER**

D. 373,504 9/1996 Leverrier D7/378
3,537,691 11/1970 Tsuruta et al. D7/378 X

[75] Inventor: **Thomas Lallemand**, Paris, France

Primary Examiner—Caron D. Veynar
Attorney, Agent, or Firm—Loeb & Loeb LLP

[73] Assignee: **SEB**, Selongey, France

[**] Term: **14 Years**

[57] **CLAIM**

[21] Appl. No.: **74,220**

The ornamental design for a blender, as shown.

[22] Filed: **Jul. 30, 1997**

DESCRIPTION

[30] **Foreign Application Priority Data**

Feb. 13, 1997 [FR] France 97 0912

FIG. 1 is a right side elevational view of a blender showing my new design;

[51] **LOC (6) Cl.** **31-00**

FIG. 2 is a left side elevational view thereof;

[52] **U.S. Cl.** **D7/378**

FIG. 3 is a top plan view thereof;

[58] **Field of Search** D7/376, 378, 386,
D7/413; 366/129, 197, 205

FIG. 4 is a bottom plan view thereof;

FIG. 5 is a rear elevational view thereof;

FIG. 6 is a front elevational view thereof; and

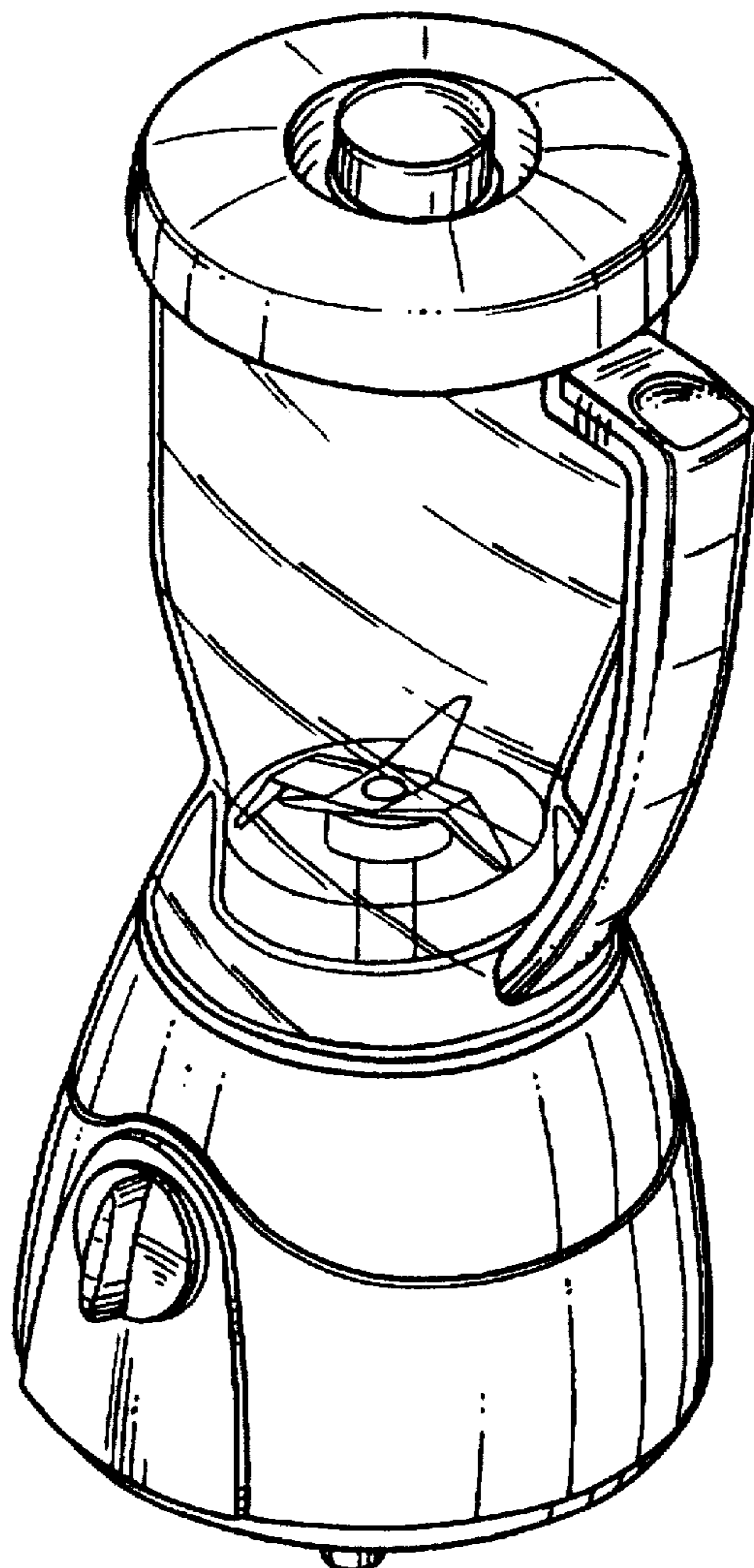
FIG. 7 is a perspective view thereof.

[56] **References Cited**

U.S. PATENT DOCUMENTS

D. 123,477 11/1940 Feltman et al. D7/378

1 Claim, 4 Drawing Sheets



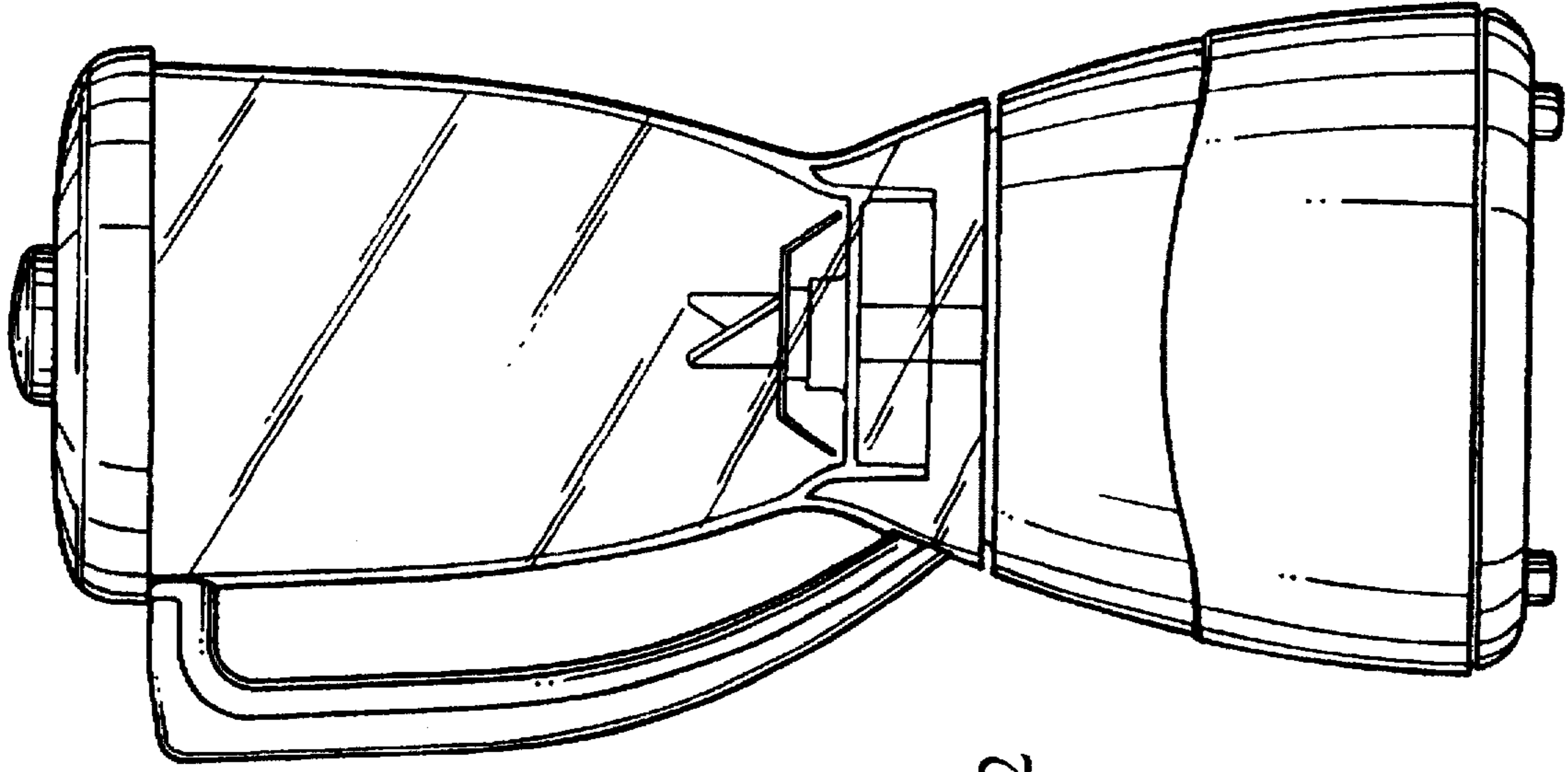


FIG. 2

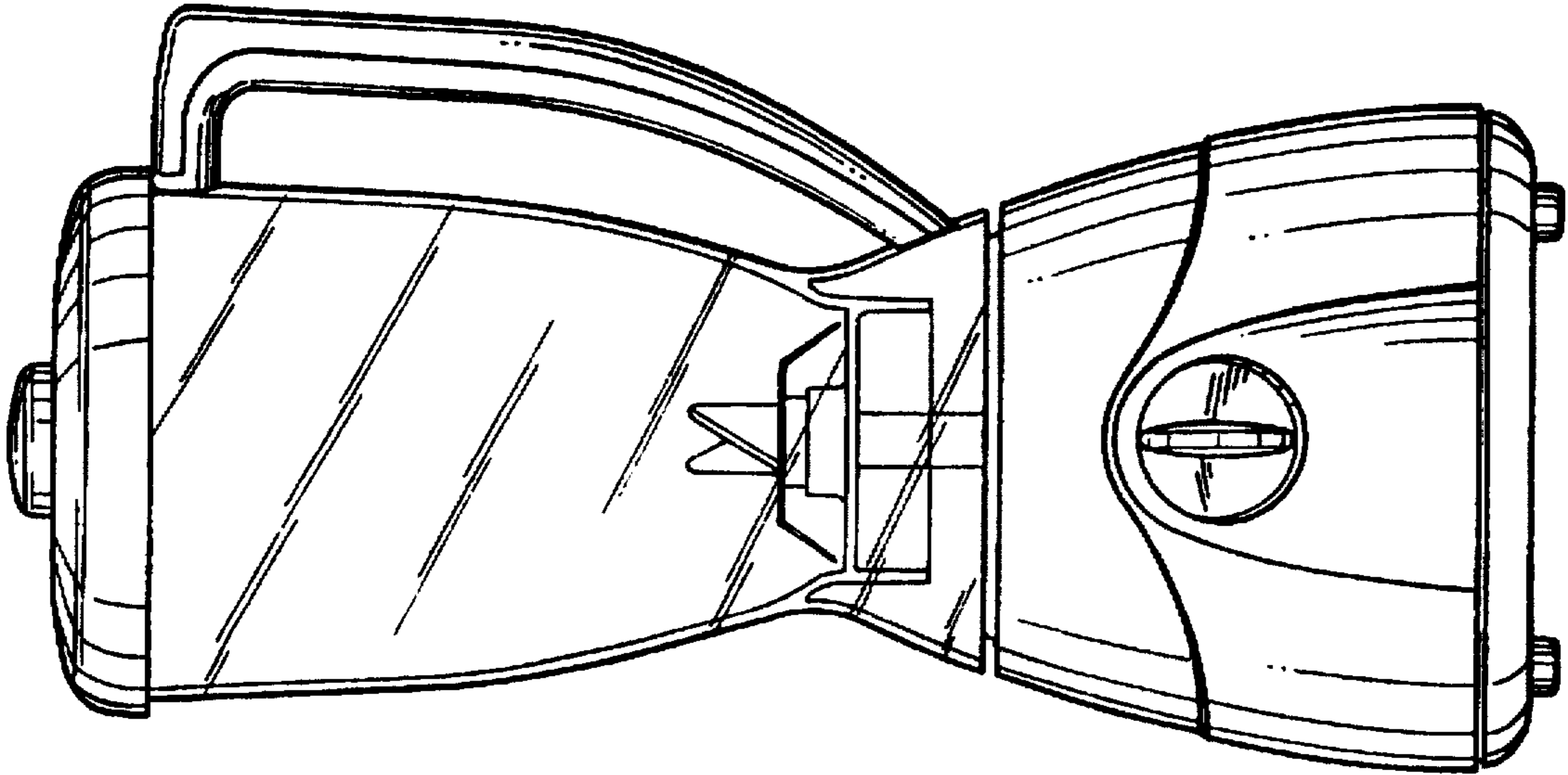


FIG. 1

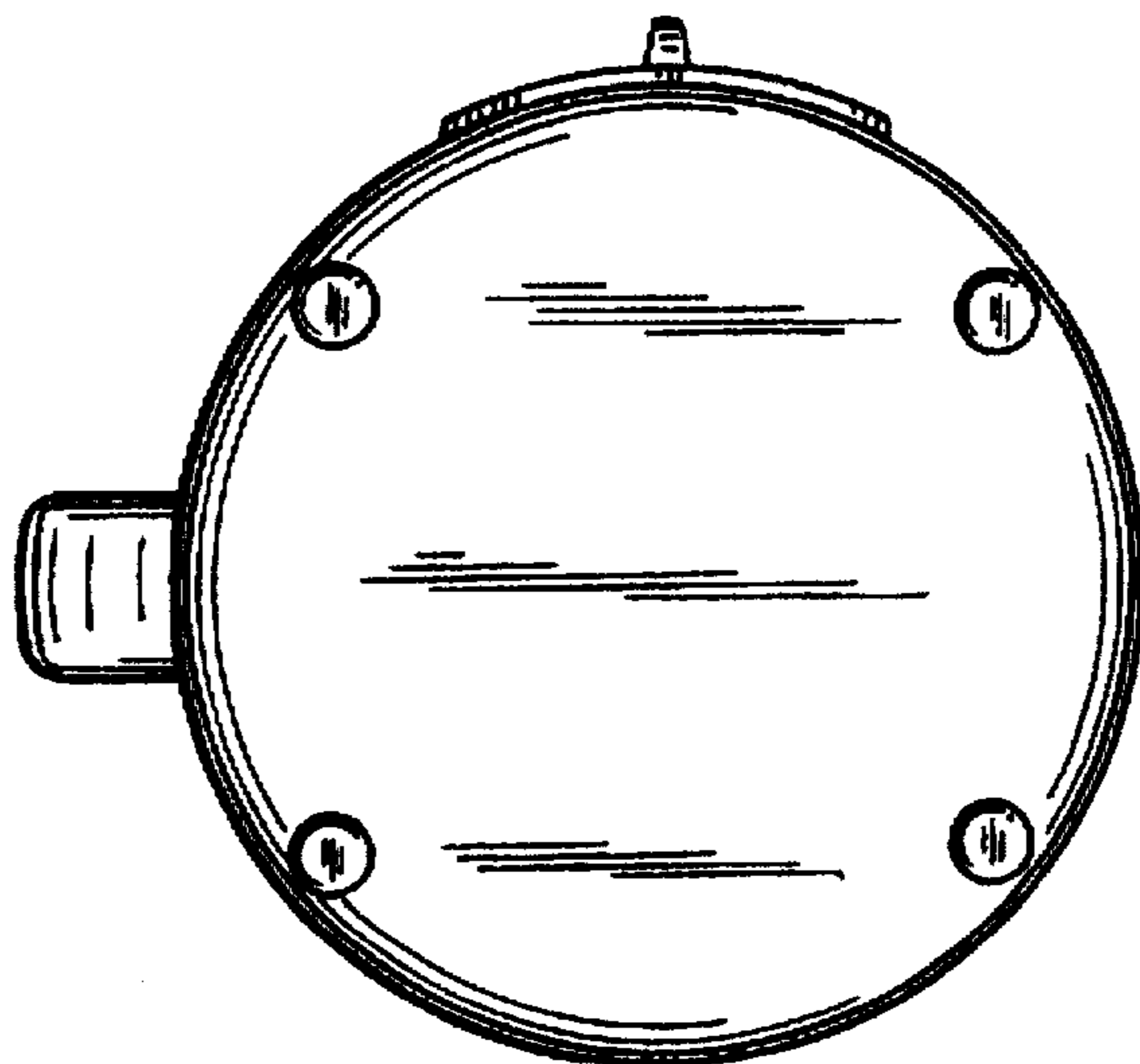


FIG. 4

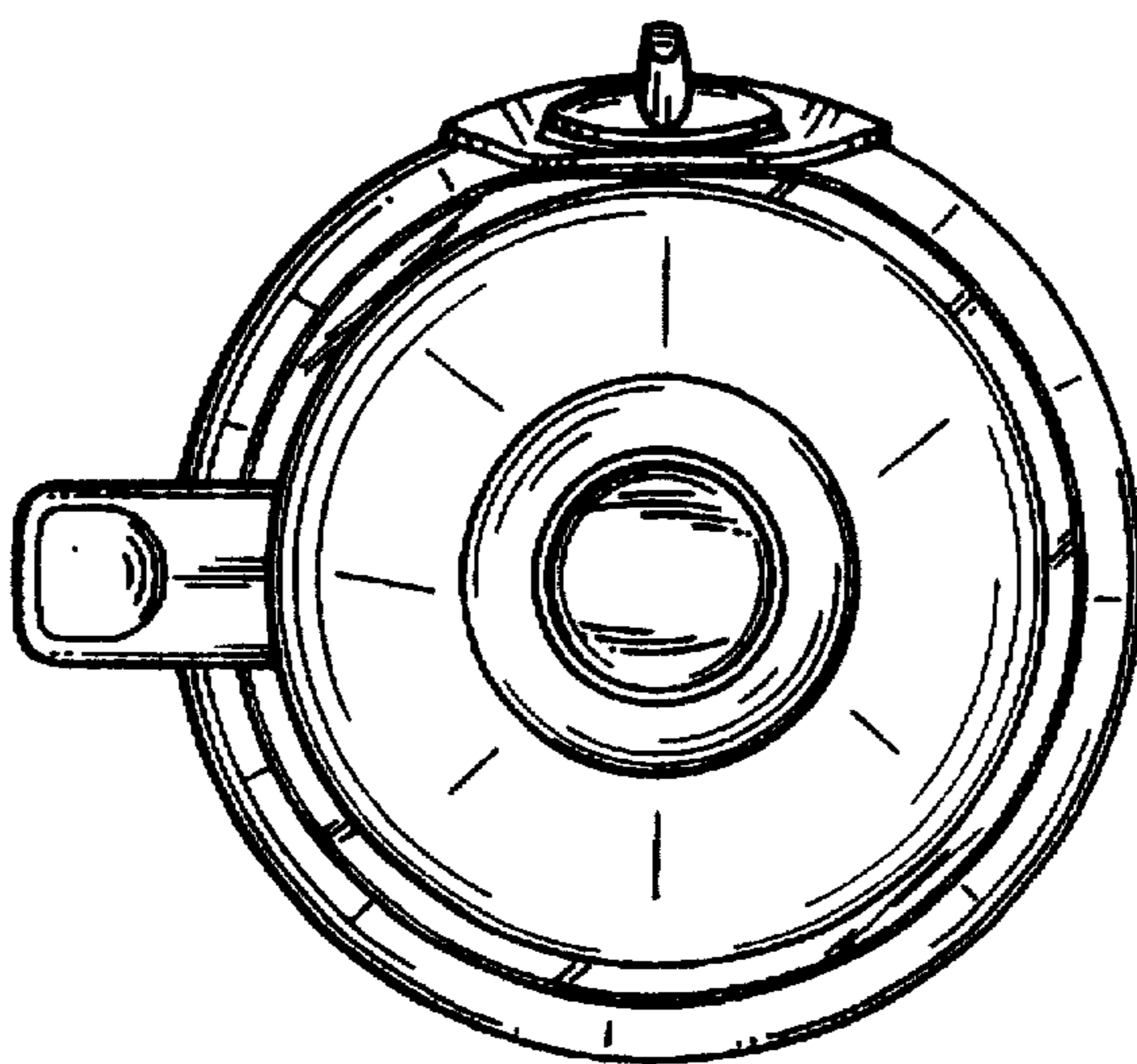


FIG. 3

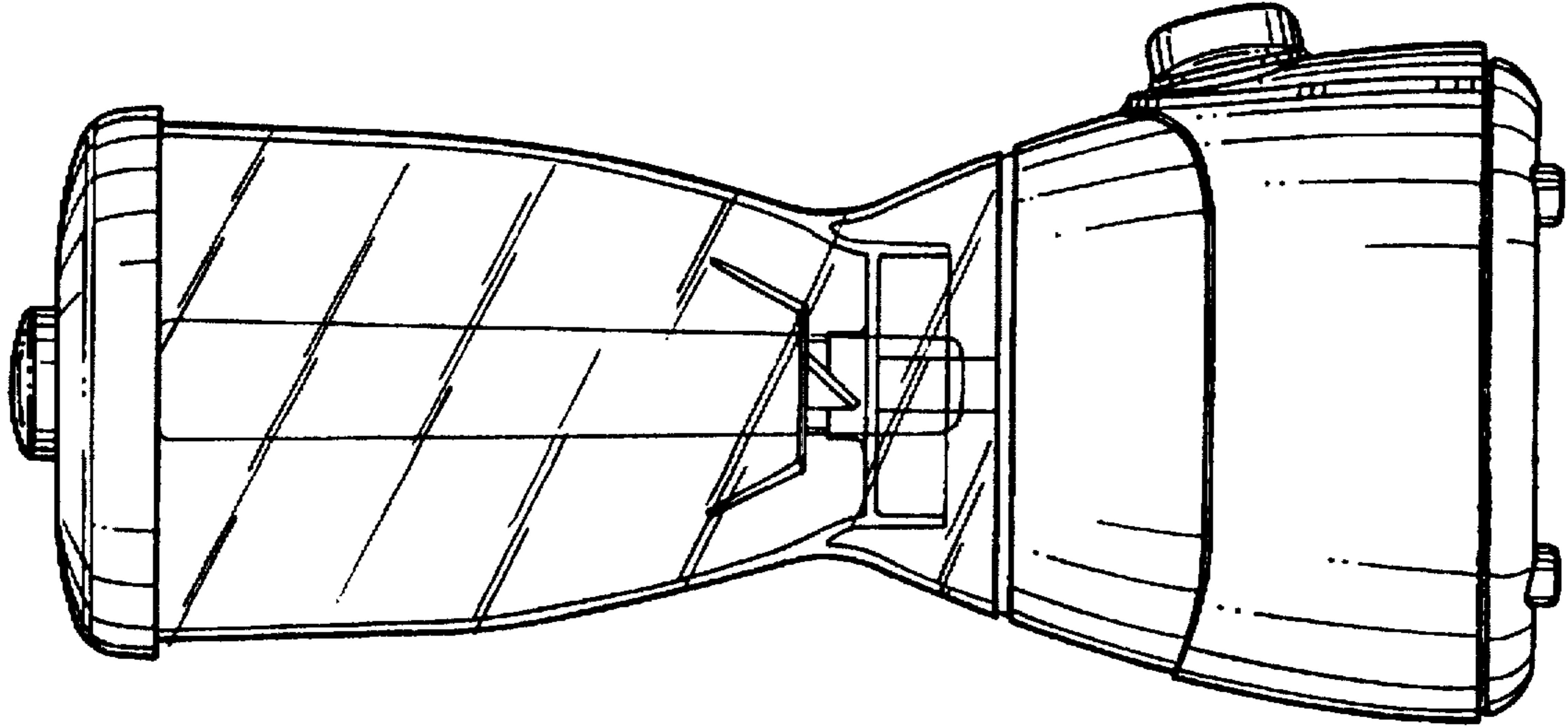


FIG. 6

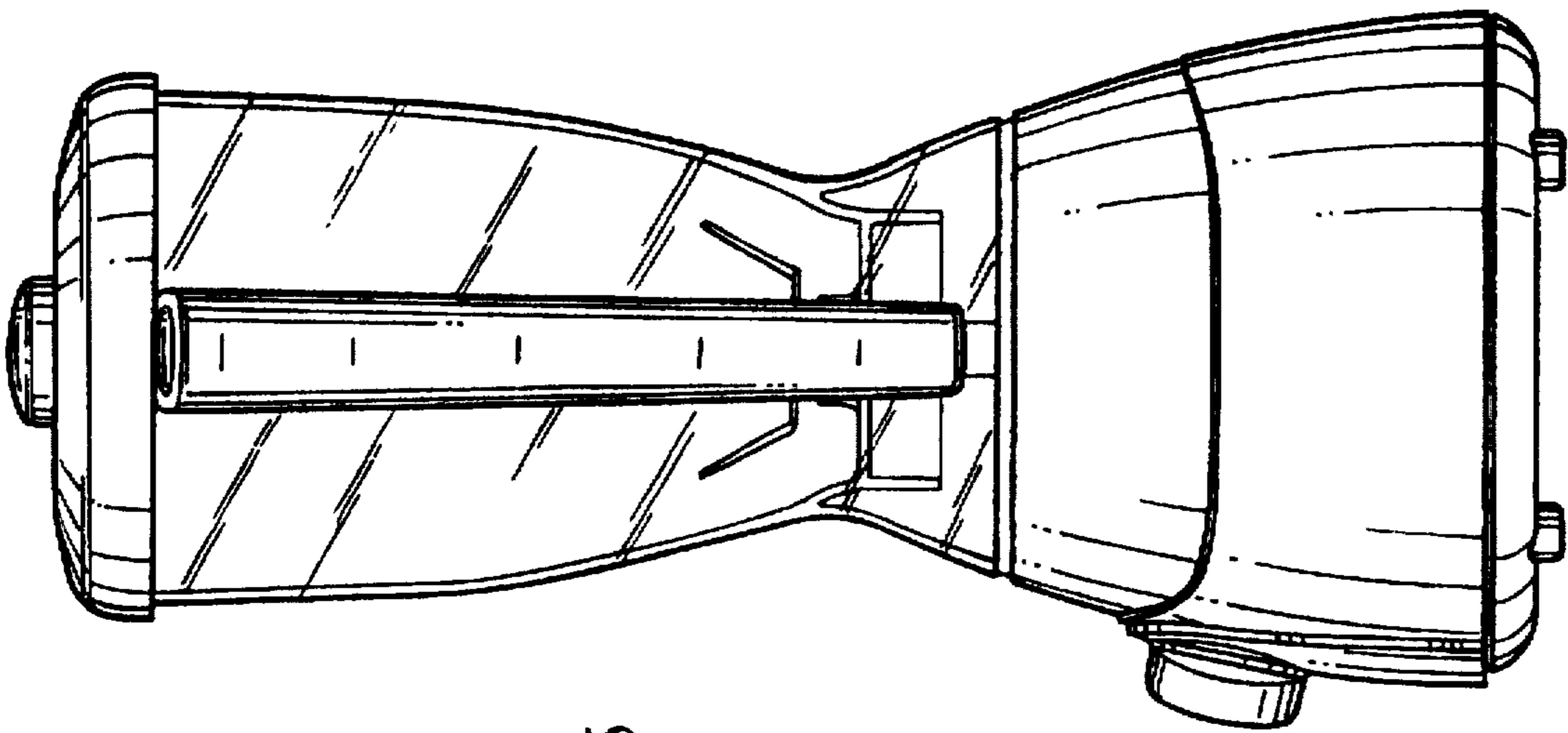


FIG. 5

FIG. 7

