



US00D394985S

United States Patent [19]

Curtis et al.

[11] Patent Number: Des. 394,985

[45] Date of Patent: **Jun. 9, 1998

[54] **FOOD CONTAINER WITH HINGED LID**

[76] Inventors: **Daniel S. Curtis**, 1301 Windemere Ave., Naperville, Ill. 60564; **Timothy S. Goins**, 1715 Chicago Ave., Apt. 804, Evanston, Ill. 60201; **Scott J. Felder**, 3509 Bretons Dr., McHenry, Ill. 60050; **Thomas J. Hayes**, 1007 E. Liberty, Wauconda, Ill. 60084; **Stephen A. Smith**, 868 Appomattox Cir., Naperville, Ill. 60540

[**] Term: **14 Years**

[21] Appl. No.: **46,491**

[22] Filed: **Nov. 16, 1995**

[51] LOC (6) CL **07-01**

[52] U.S. Cl. **D7/538; D7/629; D7/553**

[58] Field of Search D7/629, 538, 500, D7/505, 507, 701, 540, 541, 542, 543, 545, 546, 547, 549, 550, 552, 553, 554, 555, 557, 566, 584, 601, 602, 603, 610, 565, 562; D9/429, 425; 426/106, 118; 220/630, 675, 23.8, 556

[56] **References Cited**

U.S. PATENT DOCUMENTS

- D. 56,334 10/1920 Beiswanger D7/565
- D. 218,804 9/1970 Doubleday D7/562
- D. 250,443 12/1978 Romanoff D9/424 X
- D. 315,100 3/1991 Sheehan D9/424 X
- D. 327,220 6/1992 Proffitt et al. D9/425 X
- D. 339,744 9/1993 Seppala D9/425
- D. 344,660 3/1994 Krupa D7/629
- D. 363,879 11/1995 Krupa et al. D9/425 X
- D. 364,090 11/1995 Krupa .

- 3,253,762 5/1966 Gaunt D9/425 X
- 4,881,654 11/1989 Stazo et al. 220/630 X
- 4,883,195 11/1989 Ott et al. 426/118 X
- 4,962,854 10/1990 Ricci 220/675 X
- 5,242,696 9/1993 McDevitt 426/106 R
- 5,423,453 6/1995 Fritz 220/675 X
- 5,429,833 7/1995 Wyslowsky 426/106 X

OTHER PUBLICATIONS

IVEX Product Sheet, "Shrimp Server", IVEX Packaging Corporation, Lincolnshire, Illinois, one page undated.
IVEX Product Sheet, "Reflections™", IVEX Packaging Corporation, Lincolnshire, Illinois, one page, 1994.
Tray-Pak Brochure, "Tray-Pak Custom Thermoformed Packaging", Tray-Pak Corporation, Reading, Pennsylvania, front page undated.
Ultra Pac Catalogk, "Catalog—Effective Mar., 1995 Ultrafresh™", Ultra Pac, Inc., Rogers, Minnesota, pp. 1-32, Mar. 1995.

Primary Examiner—M. N. Pandozzi

[57] **CLAIM**

The ornamental design for a food container with hinged lid, as shown and described.

DESCRIPTION

FIG. 1 is a perspective view of a food container with hinged lid showing our new design;
FIG. 2 is a front elevational view thereof;
FIG. 3 is a top plan view thereof;
FIG. 4 is a right side elevational view thereof;
FIG. 5 is a back elevational view thereof;
FIG. 6 is a bottom view thereof; and,
FIG. 7 is left side elevational view thereof.

1 Claim, 4 Drawing Sheets

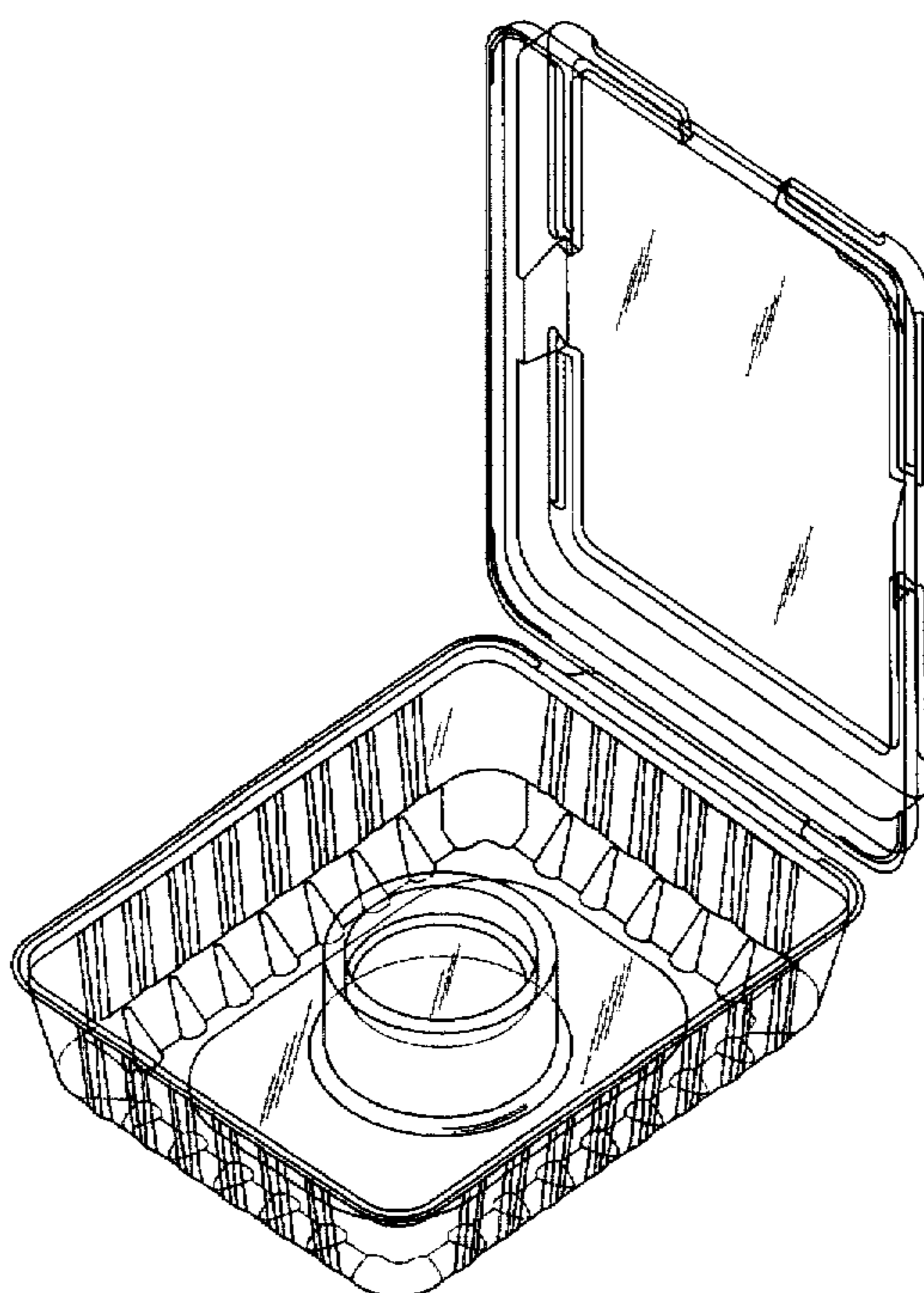


Fig. 1

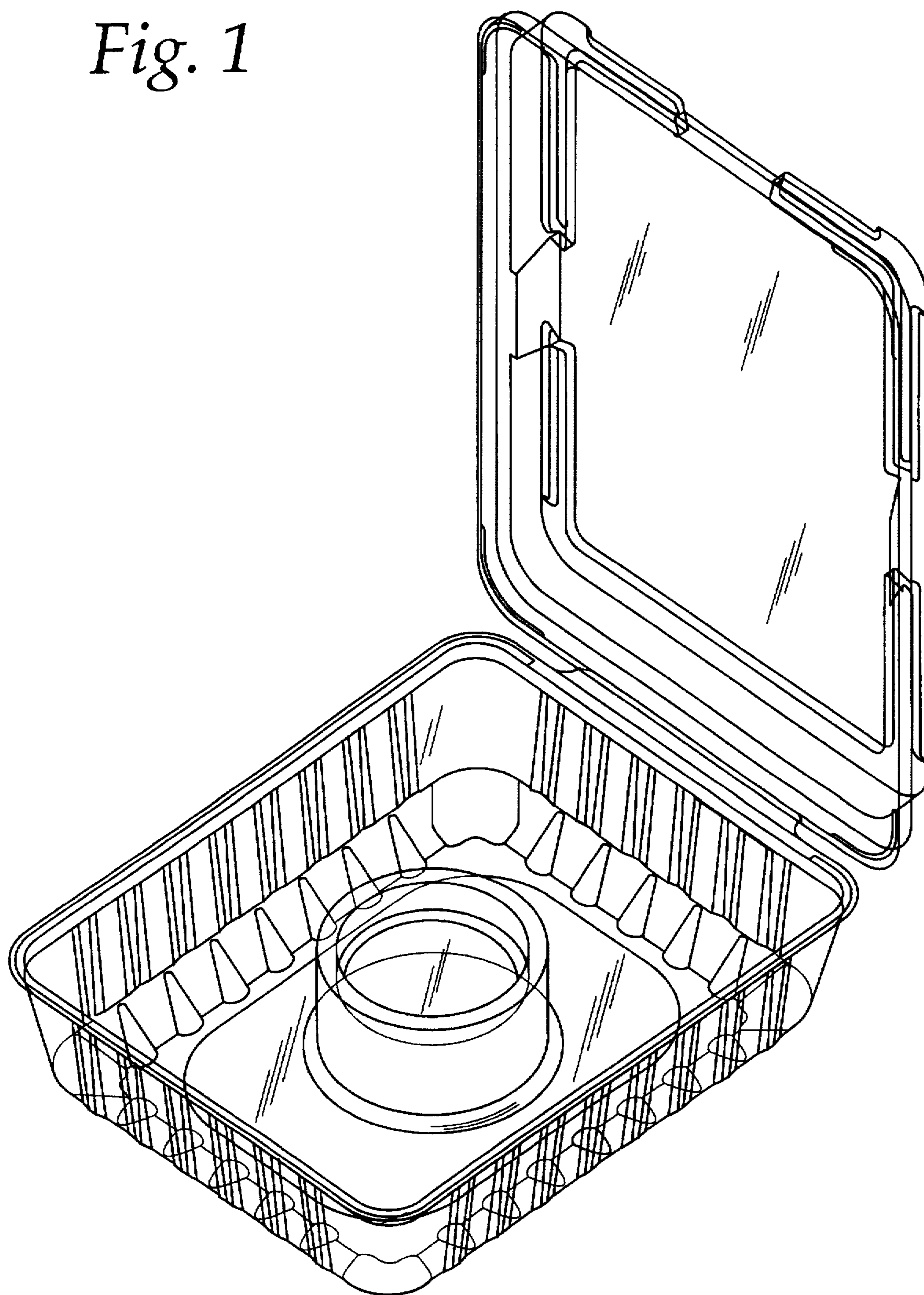


Fig. 3

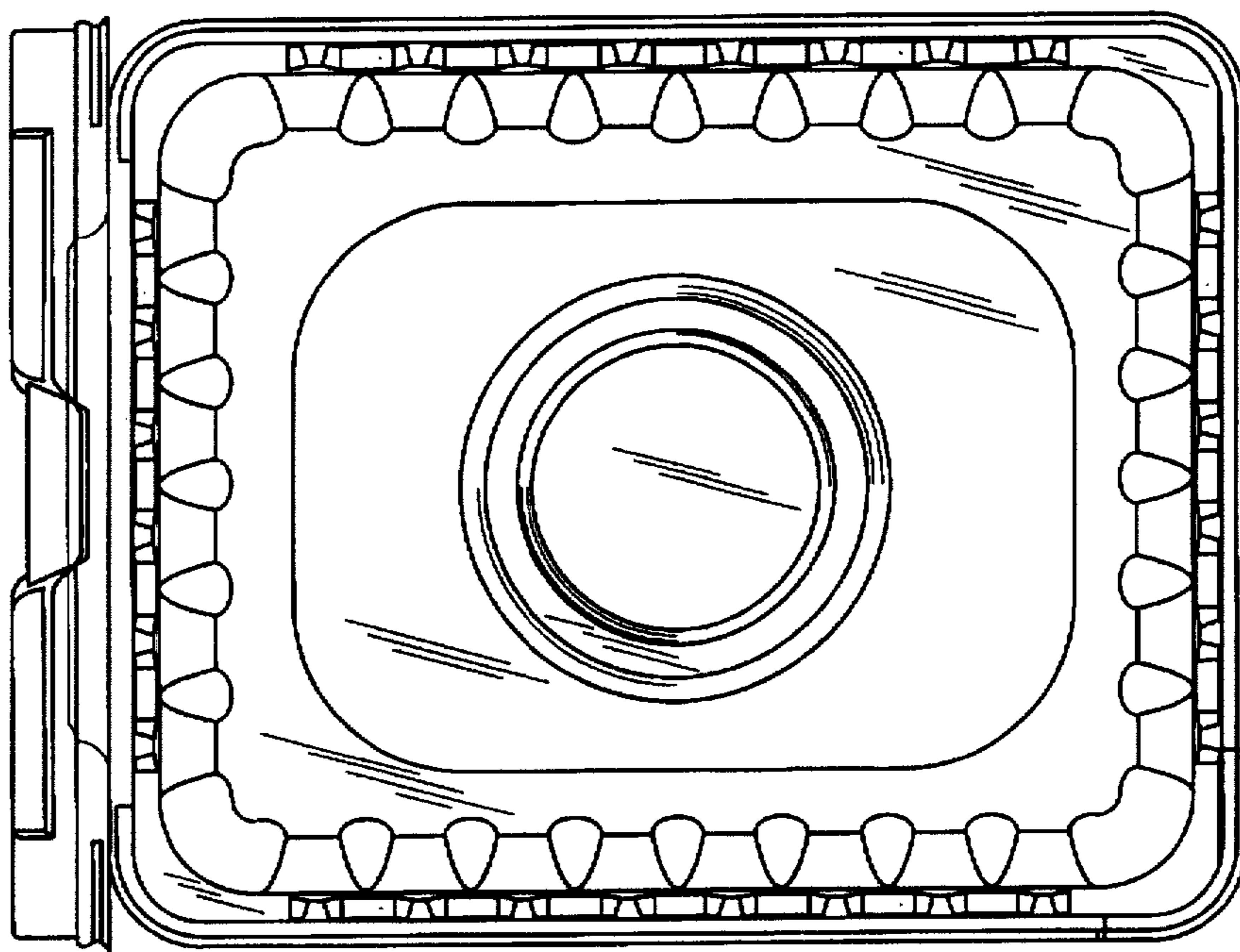


Fig. 2

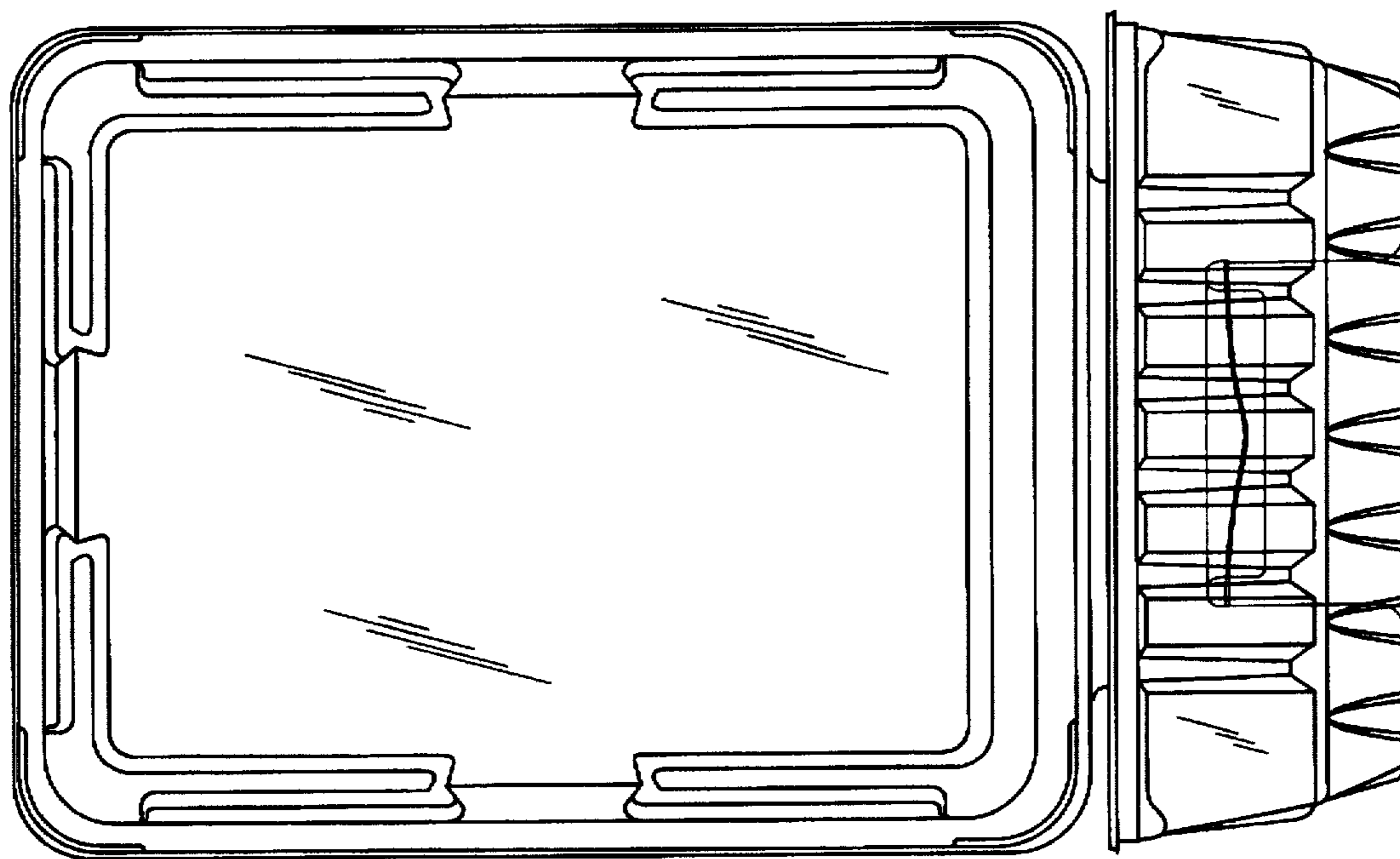


Fig. 5

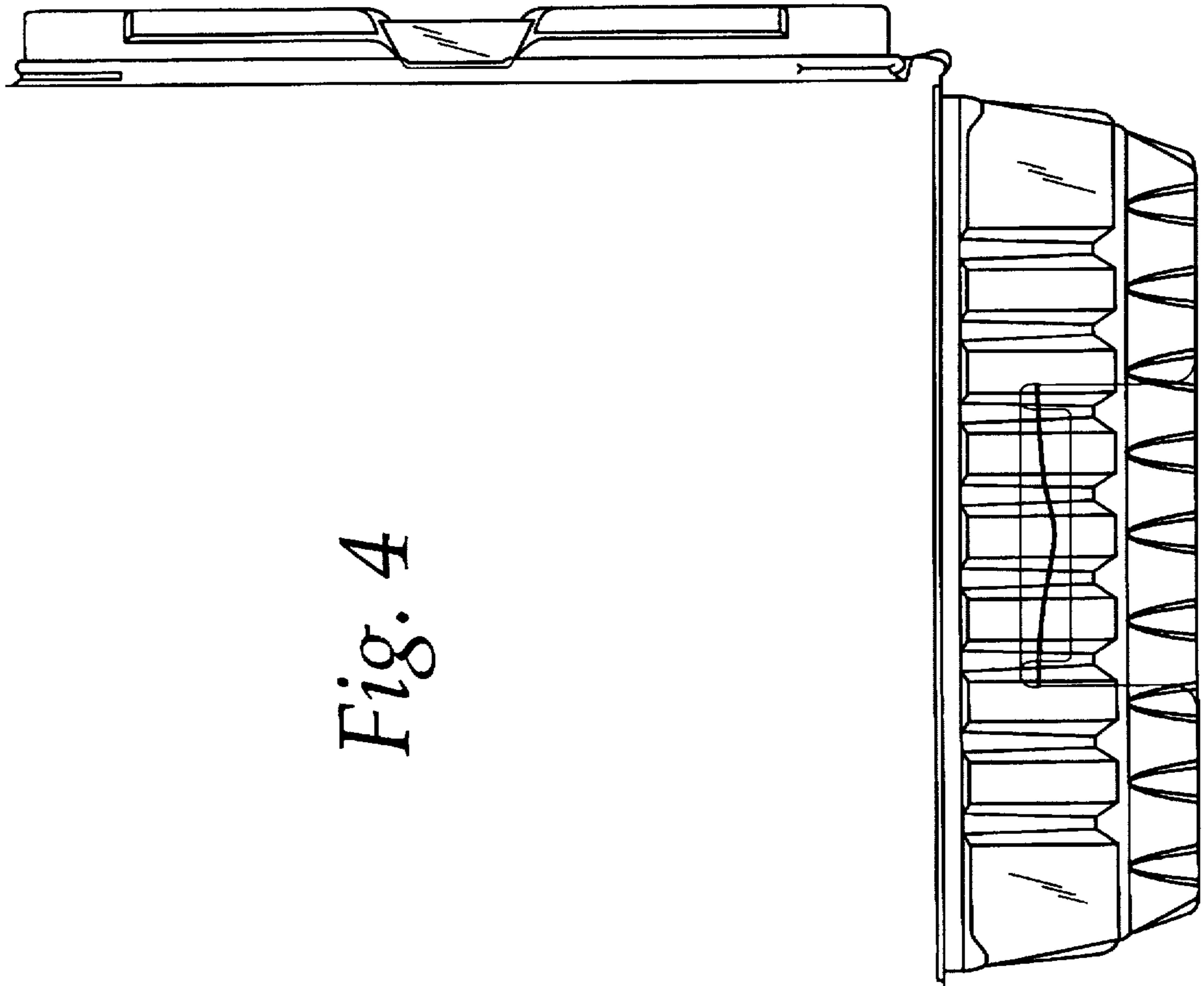
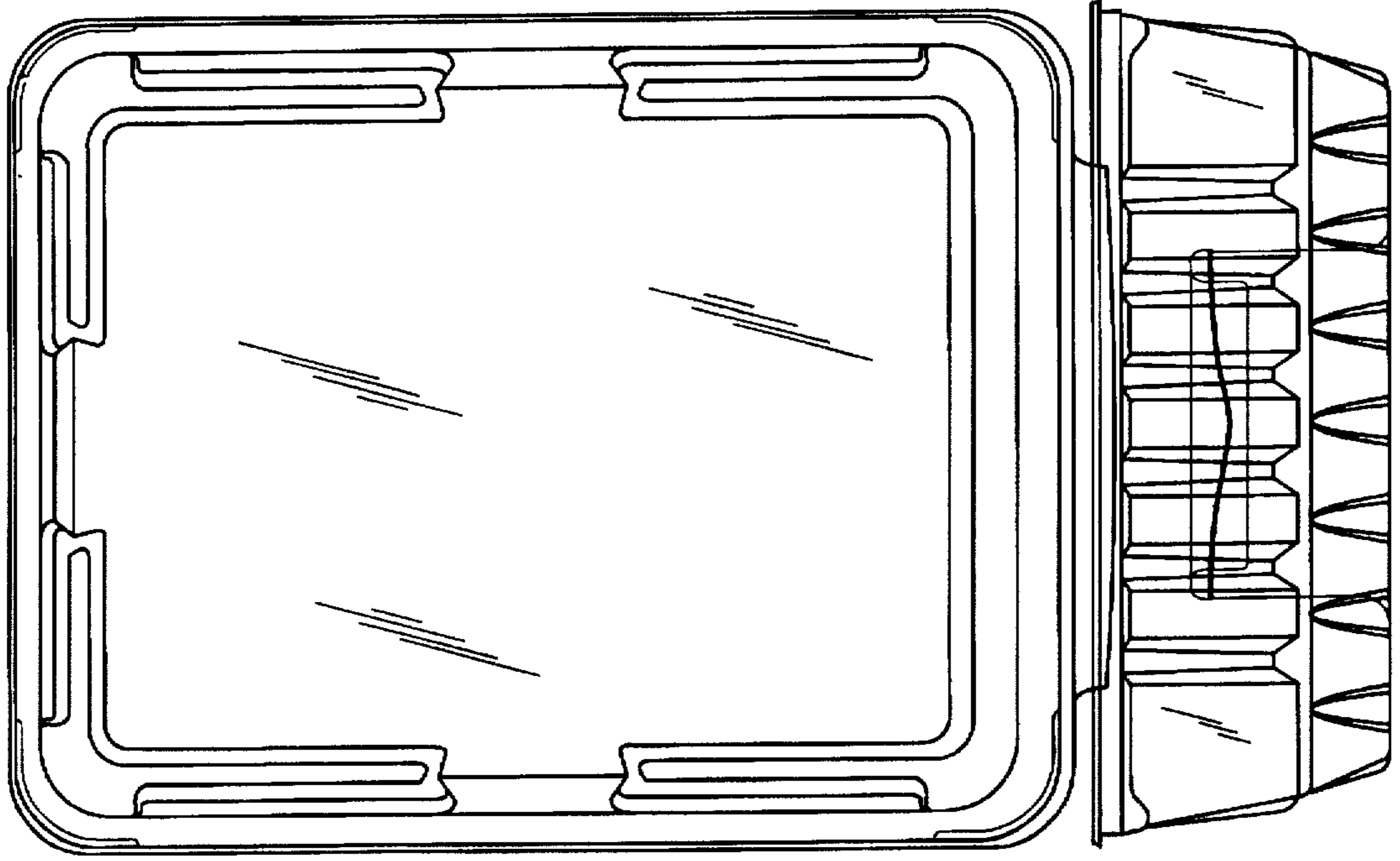


Fig. 4

Fig. 7

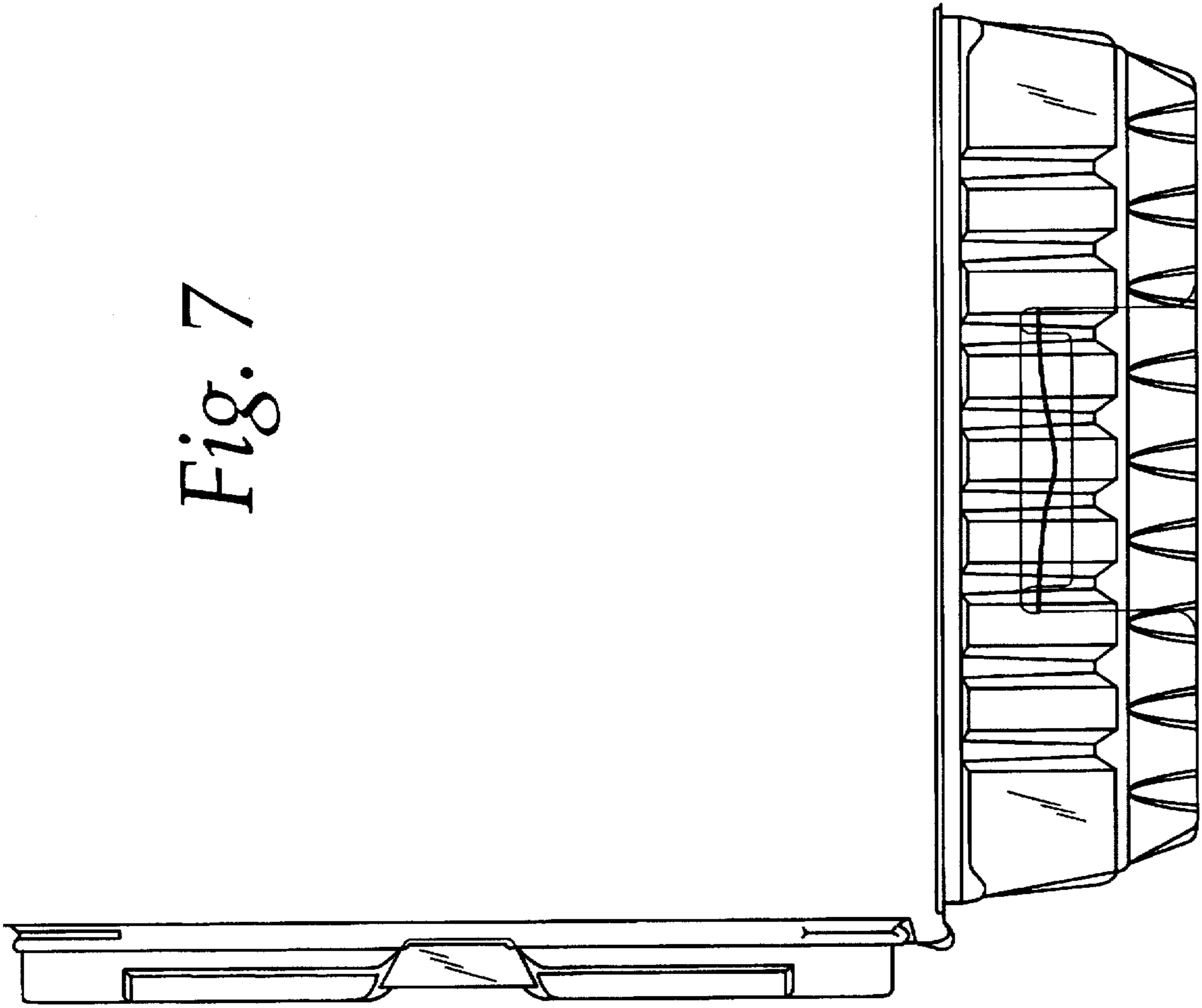


Fig. 6

