



US00D394979S

**United States Patent** [19]  
**Fabiano**

[11] **Patent Number:** **Des. 394,979**  
[45] **Date of Patent:** **\*\*Jun. 9, 1998**

[54] **MICRO DISC STORAGE FOLIO**  
[75] **Inventor:** **Rinaldo F. G. Fabiano**, Eyam, United Kingdom  
[73] **Assignee:** **SilverPoint Partners Limited**, England, Great Britain  
[\*\*] **Term:** **14 Years**

D. 324,767 3/1992 Ozeki ..... D6/626  
D. 325,816 5/1992 Ozeki ..... D6/626  
D. 359,646 6/1995 Ozeki ..... D6/626  
4,676,374 6/1987 Wilkins ..... 206/444  
5,297,675 3/1994 Martucci ..... 206/309  
5,413,215 5/1995 Hardinger, Jr. .... 206/308.1

*Primary Examiner*—M. H. Tung  
*Attorney, Agent, or Firm*—Trexler, Bushnell, Giangiorgi & Blackstone, Ltd.

[21] **Appl. No.:** **63,618**  
[22] **Filed:** **Dec. 11, 1996**

[57] **CLAIM**

The ornamental design for a micro disc storage folio, as shown and described.

[30] **Foreign Application Priority Data**  
Jun. 18, 1996 [GB] United Kingdom ..... 2057090  
[51] **LOC (6) Cl.** ..... **03-01**  
[52] **U.S. Cl.** ..... **D6/626**  
[58] **Field of Search** ..... D14/114; 206/308.1, 206/308.3, 307, 307.1, 309-13; D6/407, 626, 629, 630; D3/249, 310; D19/90

**DESCRIPTION**

FIG. 1 is a perspective view of a micro disc storage folio showing my new design, the broken line drawing of a diskette and how it is inserted into the folio is for illustrative purposes only and forms no part of the claimed design; FIG. 2 is a top plan view; FIG. 3 is a bottom plan view; FIG. 4 is a right side elevational view, the left side view is a mirror image; FIG. 5 is a front elevational view, the rear view is a mirror image; and, FIG. 6 is a cross-sectional view along line 6—6 in FIG. 2.

[56] **References Cited**  
**U.S. PATENT DOCUMENTS**  
D. 238,110 12/1975 Shyers ..... D6/526  
D. 306,513 3/1990 Ozeki ..... D6/626  
D. 322,725 12/1991 Strickland, III ..... D6/631

**1 Claim, 4 Drawing Sheets**

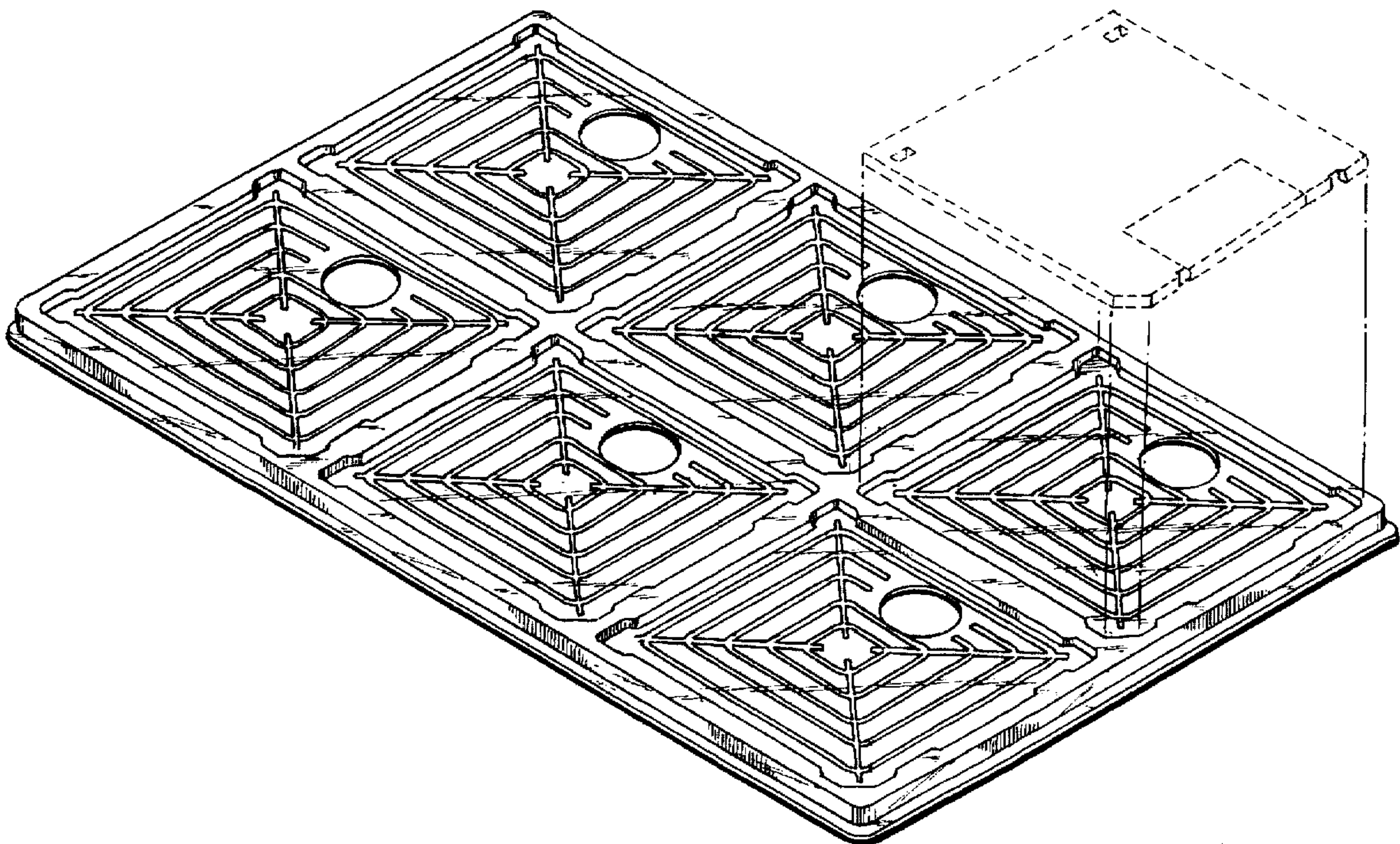




FIG. 1

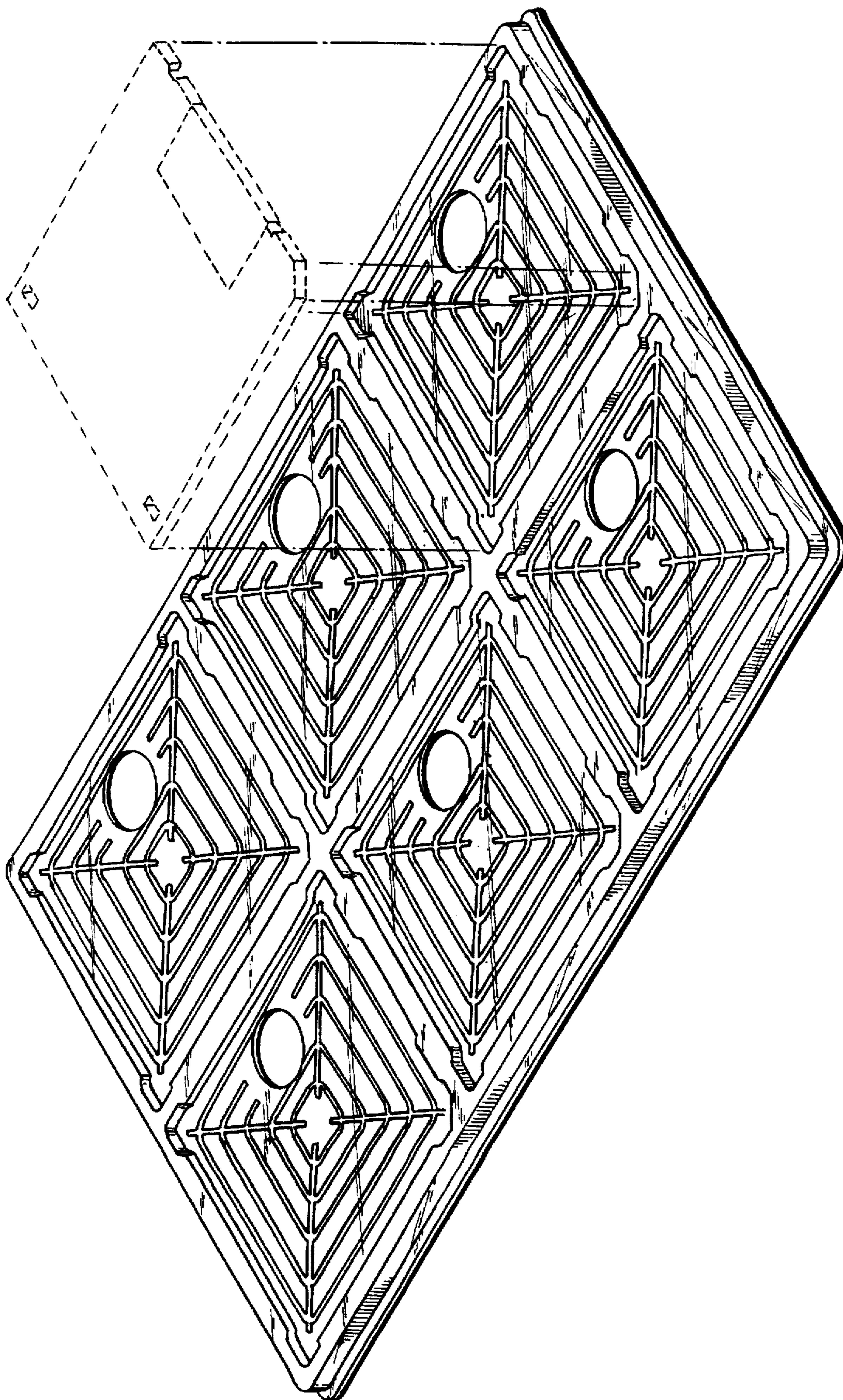




FIG. 2

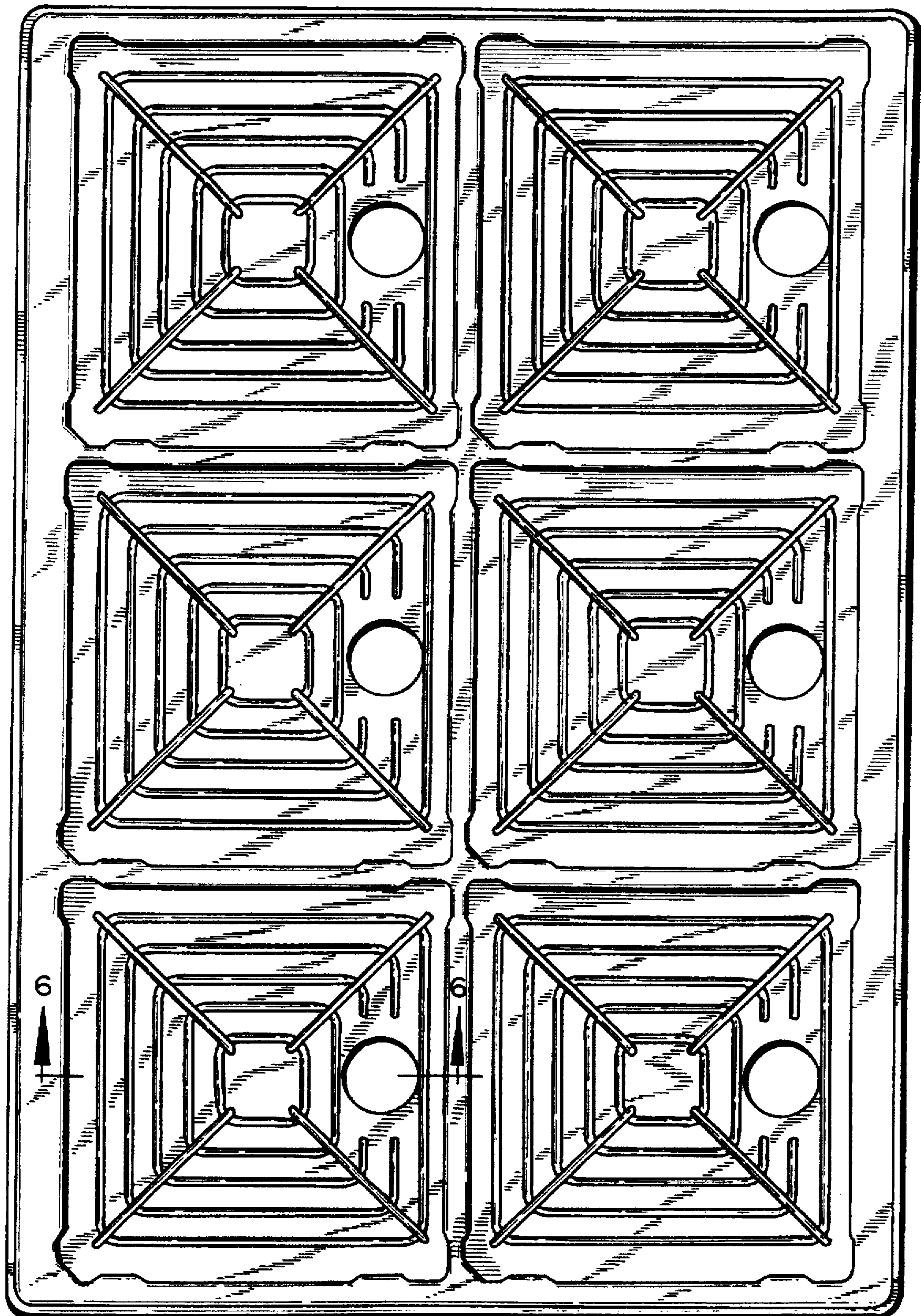




FIG. 3

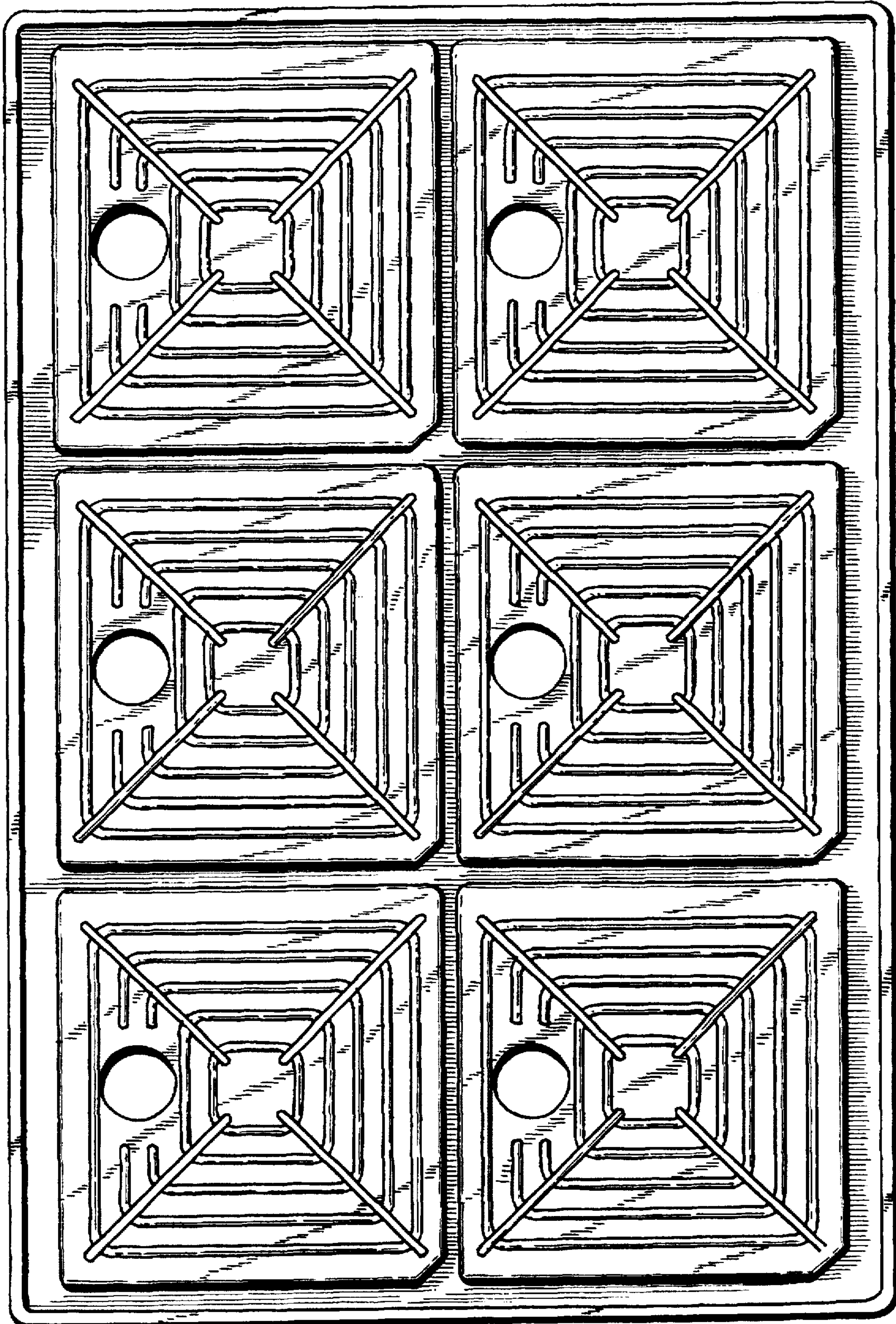


FIG.4



FIG.5



FIG.6

