



US00D394976S

United States Patent [19]

Benchimol et al.

[11] Patent Number: **Des. 394,976**

[45] Date of Patent: ****Jun. 9, 1998**

[54] **STANCHION COMPONENT HALF OF A TWO-PART ASSEMBLY WHICH FUNCTIONS AS A POST TO RECEIVE SLOTTED STRIPS FOR HOLDING SHELF BRACKETS**

D. 380,632	7/1997	Schacht	D6/495
D. 382,736	8/1997	Kopish	D6/495
3,259,079	7/1966	Freeman	D6/495
3,848,844	11/1974	Barrett	312/111 X
3,896,743	7/1975	Pariante	211/182 X

[76] Inventors: **Joseph Benchimol**, 26 Cockfield Avenue, Downsview, Ontario, Canada, M3H 2S5; **Aldo Perri**, 22 Pinebough Manor, Richmond Hill, Ontario, Canada, L4C 1A6

Primary Examiner—Brian N. Vinson
Attorney, Agent, or Firm—Shoemaker and Mattare Ltd

[**] Term: **14 Years**

[21] Appl. No.: **69,563**

[22] Filed: **Apr. 29, 1997**

[57] CLAIM

The ornamental design for a stanchion component half of a two-part assembly which functions as a post to receive slotted strips for holding shelf brackets, as shown and described.

Related U.S. Application Data

[63] Continuation-in-part of Ser. No. 42,181, Aug. 3, 1995, abandoned.

[51] LOC (6) Cl. **07-07**

[52] U.S. Cl. **D6/574**

[58] Field of Search D6/396, 457, 492, D6/495, 511; D8/381; D25/119-125; 312/107, 111; 211/134, 186, 182; 248/127, 158, 176.1

DESCRIPTION

FIG. 1 is a transverse cross-section of a stanchion component half of a two-part assembly which functions as a post to receive slotted strips for holding shelf brackets, showing our new design;

FIG. 2 is a perspective view thereof, from below; and,

FIG. 3 is a perspective view thereof, from above.

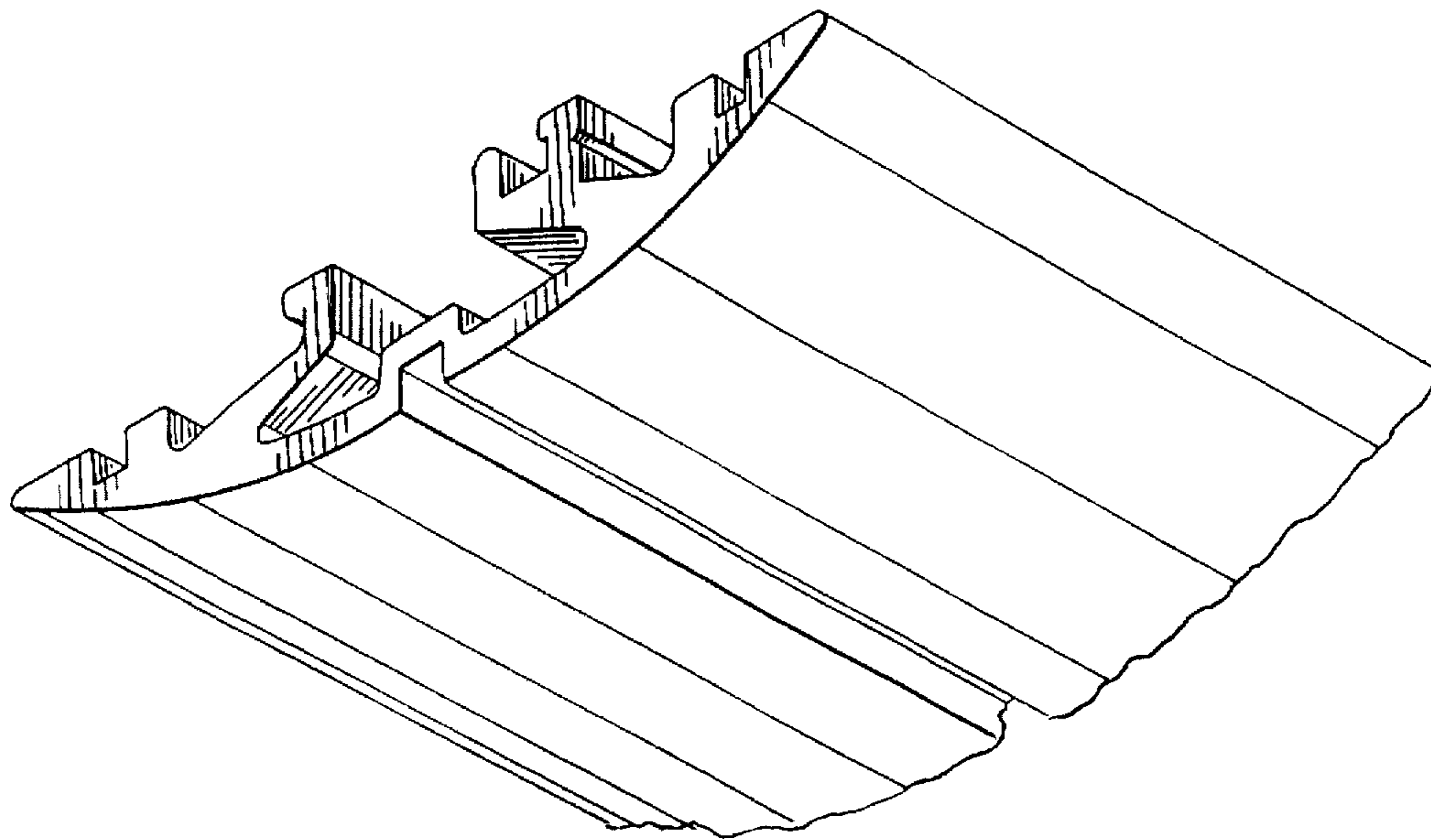
The irregular far edge shown in FIG. 2 and 3 connotes an article of indefinite length.

[56] References Cited

U.S. PATENT DOCUMENTS

D. 343,312 1/1994 Burdick et al. D6/495

1 Claim, 2 Drawing Sheets



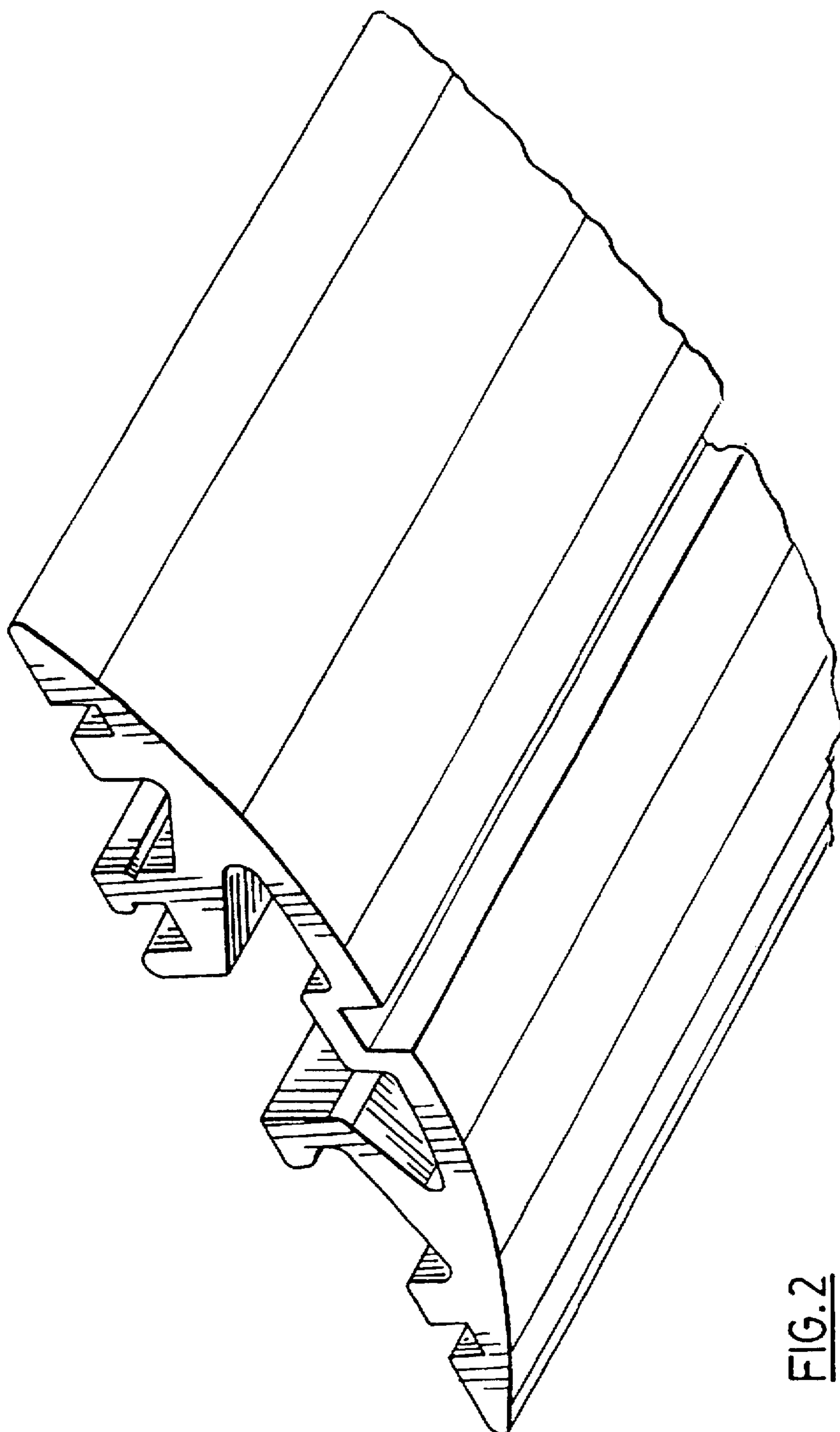


FIG. 2

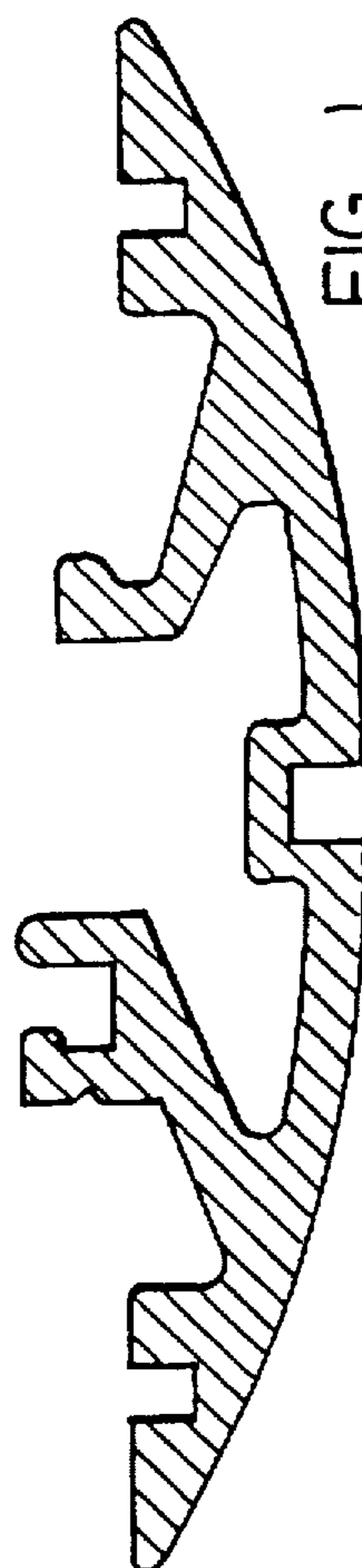


FIG. 1

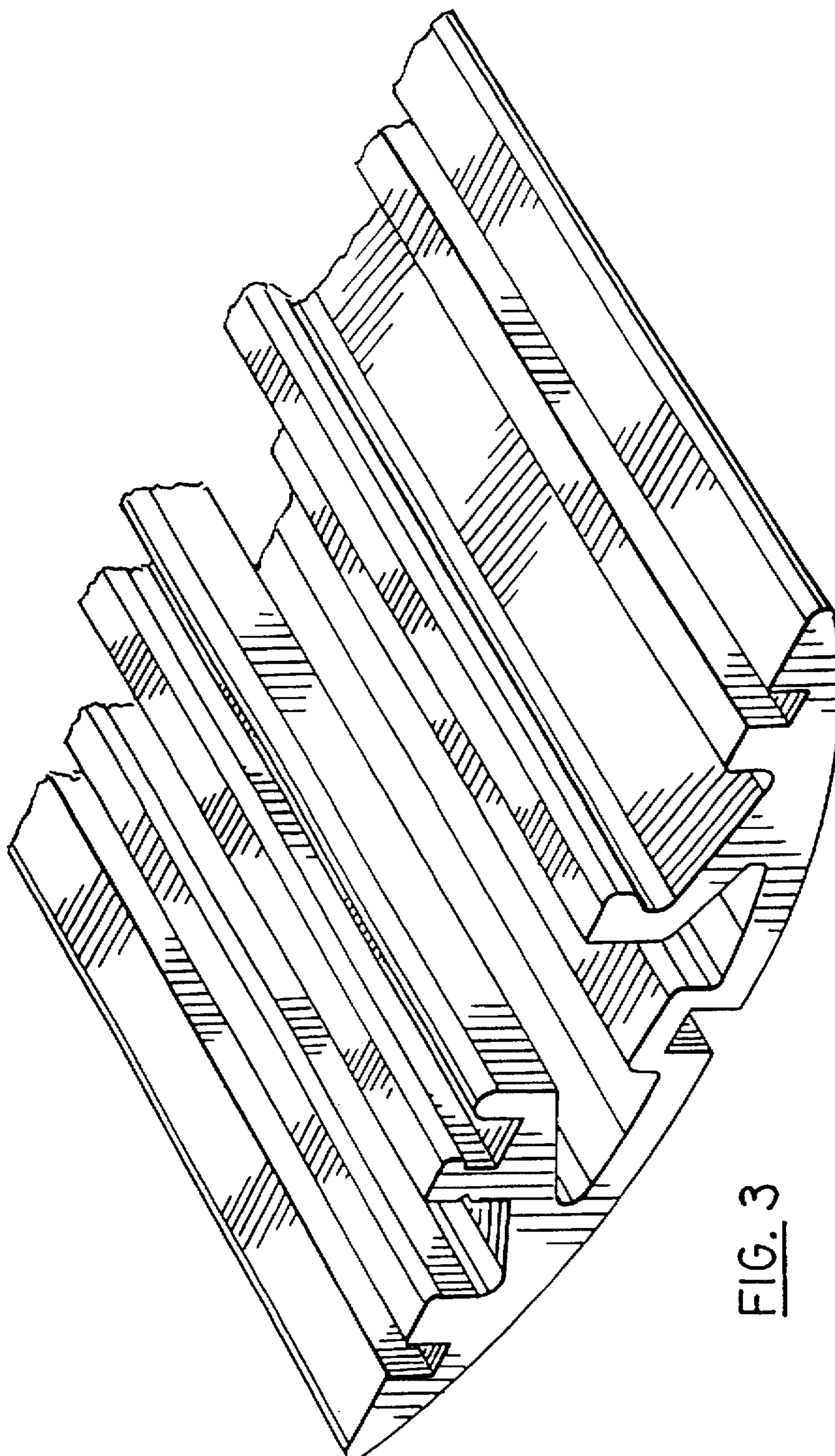


FIG. 3