



US00D394975S

# United States Patent [19]

Wilkening et al.

[11] Patent Number: **Des. 394,975**

[45] Date of Patent: **\*\*Jun. 9, 1998**

[54] **WALL BRACKET FOR BICYCLE**

[75] Inventors: **Steven R. Wilkening**, Grandville, Mich.; **Walter B. Herbst**, Lake Forest, Ill.; **Kurt T. Peterson**, Mt. Prospect, Ill.; **Aaron B. Eiger**, Evanston, Ill.

D. 323,307 1/1992 Fernandez-Bell ..... D12/115  
 D. 335,234 5/1993 Alguire ..... D6/552  
 D. 343,320 1/1994 Smith ..... D6/552  
 D. 344,868 3/1994 Martinell ..... D6/552  
 D. 359,466 6/1995 Eggers et al. .... D12/115  
 5,104,083 4/1992 Shannop ..... 248/339

[73] Assignee: **ODL, Incorporated**, Zeeland, Mich.

*Primary Examiner*—Melody N. Brown  
*Attorney, Agent, or Firm*—Warner Norcross & Judd

[\*\*] Term: **14 Years**

### [57] CLAIM

[21] Appl. No.: **58,172**

The ornamental design for a wall bracket for bicycle, as shown and described.

[22] Filed: **Aug. 9, 1996**

### DESCRIPTION

[51] **LOC (6) Cl.** ..... **08-05**  
 [52] **U.S. Cl.** ..... **D6/552; D12/115; D6/569**  
 [58] **Field of Search** ..... D12/114, 115,  
 D12/223; D6/552, 569; 211/17-20, 13;  
 D8/371; 248/302, 309.1, 314, 316.8, 339

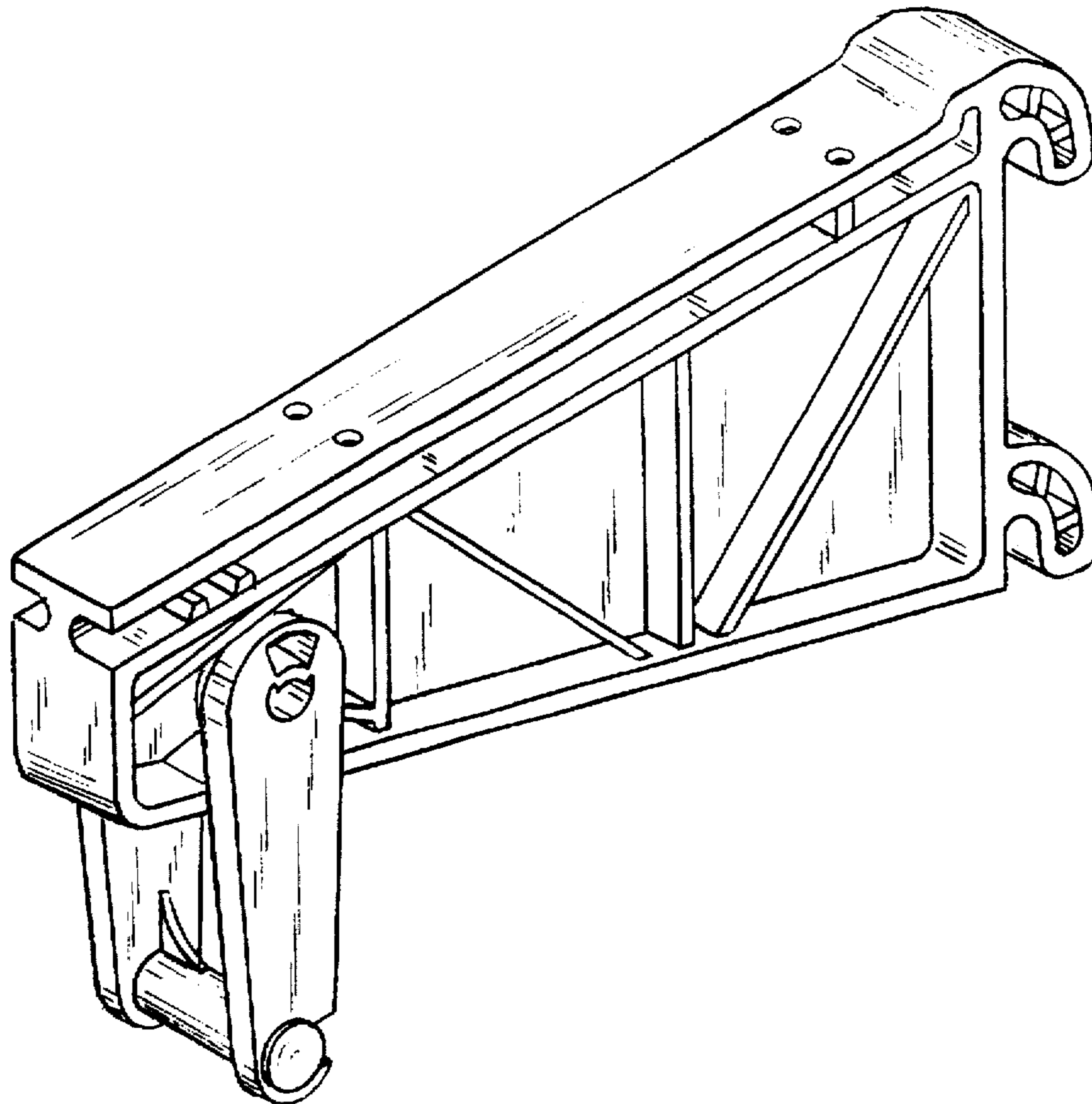
FIG. 1 is a perspective view of the wall bracket for bicycle embodying the new design;  
 FIG. 2 is a right side elevational view thereof;  
 FIG. 3 is a left side elevational view thereof;  
 FIG. 4 is a rear elevational view thereof;  
 FIG. 5 is a front elevational view thereof;  
 FIG. 6 is a top plan view thereof; and,  
 FIG. 7 is a bottom plan view thereof.

### [56] References Cited

#### U.S. PATENT DOCUMENTS

D. 42,090 1/1912 Perrine ..... D12/115  
 D. 235,427 6/1975 Generalis ..... D12/115

**1 Claim, 3 Drawing Sheets**



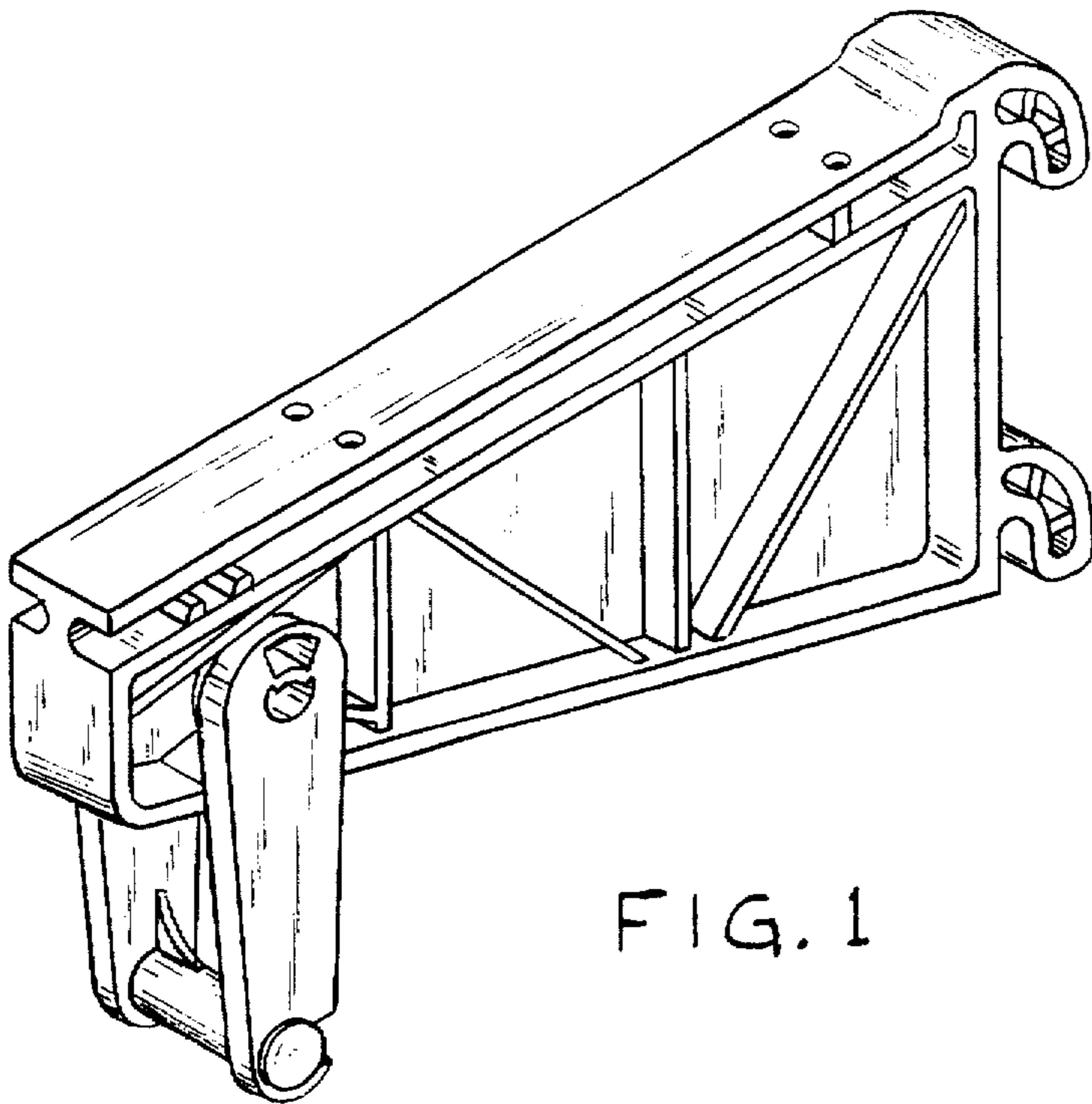


FIG. 1

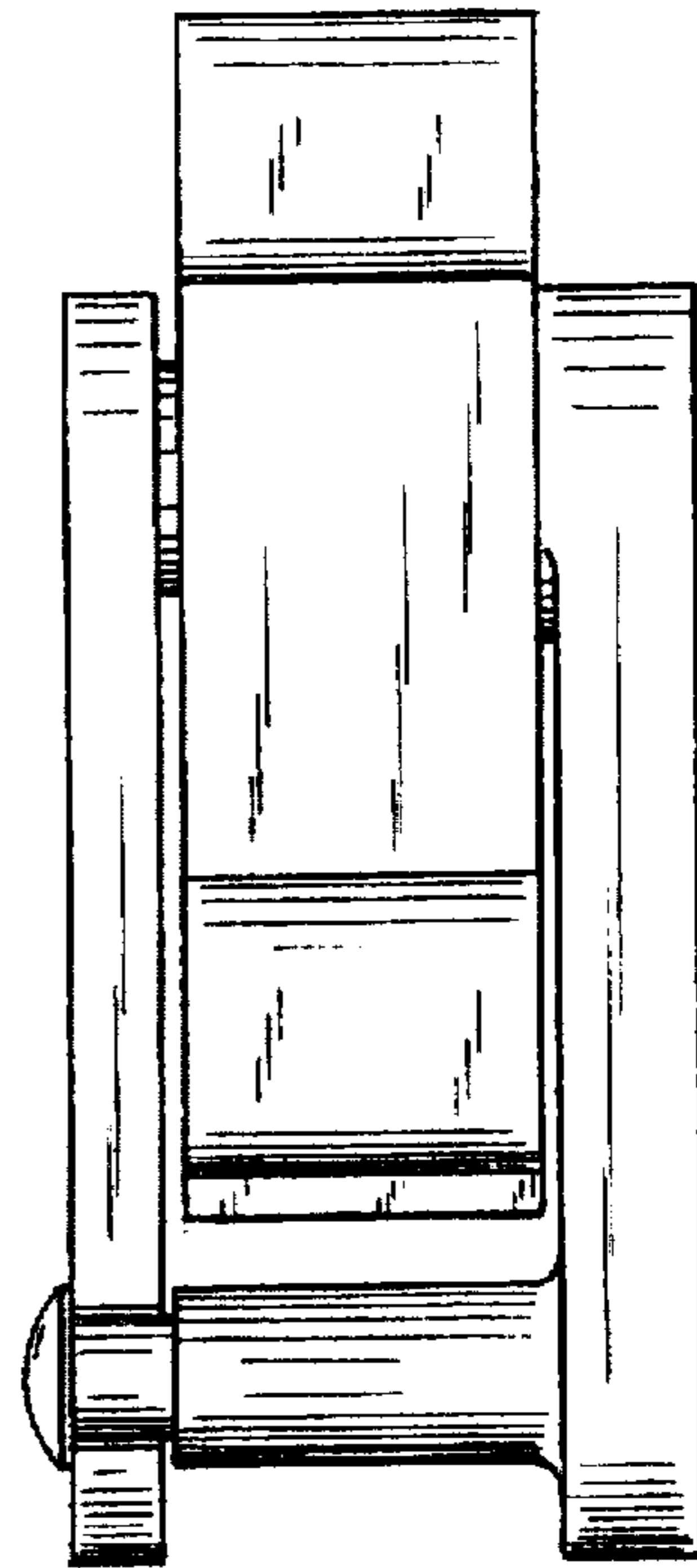


FIG. 4

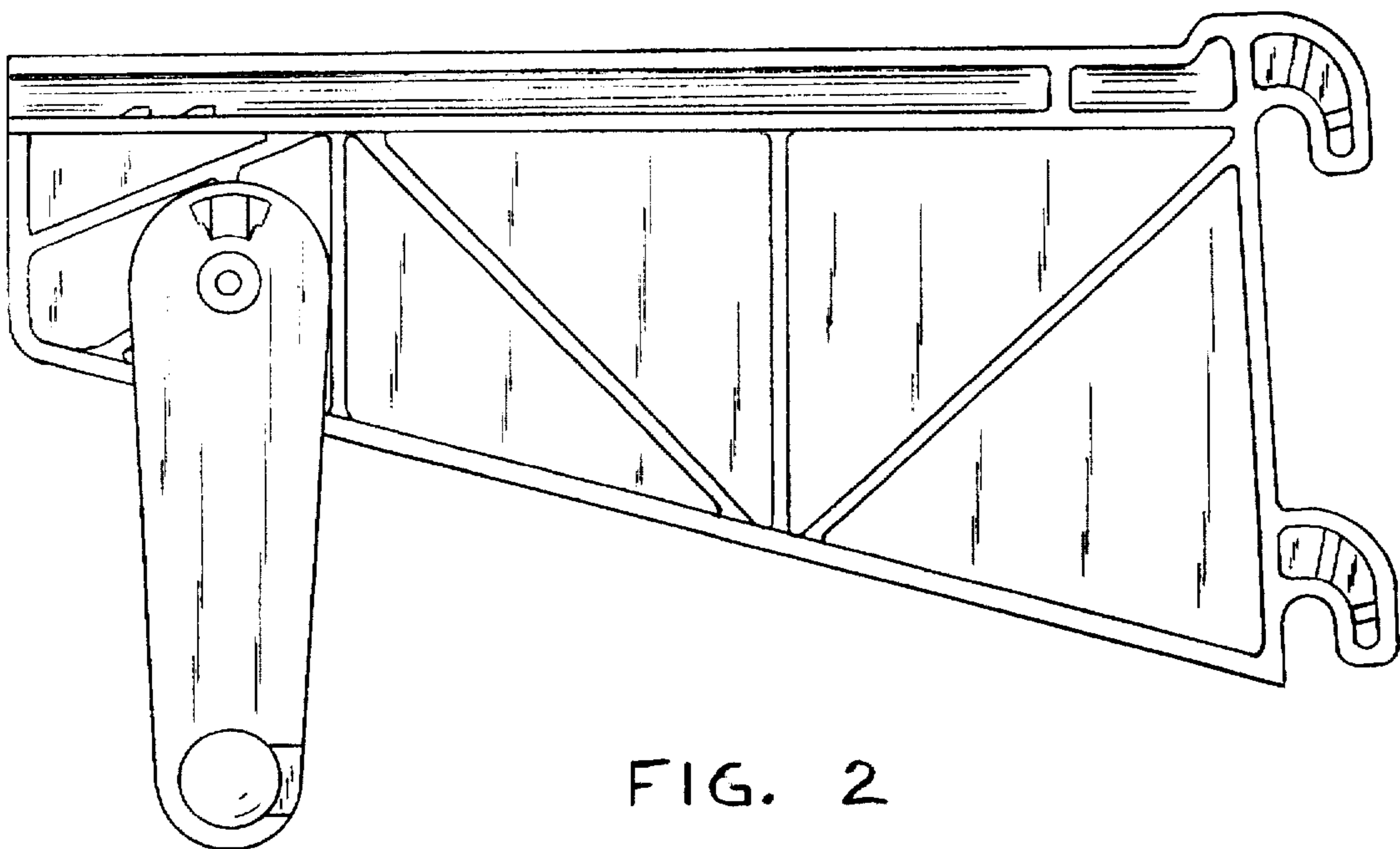


FIG. 2

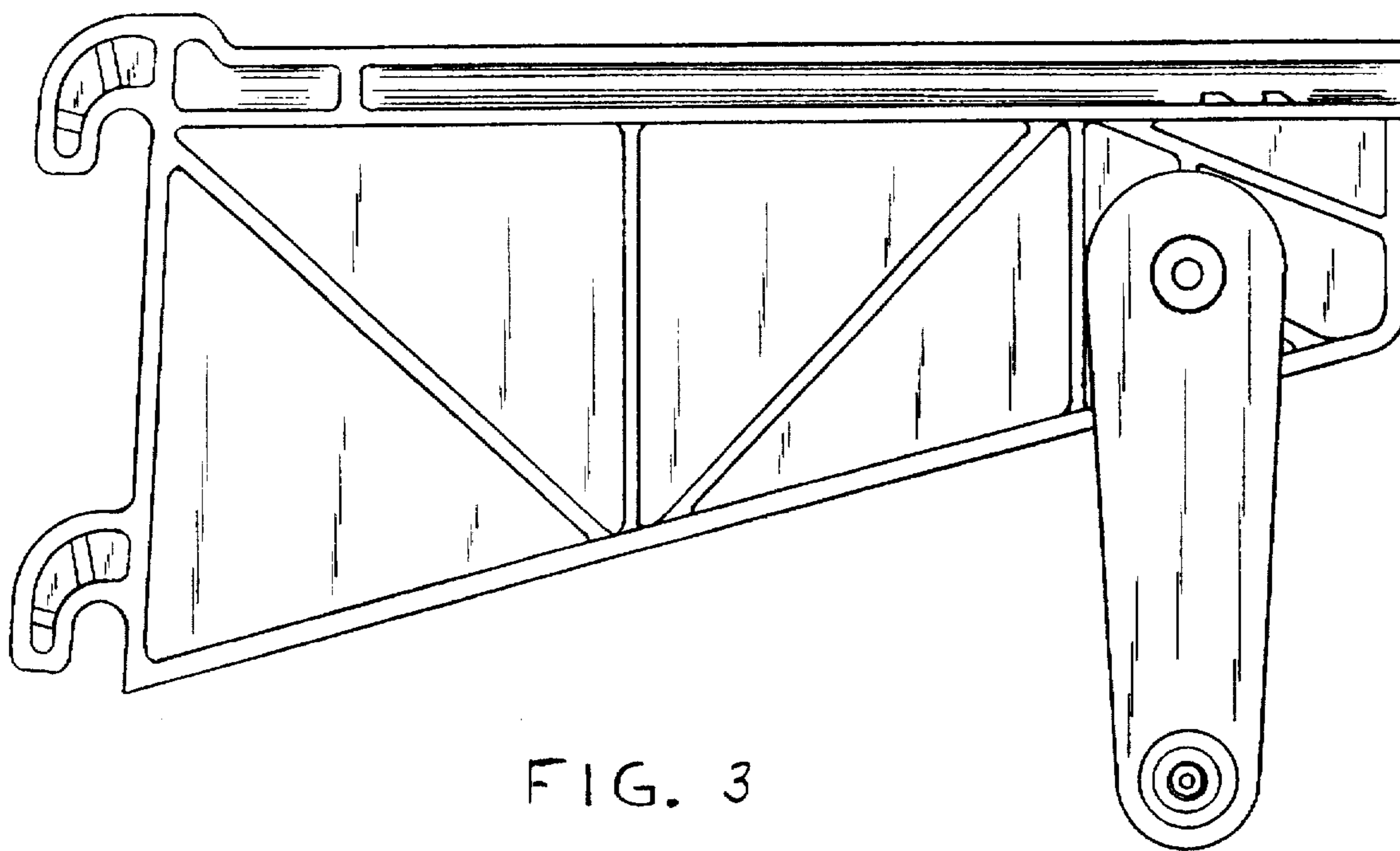


FIG. 3

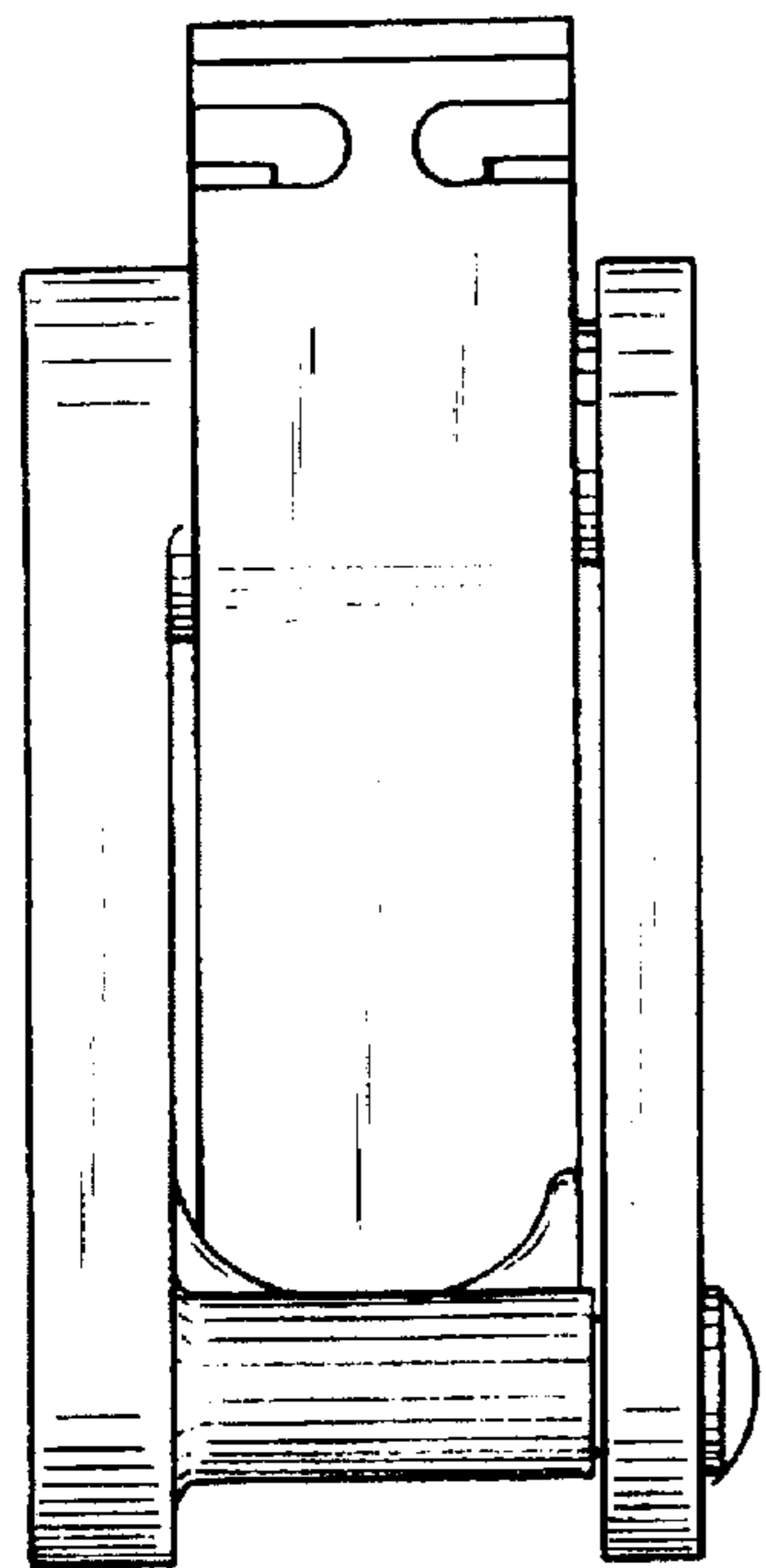


FIG. 5

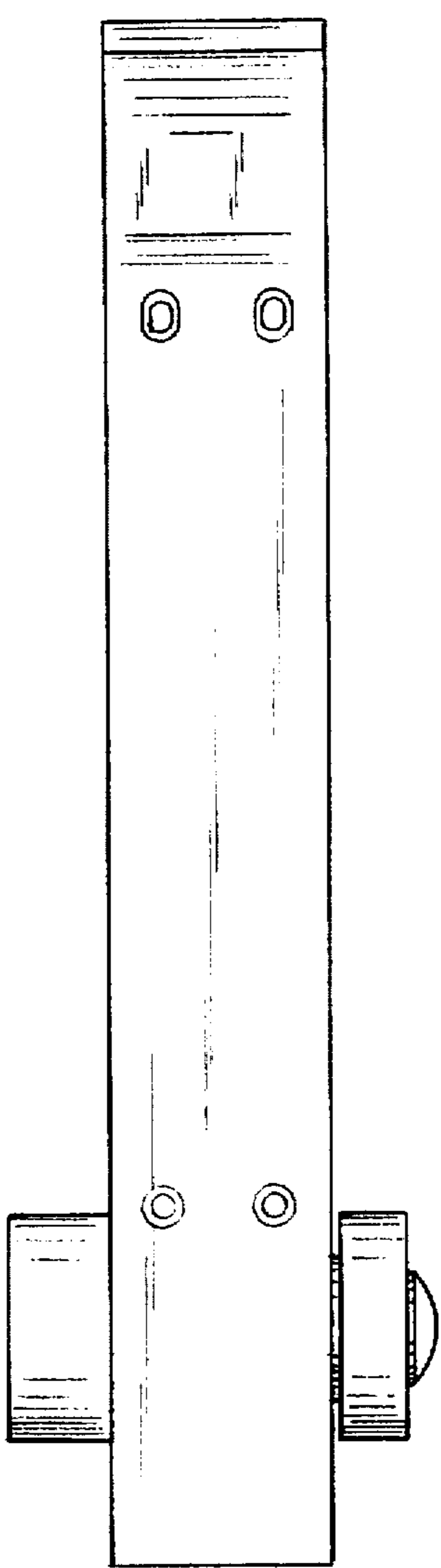


FIG. 6

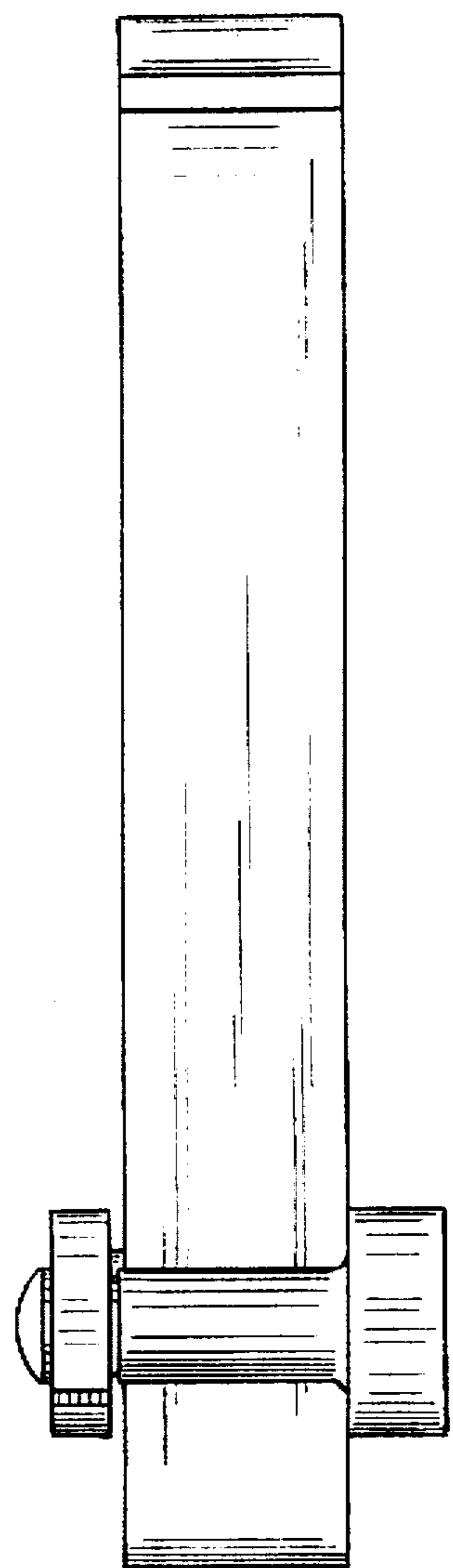


FIG. 7