



US00D394974S

United States Patent [19]

[11] Patent Number: **Des. 394,974**

Albertson, Jr. et al.

[45] Date of Patent: ****Jun. 9, 1998**

[54] **IN-LINE SKATE HOLDER**

[76] Inventors: **Richard Duane Albertson, Jr.**, 8720 Juniper, Lansing, Mich. 48917; **Leon A. Woodruff, Jr.**, 909 Ferley, Lansing, Mich. 48911

[**] Term: **14 Years**

[21] Appl. No.: **50,254**

[22] Filed: **Feb. 12, 1996**

[51] LOC (6) Cl. **06-02**

[52] U.S. Cl. **D6/552**

[58] Field of Search D6/512-513, 552, D6/315, 323, 326; D8/367, 373; 211/34-38, 113; 248/317

- 518,602 4/1894 Hatcher .
- 1,463,753 6/1919 Reed .
- 1,465,338 8/1923 Boyd .
- 1,491,886 4/1924 Sawilowsky .
- 1,524,372 1/1925 Torchia .
- 1,547,852 7/1925 West et al. .
- 1,977,157 10/1934 Strobel .
- 2,098,735 11/1937 Yentis .
- 2,289,473 7/1942 Amara .
- 2,466,406 4/1949 Freeman .
- 3,589,522 6/1971 Chiodo .

Primary Examiner—Marcus A. Jackson
Attorney, Agent, or Firm—Ian C. McLeod; Mary M. Moyne

[57] **CLAIM**

The ornamental design for an in-line skate holder, as shown and described.

DESCRIPTION

FIG. 1 is a perspective view of an in-line skate holder showing our new design;
FIG. 2 is a top plan view thereof;
FIG. 3 is a bottom plan view thereof;
FIG. 4 is a left side elevational view thereof, the right side being a mirror image thereof;
FIG. 5 is a front elevational view thereof; and
FIG. 6 is a rear elevational view thereof.

1 Claim, 4 Drawing Sheets

[56] **References Cited**

U.S. PATENT DOCUMENTS

- 93,021 8/1834 Jennings .
- 222,157 12/1879 Ross, Jr. .
- 244,083 7/1881 Smallwood .
- D. 353,717 12/1994 O'Neil D6/552
- D. 363,822 11/1995 O'Neil D6/552
- D. 368,403 4/1996 Michalk et al. D6/552
- 386,746 7/1888 Hess .
- 446,312 2/1891 Wikle .

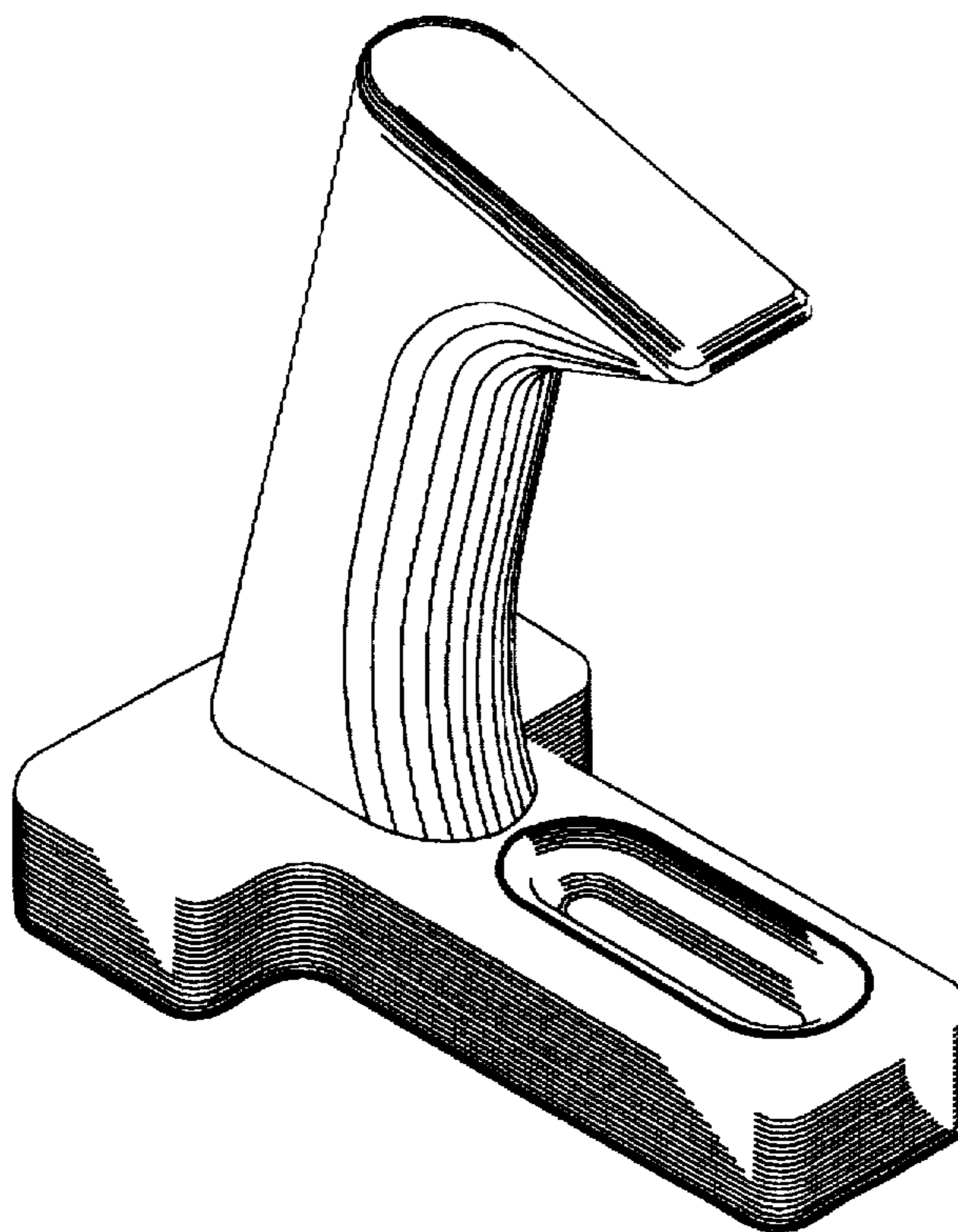
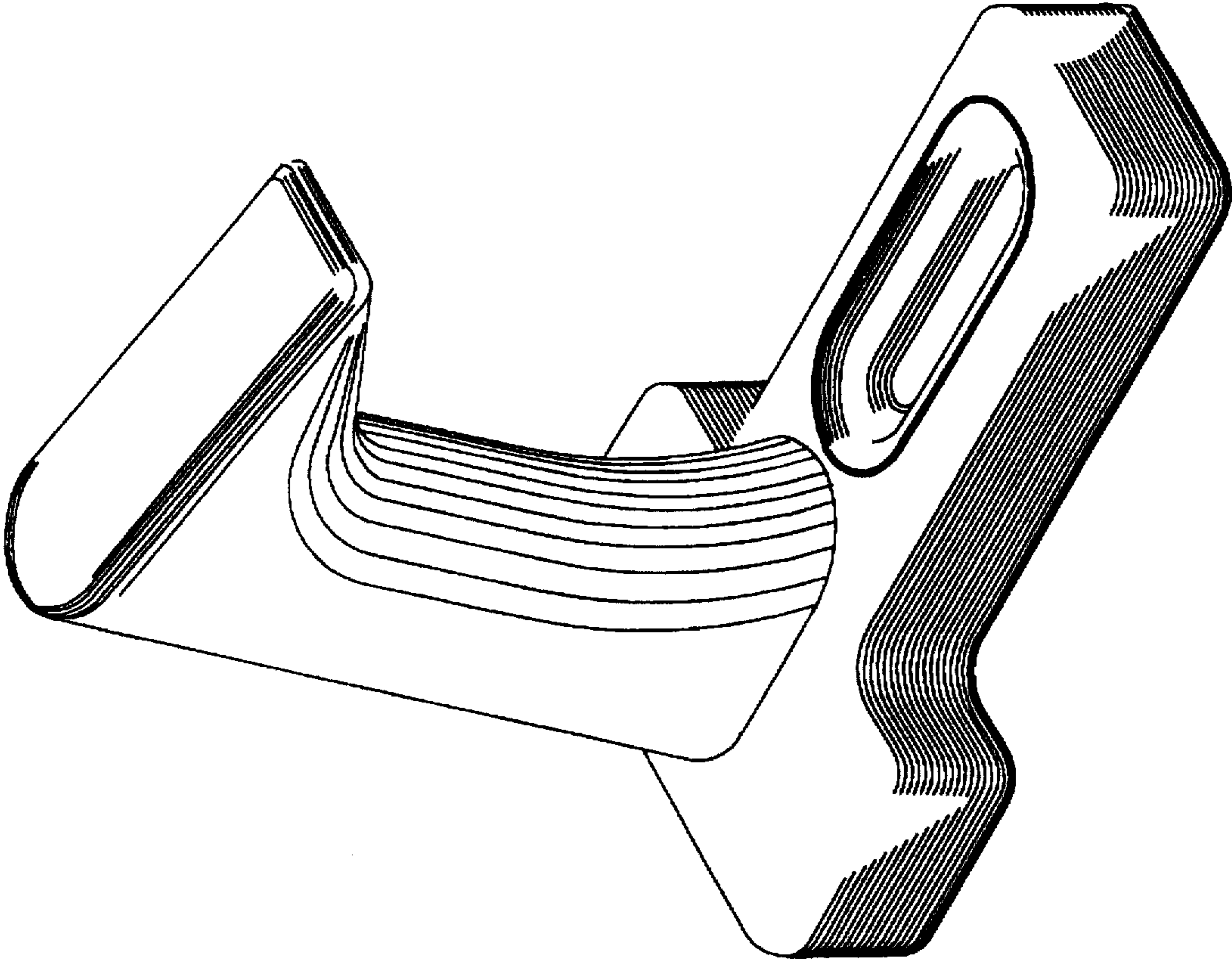


FIG. 1



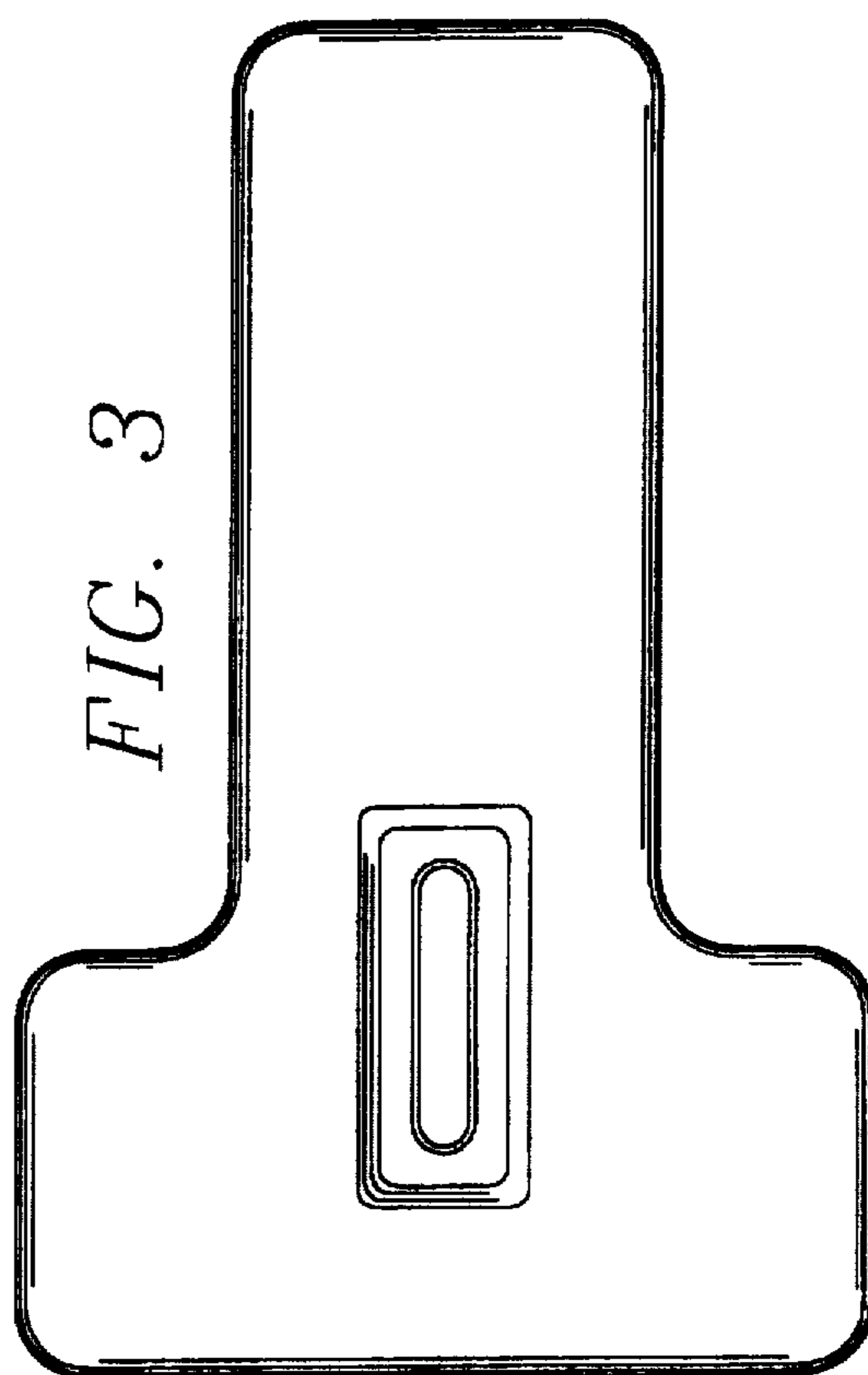
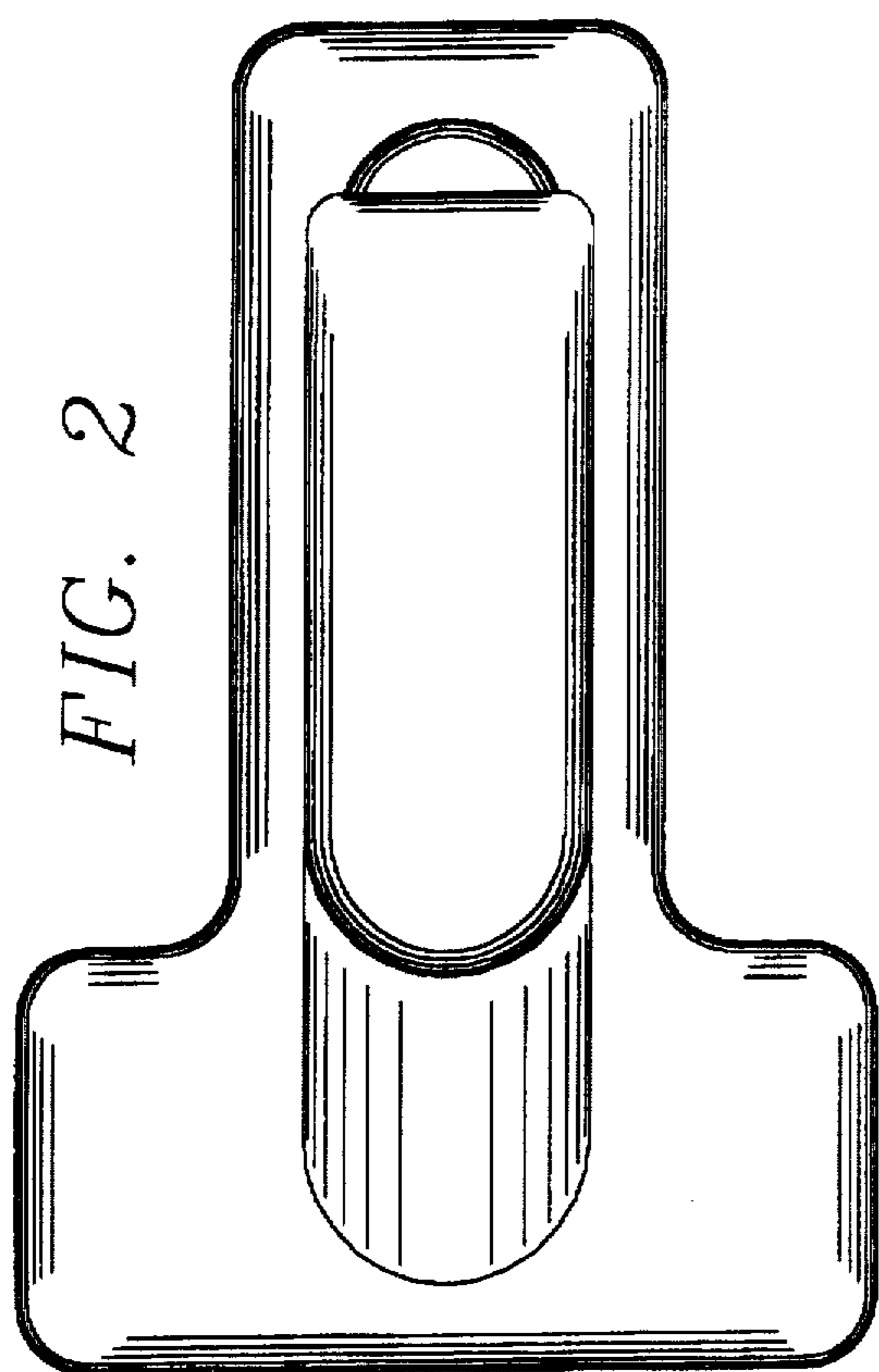


FIG. 5

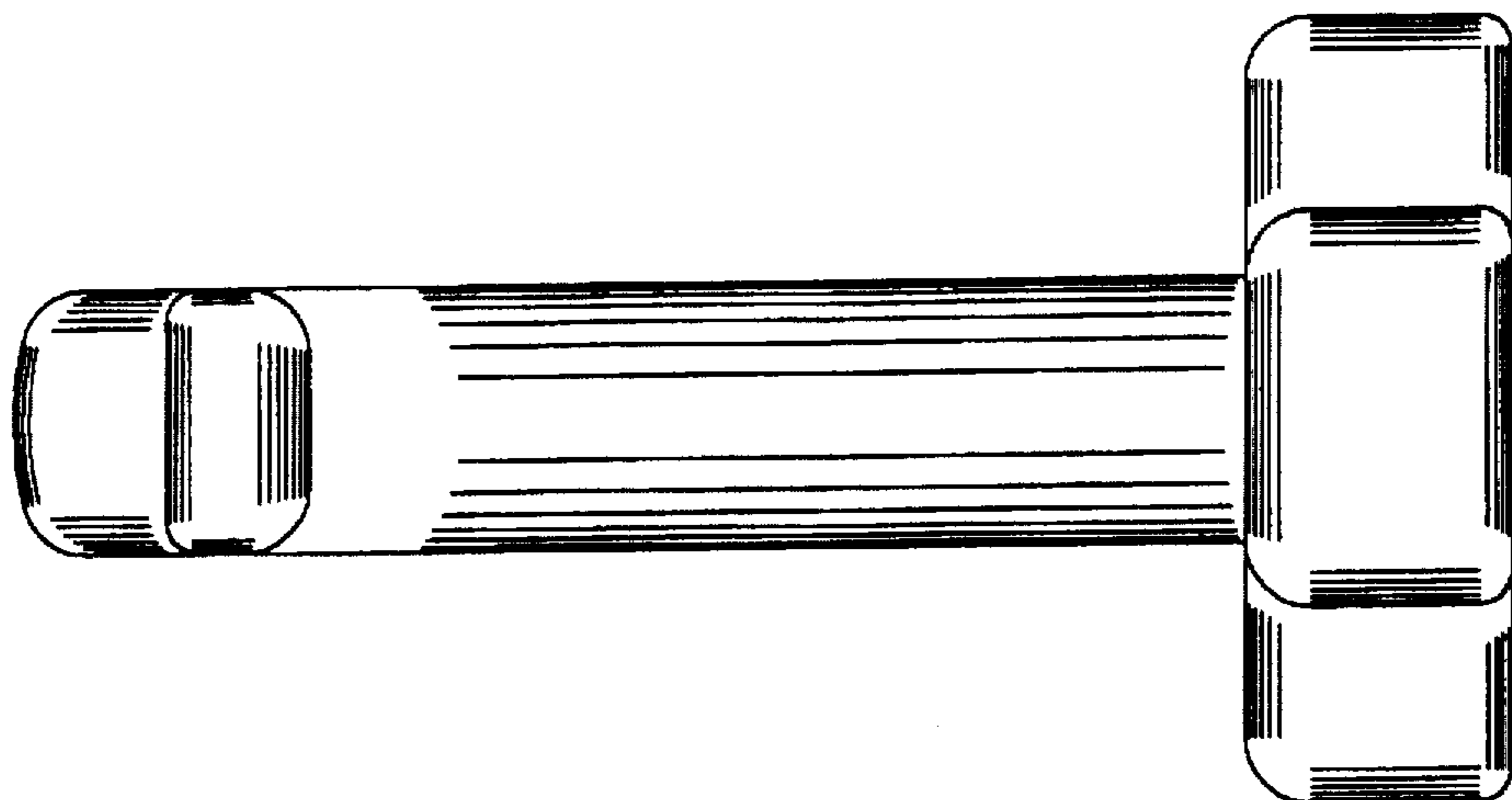


FIG. 4

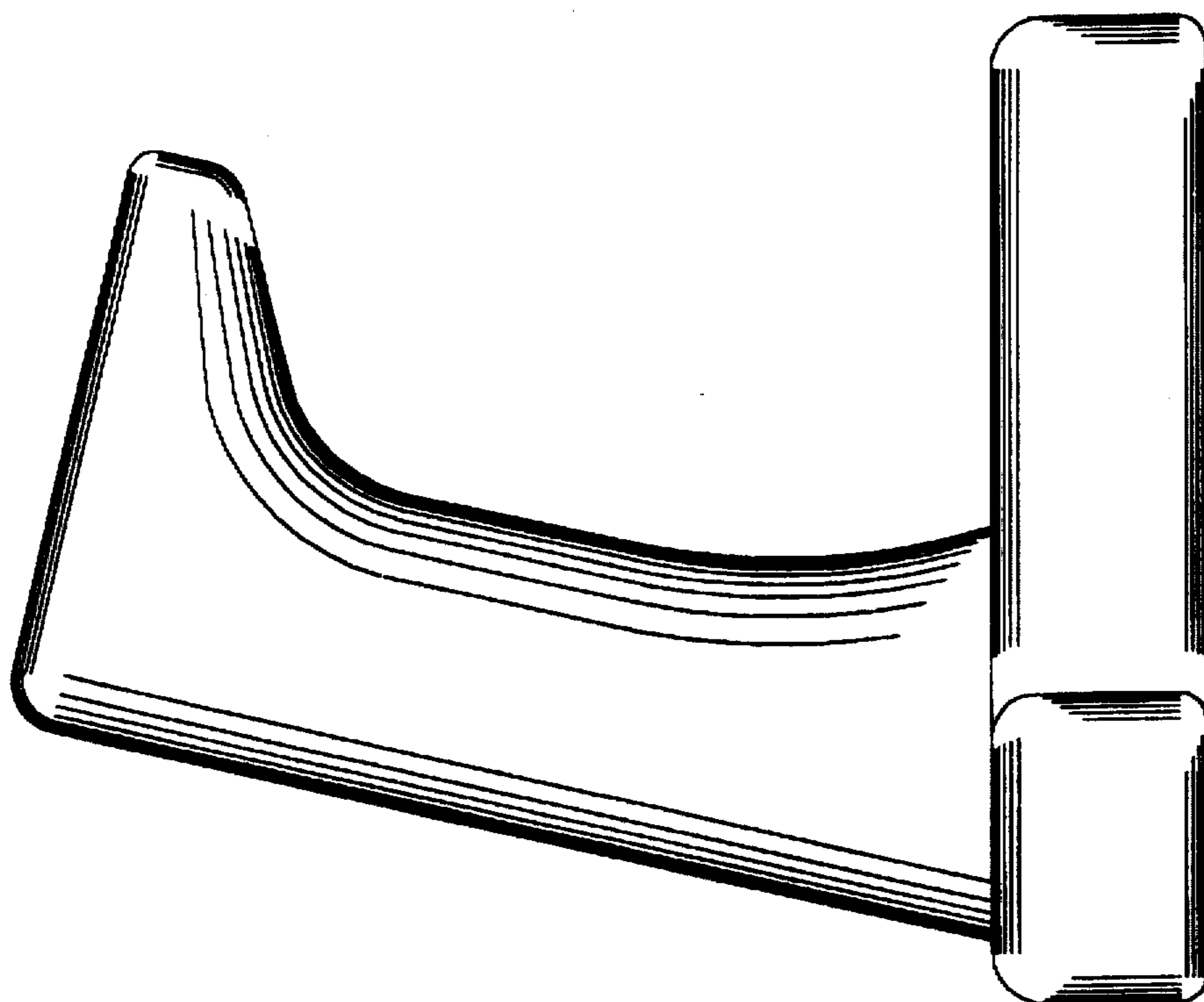


FIG. 6

