



US00D394972S

United States Patent [19]

Moore et al.

[11] Patent Number: **Des. 394,972**

[45] Date of Patent: ****Jun. 9, 1998**

[54] **POST FOR BATH ACCESSARY**

1,097,496 5/1914 Woodhead 248/231.91
1,769,326 7/1930 Weis 211/123

[75] Inventors: **Glenn David Moore**, Newfoundland;
Leszek Solowiej, Montville, both of
N.J.

OTHER PUBLICATIONS

Amerock Pub. p. 4 #A & B Towel Bar Accessory Post, Aug. 1995.

[73] Assignee: **Melard Manufacturing Corporation**,
Passaic, N.J.

Internal Solid Brass Cat. Towel Bar Post on top of page, Aug. 1987.

[**] Term: **14 Years**

Primary Examiner—Pamela J. Burgess
Attorney, Agent, or Firm—Edgar A. Zarins; Malcolm L. Sutherland

[21] Appl. No.: **68,343**

[22] Filed: **Apr. 4, 1997**

[57] CLAIM

[51] **LOC (6) Cl.** **08-08**

The ornamental design for a post for bath accessory, as shown and described.

[52] **U.S. Cl.** **D6/550**

[58] **Field of Search** D6/550, 546-549,
D6/524; 211/13.1, 86-87, 16, 44, 105.1,
123, 182, 183; 248/200, 231.91, 251, 222.1,
222.3; D8/321, 382, 308

DESCRIPTION

[56] References Cited

U.S. PATENT DOCUMENTS

D. 223,376	4/1972	Klie	D6/553
D. 299,099	12/1988	Gresens et al.	D6/524 X
D. 300,998	5/1989	Gresens et al.	D6/524
D. 317,692	6/1991	Wang	D6/524 X
D. 318,590	7/1991	McKeone	D6/553 X
D. 349,208	8/1994	Bollenbacher	D6/550

FIG. 1 is a left perspective view of a post for bath accessory showing my new design, the broken lines shown are for illustrative purposes only and form no part of the claimed design;

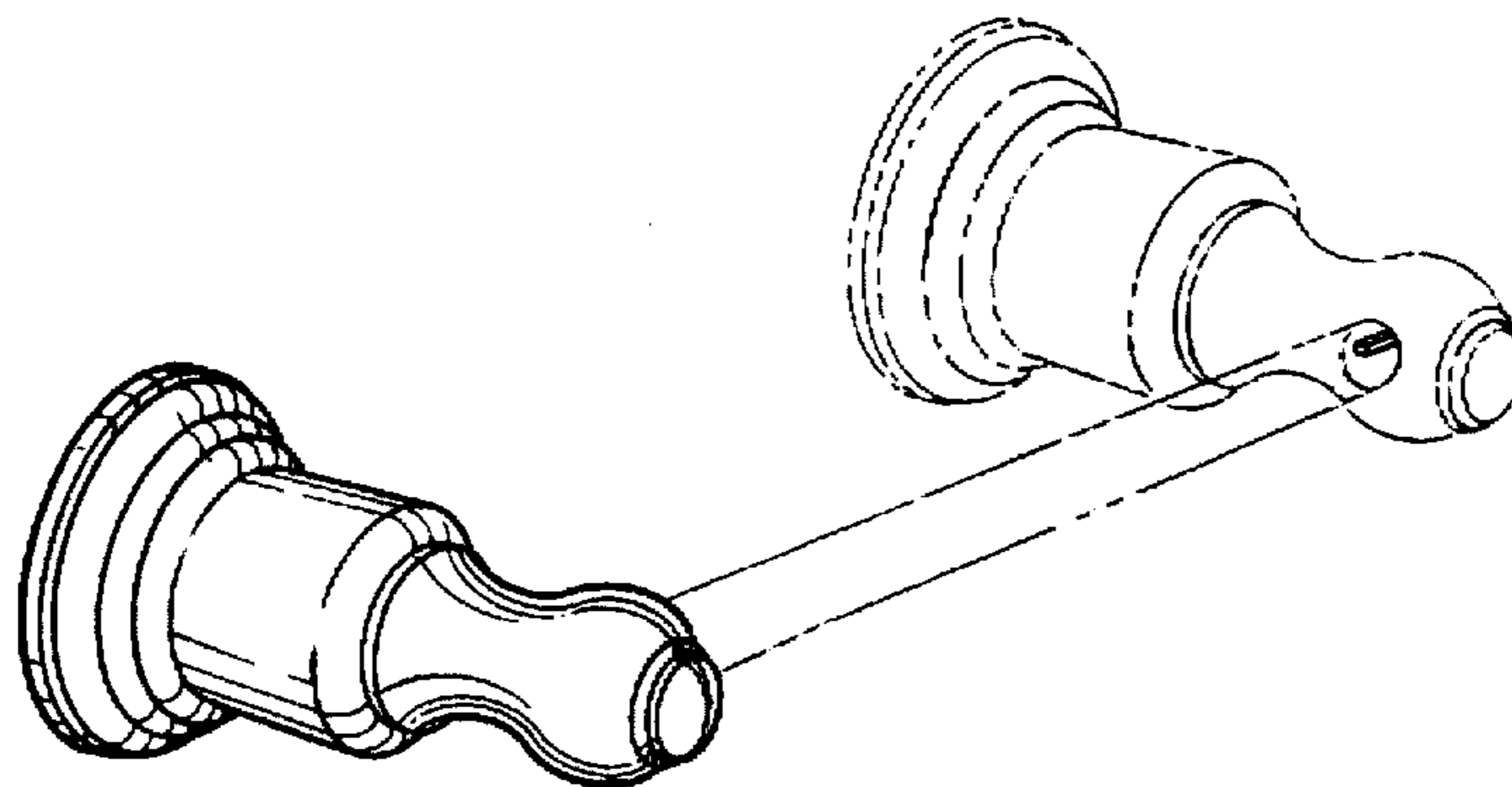
FIG. 2 is a top plan view thereof, the undisclosed bottom plan view being a mirror image;

FIG. 3 is a right side elevational view thereof;

FIG. 4 is a left side elevational view thereof; and,

FIG. 5 is a front elevational view thereof.

1 Claim, 2 Drawing Sheets



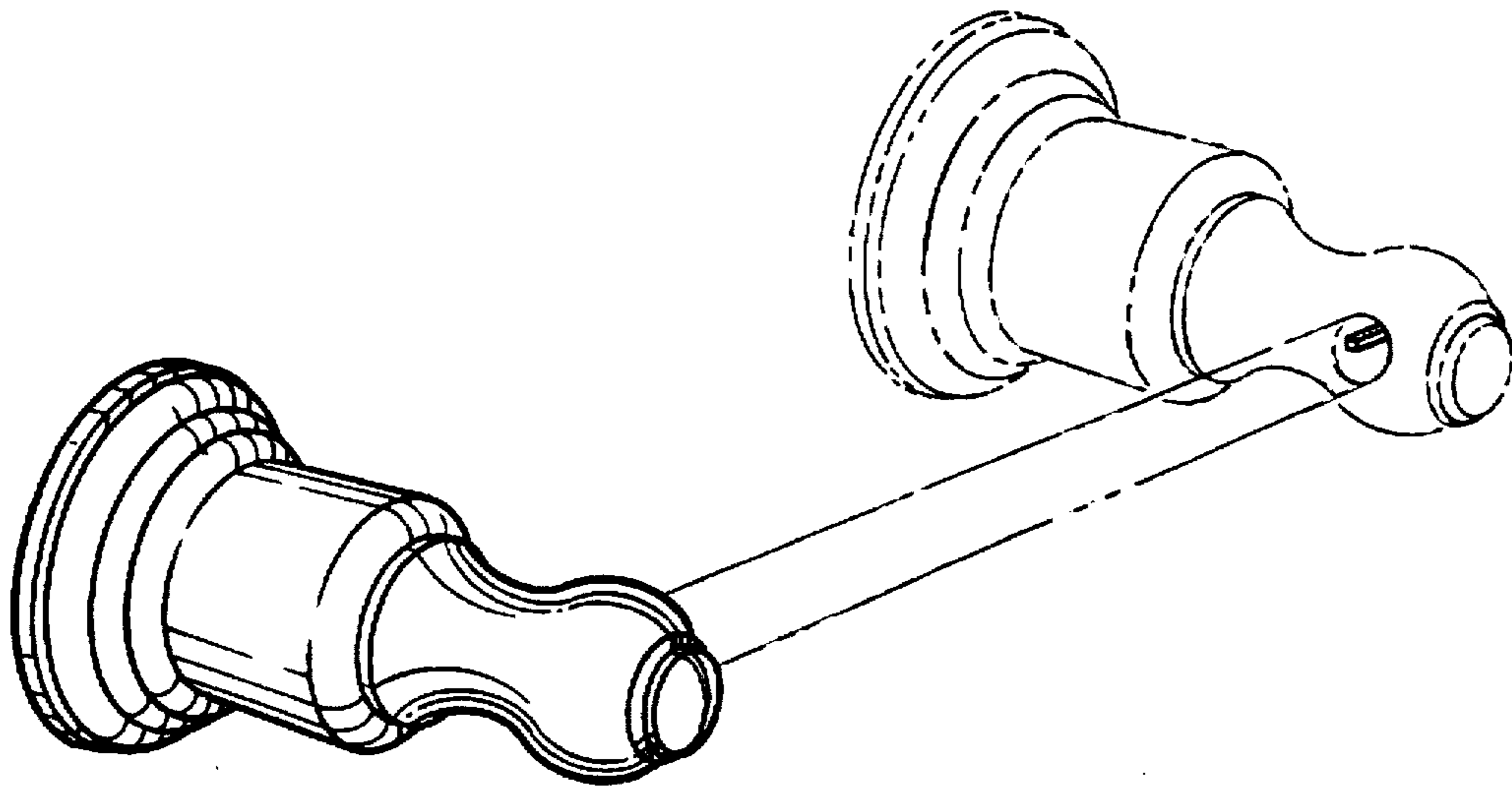


Fig-1

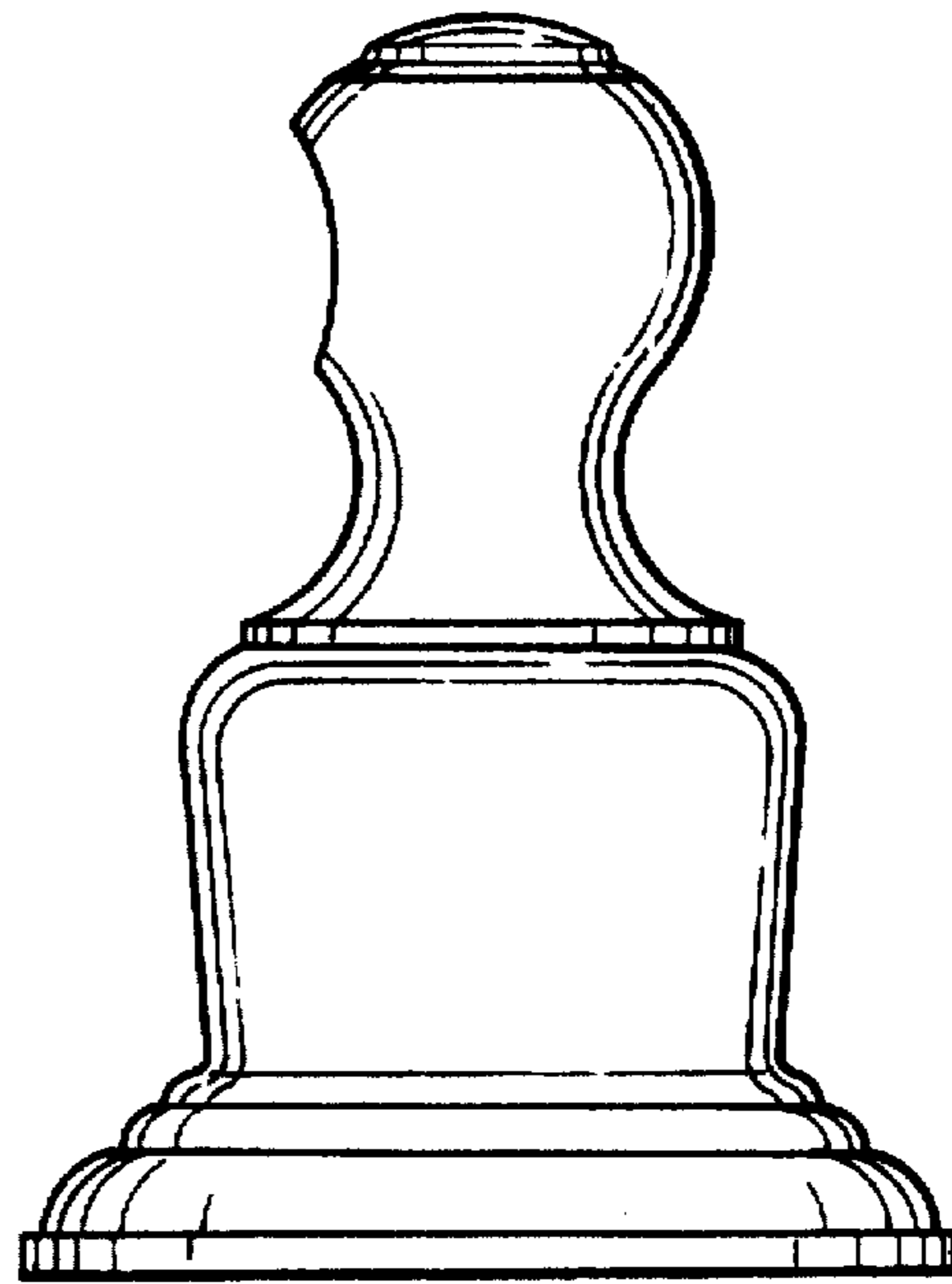


Fig-2

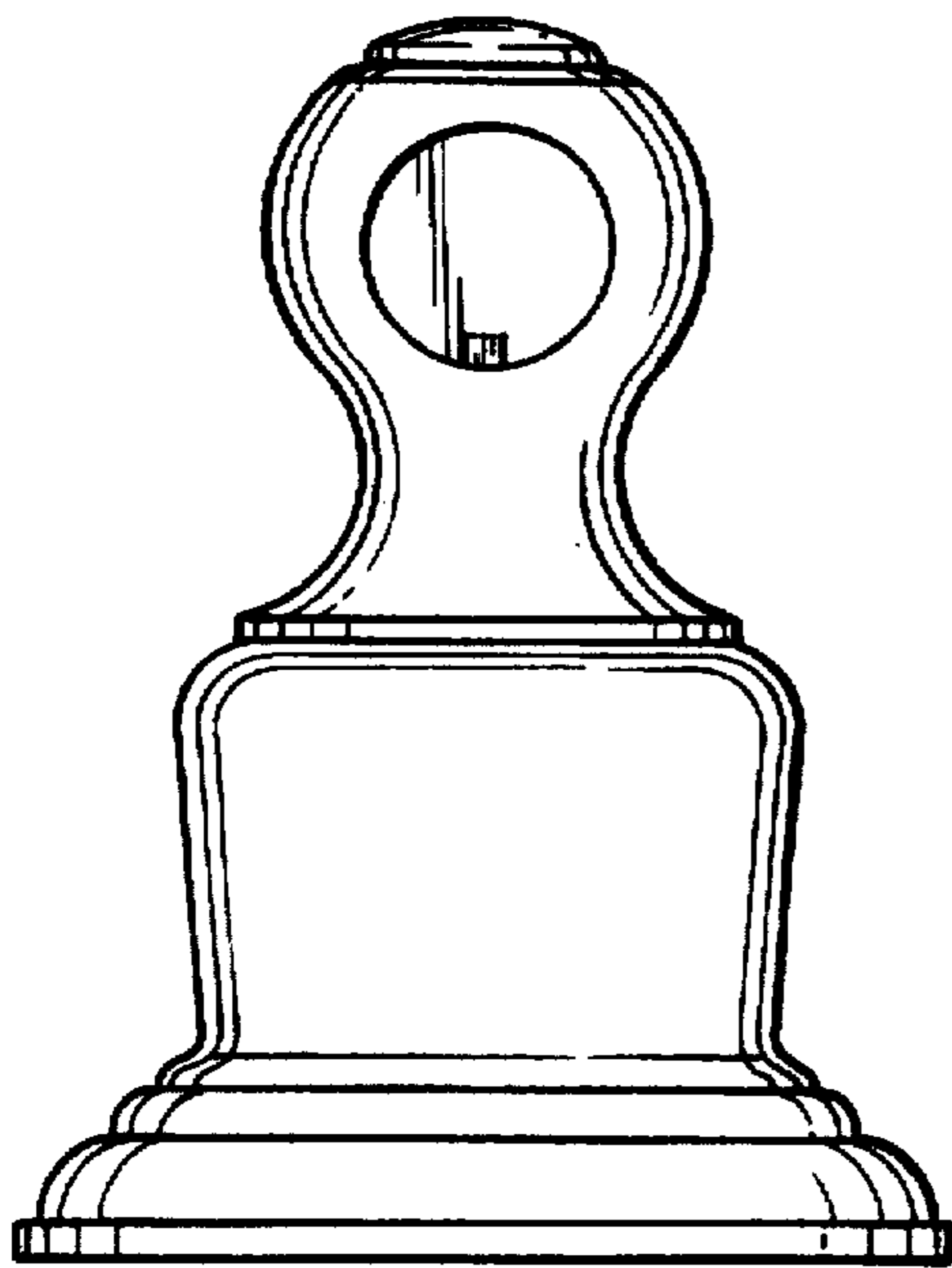


Fig-3

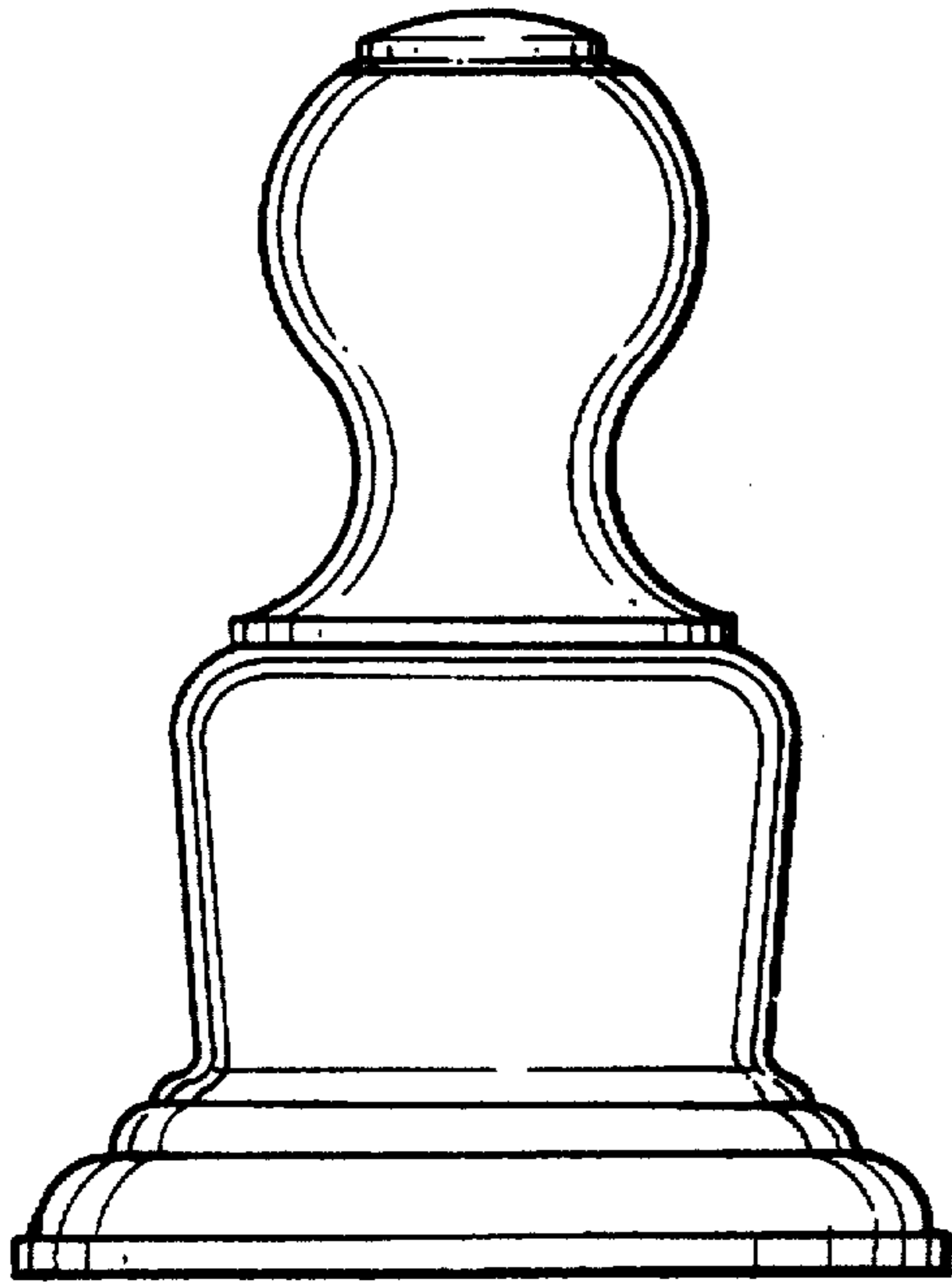


Fig-4

Fig-5

