



US00D394971S

United States Patent [19]
Moore

[11] **Patent Number: Des. 394,971**
[45] **Date of Patent: **Jun. 9, 1998**

[54] **POST FOR BATH ACCESSORY**
[75] **Inventor: Glenn David Moore, Newfoundland, N.J.**
[73] **Assignee: Melard Manufacturing Corporation, Passaic, N.J.**
[**] **Term: 14 Years**
[21] **Appl. No.: 68,341**
[22] **Filed: Apr. 4, 1997**
[51] **LOC (6) Cl. 08-08**
[52] **U.S. Cl. D6/550**
[58] **Field of Search D6/550, 546, 547, D6/548, 549, 524; 211/13.1, 86-87, 16, 44, 105.1, 123, 182, 183; 248/200, 231.91, 251, 222.1, 224.3; D8/321, 382, 308**

1,097,496 5/1914 Woodhead 248/231.91
1,550,485 8/1925 Balmer D6/550 X

OTHER PUBLICATIONS

Tanic Brochure #6018 Towel Bar, Aug. 1995.
Primary Examiner—Pamela J. Burgess
Attorney, Agent, or Firm—Edgar A. Zarins; Malcolm L. Sutherland

[57] **CLAIM**

The ornamental design for a post for bath accessory, as shown and described.

DESCRIPTION

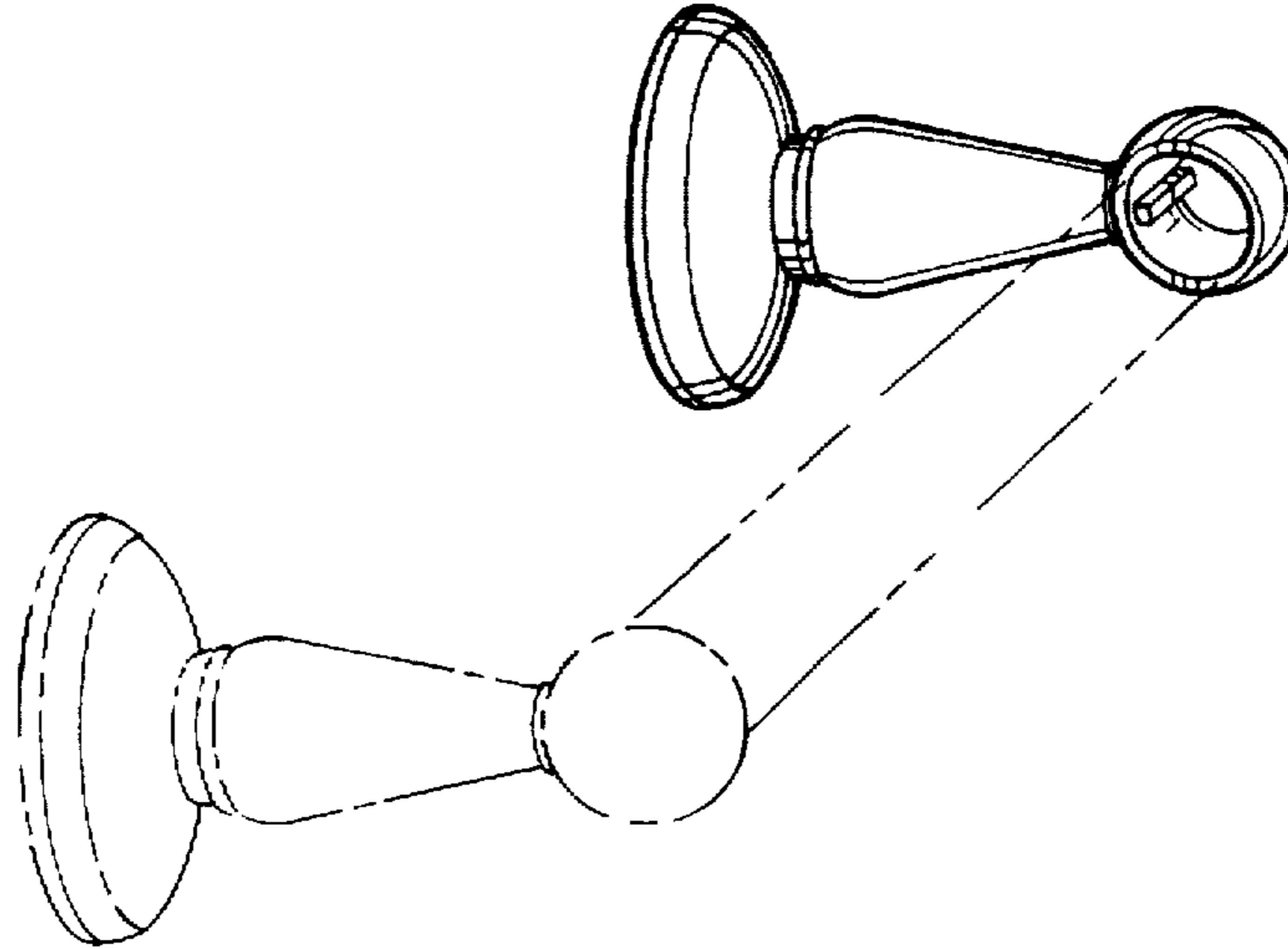
FIG. 1 is a left perspective view of a post for bath accessory showing my new design, the broken lines shown are for illustrative purposes only and form no part of the claimed design;
FIG. 2 is a bottom plan view thereof, the undisclosed top plan view being a mirror image;
FIG. 3 left side elevational view thereof;
FIG. 4 is a right side elevational view thereof; and
FIG. 5 is a front elevational view thereof; and
FIG. 6 is a front elevational view thereof.

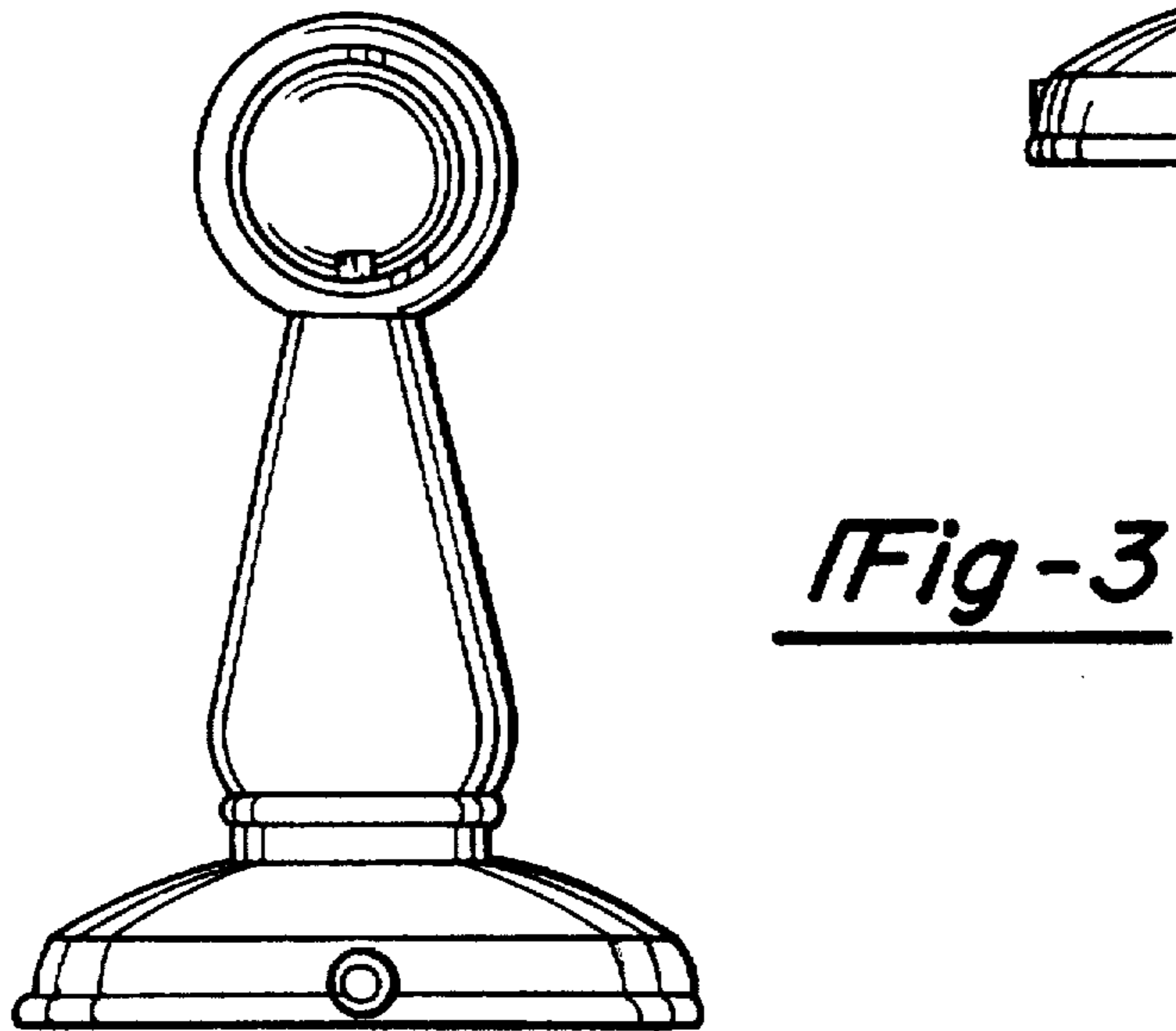
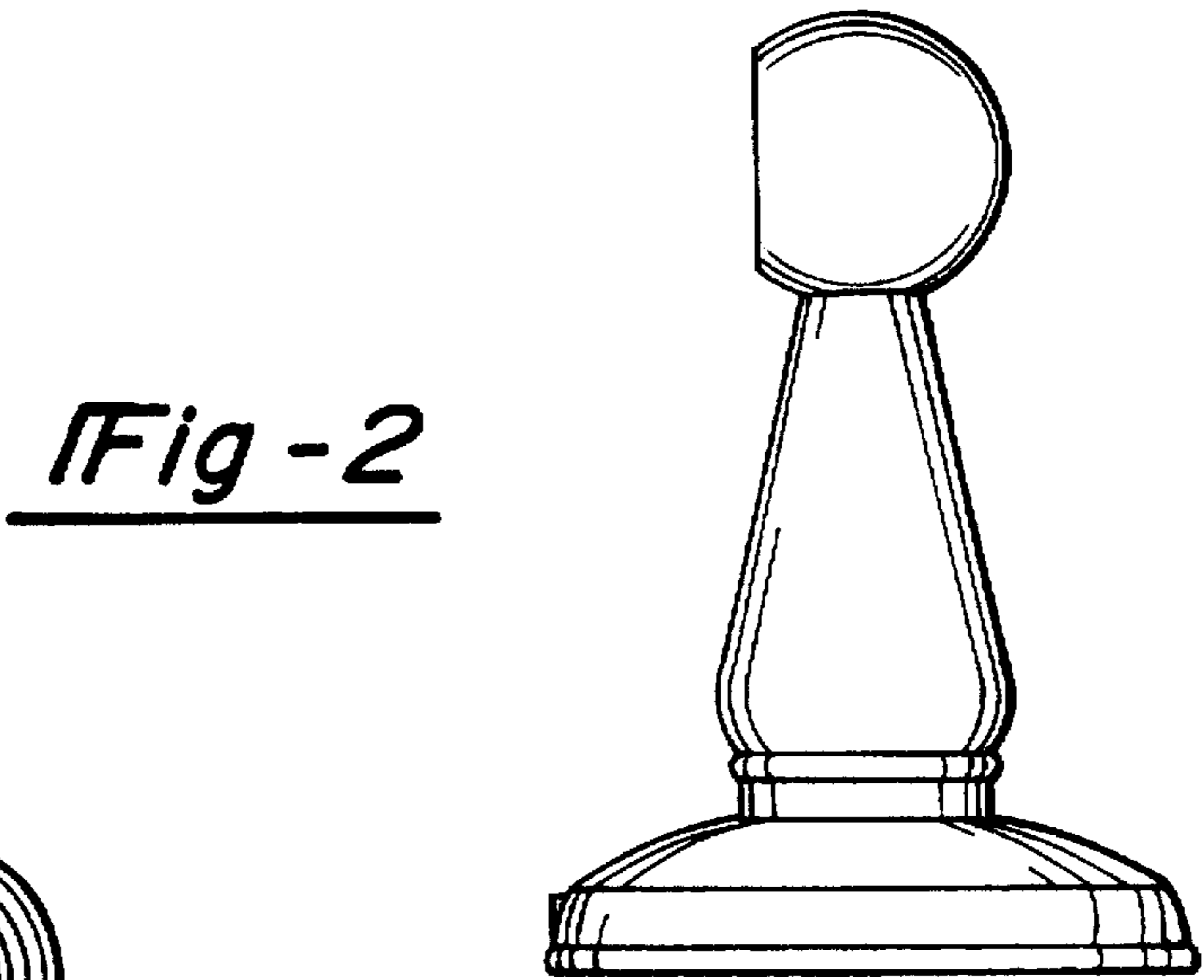
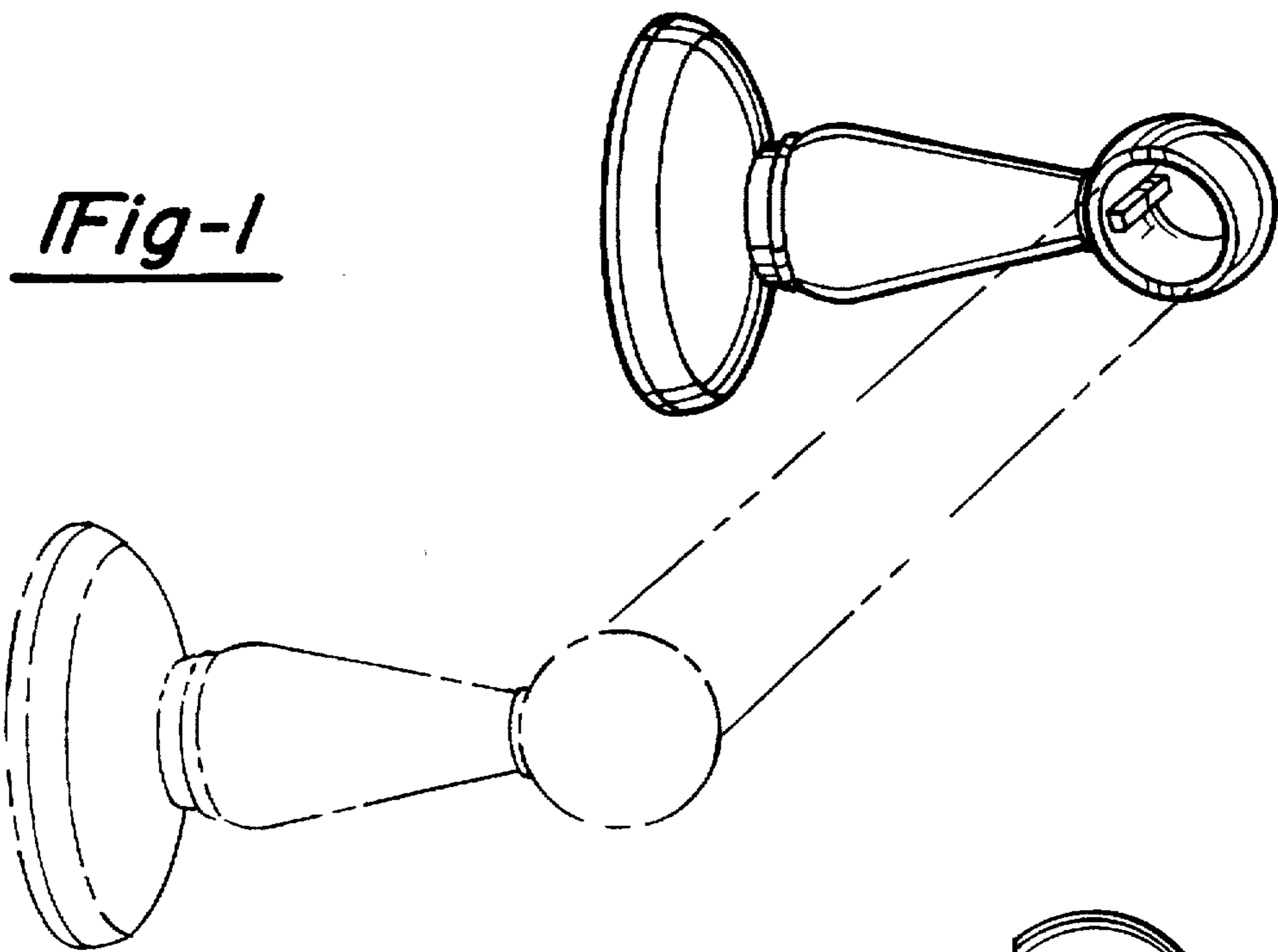
[56] **References Cited**

U.S. PATENT DOCUMENTS

D. 299,099 12/1988 Gresens et al. D6/524 X
D. 317,692 6/1991 Wang D6/524 X
D. 318,590 7/1991 McKeone D6/524
D. 337,230 7/1993 Wang D6/524 X

1 Claim, 2 Drawing Sheets





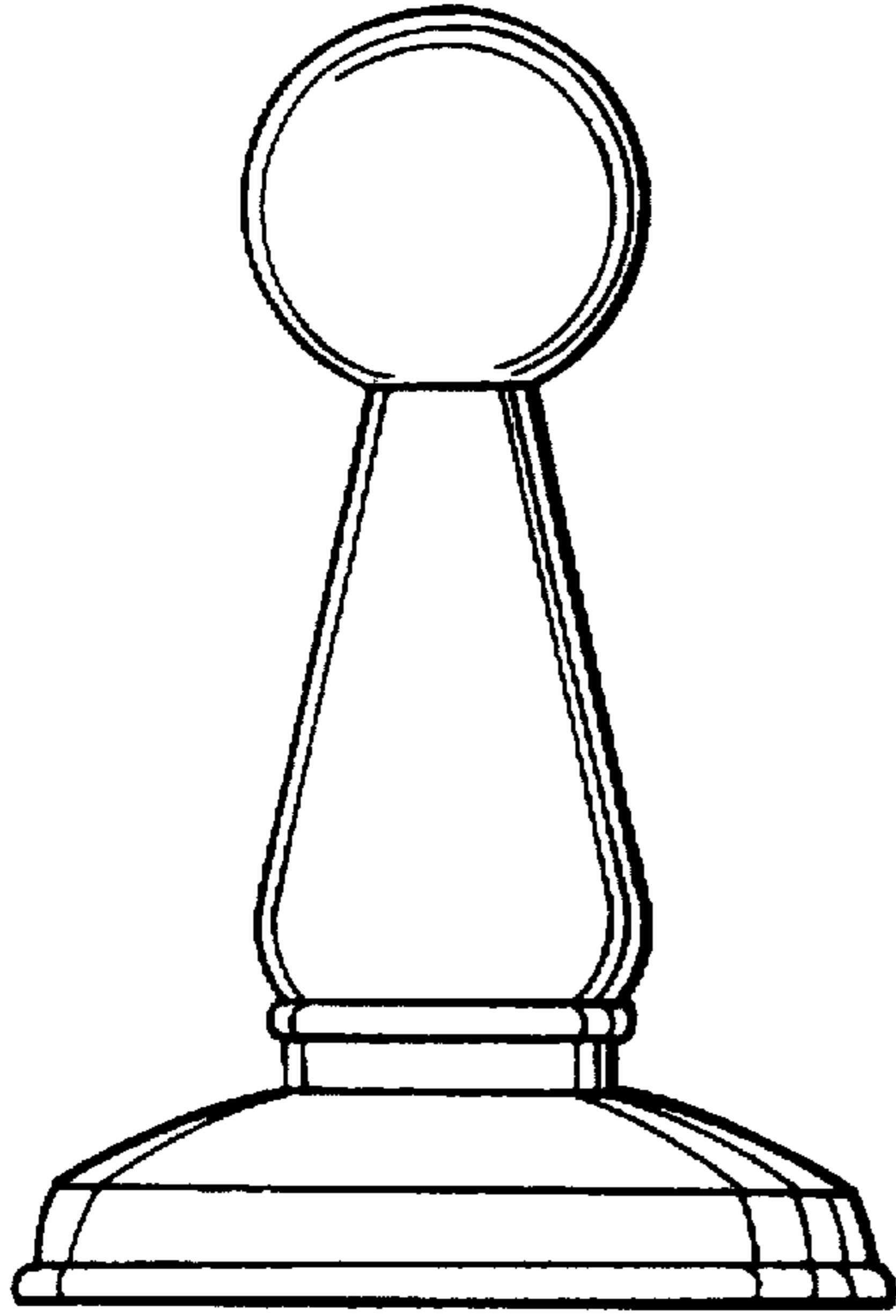


Fig-4

Fig-5

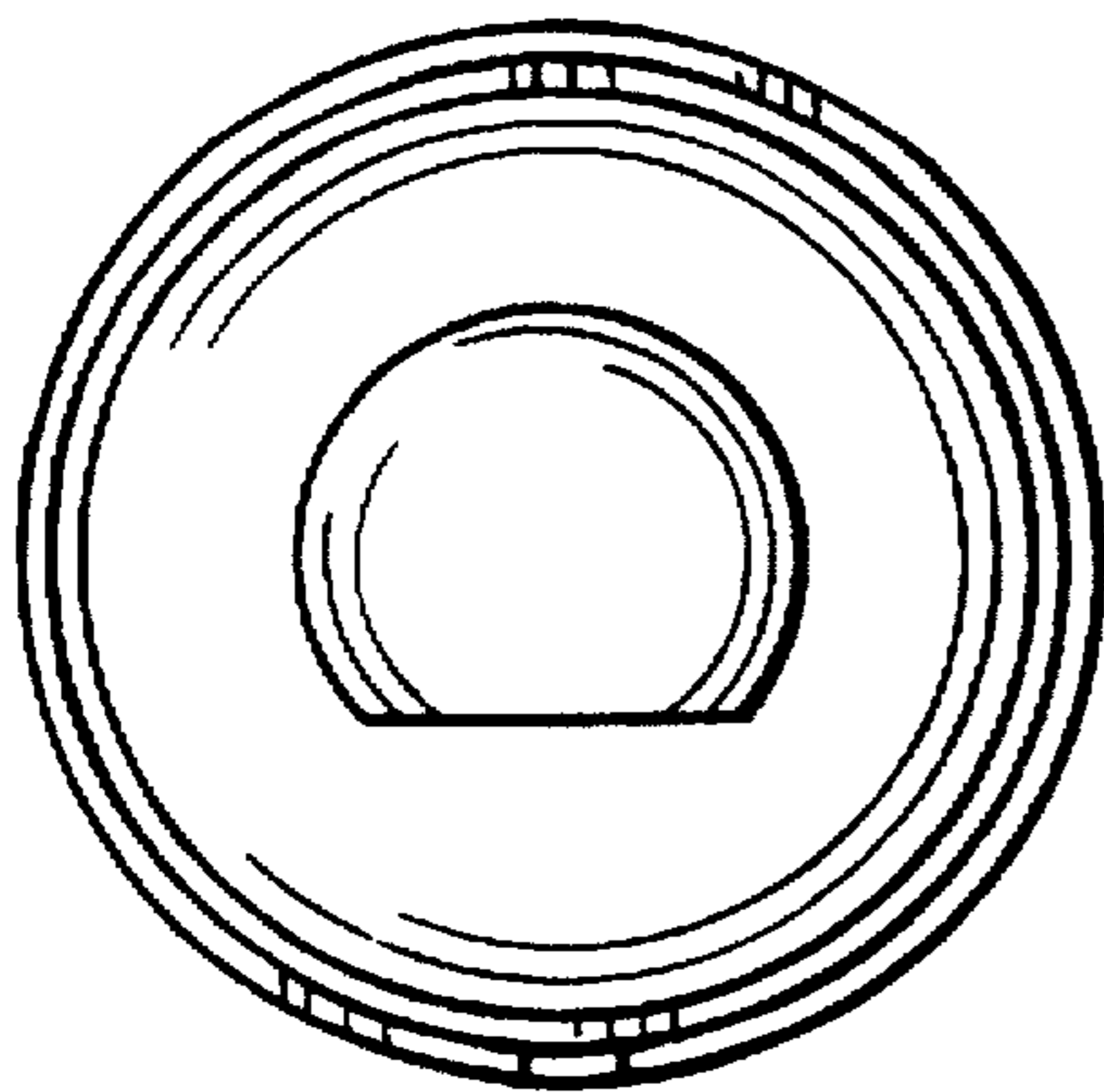
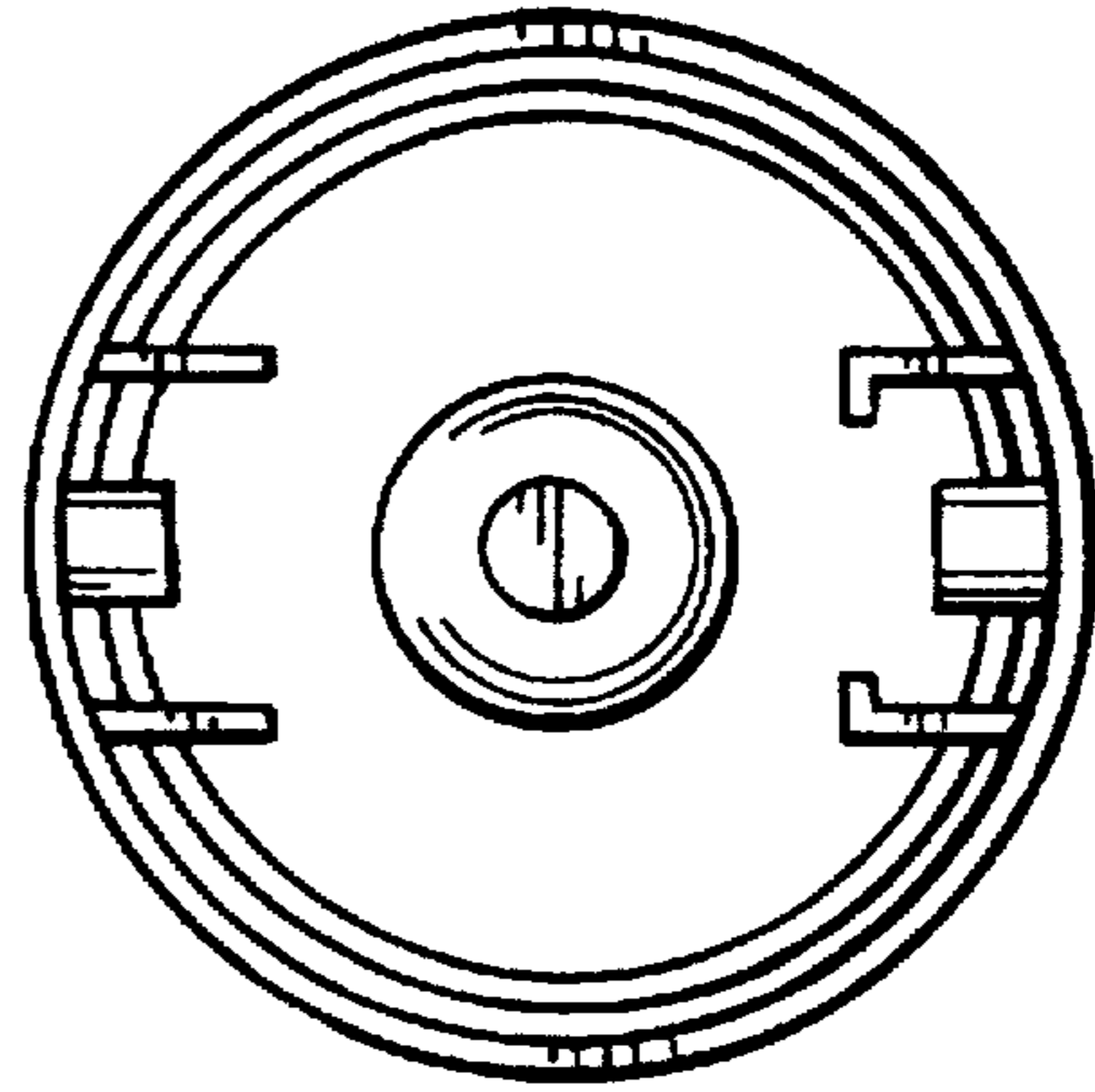


Fig-6