



US00D394968S

**United States Patent** [19]  
**Gottwald**

[11] **Patent Number:** **Des. 394,968**  
[45] **Date of Patent:** **\*\*Jun. 9, 1998**

[54] **SOAP DISH**

[75] **Inventor:** **Adolf Gottwald, Iserlohn, Germany**

[73] **Assignee:** **Friedrich Grohe AG, Hemer, Germany**

[\*\*] **Term:** **14 Years**

[21] **Appl. No.:** **72,276**

[22] **Filed:** **Jun. 13, 1997**

[30] **Foreign Application Priority Data**

Jan. 29, 1997 [DE] Germany ..... M 97 00 838.9

[51] **LOC (6) Cl.** ..... **23-02**

[52] **U.S. Cl.** ..... **D6/540**

[58] **Field of Search** ..... D6/536-540, 524,  
D6/529; 206/77.1, 176, 309.1, 346.1; 211/13,  
14; 312/381

[56] **References Cited**

**U.S. PATENT DOCUMENTS**

D. 278,491 4/1985 Thompson ..... D6/536

D. 278,587 4/1985 Thompson ..... D6/536 X  
D. 337,682 7/1993 Crook et al. .... D6/536  
D. 363,182 10/1995 Mills ..... D6/536  
1,479,361 1/1924 Blevens ..... 206/77.1

*Primary Examiner*—Pamela J. Burgess  
*Attorney, Agent, or Firm*—Herbert Dubno

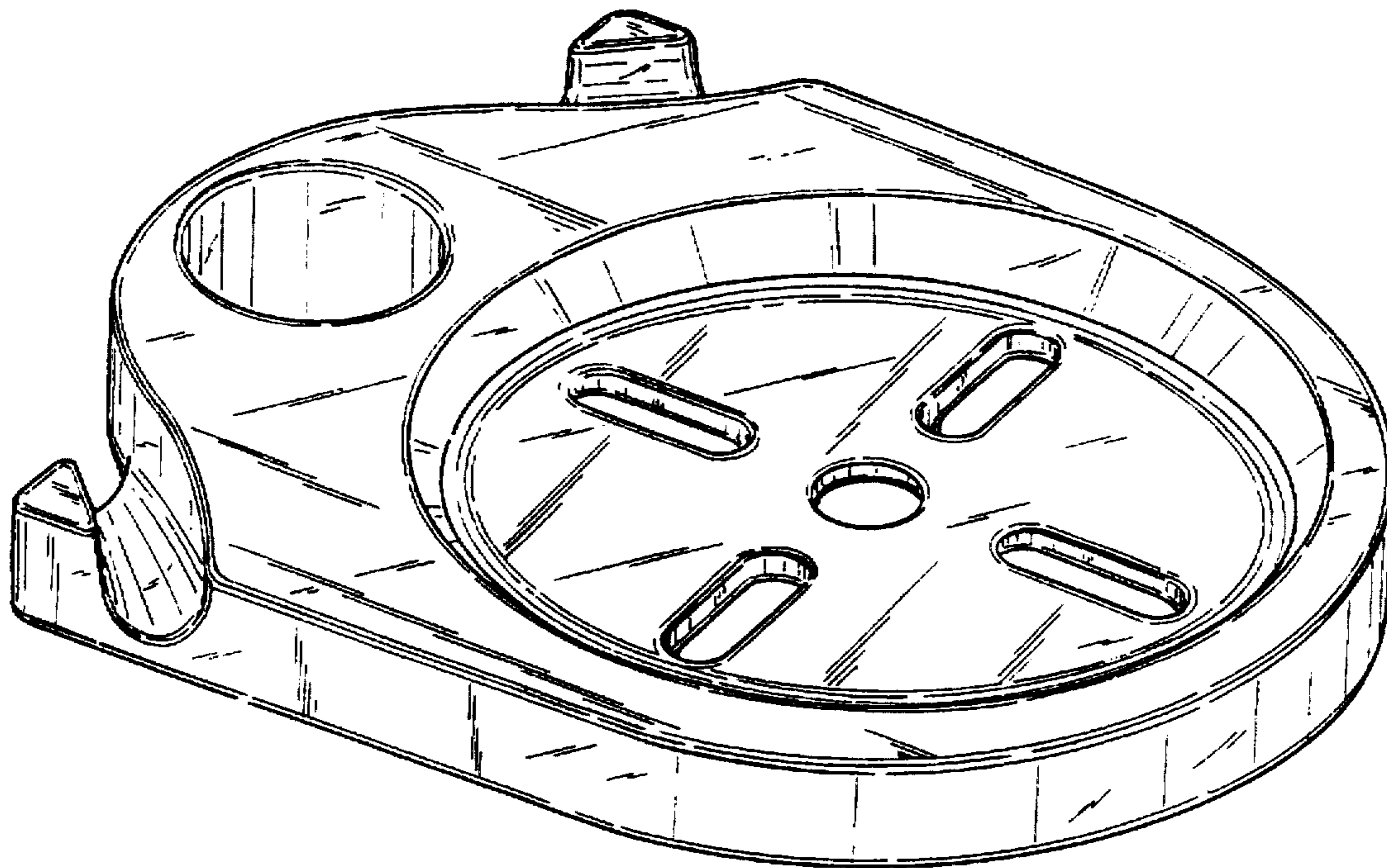
[57] **CLAIM**

The ornamental design for a soap dish, as shown and described.

**DESCRIPTION**

FIG. 1 is a top, front, left-side perspective view of a soap dish showing my new design;  
FIG. 2 is a bottom view thereof;  
FIG. 3 is a rear view thereof;  
FIG. 4 is a top view thereof;  
FIG. 5 is a front view thereof; and,  
FIG. 6 is a right side elevational view thereof, the undisclosed left side being a mirror image.

**1 Claim, 3 Drawing Sheets**



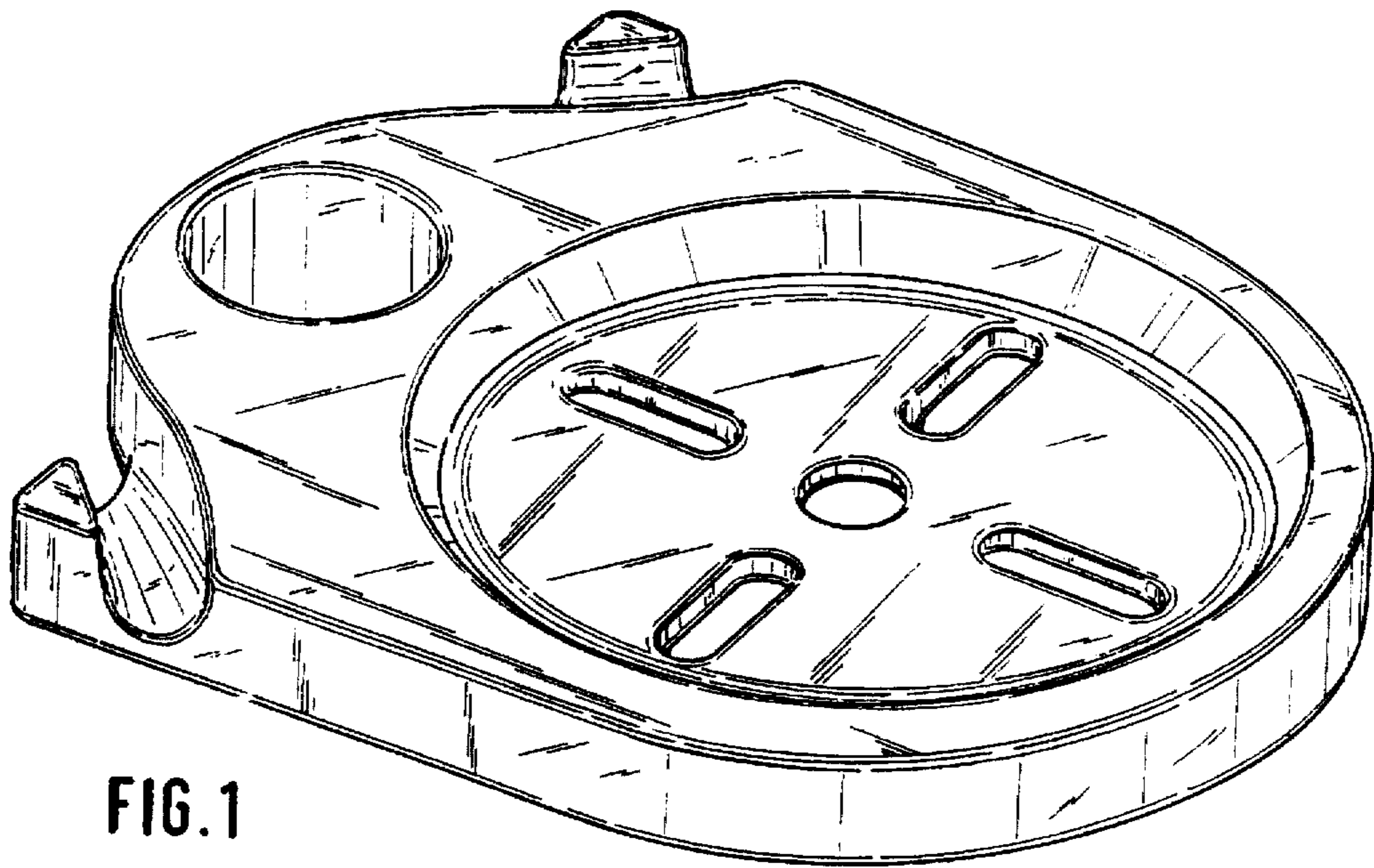


FIG. 1

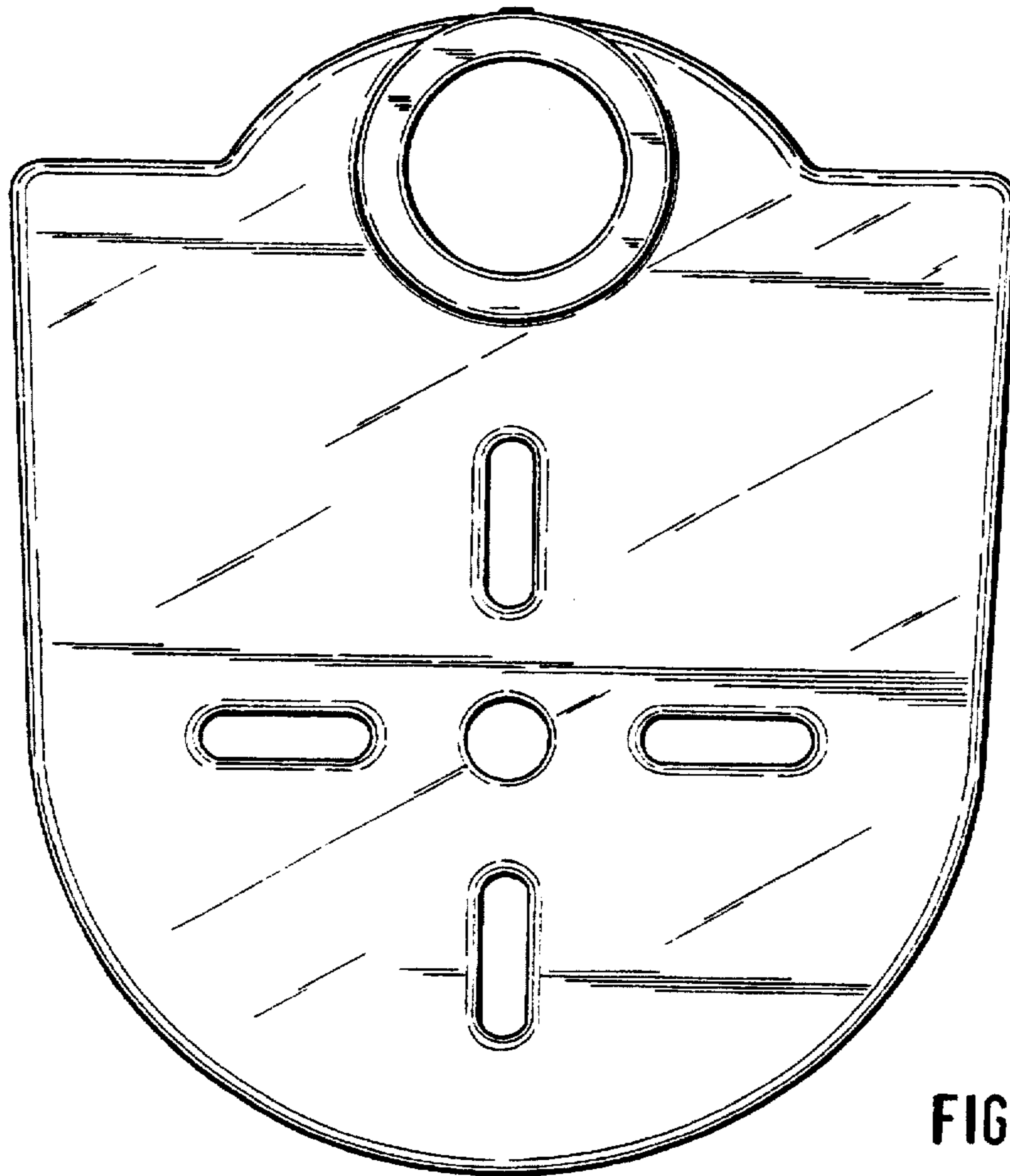


FIG. 2

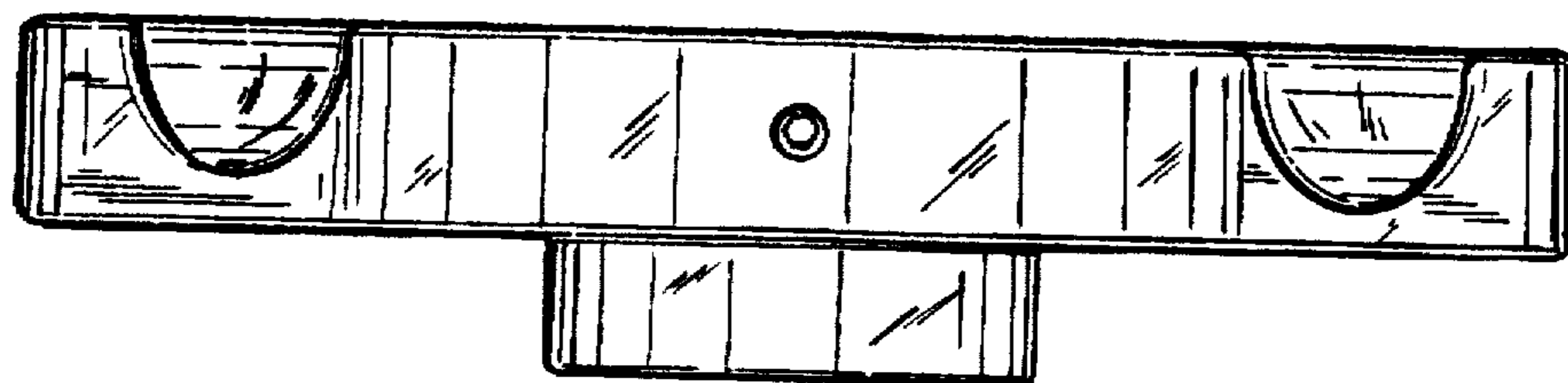


FIG.3

FIG. 4

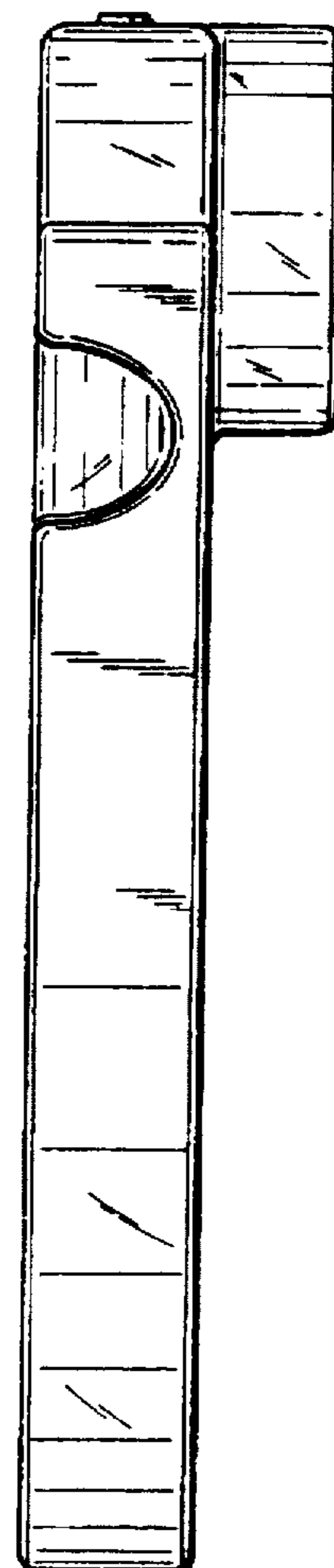
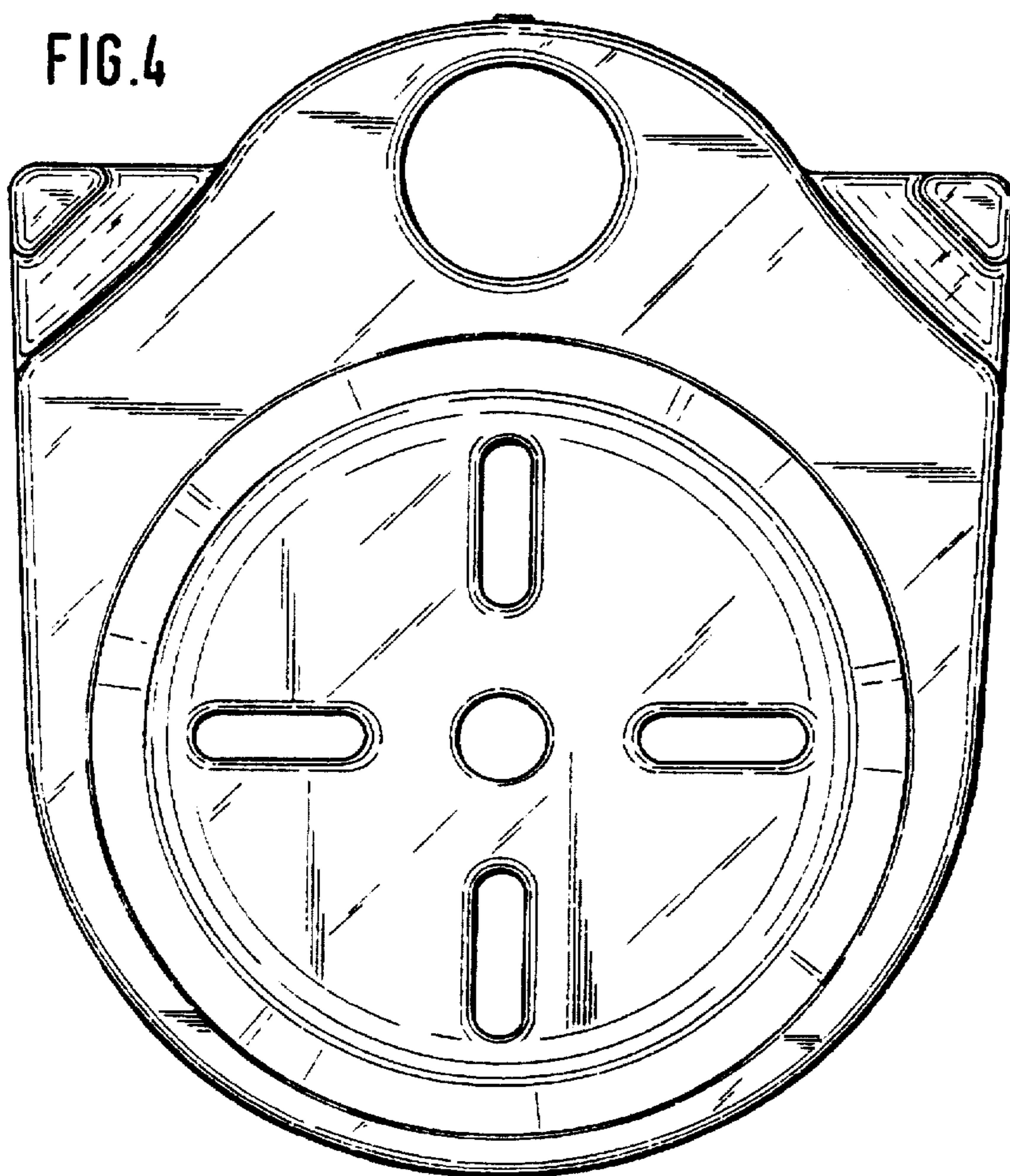


FIG. 6

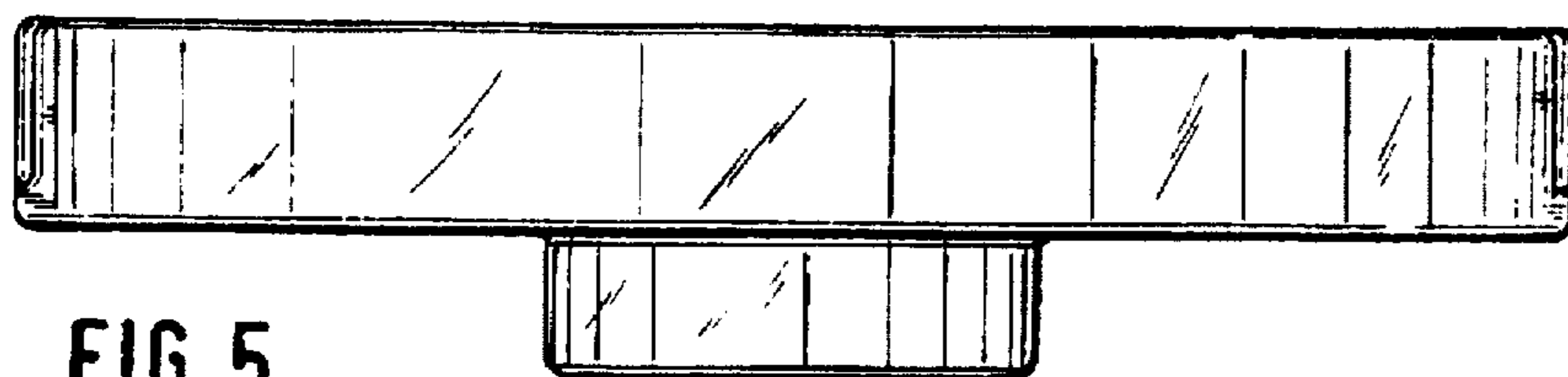


FIG. 5