



US00D394967S

United States Patent [19]

Alexander

[11] Patent Number: **Des. 394,967**

[45] Date of Patent: ****Jun. 9, 1998**

[54] **BATHROOM TISSUE STORAGE UNIT**

2,991,951 7/1961 Carroll 242/560.2
5,570,938 11/1996 Butler 211/87.01

[76] Inventor: **Brookin B. Alexander**, 12070
Hutchinson Fy. Rd., Palmetto, Ga.
30268

Primary Examiner—Pamela J. Burgess
Attorney, Agent, or Firm—Shlesinger, Arkwright & Garvey
LLP

[**] Term: **14 Years**

[57] CLAIM

[21] Appl. No.: **71,796**

The ornamental design for a bathroom tissue storage unit, as shown and described.

[22] Filed: **Jun. 9, 1997**

DESCRIPTION

[51] LOC (6) Cl. **23-02**

[52] U.S. Cl. **D6/520; D6/515**

[58] **Field of Search** D6/520, 518, 521,
D6/522, 523; D3/201, 202, 254, 901; 206/139,
427, 389, 391, 394; 242/423.1, 560, 594.3,
560.2, 422.4

FIG. 1 is a rear perspective view of a bathroom tissue storage unit, showing my new design;
FIG. 2 is a rear elevational view thereof;
FIG. 3 is a bottom plan view thereof;
FIG. 4 is a front elevational view thereof;
FIG. 5 is a side elevational view thereof; and,
FIG. 6 is a top plan view thereof.

[56] References Cited

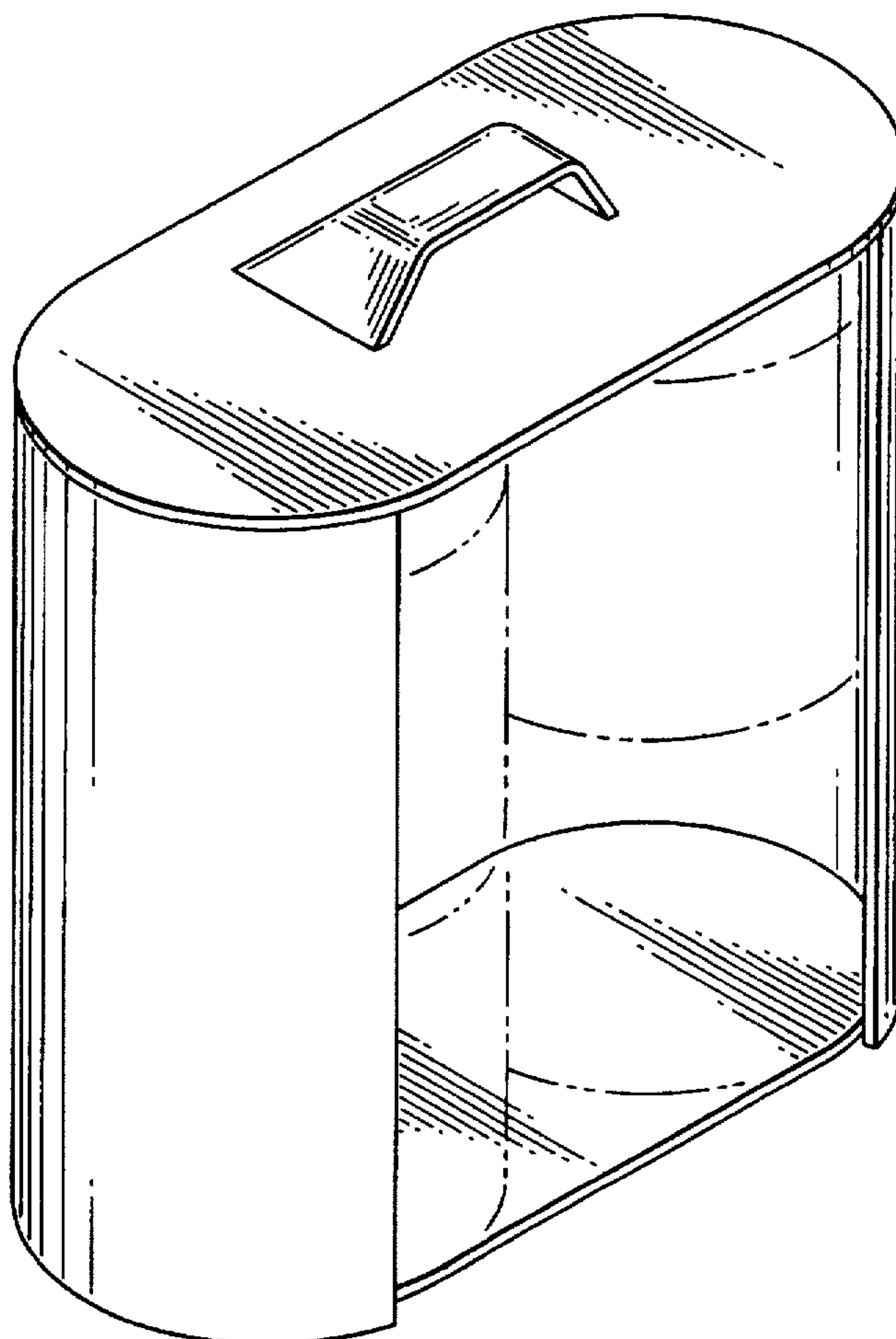
U.S. PATENT DOCUMENTS

D. 312,179 11/1990 DeLuca et al. D6/518
D. 336,311 6/1993 Tam D6/518 X
D. 339,490 9/1993 Addison et al. D6/518
D. 361,005 8/1995 Traver D6/520
D. 363,628 10/1995 McCanless D6/518 X
2,553,389 5/1951 Steiner et al. 242/422.4

The side opposite the side illustrated in FIG. 5 of the drawings is a mirror image thereof.

The broken-line disclosure of bathroom tissue in FIG. 1 is for illustrative purposes only, and forms no part of the present design.

1 Claim, 3 Drawing Sheets



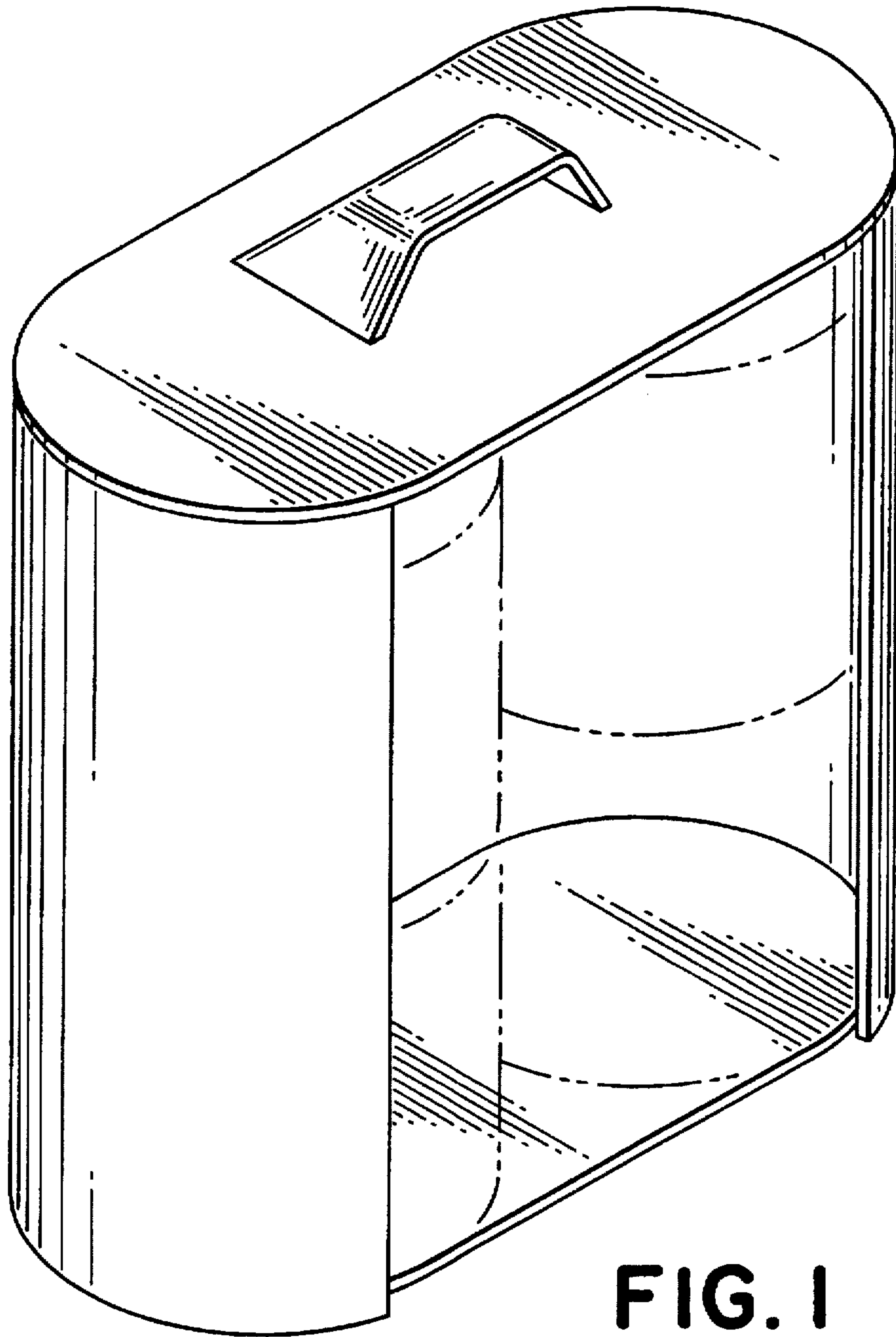


FIG. 1

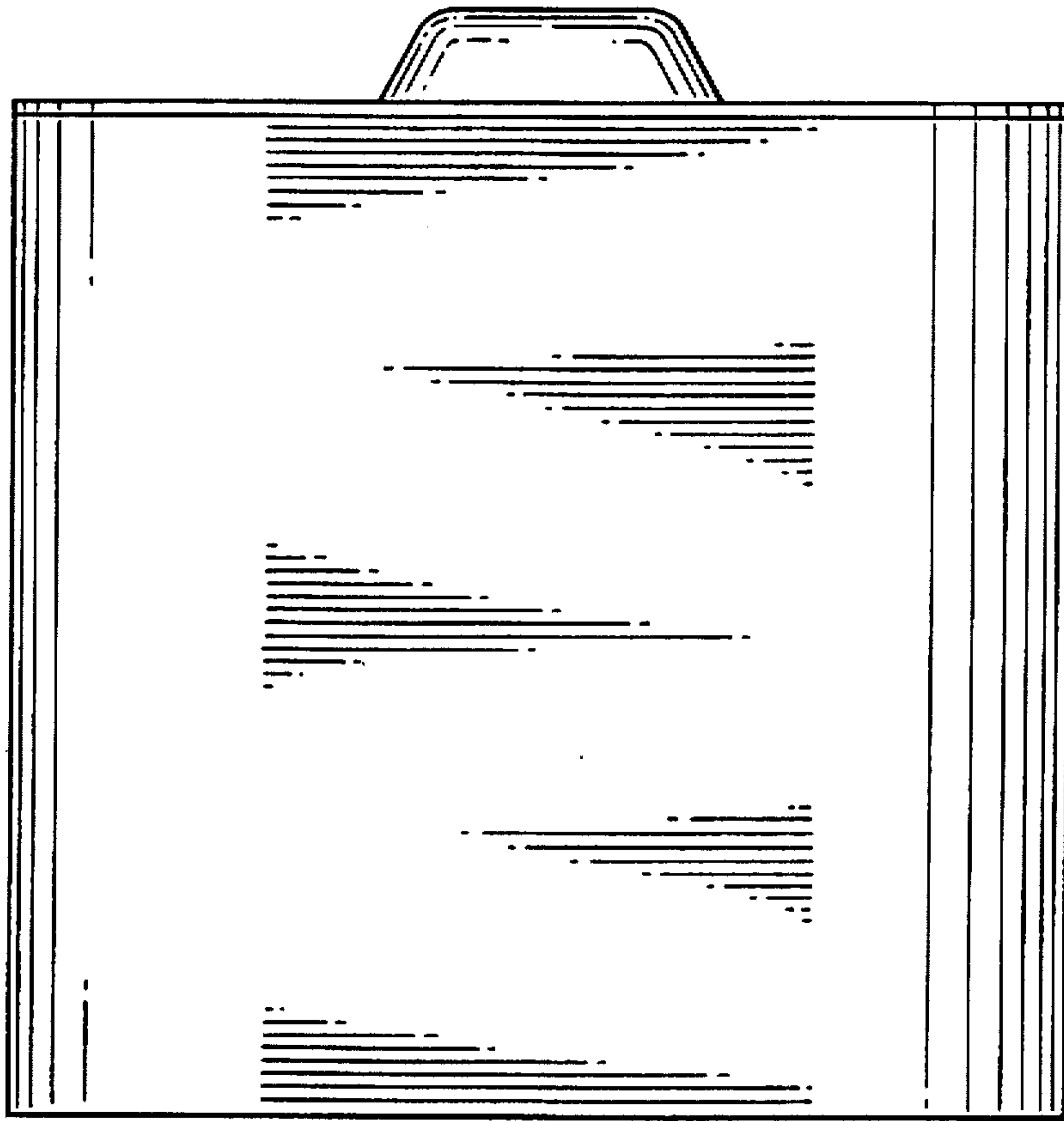


FIG. 2

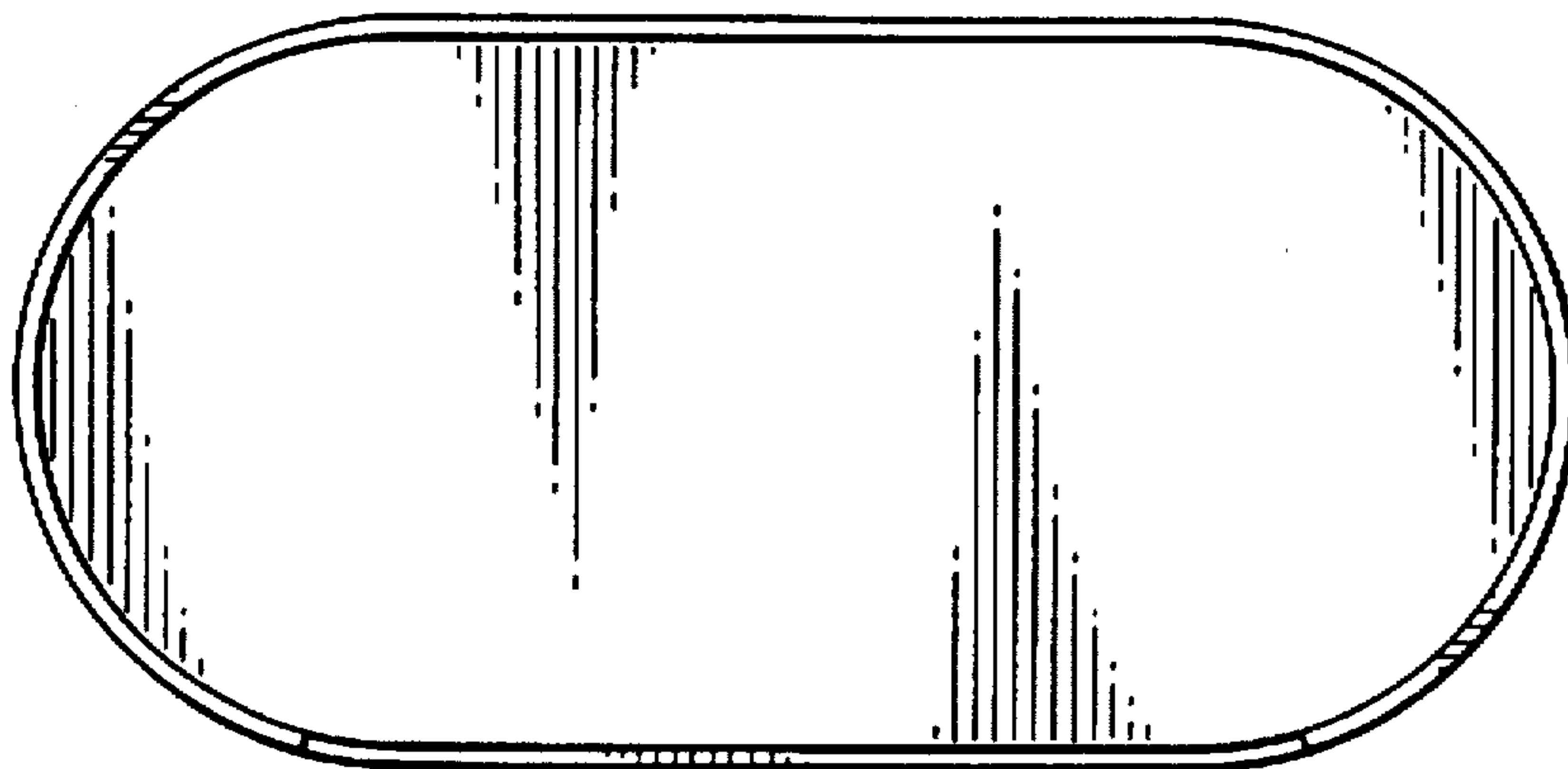


FIG. 3

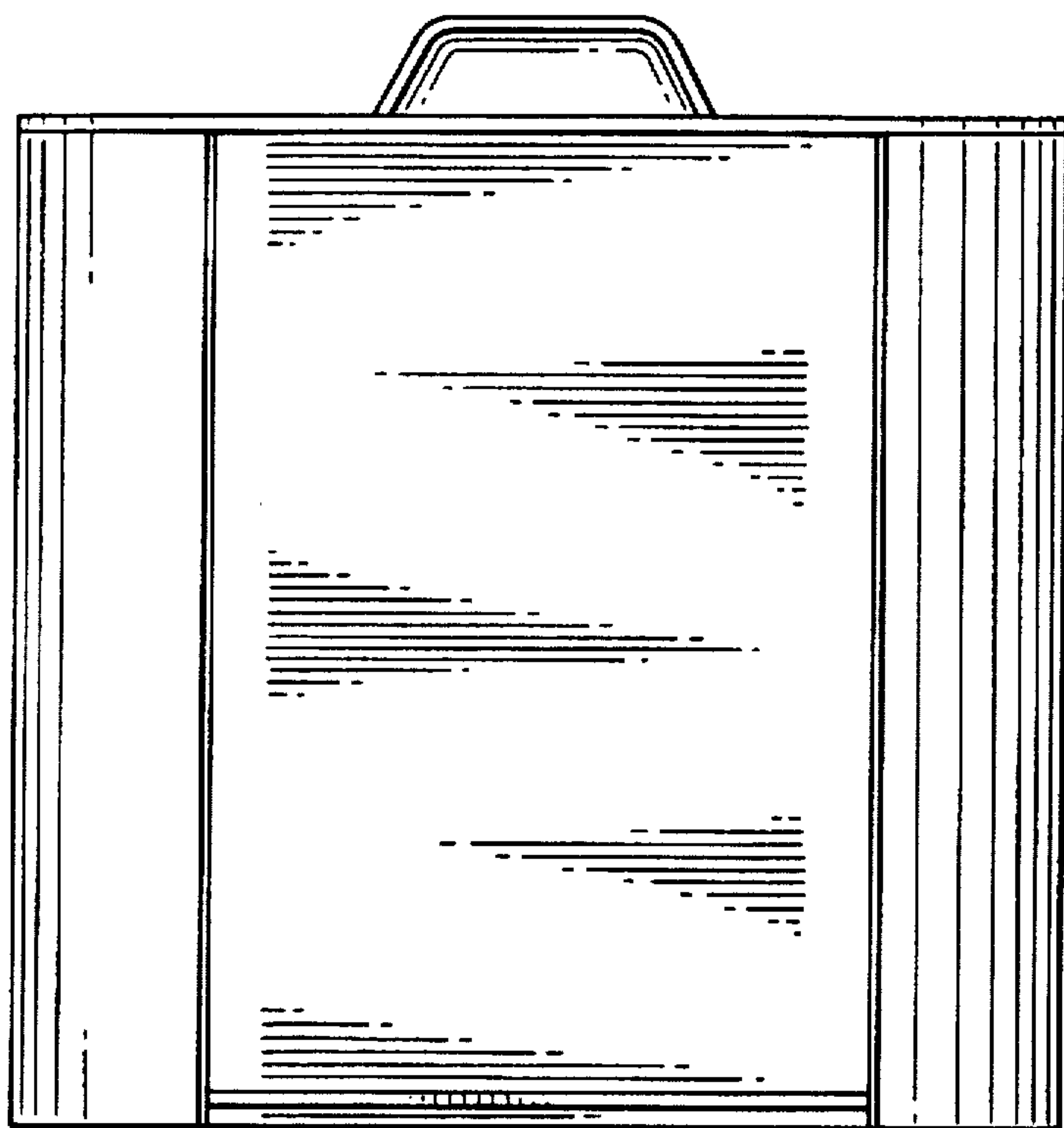


FIG. 4

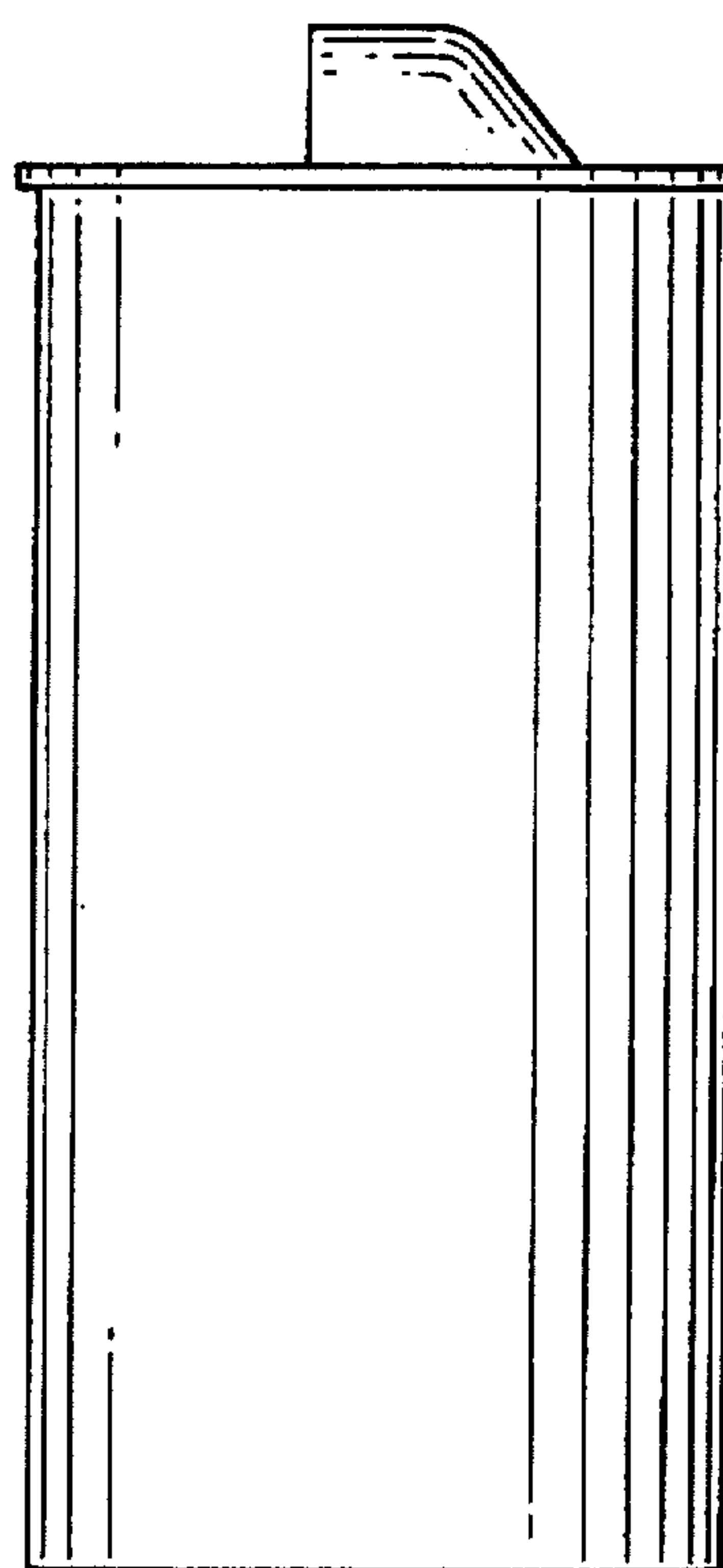


FIG. 5

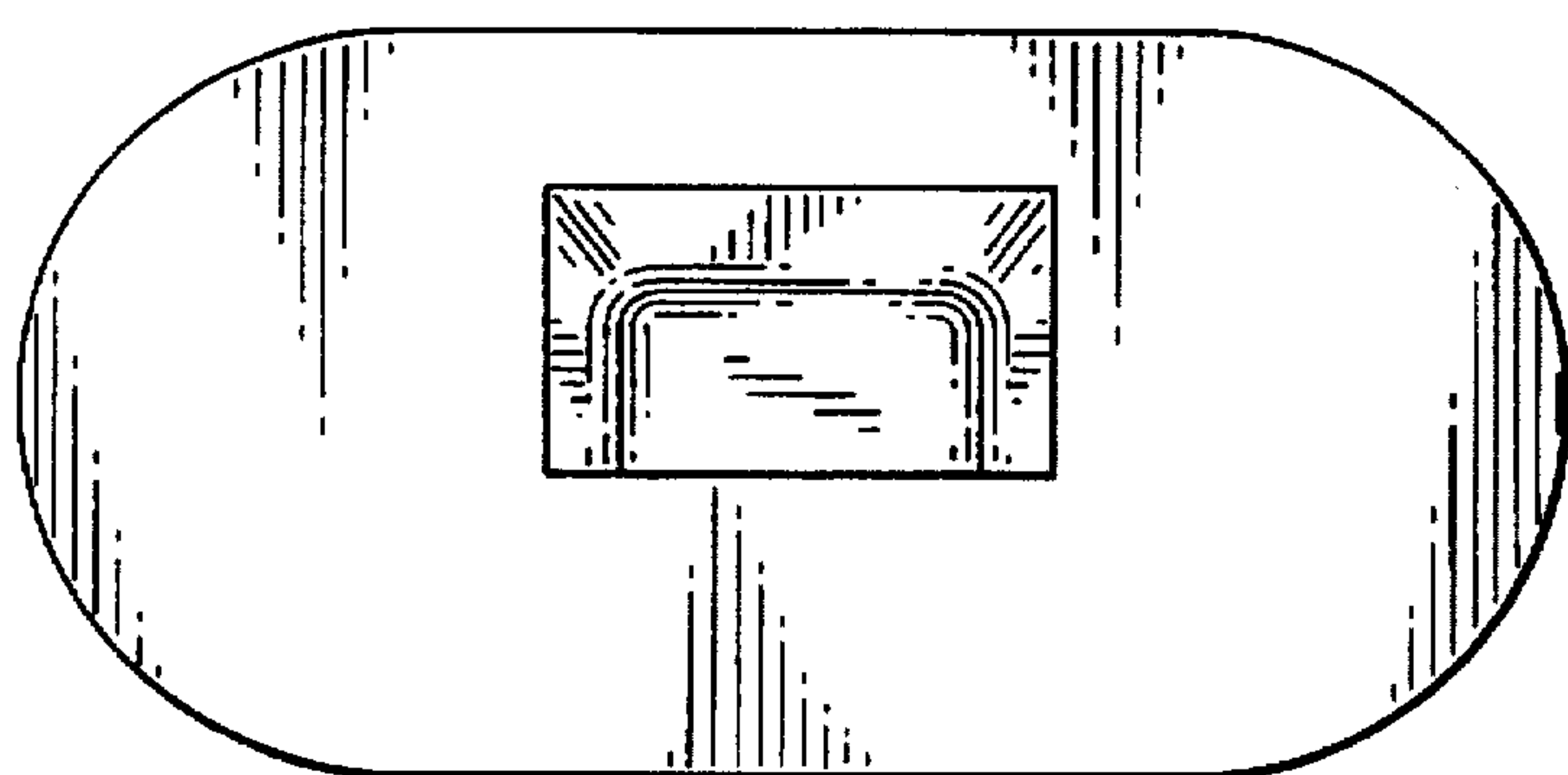


FIG. 6