



US00D394965S

United States Patent [19] Fang

[11] Patent Number: **Des. 394,965**
[45] Date of Patent: ****Jun. 9, 1998**

[54] **COMPUTER DESK**

[75] Inventor: **Ch-Hung Fang, Ping-Tung Hsien,**
Taiwan

[73] Assignee: **Asia Mecody Co. Ltd., Kaohsiung,**
Taiwan

[**] Term: **14 Years**

[21] Appl. No.: **65,173**

[22] Filed: **Jan. 22, 1997**

[30] **Foreign Application Priority Data**

Jul. 25, 1996 [TW] Taiwan 85306166

[51] LOC (6) Cl. **06-04**

[52] U.S. Cl. **D6/474; D6/425; D6/426**

[58] Field of Search D6/474, 478, 479,
D6/509-511, 422, 425-431, 484; 108/59,
60, 86, 91-93, 102, 106, 143, 145, 147,
177; 312/223.3; D34/20, 21; D14/114;
280/47, 35, 79.3

[56] **References Cited**

U.S. PATENT DOCUMENTS

D. 283,094 3/1986 Strand et al. D6/478
D. 288,750 3/1987 Friedman D6/429

D. 302,890 8/1989 Ng et al. D6/422 X
D. 315,261 3/1991 Ng et al. D6/426
D. 323,436 1/1992 Harrison D6/429
D. 324,143 2/1992 Hammond D6/474
D. 343,305 1/1994 Ng et al. D6/430
D. 371,255 7/1996 Richard D6/426
D. 381,835 8/1997 Corpuz, Jr. et al. D6/426

Primary Examiner—James Gandy
Assistant Examiner—Linda Brooks
Attorney, Agent, or Firm—Merchant, Gould, Smith, Edell,
Welter & Schmidt

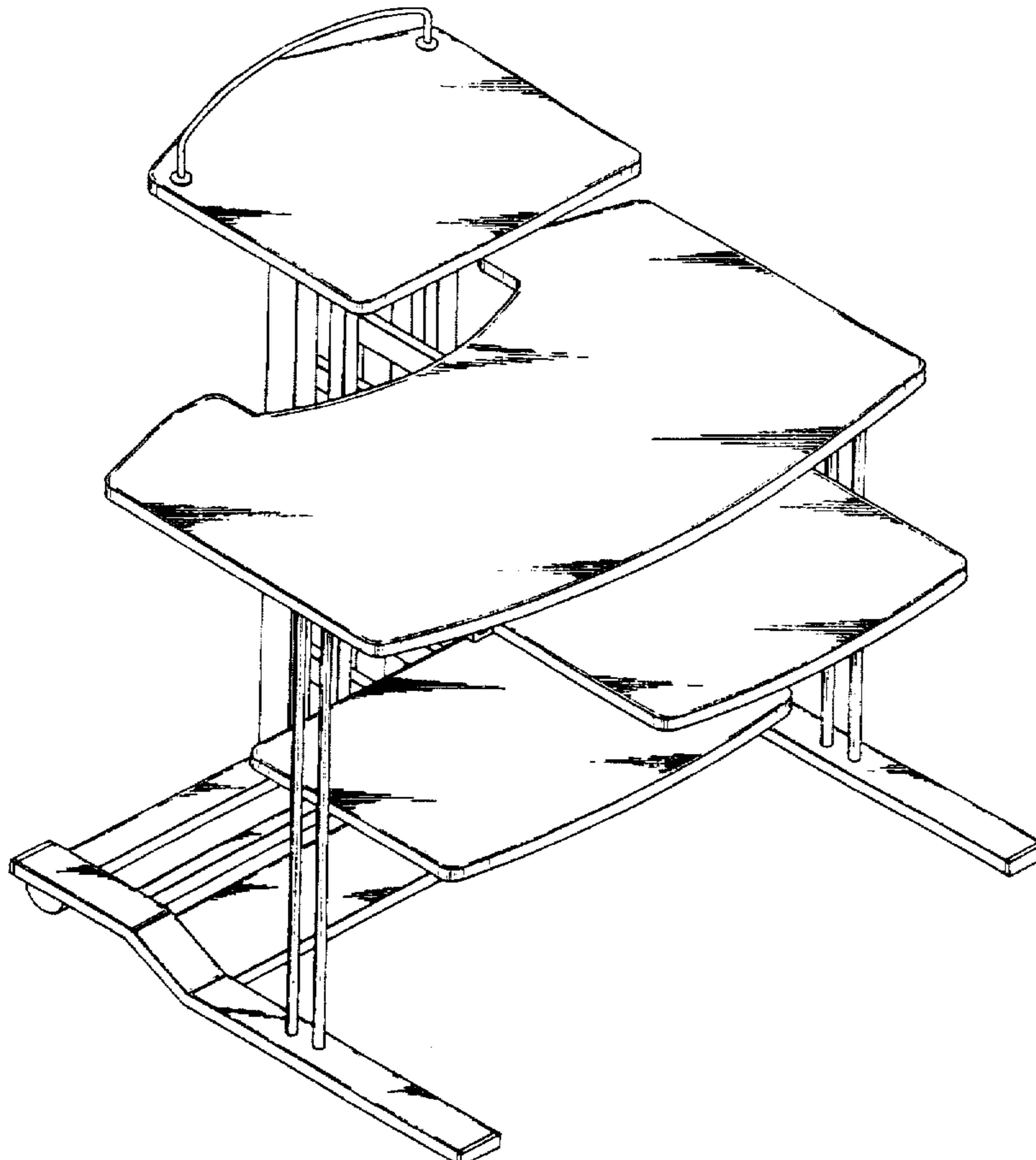
[57] **CLAIM**

The ornamental design for a computer desk, as shown and described.

DESCRIPTION

FIG. 1 is a perspective view of a computer desk showing my new design;
FIG. 2 is a front elevational view thereof;
FIG. 3 is a rear elevational view thereof;
FIG. 4 is a left side elevational view thereof;
FIG. 5 is a right side elevational view thereof;
FIG. 6 is a top plan view thereof;
FIG. 7 is a bottom plan view thereof; and,
FIG. 8 is a perspective view thereof, with the third shelf in its extended position of use.

1 Claim, 5 Drawing Sheets



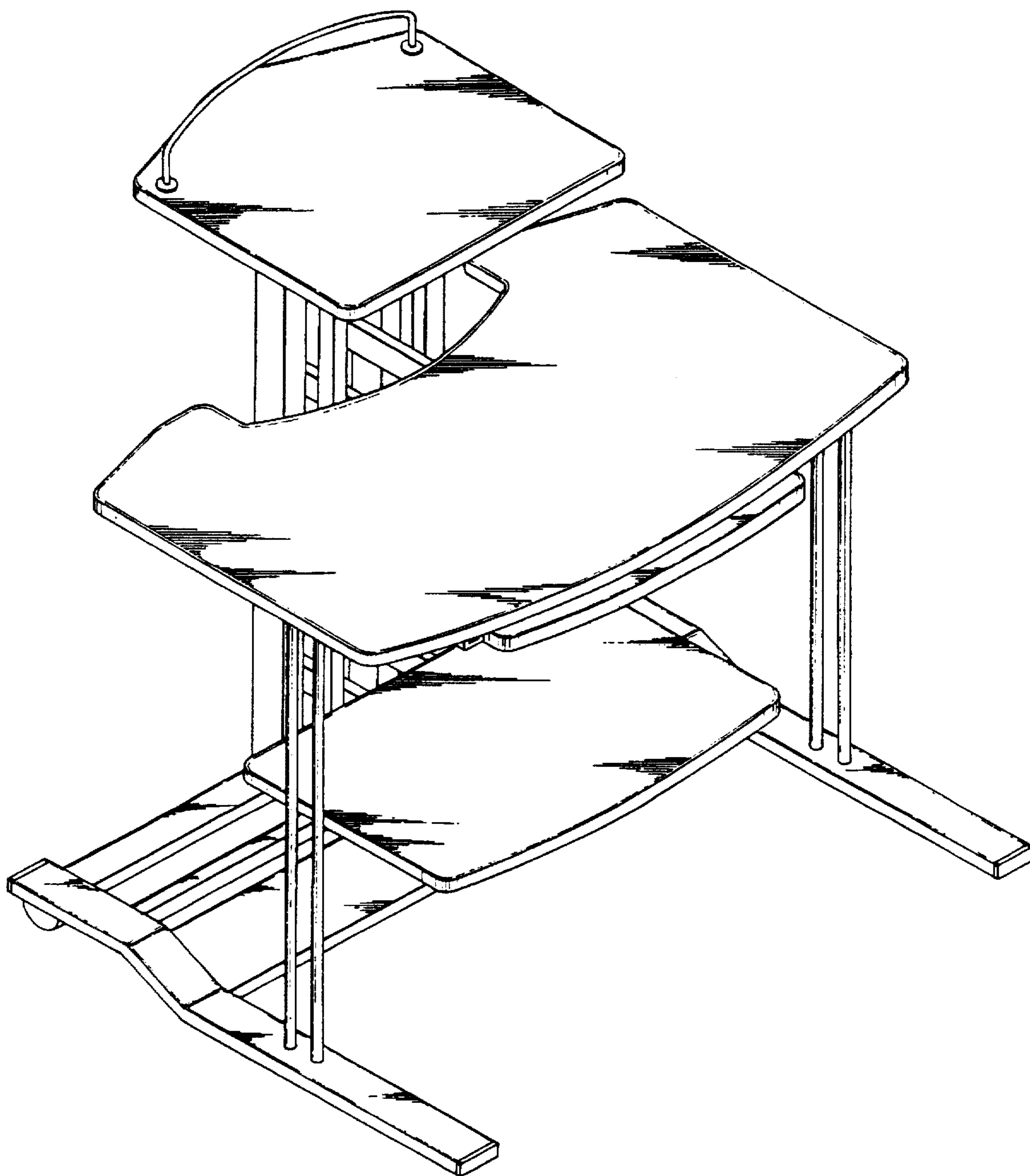


FIG. 1

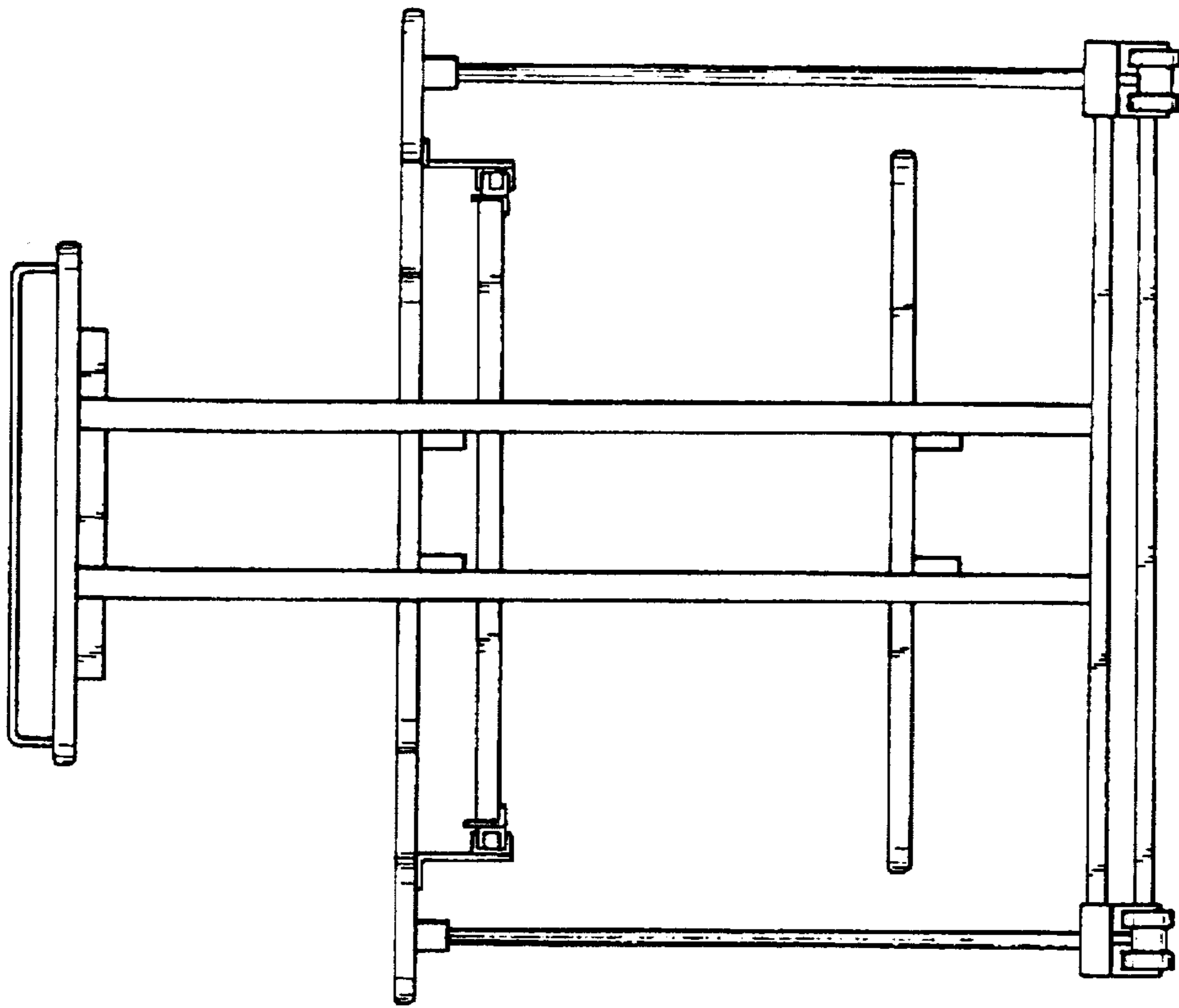


FIG. 3

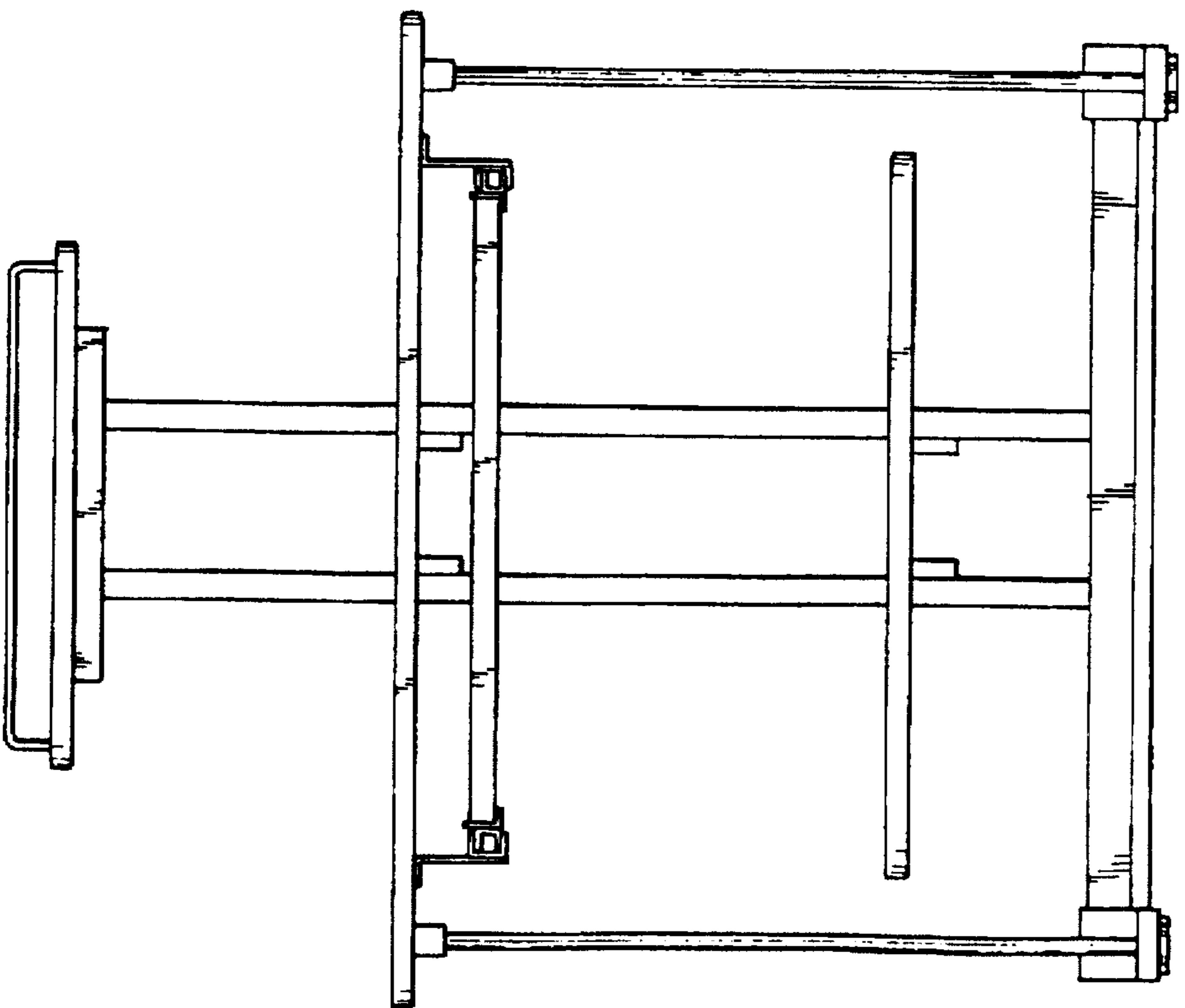


FIG. 2

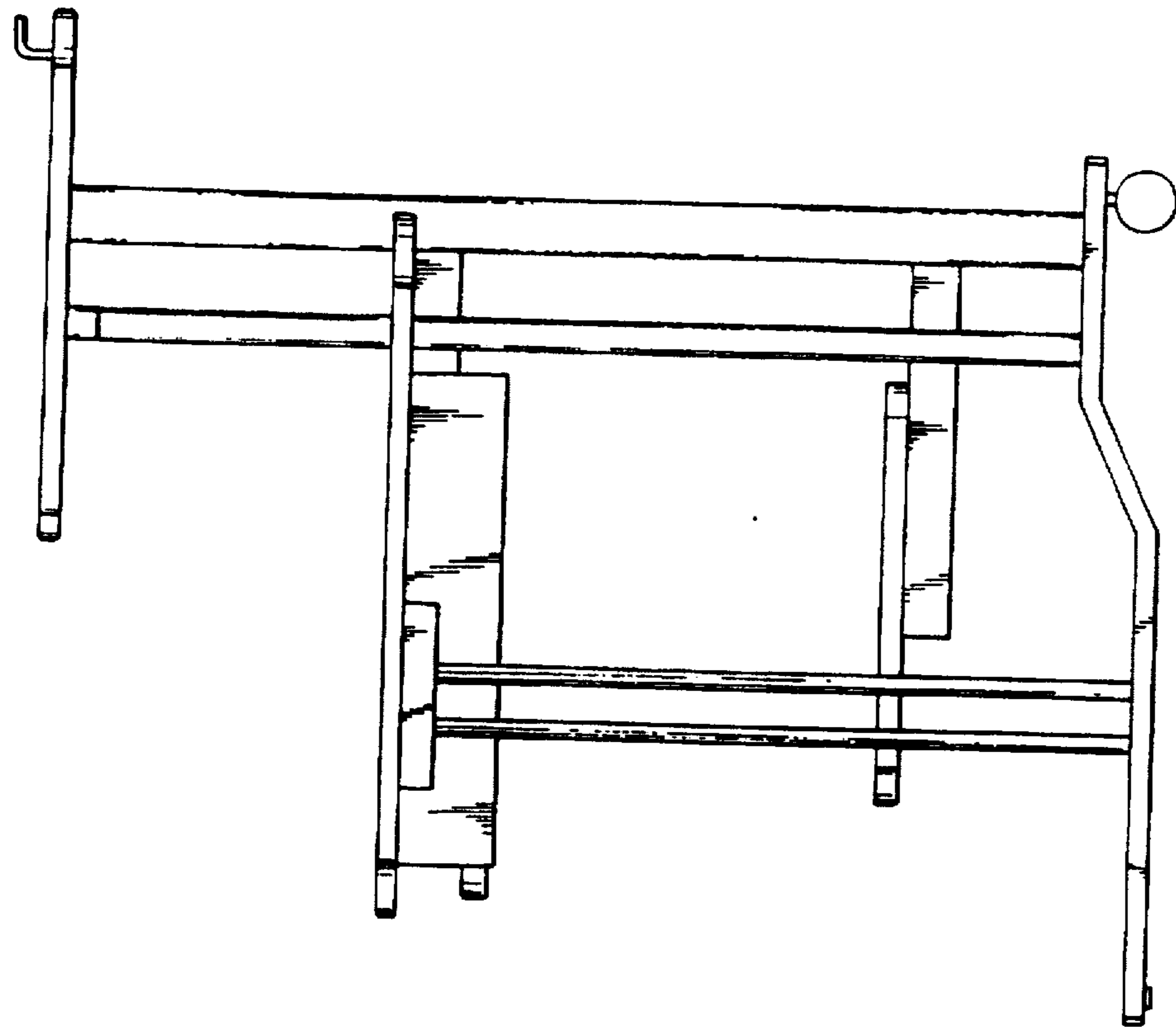


FIG. 5

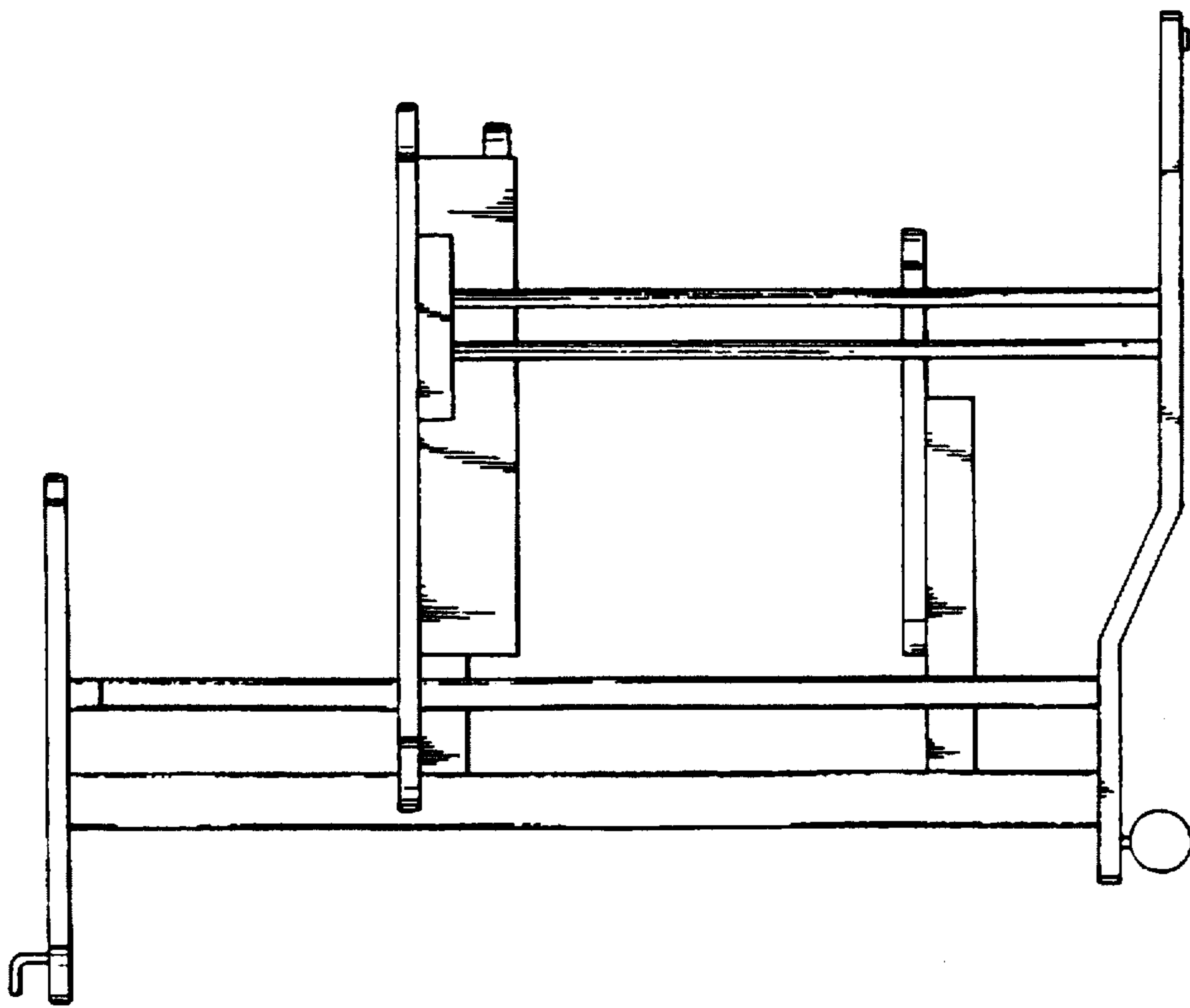


FIG. 4

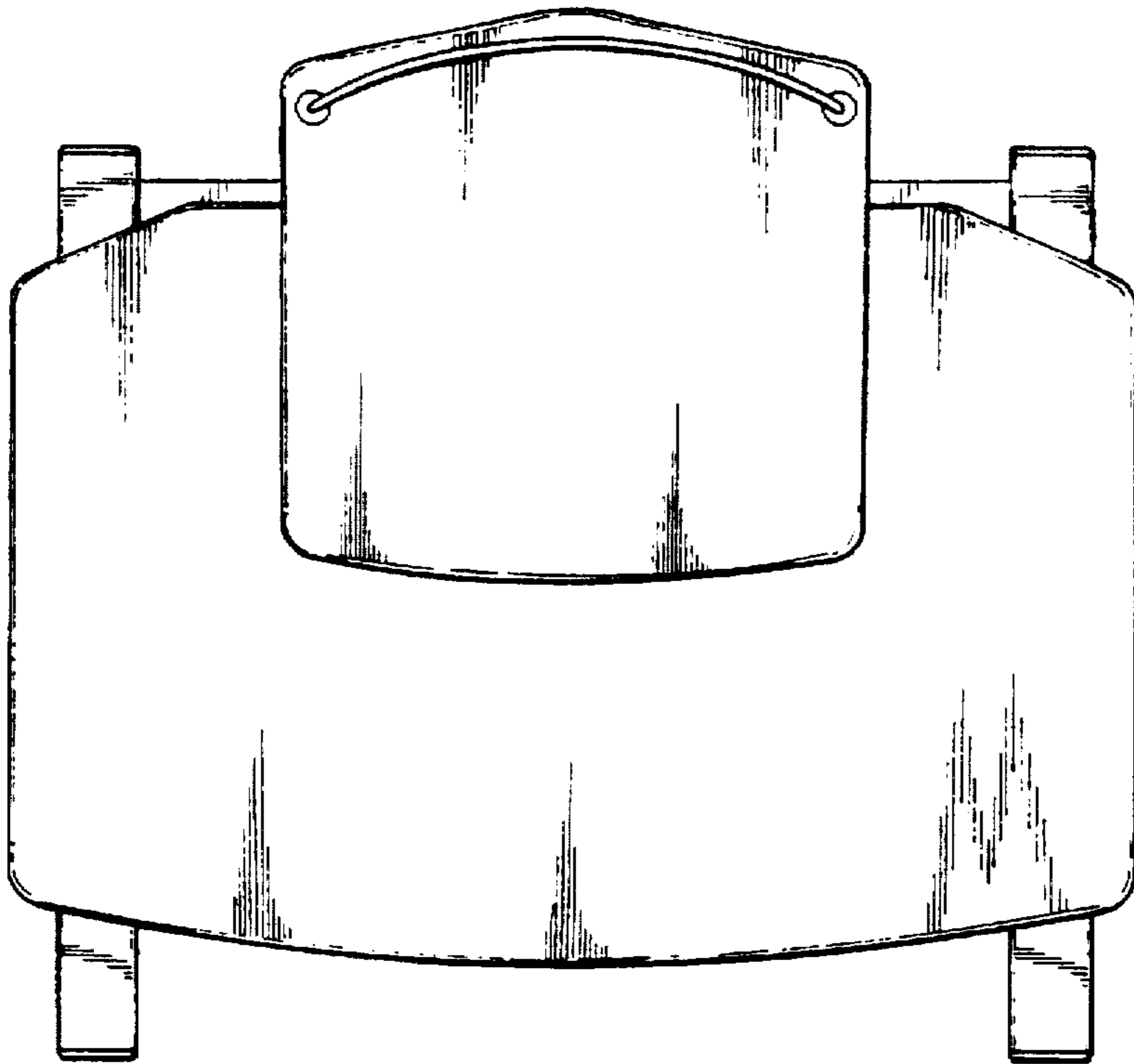


FIG. 6

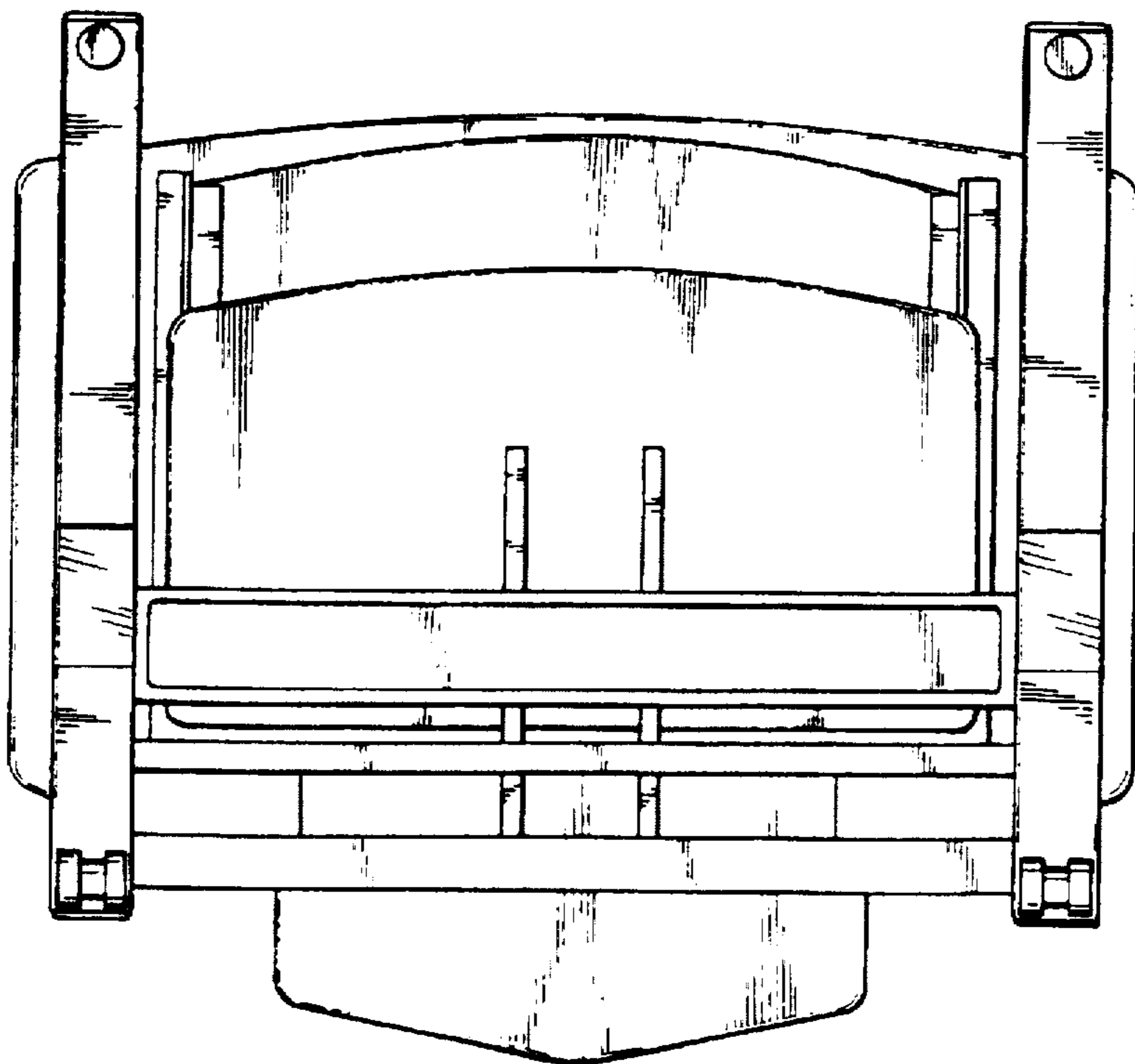


FIG. 7

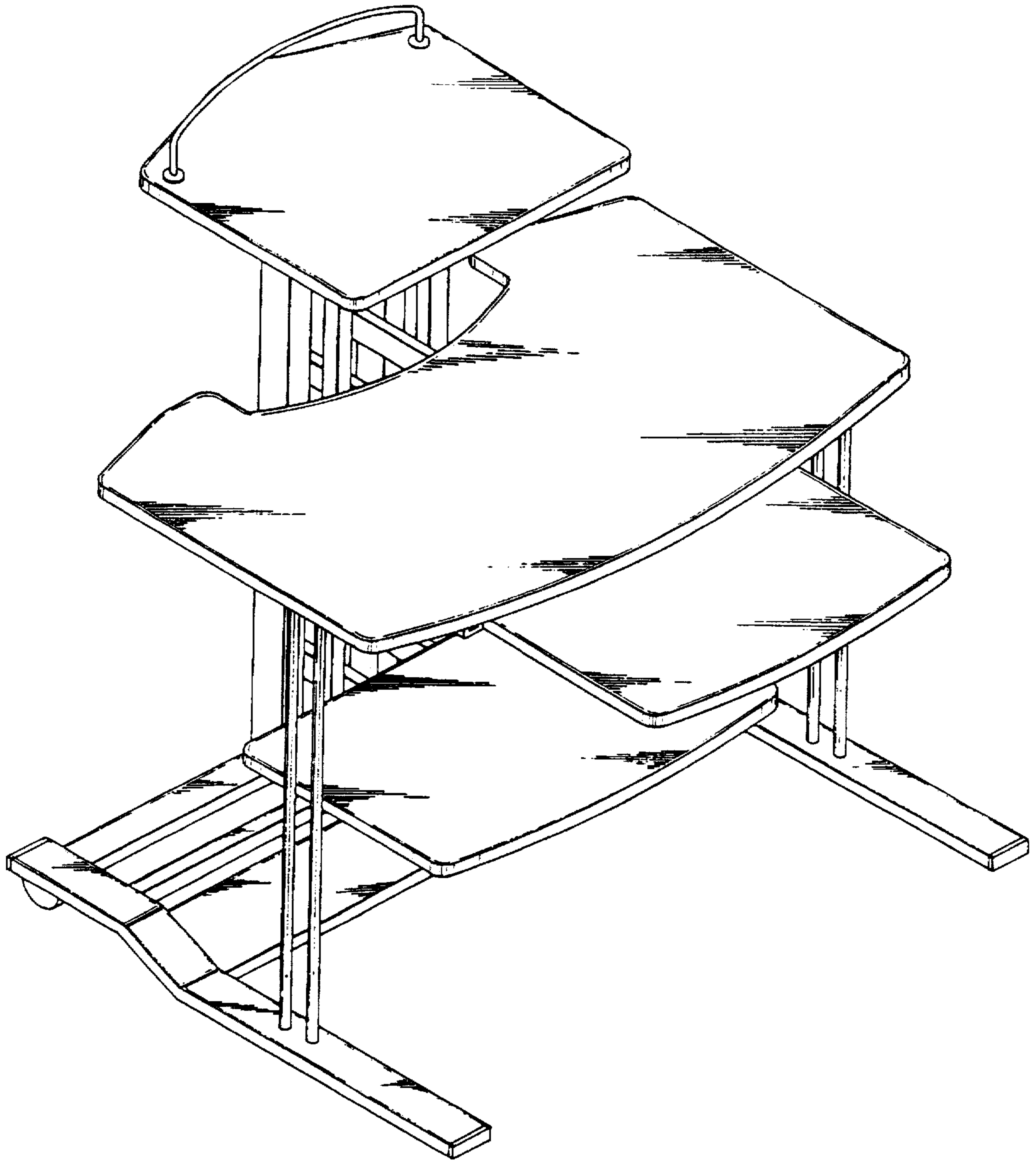


FIG. 8