



US00D394962S

**United States Patent** [19]  
**Diramarian**

[11] **Patent Number:** **Des. 394,962**  
[45] **Date of Patent:** **\*\*Jun. 9, 1998**

[54] **SWIVEL CHAIR**

D. 361,214 8/1995 Klein ..... D6/366

[75] **Inventor:** **Arsho Diramarian**, Pasadena, Calif.

[73] **Assignee:** **Aleco Furniture Mfg Inc.**, Vernon, Calif.

[\*\*] **Term:** **14 Years**

[21] **Appl. No.:** **70,279**

[22] **Filed:** **May 5, 1997**

[51] **LOC (6) Cl.** ..... **06-01**

[52] **U.S. Cl.** ..... **D6/366**

[58] **Field of Search** ..... D6/334, 364, 365, D6/366, 367, 379, 500, 501, 502; 297/411.2

[56] **References Cited**

**U.S. PATENT DOCUMENTS**

D. 99,802	5/1936	Hoffmann	.....	D6/366
D. 189,294	11/1960	Petitt	.....	D6/366
D. 244,729	6/1977	Buhk	.....	D6/366
D. 254,278	2/1980	Wilson	.....	D6/366

**OTHER PUBLICATIONS**

Shelby Williams, p. 10. Chair at left, Oct. 1989.

*Primary Examiner*—Gary D. Watson  
*Attorney, Agent, or Firm*—Thomas I. Rozsa; Tony D. Chen

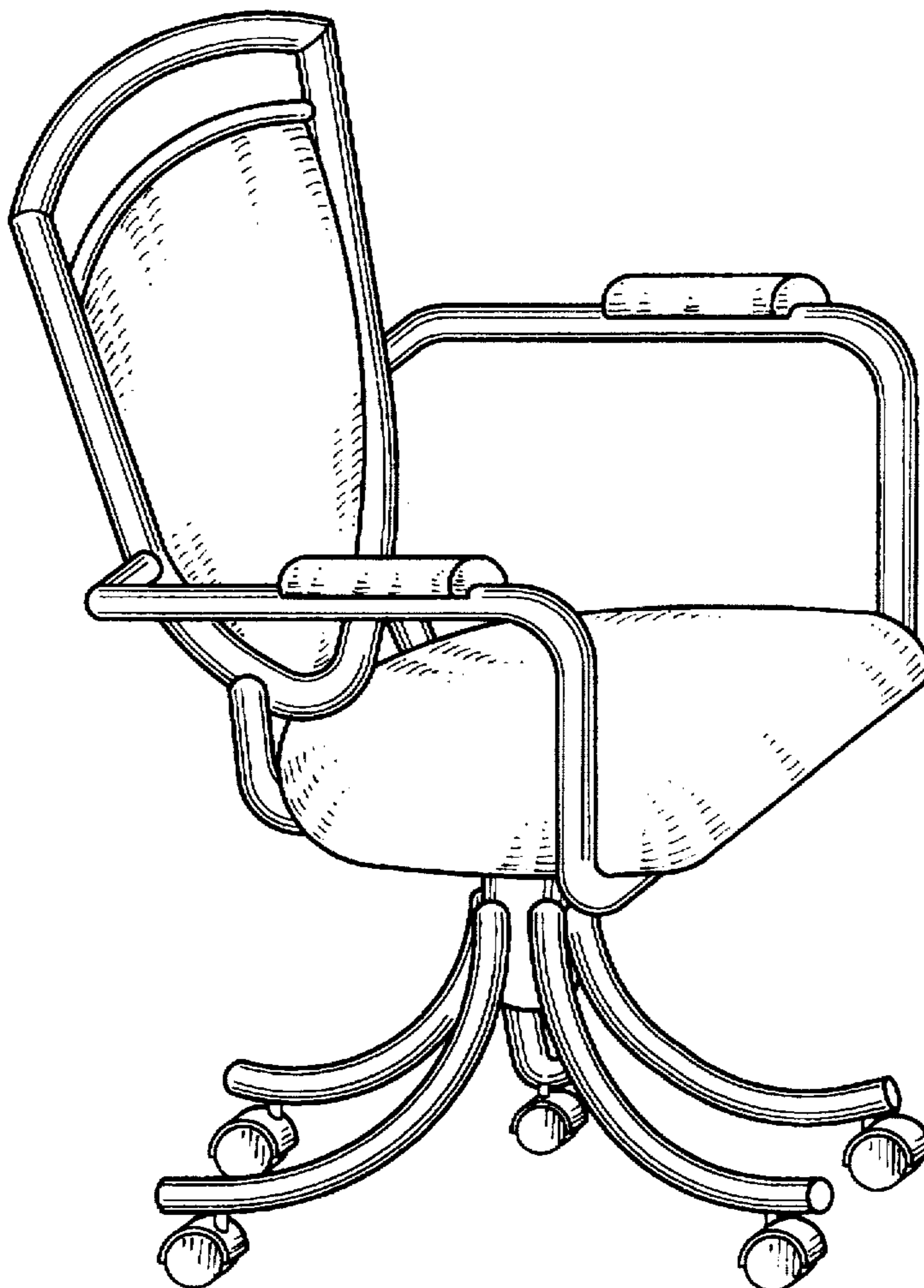
[57] **CLAIM**

The ornamental design for a swivel chair, as shown and described.

**DESCRIPTION**

FIG. 1 is a perspective view of the swivel chair, showing my new design;  
FIG. 2 is a front elevational view;  
FIG. 3 is a rear elevational view;  
FIG. 4 is a side elevational view, the other side being a mirror image;  
FIG. 5 is a bottom plan view; and  
FIG. 6 is a top plan view.

**1 Claim, 2 Drawing Sheets**



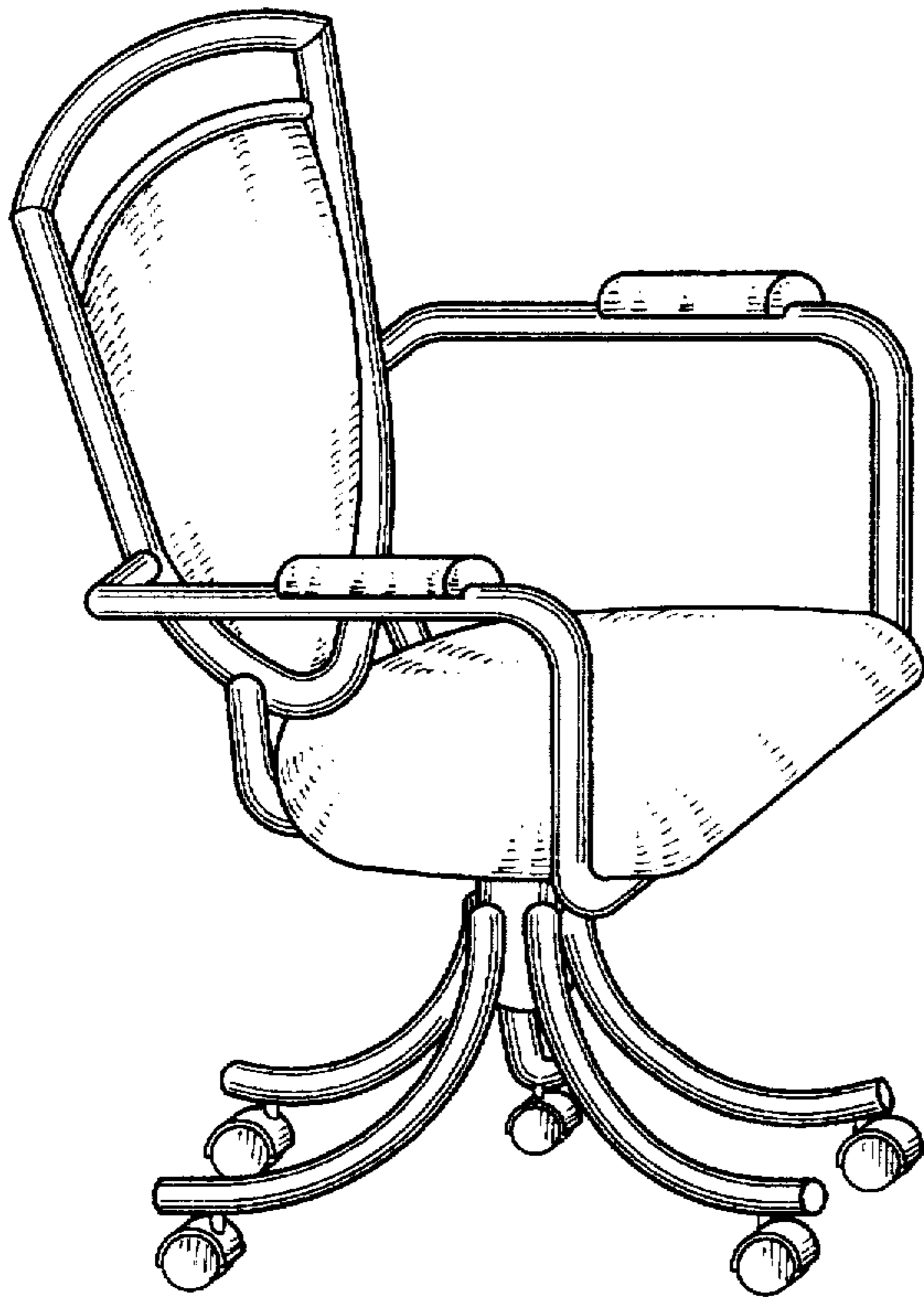


FIG.1

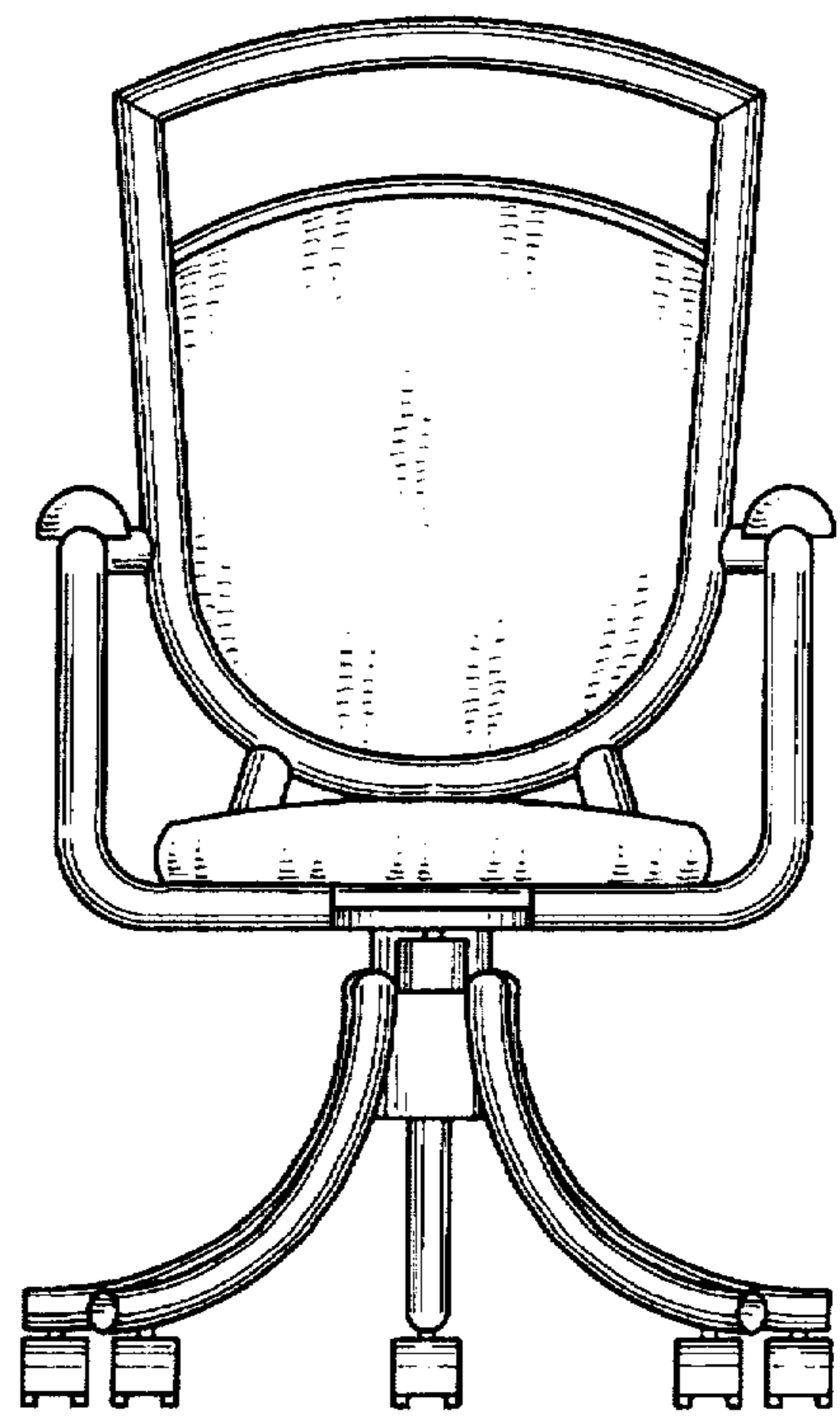


FIG.2

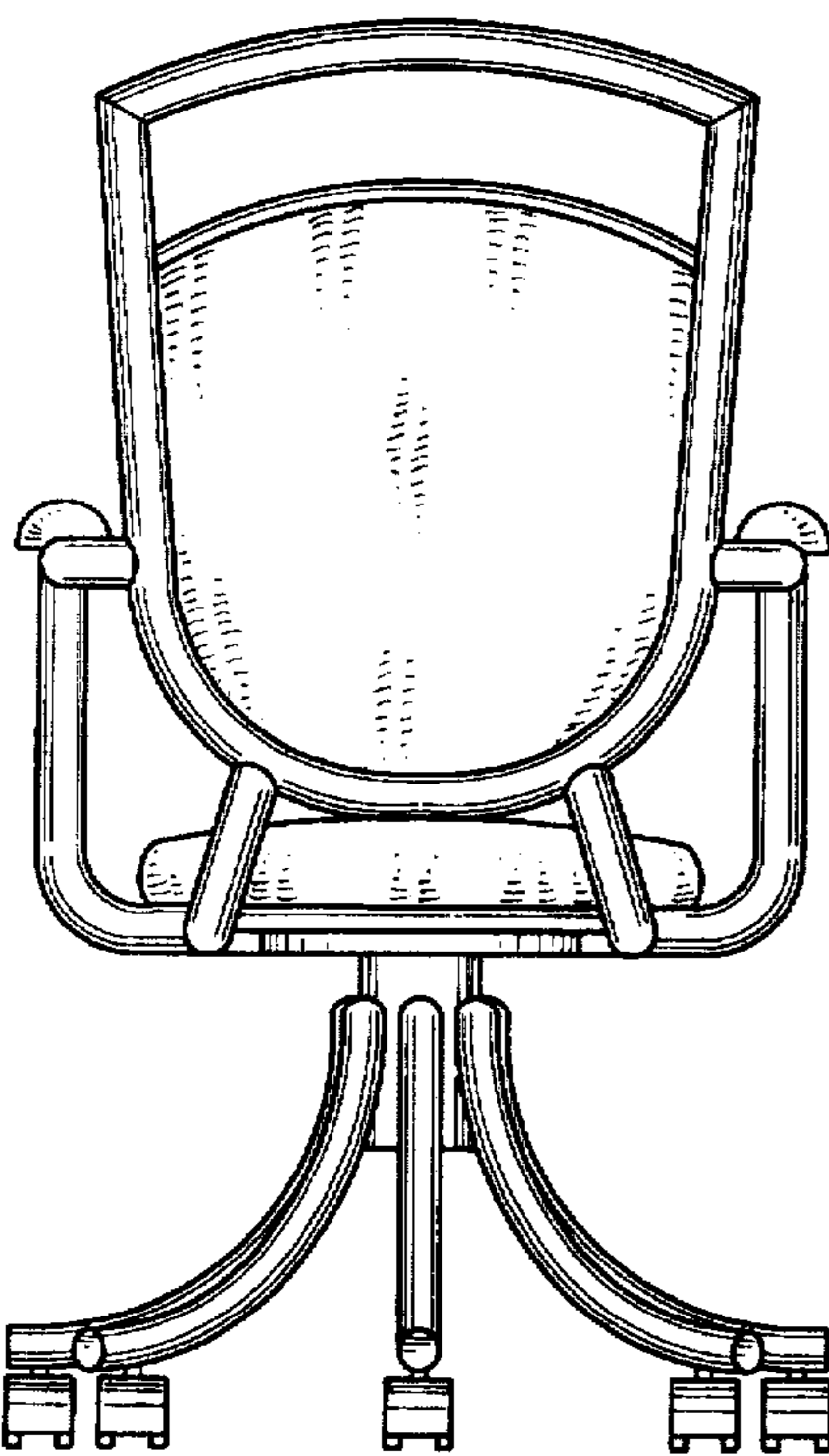


FIG.3

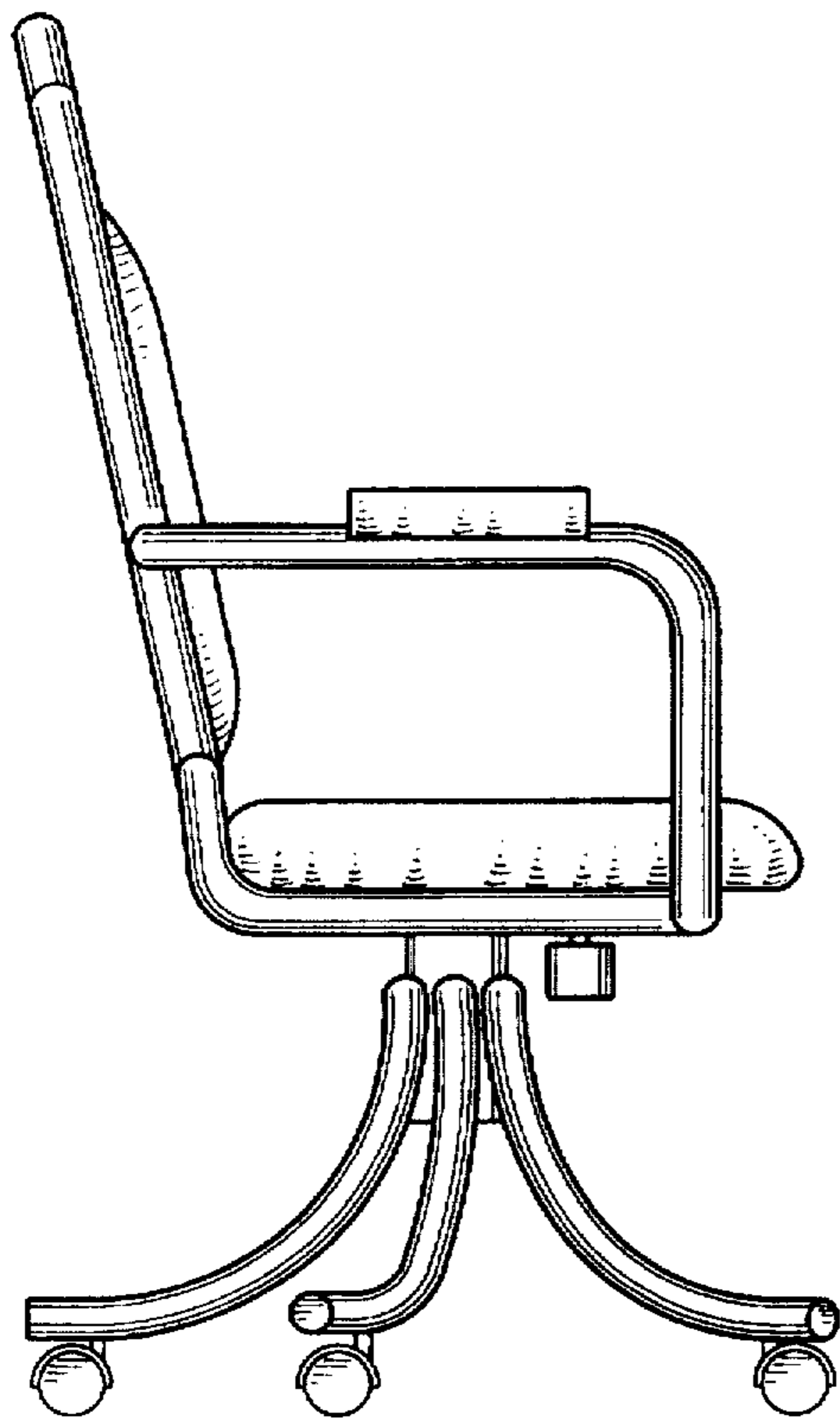


FIG. 4

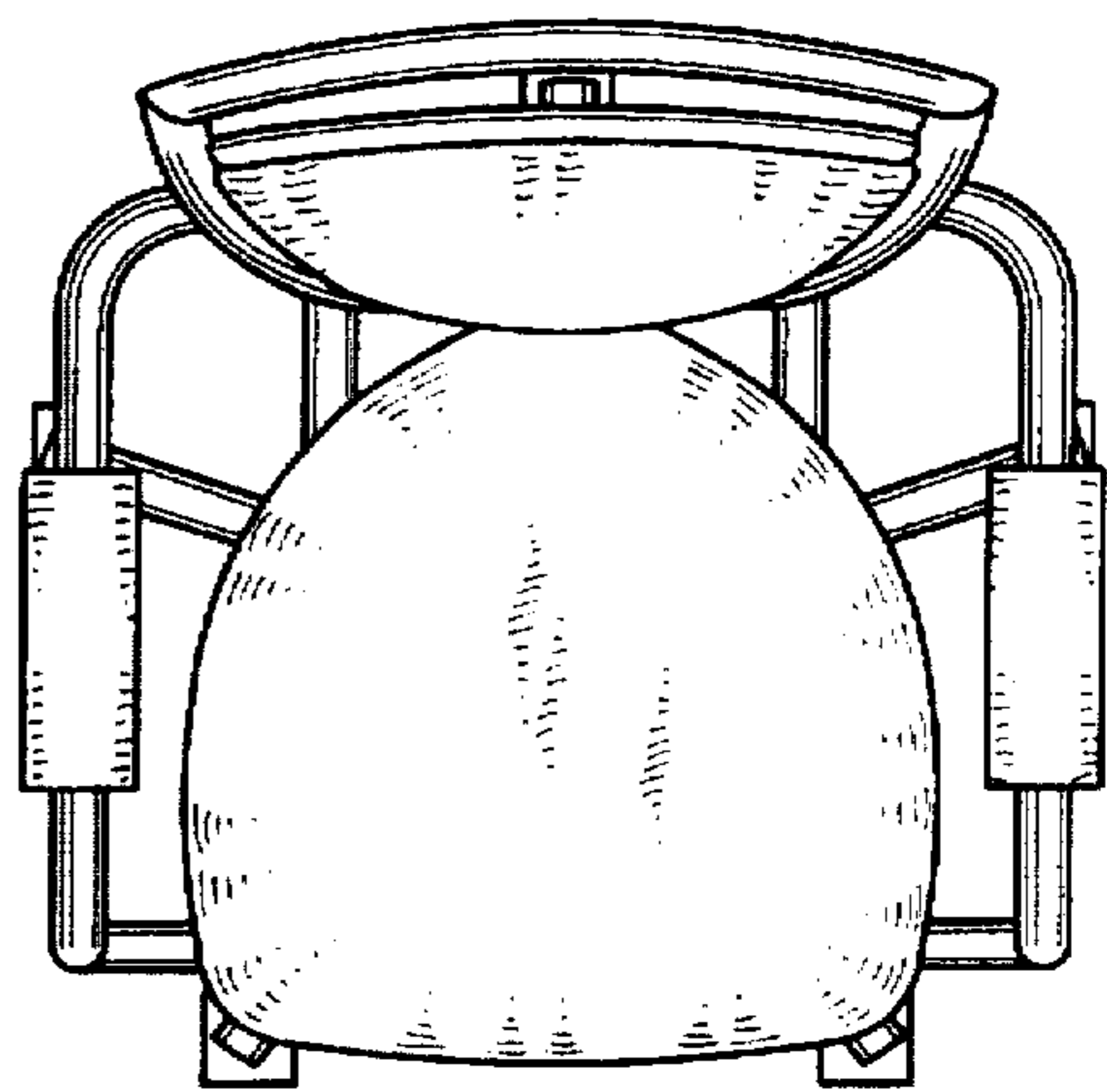


FIG. 6

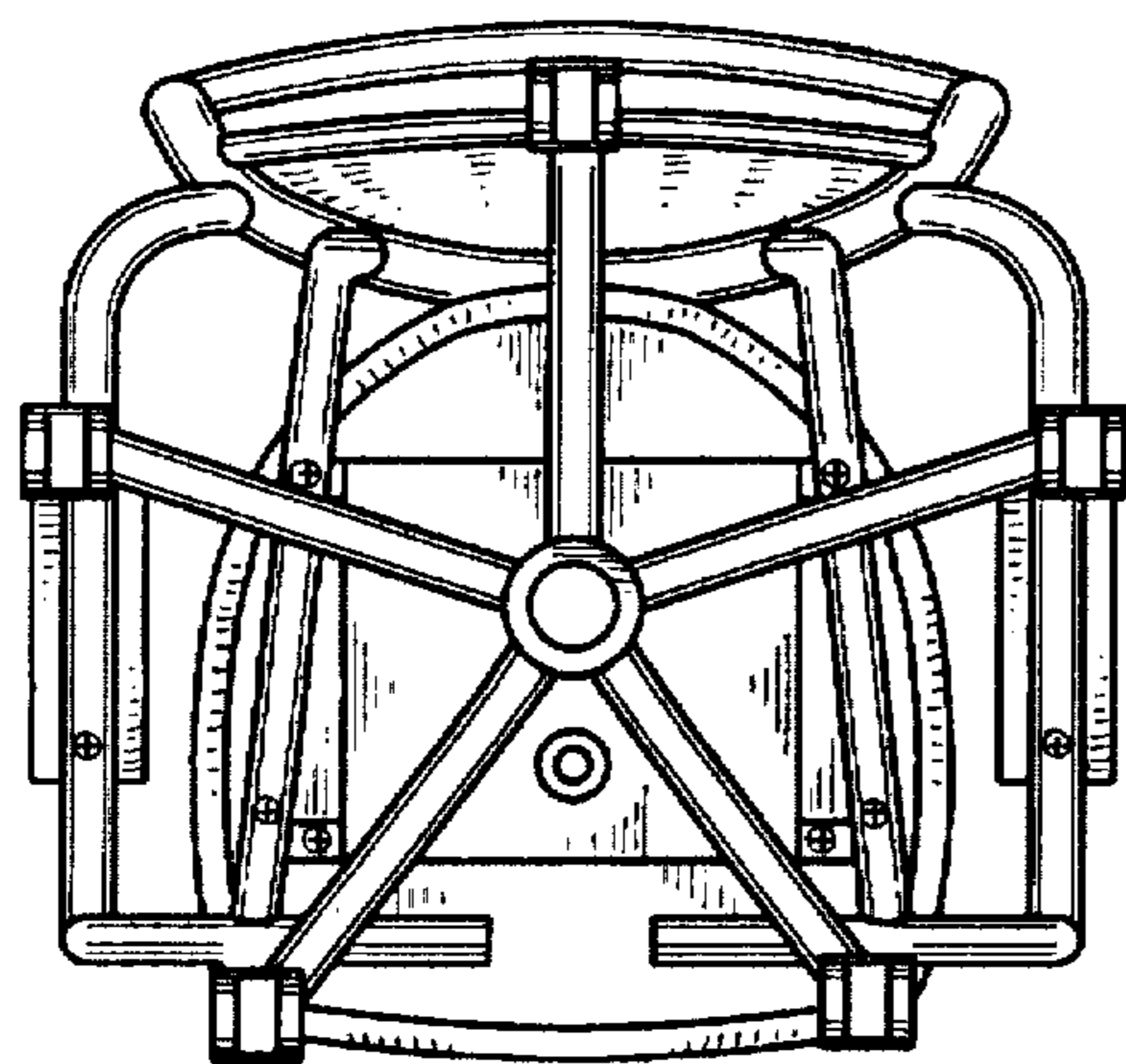


FIG. 5