



US00D394961S

United States Patent [19]
Fancelli

[11] **Patent Number: Des. 394,961**
[45] **Date of Patent: **Jun. 9, 1998**

[54] **CHAIR**

D. 270,020 8/1983 Drabert D6/366
D. 292,351 10/1987 Brossard et al. D6/366
D. 375,009 10/1996 Webb D6/500

[75] **Inventor: Paolo Fancelli, Baden-Dättwil, Switzerland**

[73] **Assignee: Giroflex Entwicklungs AG, Koblenz, Switzerland**

Primary Examiner—Gary D. Watson
Attorney, Agent, or Firm—Greenblum & Bernstein P.L.C.

[**] **Term: 14 Years**

[57] **CLAIM**

[21] **Appl. No.: 69,173**

The ornamental design for a chair, as shown and described.

[22] **Filed: Apr. 11, 1997**

DESCRIPTION

[30] **Foreign Application Priority Data**

Oct. 14, 1996 [XH] Hague Agreement DM/037 887

FIG. 1 is a front perspective view of the chair according to the invention;

[51] **LOC (6) Cl. 06-01**

FIG. 2 is a right-side elevational view thereof, with the left-side elevational view being identical;

[52] **U.S. Cl. D6/366**

FIG. 3 is a front elevational view thereof;

[58] **Field of Search D6/334, 364, 365, D6/366, 367, 379, 500, 501, 502; 297/411.2, 411.4**

FIG. 4 is a rear elevational view thereof;

FIG. 5 is a top plan view thereof; and,

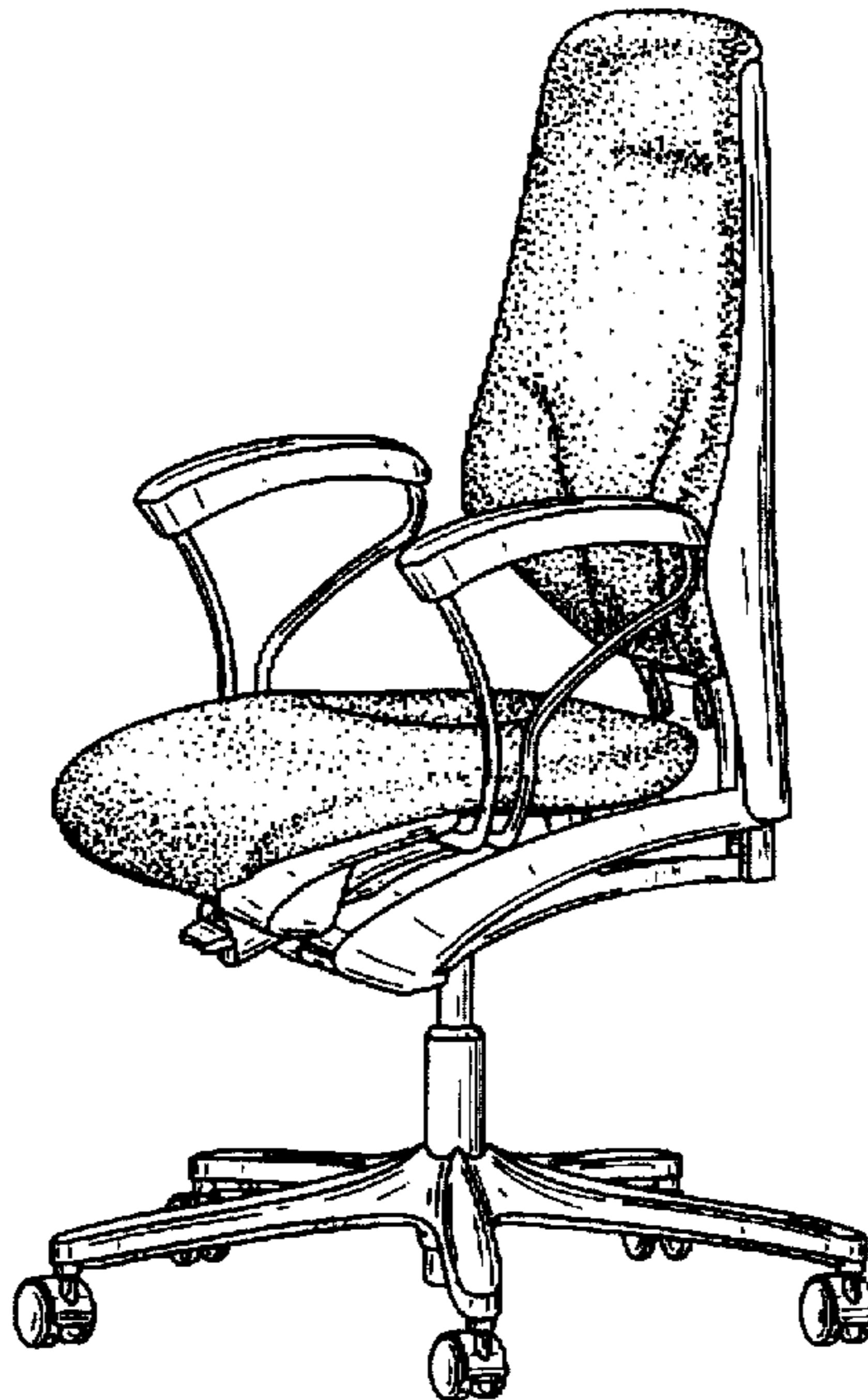
FIG. 6 is a bottom plan view thereof.

[56] **References Cited**

U.S. PATENT DOCUMENTS

D. 109,055 3/1938 Foote D6/366

1 Claim, 3 Drawing Sheets



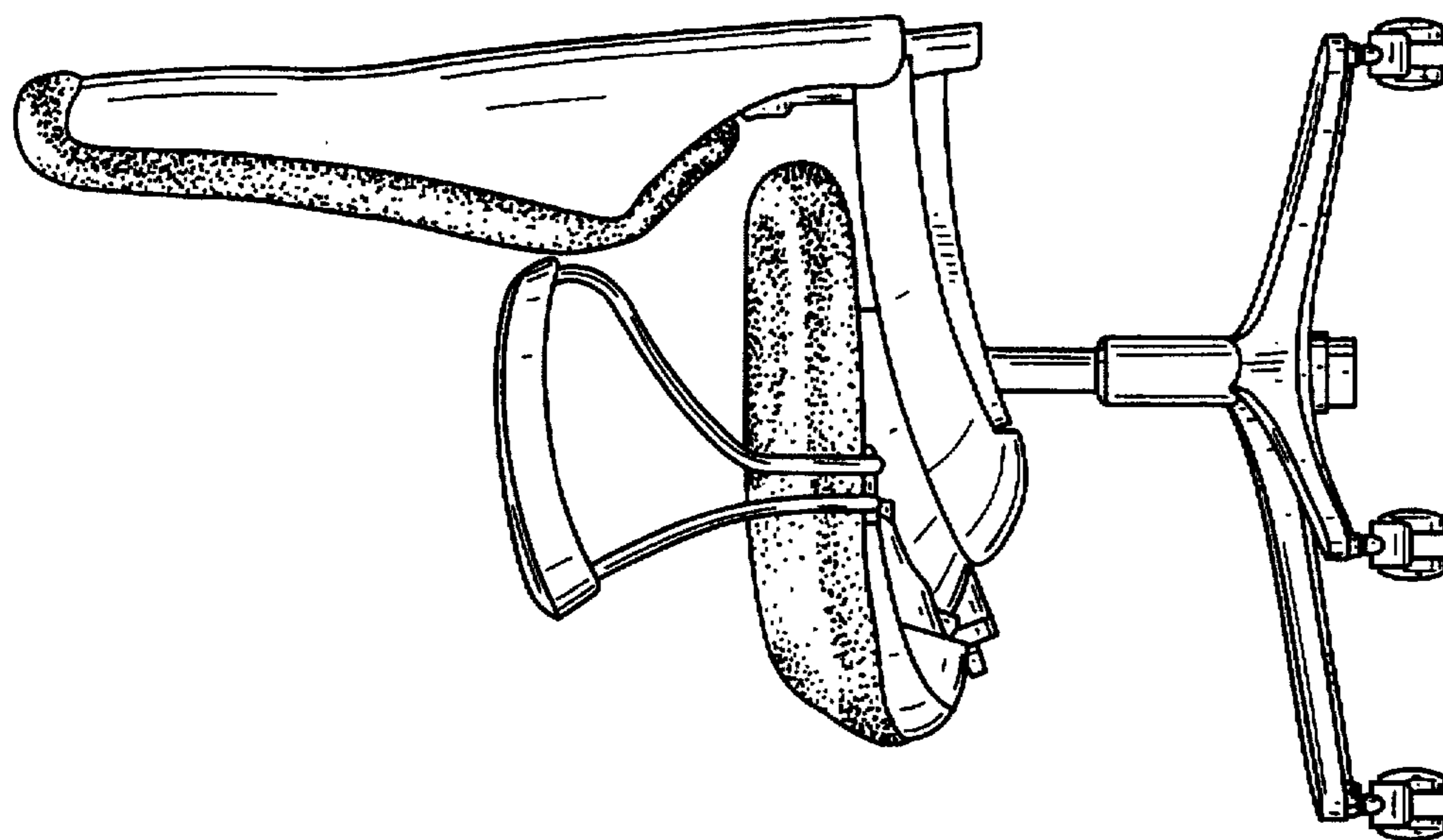


FIG. 2

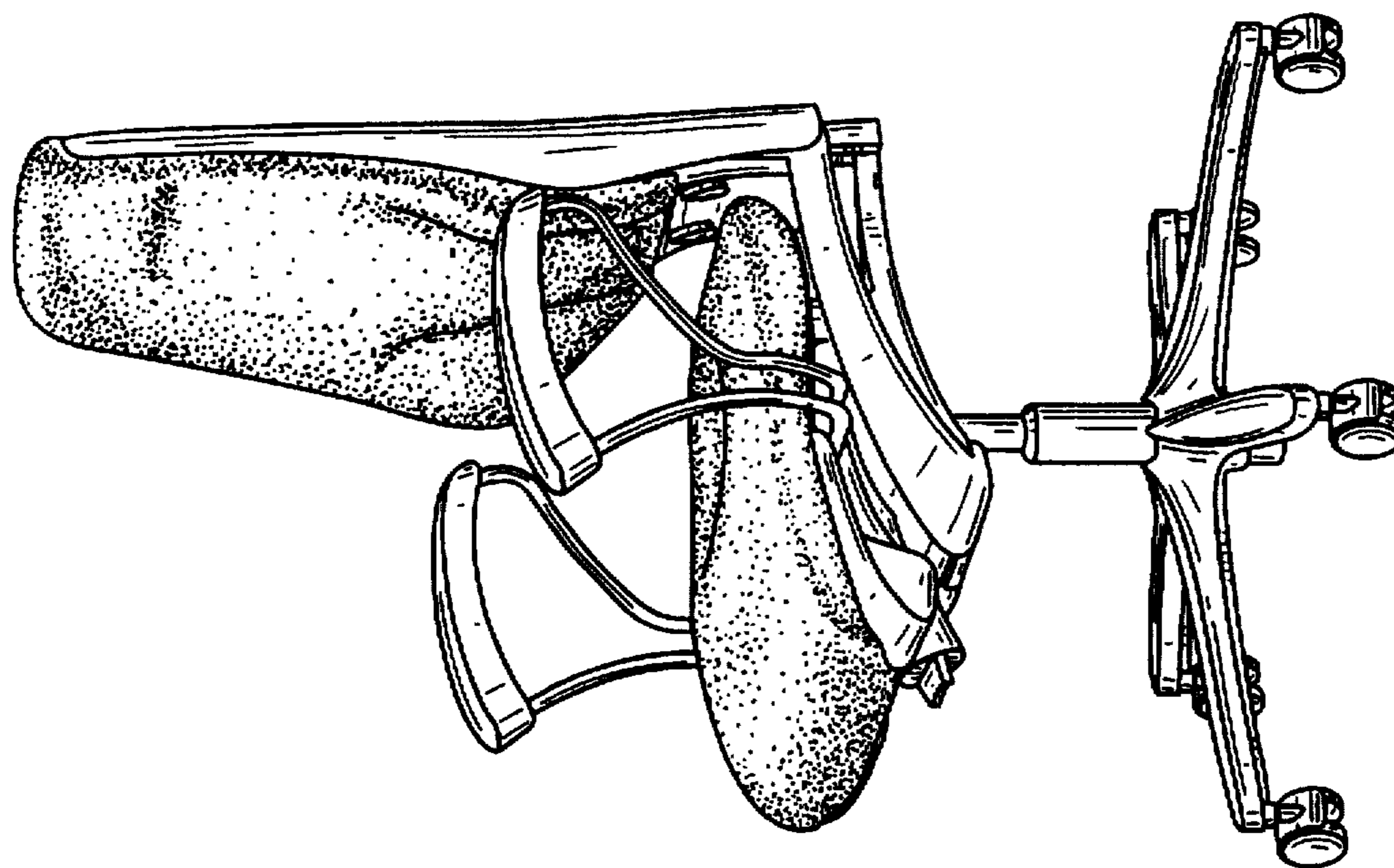


FIG. 1

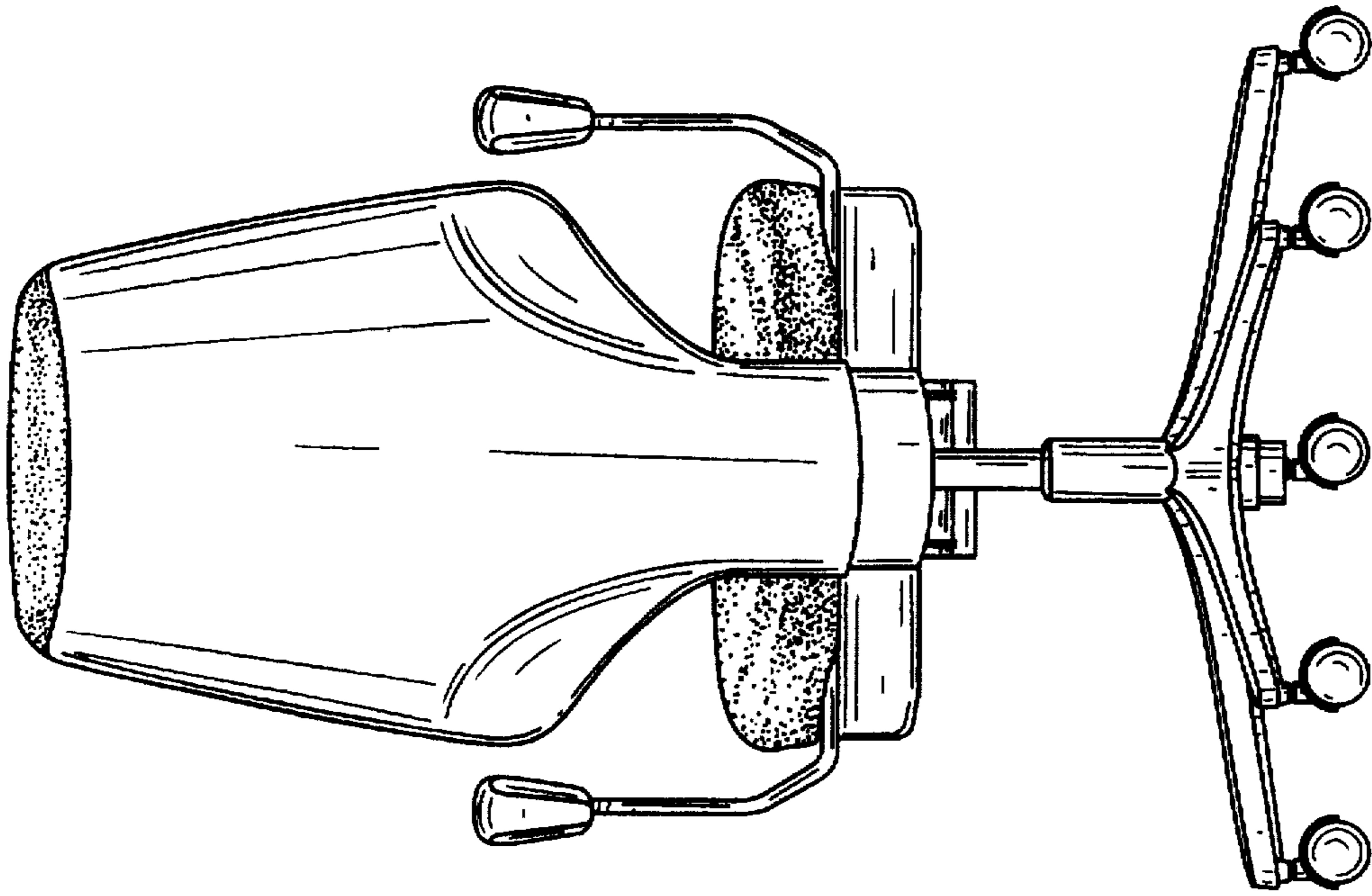


FIG. 4

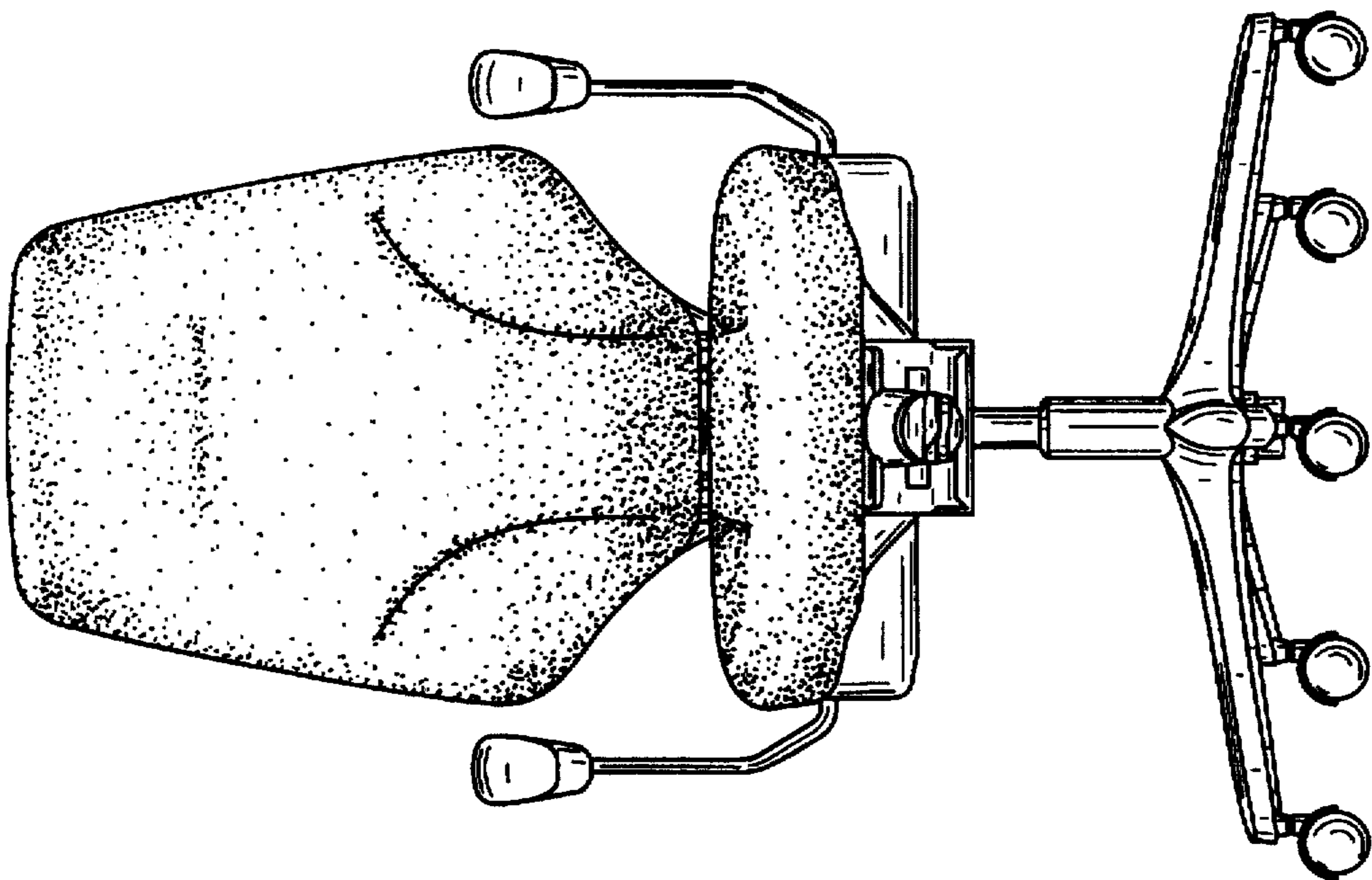


FIG. 3

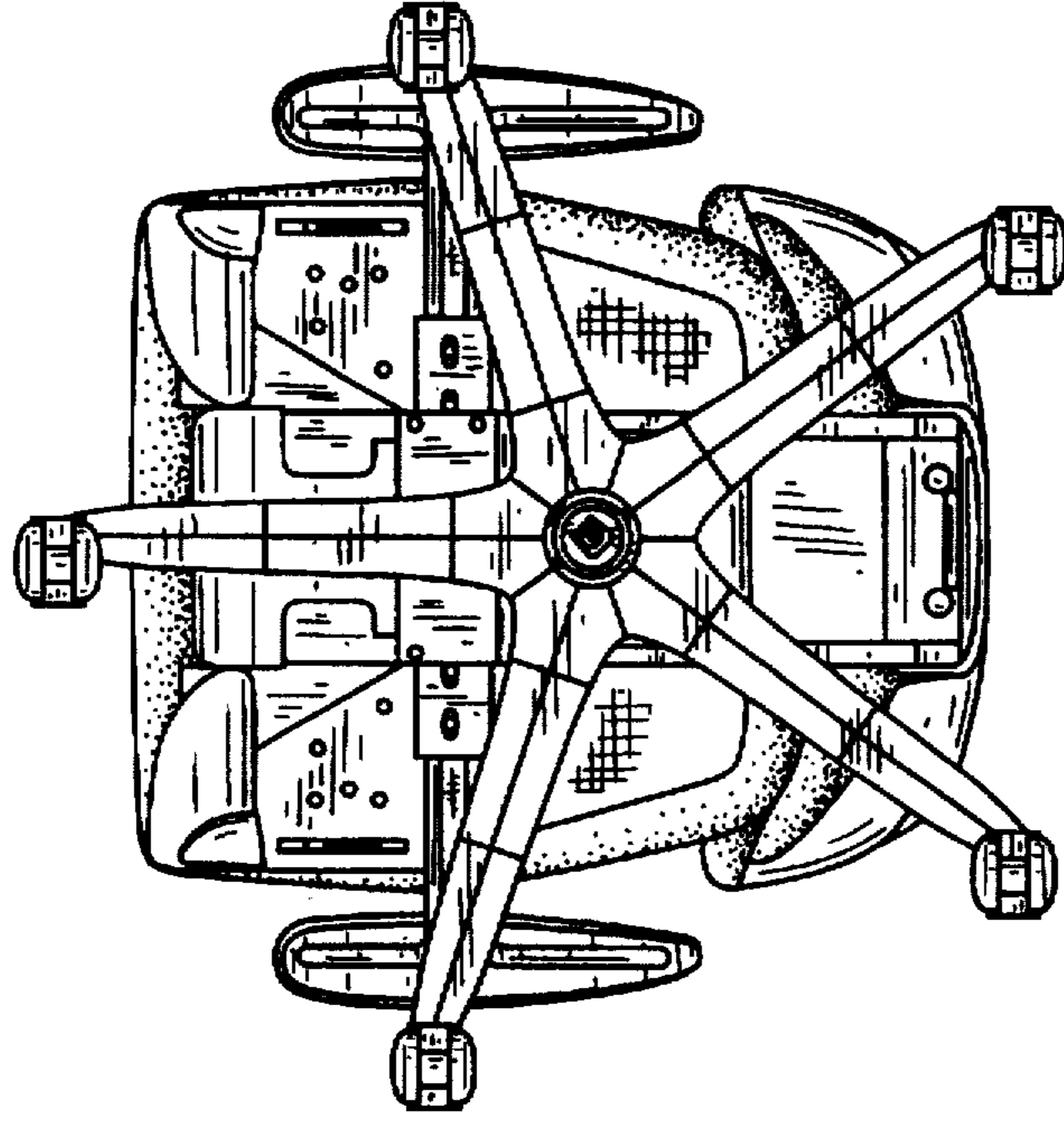


FIG. 6

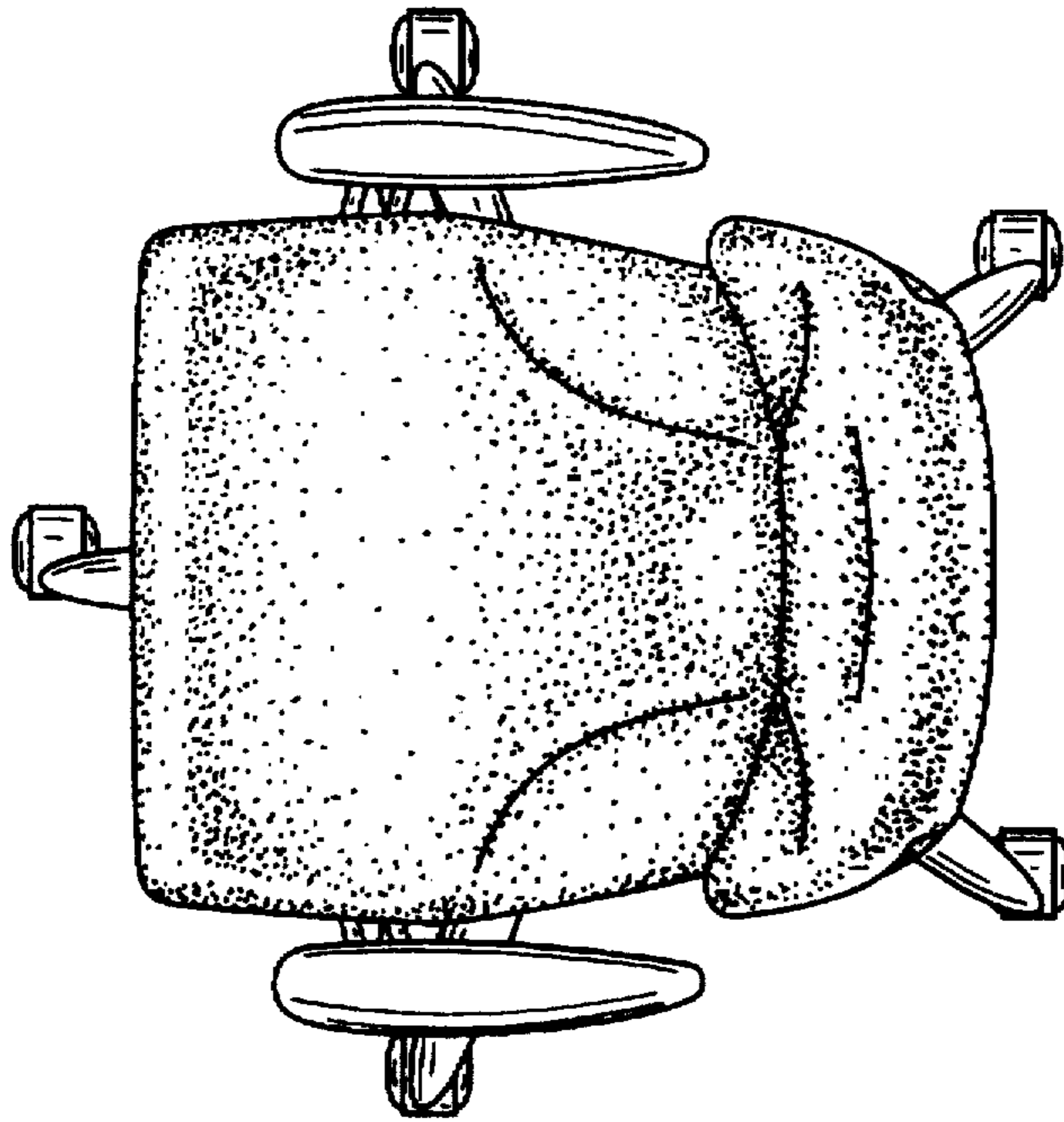


FIG. 5