



US00D394959S

**United States Patent** [19]  
**Kwan**

[11] **Patent Number:** **Des. 394,959**  
[45] **Date of Patent:** **\*\*Jun. 9, 1998**

[54] **BEVELED CARD HOLDER AND STAND**

[76] **Inventor:** **Patrick P. Kwan**, 88 Cascade Key,  
Bellevue, Wash. 98006

[\*\*] **Term:** **14 Years**

[21] **Appl. No.:** **75,084**

[22] **Filed:** **Aug. 7, 1997**

[51] **LOC (6) Cl.** ..... **06-07**

[52] **U.S. Cl.** ..... **D6/314; D6/300**

[58] **Field of Search** ..... **D6/300-303, 308-314,**  
**D6/470; D20/10, 40; 40/700, 711, 714,**  
**716, 721-724, 765, 766, 798**

[56] **References Cited**

**U.S. PATENT DOCUMENTS**

- D. 158,699 5/1950 Wasilevich .
- D. 201,411 6/1965 Tucker .
- D. 202,315 9/1965 Tucker .
- D. 229,458 12/1973 Schneider .
- D. 250,960 1/1979 Bitner, Jr. et al. .
- D. 260,864 9/1981 Perry .
- D. 271,168 11/1983 Antonczyk ..... D6/300
- D. 277,969 3/1985 Bustos .
- D. 291,900 9/1987 Mortensen .
- D. 352,176 11/1994 McMillan .
- D. 357,704 4/1995 Wolff ..... D19/90
- D. 359,641 6/1995 Kwan .
- D. 367,560 3/1996 Kwan .
- D. 367,561 3/1996 Kwan .
- D. 368,588 4/1996 Goraleski et al. .... D6/300
- D. 370,568 6/1996 Wynne ..... D6/306
- D. 381,839 8/1997 Dorigo ..... D6/470

- 3,658,413 4/1972 Cornell .
- 3,703,045 11/1972 Nyman .
- 4,019,269 4/1977 Vix .
- 4,195,729 4/1980 Macken .
- 4,944,412 7/1990 Daigre .
- 5,082,110 1/1992 Hagar .
- 5,165,538 11/1992 Peters .

**FOREIGN PATENT DOCUMENTS**

- 69963 1/1992 Canada .
- 76022 3/1995 Canada .

**OTHER PUBLICATIONS**

Brookstone, 1977, p. 15. #H frames as lower left.

*Primary Examiner*—Janice E. Seeger  
*Attorney, Agent, or Firm*—Christensen O'Connor Johnson  
& Kindness PLLC

[57] **CLAIM**

The ornamental design for a beveled card holder and stand,  
as shown and described.

**DESCRIPTION**

FIG. 1 is a perspective view of a beveled card holder and  
stand showing my design;  
FIG. 2 is a front view thereof;  
FIG. 3 is a rear view thereof;  
FIG. 4 is a right side view thereof;  
FIG. 5 is a left side view thereof;  
FIG. 6 is a top view thereof; and,  
FIG. 7 is a bottom view thereof.

**1 Claim, 2 Drawing Sheets**

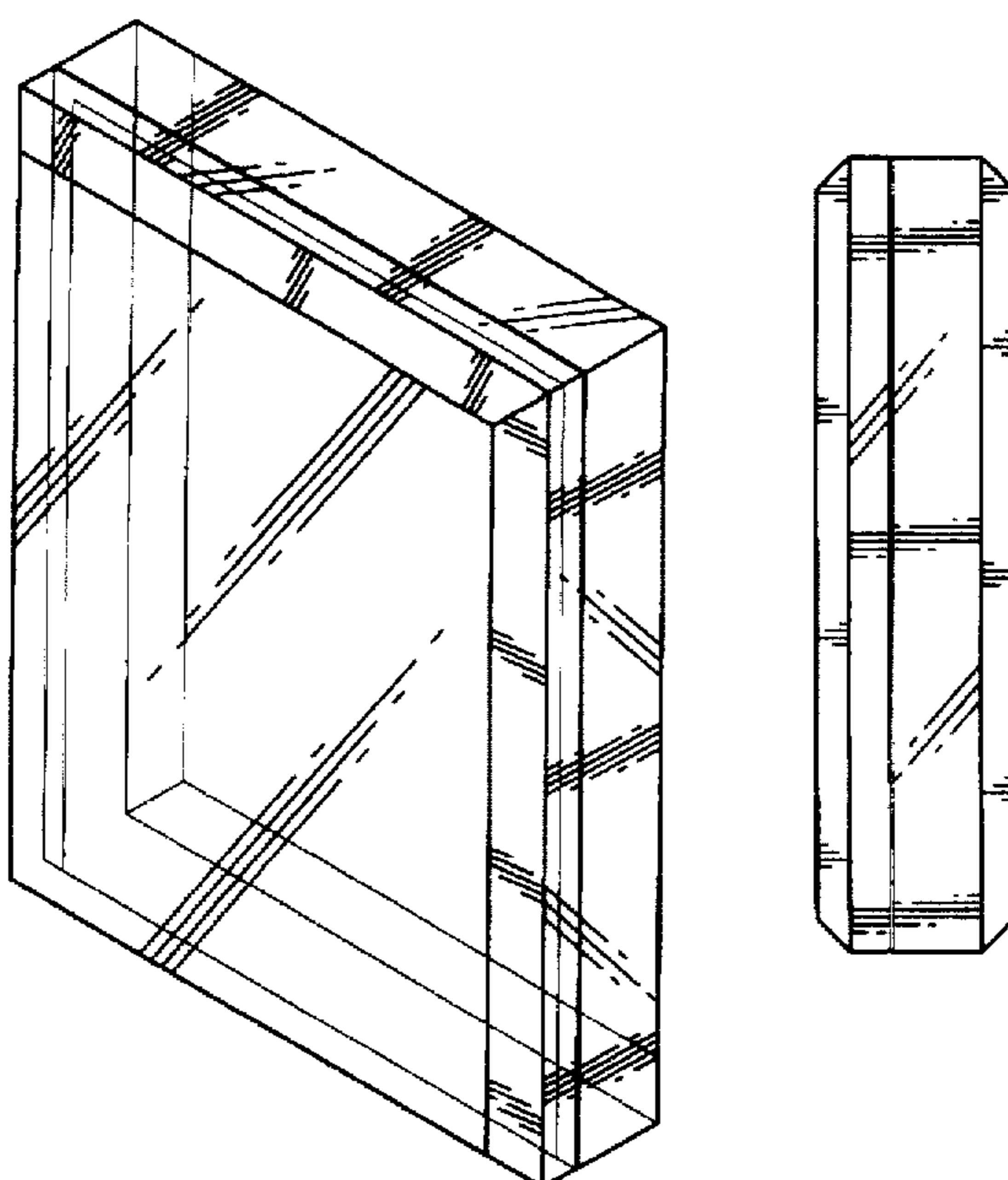


FIG. 1

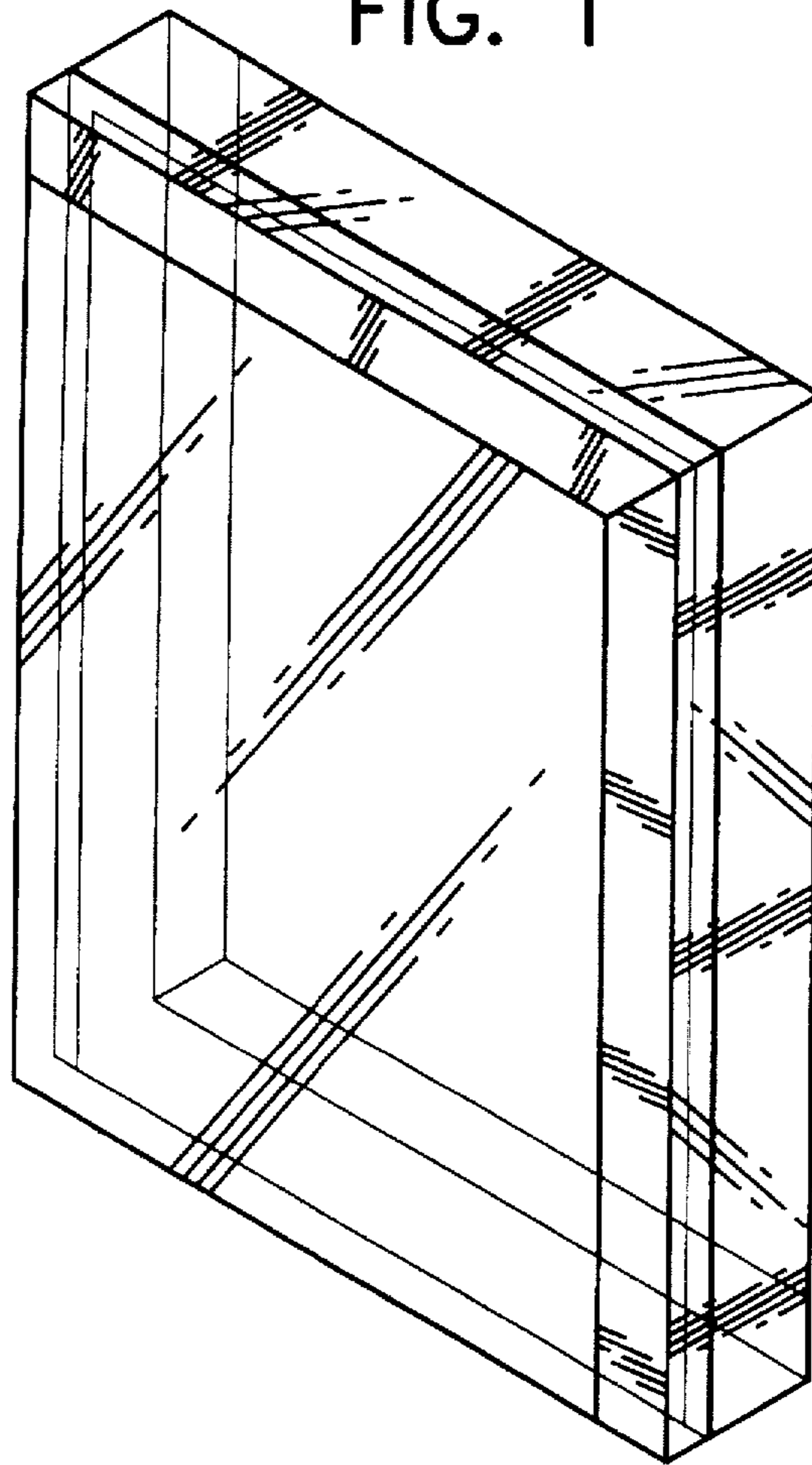


FIG. 4

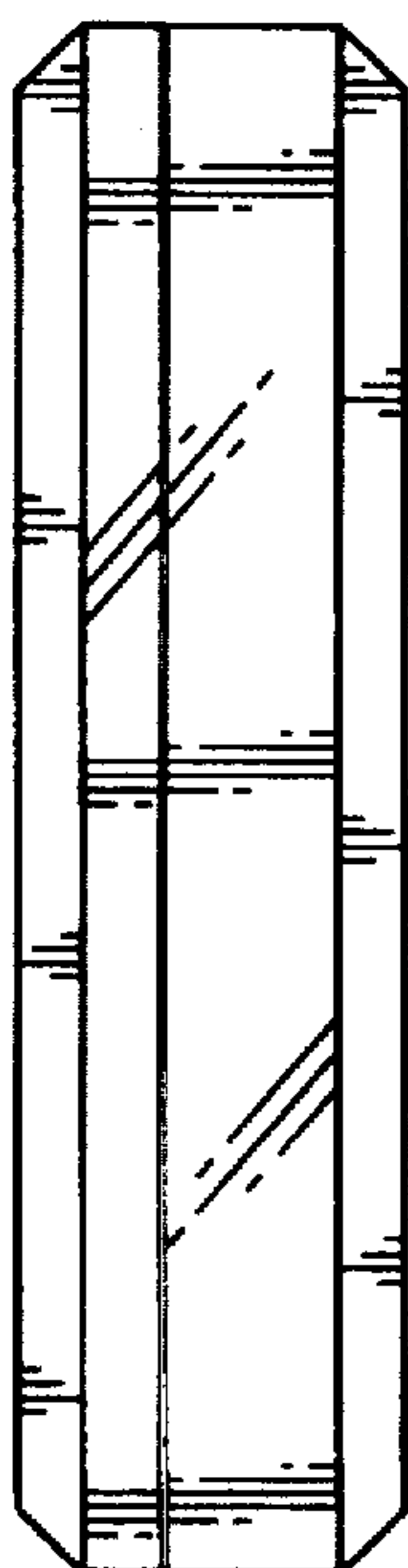


FIG. 5

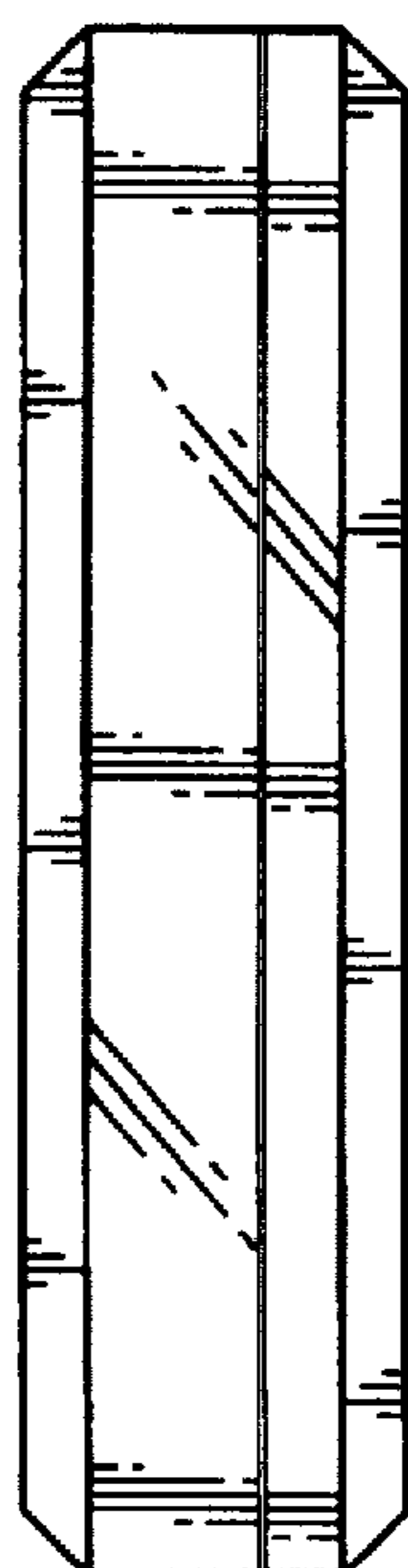


FIG. 6

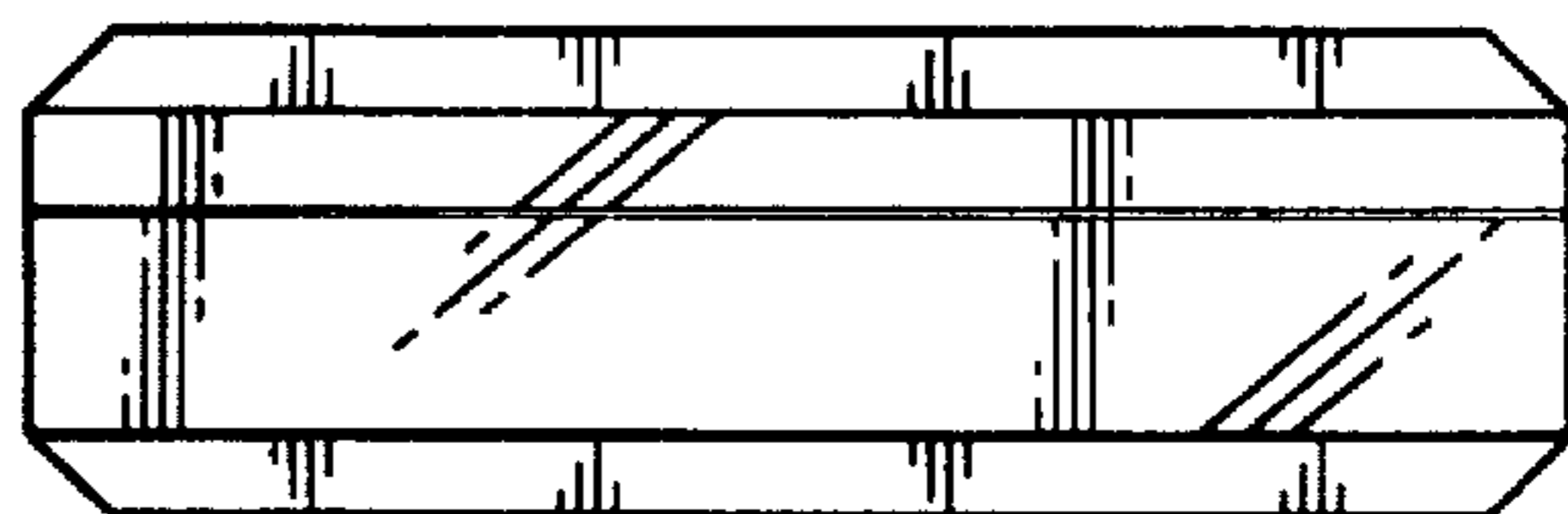


FIG. 7



FIG. 2

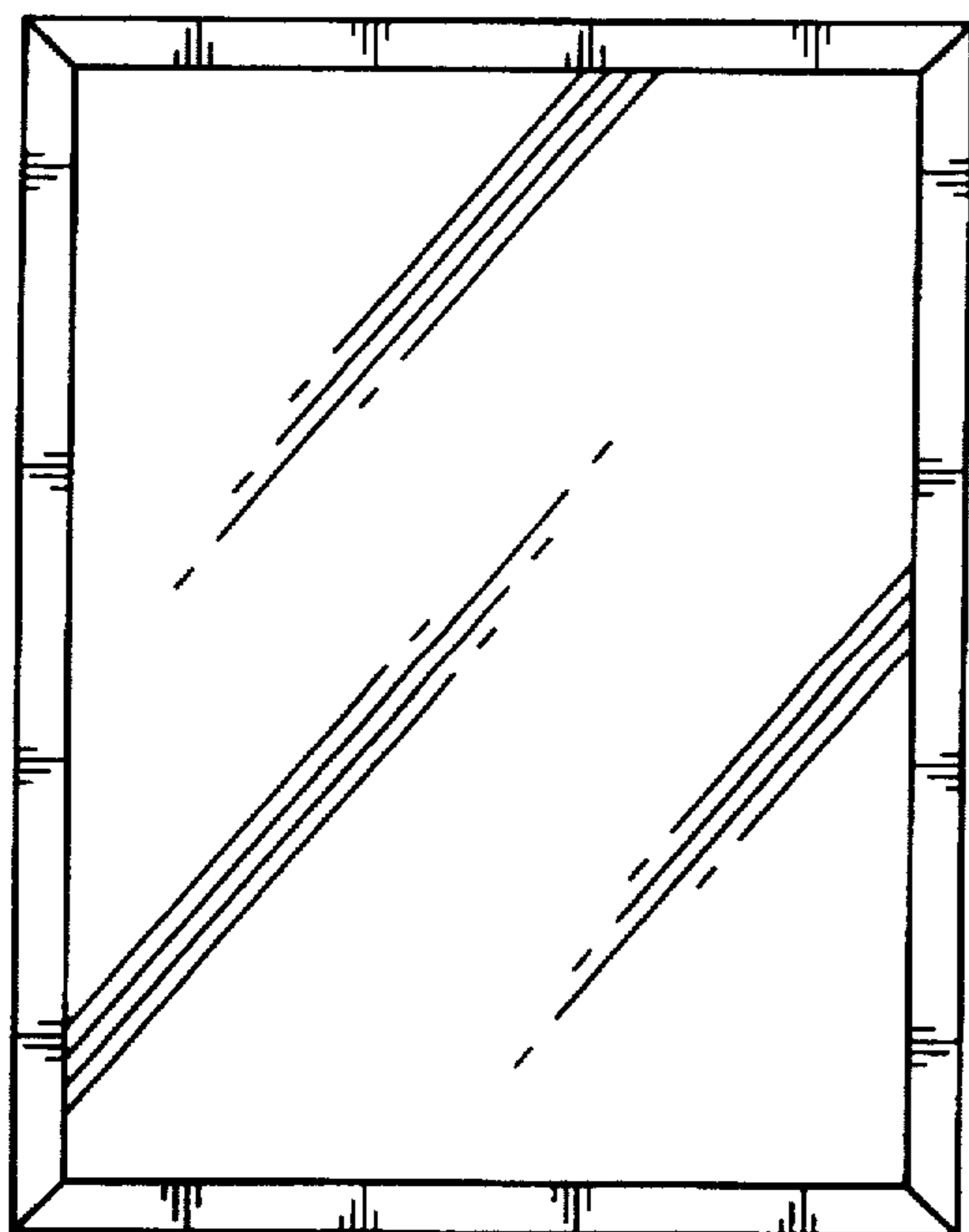


FIG. 3

