



US00D394958S

# United States Patent [19]

Polzin et al.

[11] Patent Number: **Des. 394,958**

[45] Date of Patent: **\*\*Jun. 9, 1998**

[54] **STAIN AND VARNISH APPLICATOR**

[75] Inventors: **Bruce C. Polzin**, Greendale; **Kenneth L. Shehow**, Milwaukee; **Mark T. Sterwald**, Manitowoc; **William W. Barton**, Greendale, all of Wis.

[73] Assignee: **Newell Operating Company**, Freeport, Ill.

[\*\*] Term: **14 Years**

[21] Appl. No.: **42,545**

[22] Filed: **Aug. 11, 1995**

[51] LOC (6) Cl. .... **04-04**

[52] U.S. Cl. .... **D4/137; D32/52**

[58] Field of Search ..... D4/130, 137; D32/52; 15/143.1, 159.1, 160, 209.1, 210.1, 210.5, 235.4, 244.1, 229.11

[56] **References Cited**

**U.S. PATENT DOCUMENTS**

D. 230,205 1/1974 Seip ..... D4/137

2,156,270	5/1939	Smith .....	15/209.1
3,708,821	1/1973	Chase et al. ....	15/210.1
3,736,616	6/1973	Seip .....	15/210.1
5,134,745	8/1992	Burns et al. ....	15/210.1

*Primary Examiner*—Alan P. Douglas  
*Assistant Examiner*—Lavone D. Tabor  
*Attorney, Agent, or Firm*—Foley & Lardner

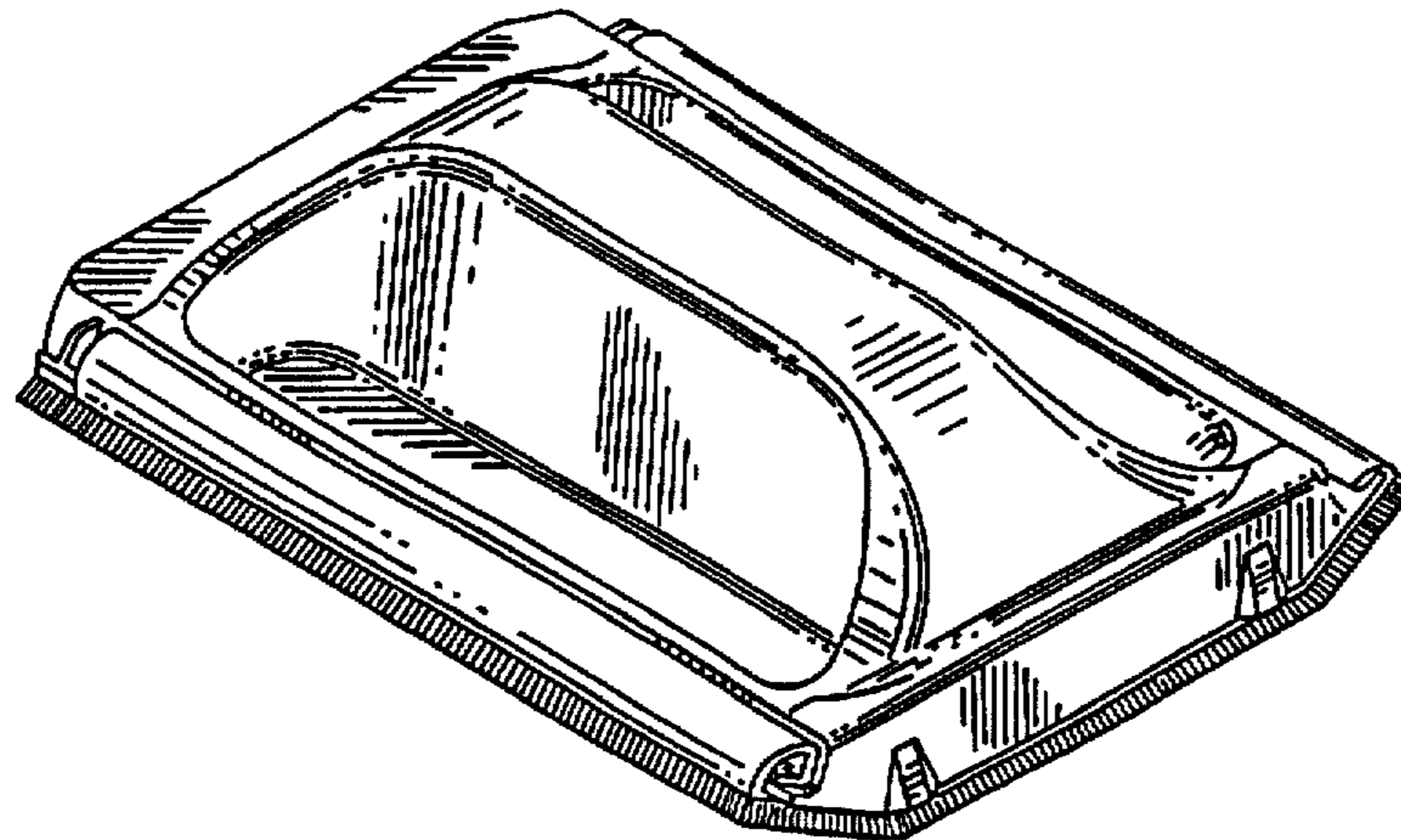
[57] **CLAIM**

The ornamental design for a stain and varnish applicator, as shown and described.

**DESCRIPTION**

FIG. 1 is a top perspective view of a stain and varnish applicator showing our new design; FIG. 2 is a top plan view thereof; FIG. 3 is a left end elevational view thereof; FIG. 4 is a right end elevational view thereof; FIG. 5 is a front elevational view thereof, the rear elevational view thereof being a mirror image; and FIG. 6 is a bottom plan view thereof.

**1 Claim, 2 Drawing Sheets**



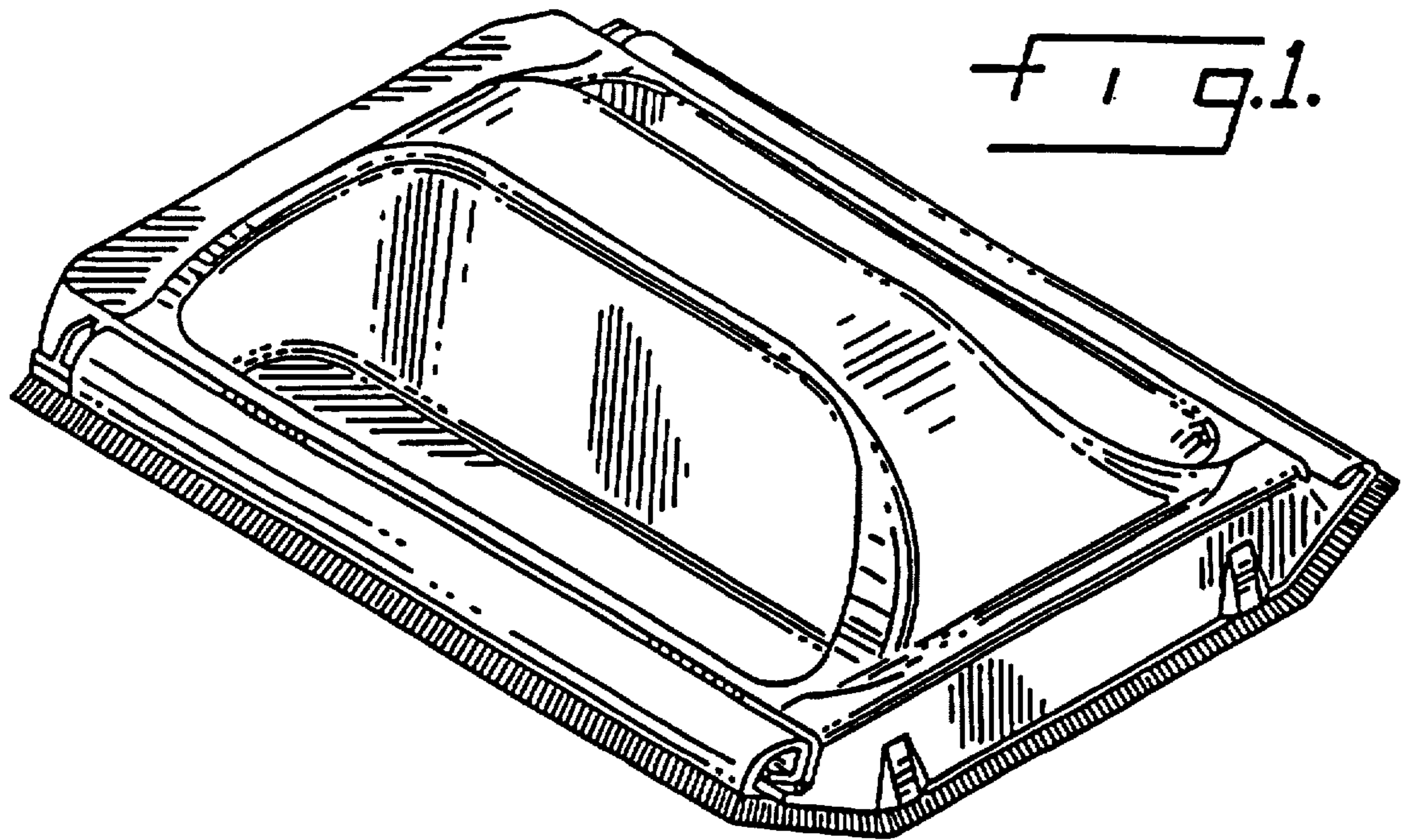


FIG. 1.

FIG. 2.

