



US00D394954S

United States Patent [19]
Ward

[11] **Patent Number:** **Des. 394,954**
[45] **Date of Patent:** ****Jun. 9, 1998**

[54] **PORTABLE OPERATION CENTER**

4,856,627 8/1989 Polatov 190/11
5,437,367 8/1995 Martin 206/320

[76] **Inventor:** **C. Gino Ward**, 901 N. Pitt. St., Suite
370, Alexandria, Va. 22314

Primary Examiner—Philip S. Hyder
Attorney, Agent, or Firm—Steven Kreiss

[**] **Term:** **14 Years**

[57] **CLAIM**

[21] **Appl. No.:** **60,690**

The ornamental design for a portable operation center, as shown and described.

[22] **Filed:** **Oct. 4, 1996**

[51] **LOC (6) Cl.** **03-01**

[52] **U.S. Cl.** **D3/274**

[58] **Field of Search** D3/274, 294; 206/320,
206/576, 305; 190/11, 100, 107, 900, 110,
111

DESCRIPTION

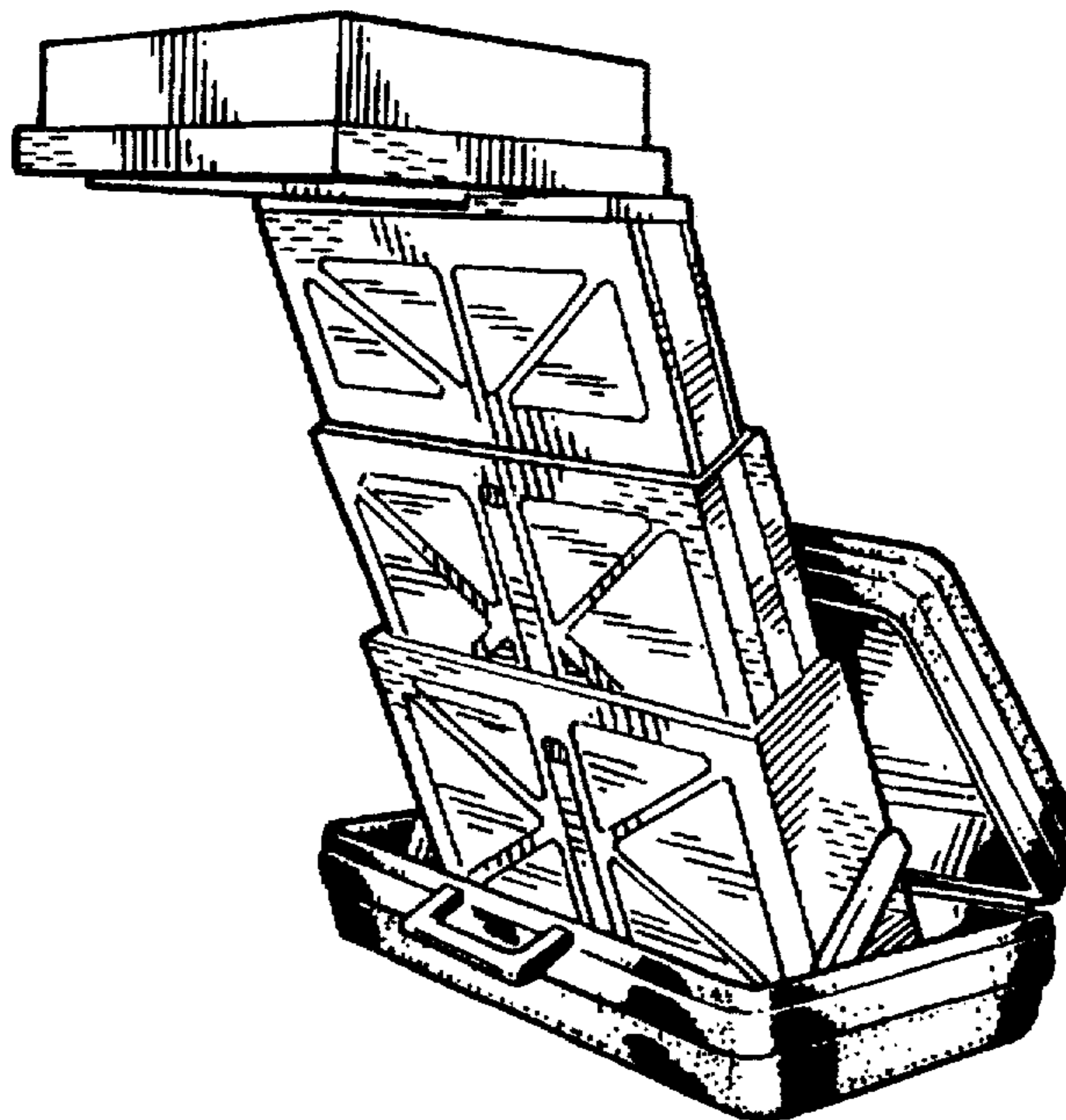
FIG. 1 is a top perspective view of a portable operation center showing my new design;
FIG. 2 is a front and right side perspective view thereof;
FIG. 3 is a bottom perspective view thereof;
FIG. 4 is a another front and right side perspective view thereof; and,
FIG. 5 is an enlarged rear and right side perspective view thereof.

[56] **References Cited**

U.S. PATENT DOCUMENTS

D. 230,232 2/1974 Howard D3/274
4,595,086 6/1986 Simpson 190/100

1 Claim, 3 Drawing Sheets



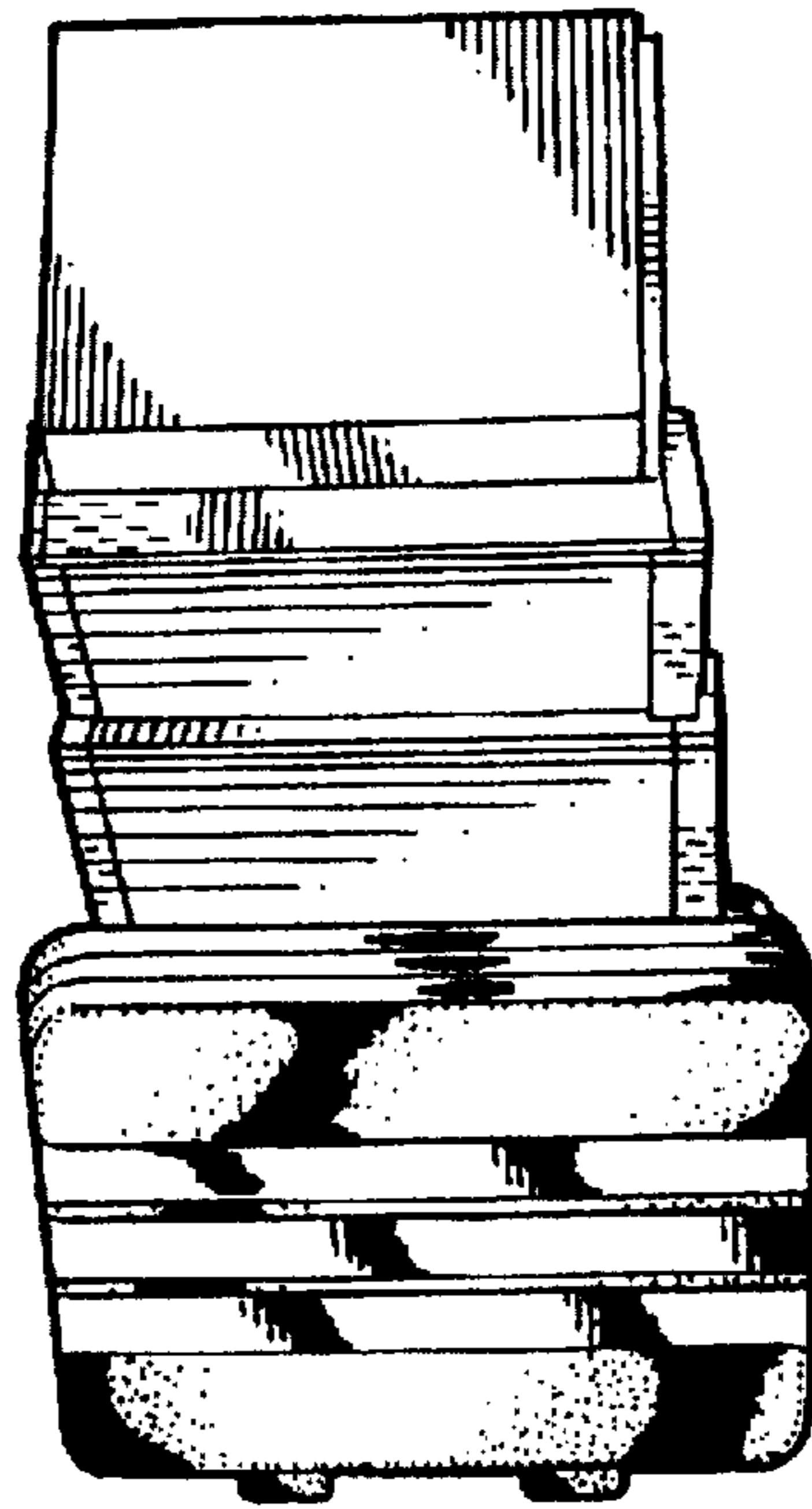


FIG. 1

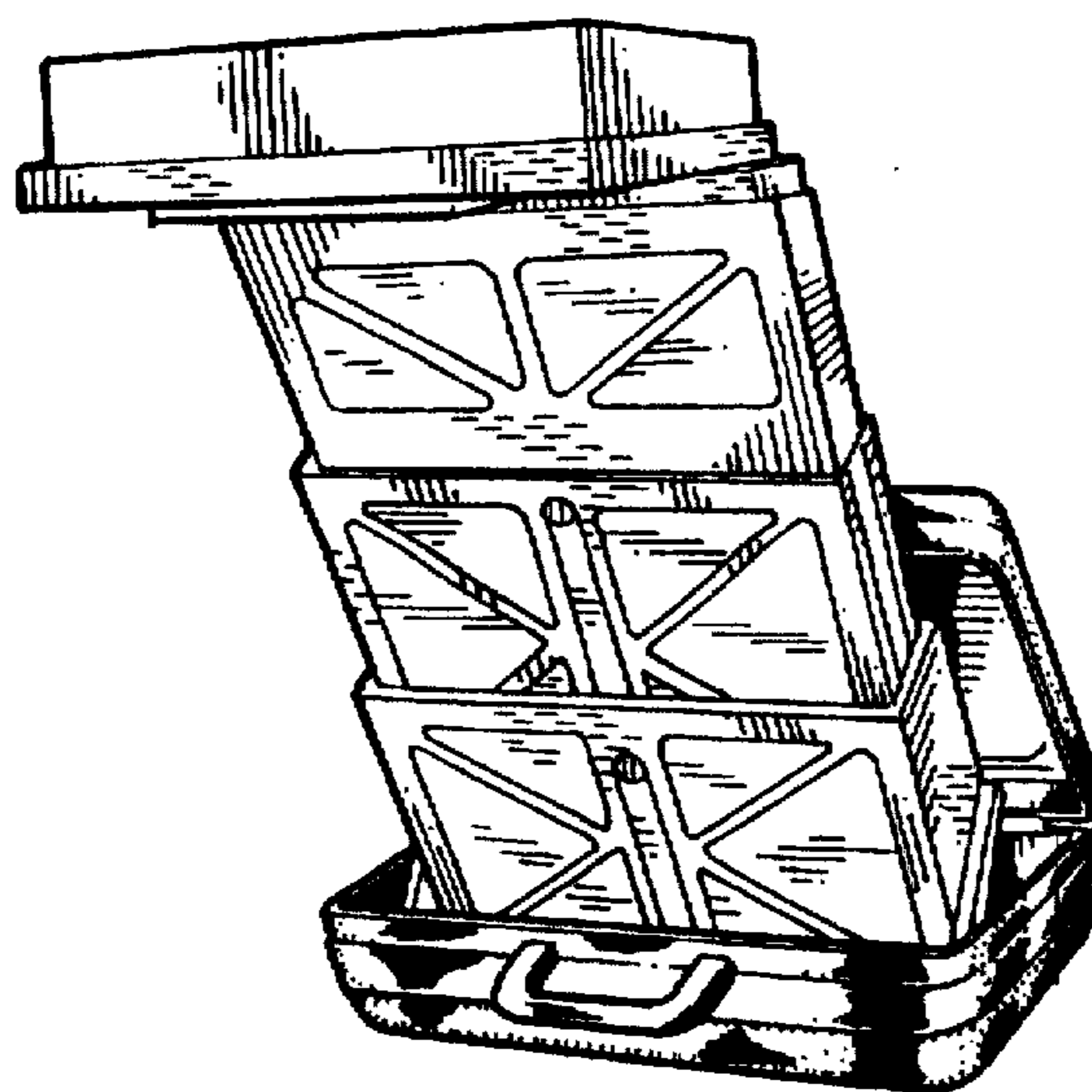


FIG. 2

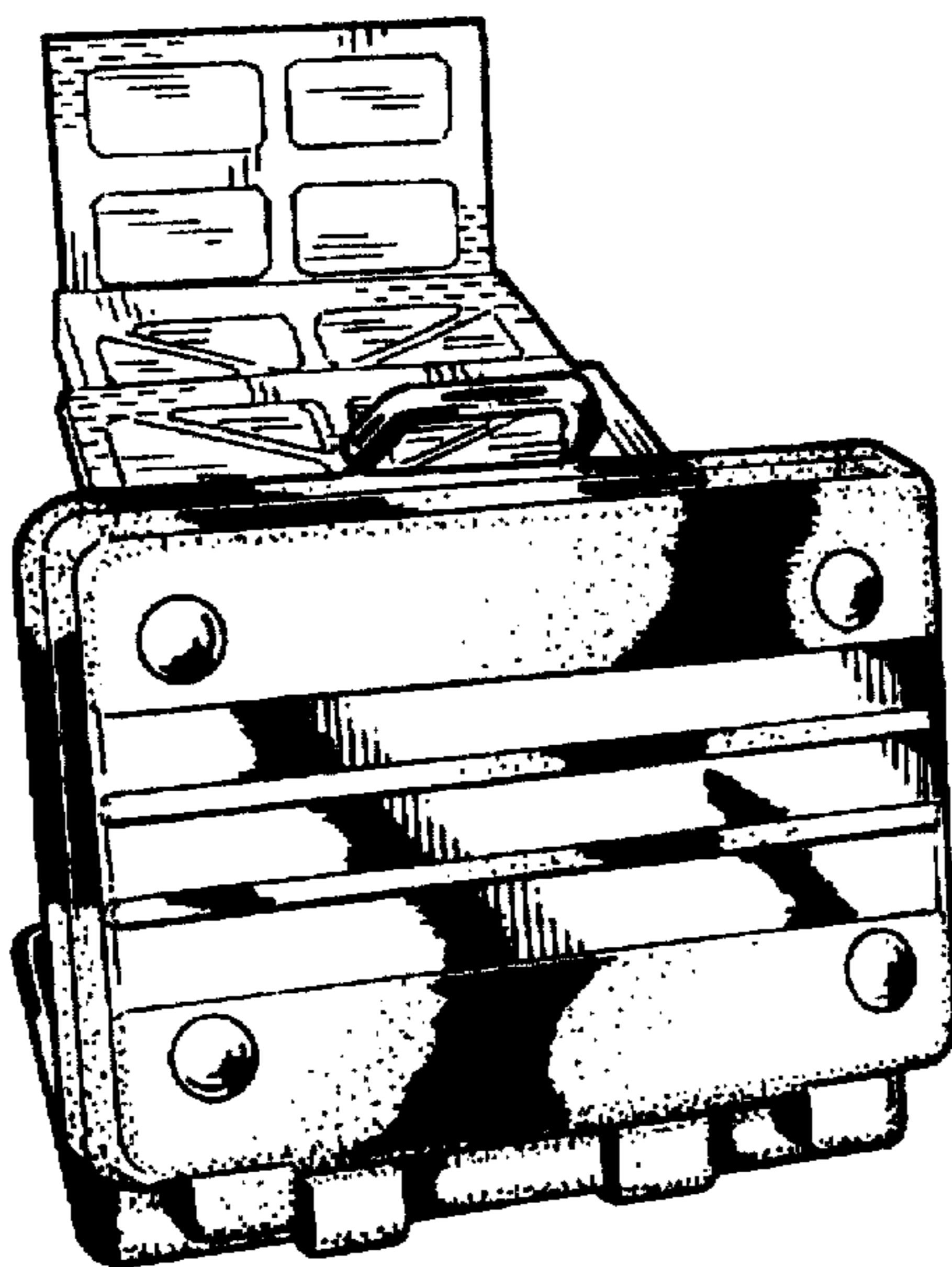


FIG. 3

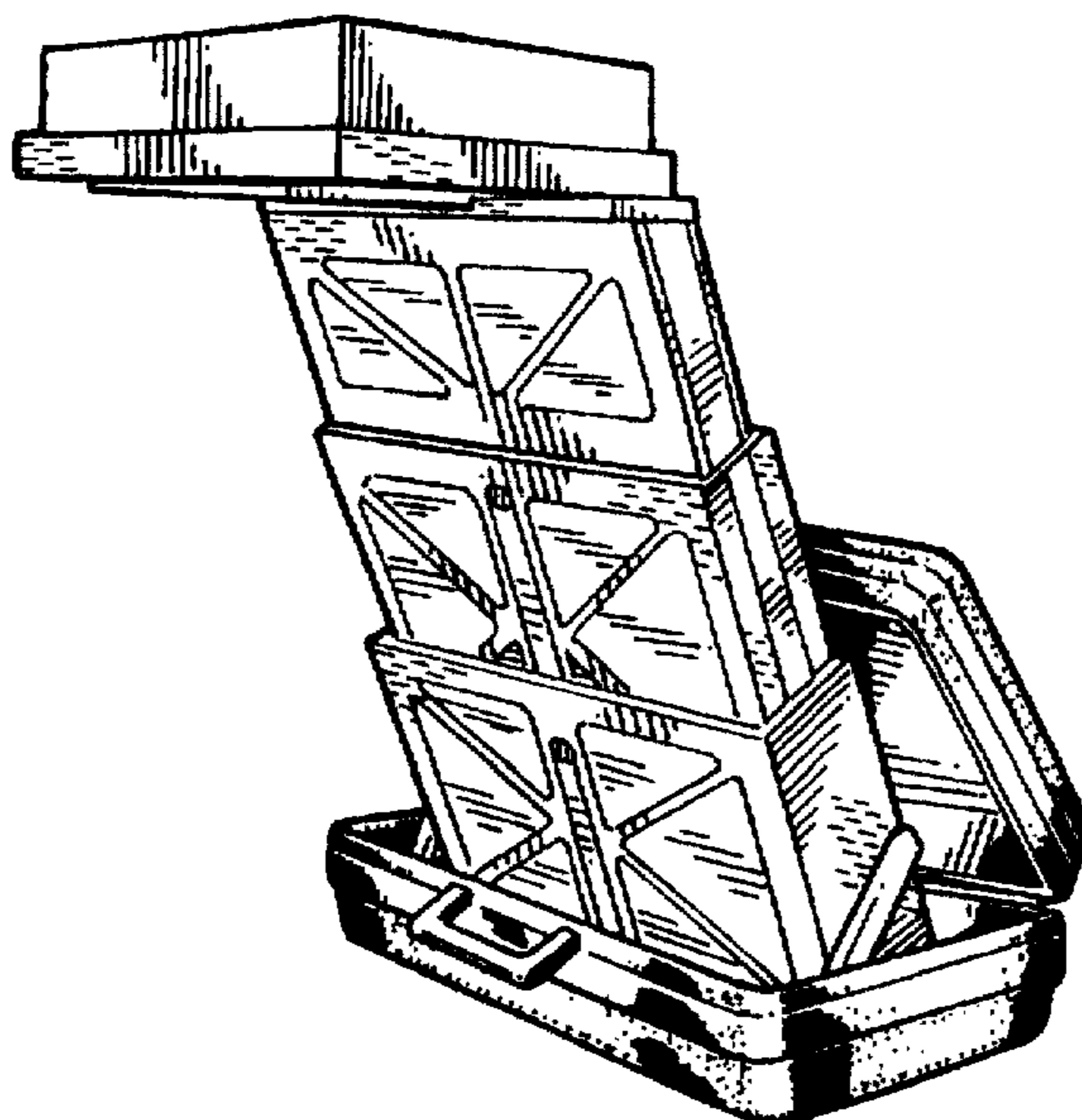


FIG. 4

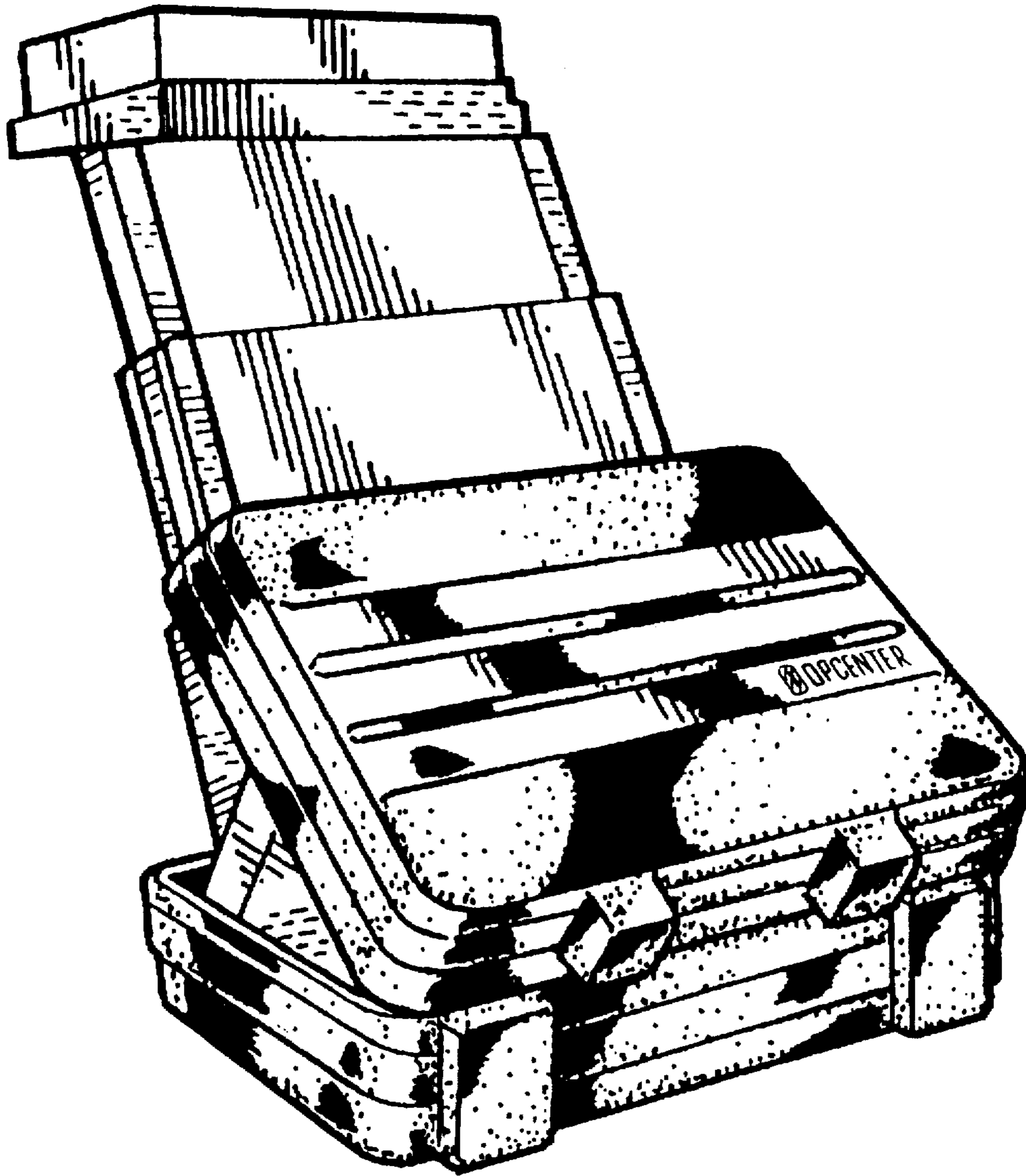


FIG. 5