

US00D394939S

United States Patent [19]

[11] Patent Number: **Des. 394,939**

Avar

[45] Date of Patent: ****Jun. 9, 1998**

[54] **SURFACE PORTION OF A SHOE OUTSOLE**

[75] Inventor: **Eric P. Avar**, Aloha, Oreg.

[73] Assignee: **Nike, Inc.**, Beaverton, Oreg.

[**] Term: **14 Years**

[21] Appl. No.: **55,482**

[22] Filed: **Jun. 6, 1996**

[51] **LOC (6) Cl.** **02-04**

[52] **U.S. Cl.** **D2/955**

[58] **Field of Search** D2/897, 902, 906, D2/908, 914, 916, 919, 946-960, 962, 964; 36/85, 101, 103, 104, 106, 107, 113-115, 124, 126, 127-130, 3 B, 11.5, 12-15, 22 R, 25 R, 30 R, 32 R, 32 A, 33, 172

Nike Spring 1996 Footwear Catalog, p. 28, published Jun. 1995.

Nike Fall 1996 Footwear Catalog, pp. 120, 168, published Dec. 1995.

Nike Holiday 1996 Footwear Catalog, pp. 22, 23, 28, 136, published Mar. 1996.

Primary Examiner—Louis S. Zarfes
Attorney, Agent, or Firm—Banner & Witcoff, Ltd.

[57] CLAIM

The ornamental design for a surface portion of shoe outsole, as shown and described.

DESCRIPTION

FIG. 1 is a bottom plan view of a portion of a surface portion of a shoe outsole showing my new design;

FIG. 2 is an enlarged profile view taken generally along line 2—2 of FIG. 1;

FIG. 3 is an enlarged profile view taken generally along line 3—3 of FIG. 1;

FIG. 4 is a profile view taken generally along line 4—4 of FIG. 1; and,

FIG. 5 is a perspective view of the surface portion of a shoe outsole of FIG. 1.

The broken line showing of the remainder of the shoe outsole is for illustration purposes only and forms no part of the claimed design.

[56] References Cited

U.S. PATENT DOCUMENTS

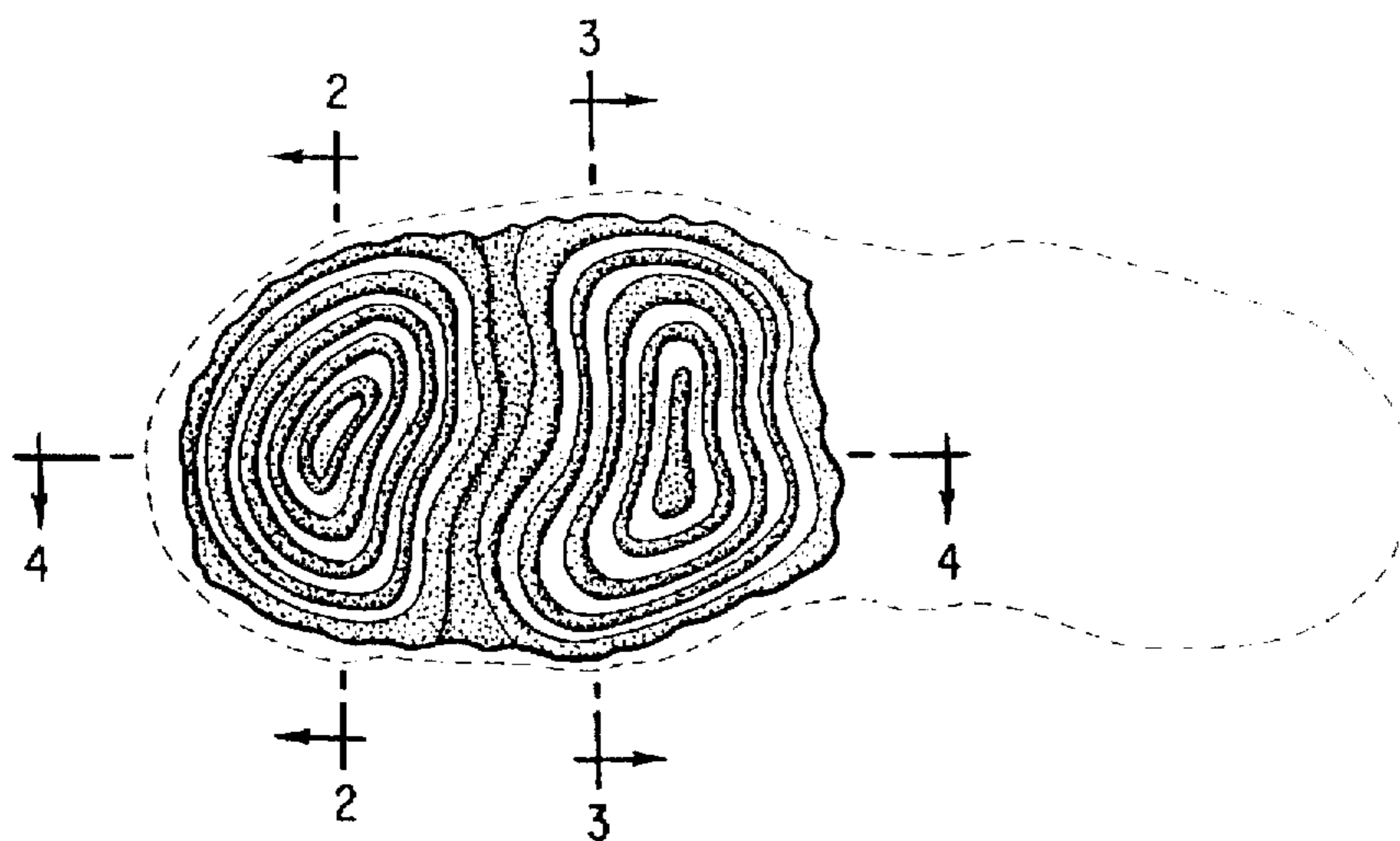
D. 259,595	6/1981	Famolare, Jr. .	
D. 294,076	2/1988	Biritella	D2/918
D. 308,747	6/1990	Brinker .	
D. 309,370	7/1990	Nagal et al. .	
D. 310,132	8/1990	Hase .	
D. 369,895	5/1996	Finn	D2/959
2,155,166	4/1939	Kraft	36/598
4,571,852	2/1986	Lamarche et al. .	
4,777,738	10/1988	Glese et al. .	
5,203,097	4/1993	Blair	36/59 C

OTHER PUBLICATIONS

Nike Fall 1995 Footwear Catalog, pp. 24, 32, 34, published Nov. 1994.

Nike Holiday 1995 Footwear Catalog, pp. 13, 15, published Mar. 1995.

1 Claim, 2 Drawing Sheets



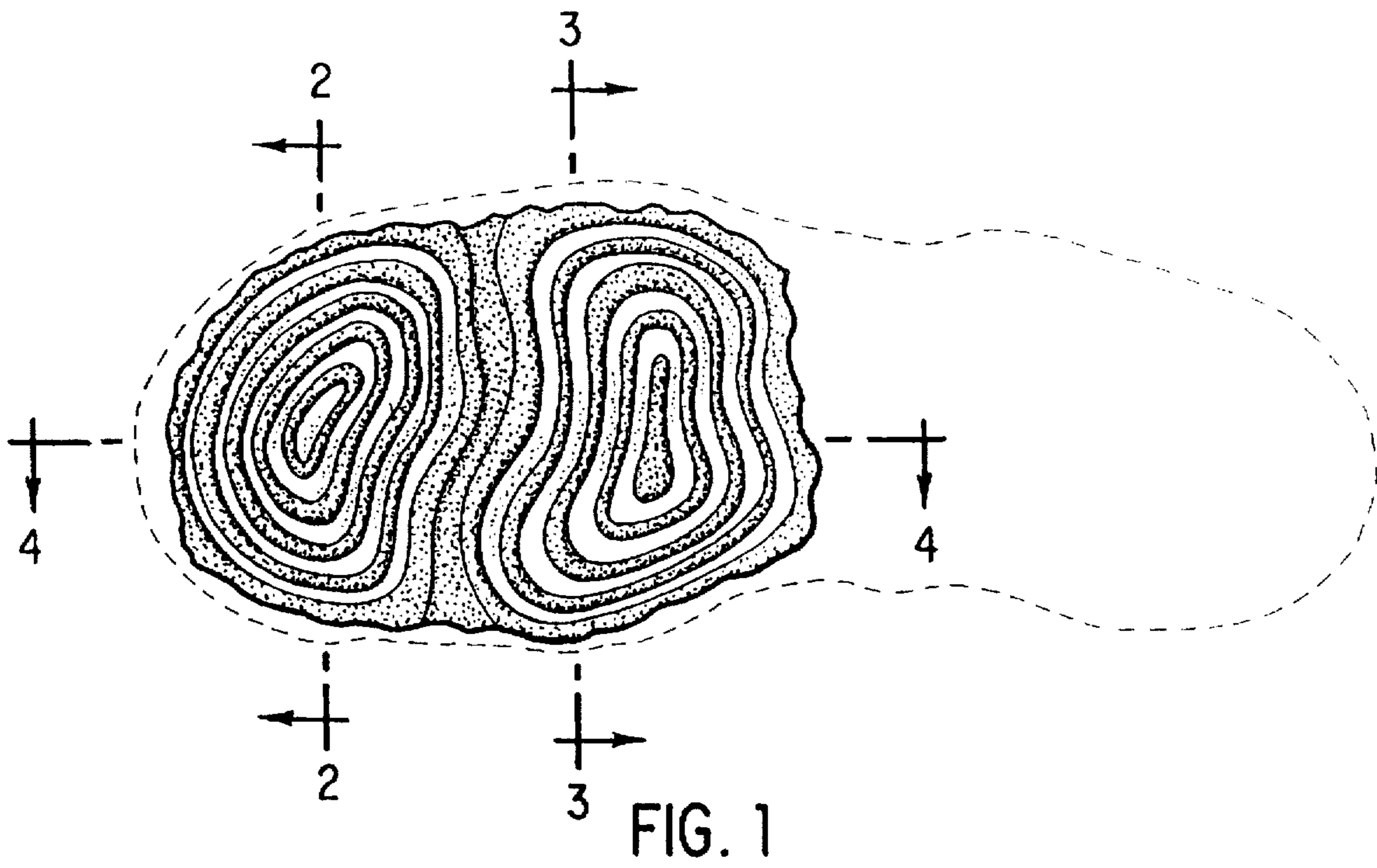


FIG. 2



FIG. 3



FIG. 4



FIG. 5