



US00D394936S

United States Patent [19]
Oetken

[11] **Patent Number:** **Des. 394,936**
[45] **Date of Patent:** ****Jun. 9, 1998**

[54] **CARE-GIVER'S VEST**
[76] **Inventor:** **Rocky W. Oetken, 4035 SW. Advance Rd., Wilsonville, Oreg. 97070**
[**] **Term:** **14 Years**
[21] **Appl. No.:** **69,994**
[22] **Filed:** **Apr. 24, 1997**
[51] **LOC (6) Cl.** **02-02**
[52] **U.S. Cl.** **D2/864; D2/860; D2/861**
[58] **Field of Search** **D2/860, 861, 862, D2/863, 864; 2/46, 48, 49.1, 49.2, 50, 51, 67, 74, 75, 88, 104, 102, 406**

5,056,159 10/1991 Zemke, Jr. .
5,062,158 11/1991 Oka et al. .
5,090,059 2/1992 Kahl .
5,101,515 4/1992 Holt et al. .
5,195,187 3/1993 Yang .
5,201,073 4/1993 Spanier 2/49.2
5,289,959 3/1994 Beeley et al. .
5,361,412 11/1994 Perry .
5,365,614 11/1994 Perkins .
5,504,941 4/1996 Sell .
5,509,141 4/1996 Saltzman 2/49.2
5,530,968 7/1996 Crockett .

FOREIGN PATENT DOCUMENTS

417834 3/1991 European Pat. Off. 2/49.1

Primary Examiner—Louis S. Zarfaz
Assistant Examiner—Monica A. Weingart
Attorney, Agent, or Firm—Robert D. Varitz

[56] **References Cited**

U.S. PATENT DOCUMENTS

D. 242,503 11/1976 Derifield D2/864
D. 350,220 9/1994 Lindy D2/861 X
2,066,072 12/1936 Powell .
2,293,444 8/1942 Muccillo 2/102
2,440,666 4/1948 Miller .
2,884,638 5/1959 Ream 2/48
4,601,065 7/1986 Sigl et al. .
4,660,226 4/1987 Quilling et al. .
4,669,127 6/1987 Swanson .
4,710,979 12/1987 Bull et al. .
4,780,911 11/1988 Mack 2/49.1
4,924,528 5/1990 Trombetti-Dickens .

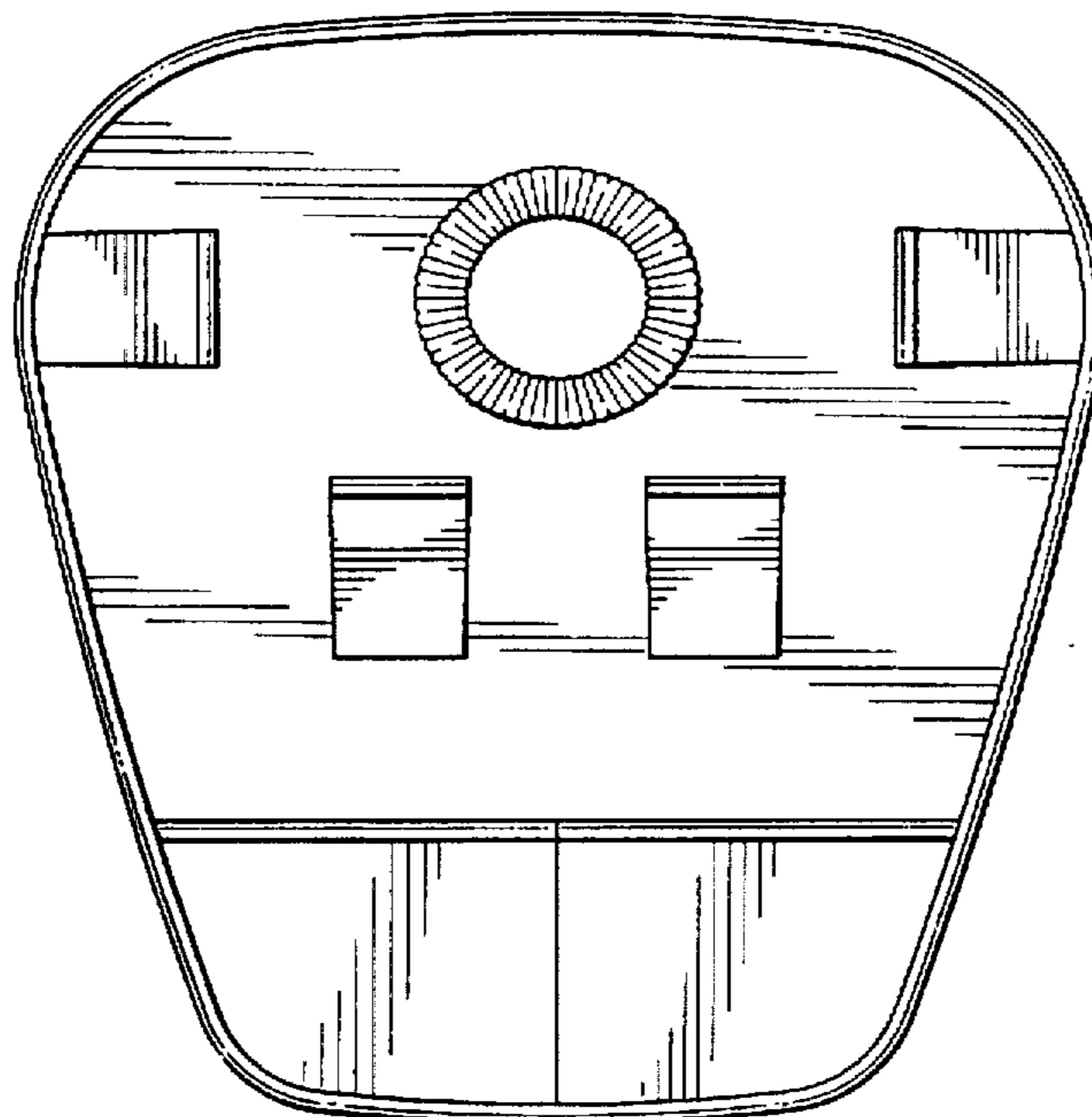
[57] **CLAIM**

The ornamental design for care-giver's vest, as shown and described.

DESCRIPTION

FIG. 1 is a front elevation of an ornamental design for a care-giver's vest showing my new design; FIG. 2 is a side plan view thereof; and, FIG. 3 is a rear elevation thereof.

1 Claim, 1 Drawing Sheet



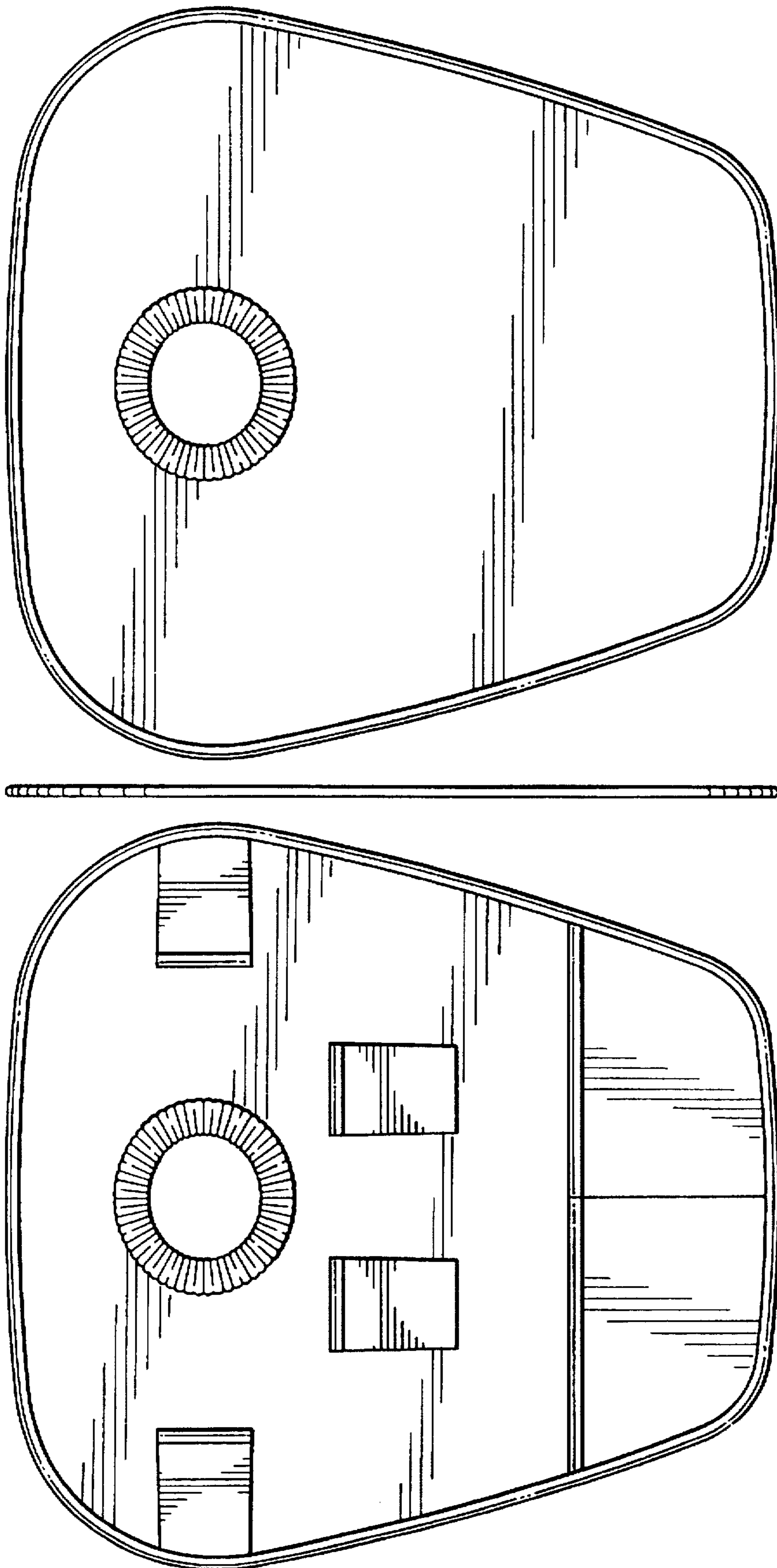


FIG. 3

FIG. 2

FIG. 1