

US00D394934S

United States Patent [19]

Mendez

[11] Patent Number: **Des. 394,934**

[45] Date of Patent: ****Jun. 2, 1998**

[54] **LEAF BAG HOLDER**

[76] Inventor: **Jorge T. Mendez**, 12650 Co. Rd. 8010, Rolla, Mo. 65401

[**] Term: **14 Years**

[21] Appl. No.: **72,954**

[22] Filed: **Jun. 26, 1997**

[51] LOC (6) Cl. **09-09**

[52] U.S. Cl. **D34/6**

[58] Field of Search D34/1, 5-7; 220/403-4, 220/908-911; 248/95, 97, 99

[56] **References Cited**

U.S. PATENT DOCUMENTS

D. 318,940	8/1991	McIntyre	D34/6
4,318,521	3/1982	Martin et al.	248/99
4,615,743	10/1986	Bylenga	248/99

5,149,028	9/1992	Blackaby et al.	D34/5
5,183,339	2/1993	Williams	248/99
5,413,394	5/1995	Mitchell	248/99
5,513,822	5/1996	Gould	248/99

Primary Examiner—Alan P. Douglas
Assistant Examiner—Robin V. Taylor

[57] **CLAIM**

The ornamental design for a leaf bag holder, as shown.

DESCRIPTION

FIG. 1 is a perspective view of a leaf bag holder showing my new design;

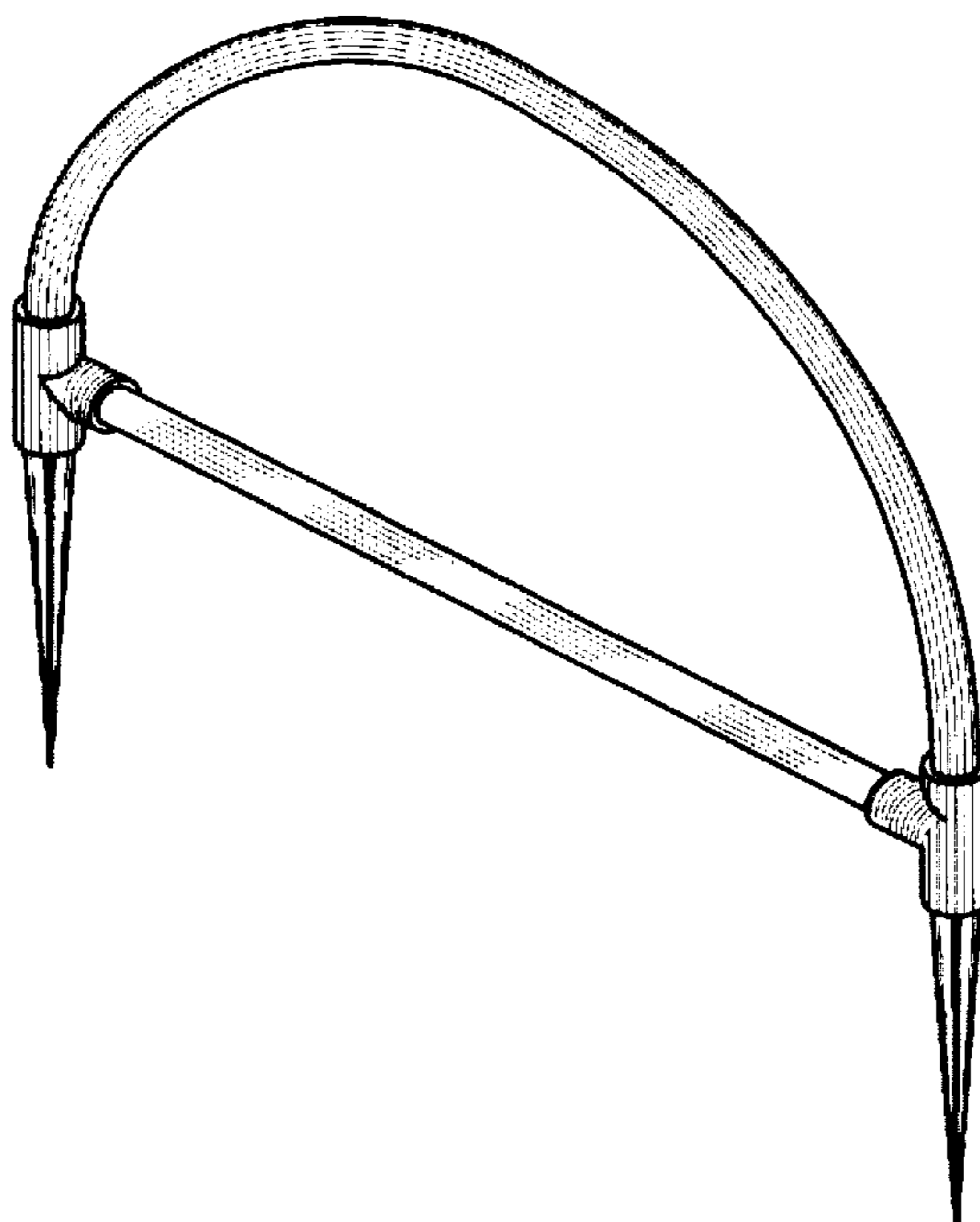
FIG. 2 is a top plan view thereof;

FIG. 3 is a front elevation view thereof;

FIG. 4 is a bottom view thereof; and

FIG. 5 is a side view thereof.

1 Claim, 2 Drawing Sheets



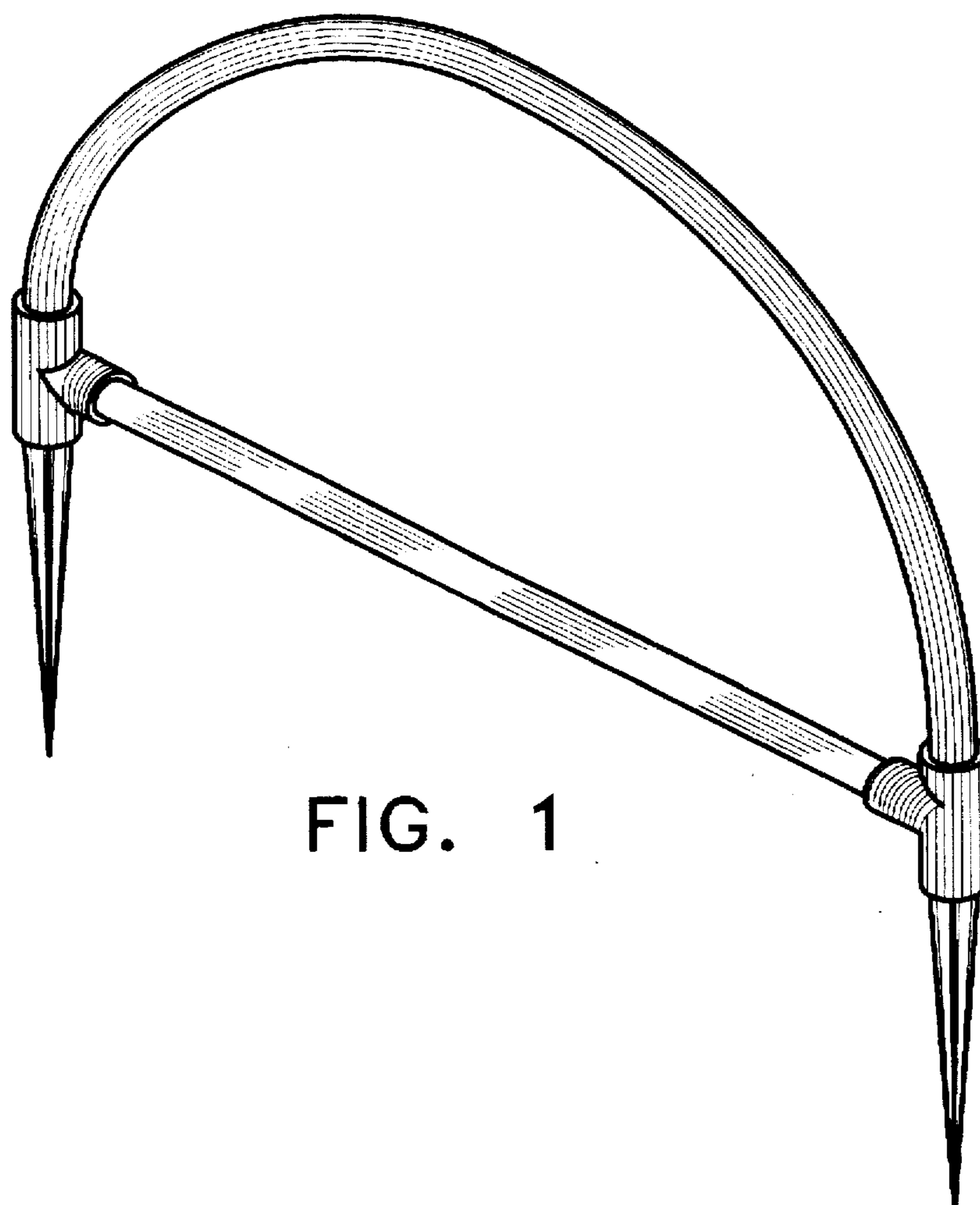


FIG. 1

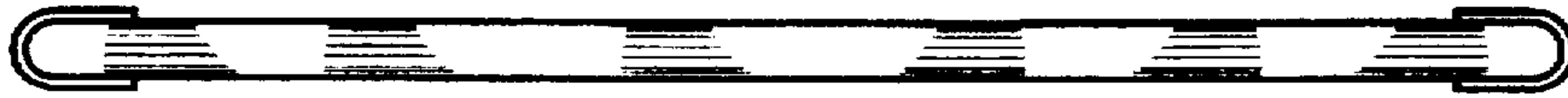


FIG. 2

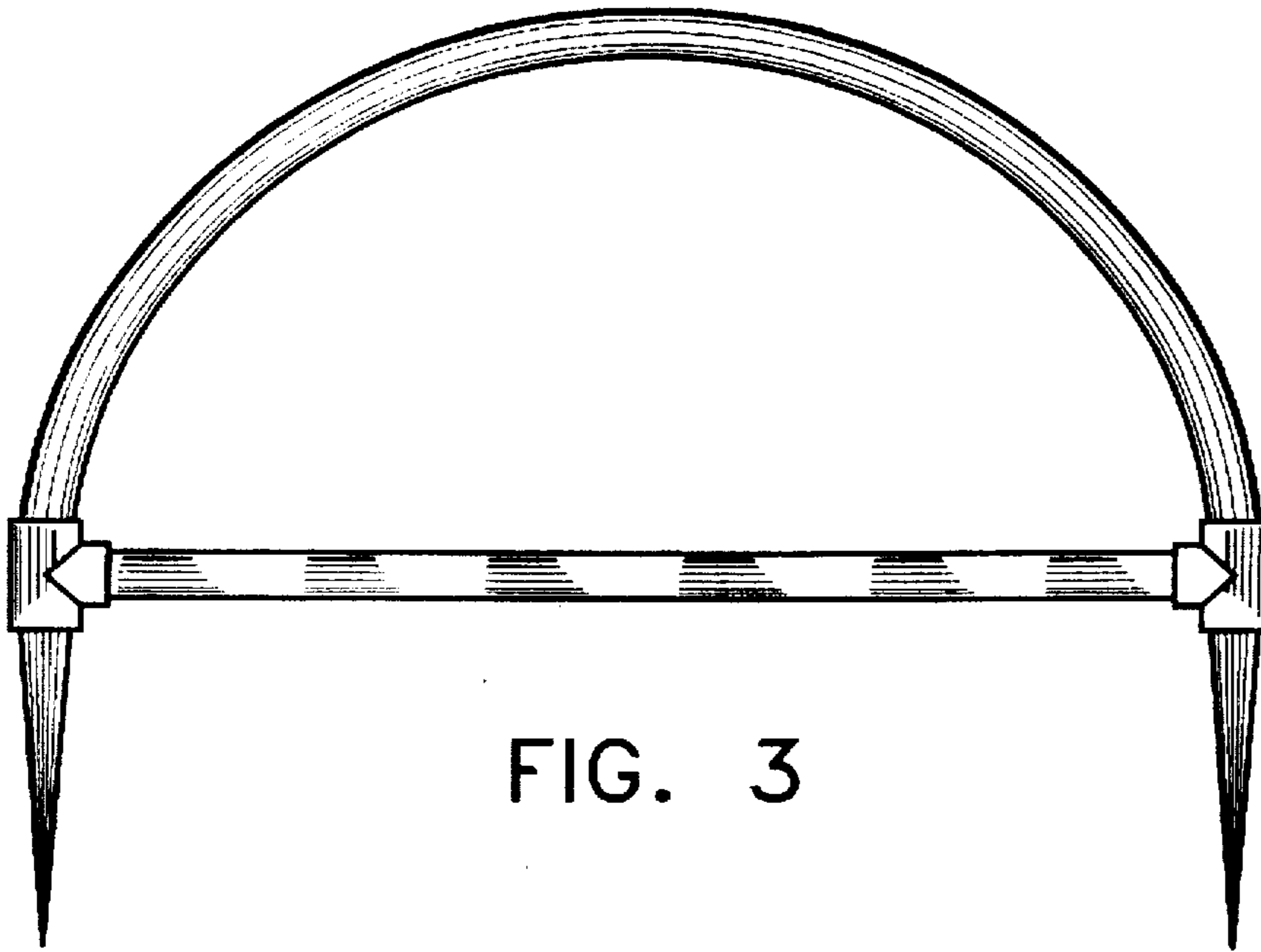


FIG. 3



FIG. 5



FIG. 4