



US00D394931S

United States Patent [19]
Møgster

[11] **Patent Number: Des. 394,931**

[45] **Date of Patent: **Jun. 2, 1998**

[54] **GARBAGE CAN**

[76] **Inventor: Normann Møgster, Holtveien 29B,
1177 Oslo, Norway**

[**] **Term: 14 Years**

[21] **Appl. No.: 61,608**

[22] **Filed: Oct. 25, 1996**

[30] **Foreign Application Priority Data**

Apr. 25, 1996 [NO] Norway D960276

[51] **LOC (6) Cl. 09-09**

[52] **U.S. Cl. D34/5**

[58] **Field of Search D34/1, 5-7, 10,
D34/11; 220/908, 909; D32/37; 232/43.2,
1 R**

[56] **References Cited**

U.S. PATENT DOCUMENTS

D. 124,196 12/1940 Laursen D34/6

D. 263,016 2/1982 Keller D34/1
4,736,915 4/1988 Miller et al. 220/908
4,795,046 1/1989 Rath 220/908

Primary Examiner—Alan P. Douglas
Assistant Examiner—Robin V. Taylor
Attorney, Agent, or Firm—Ladas & Parry

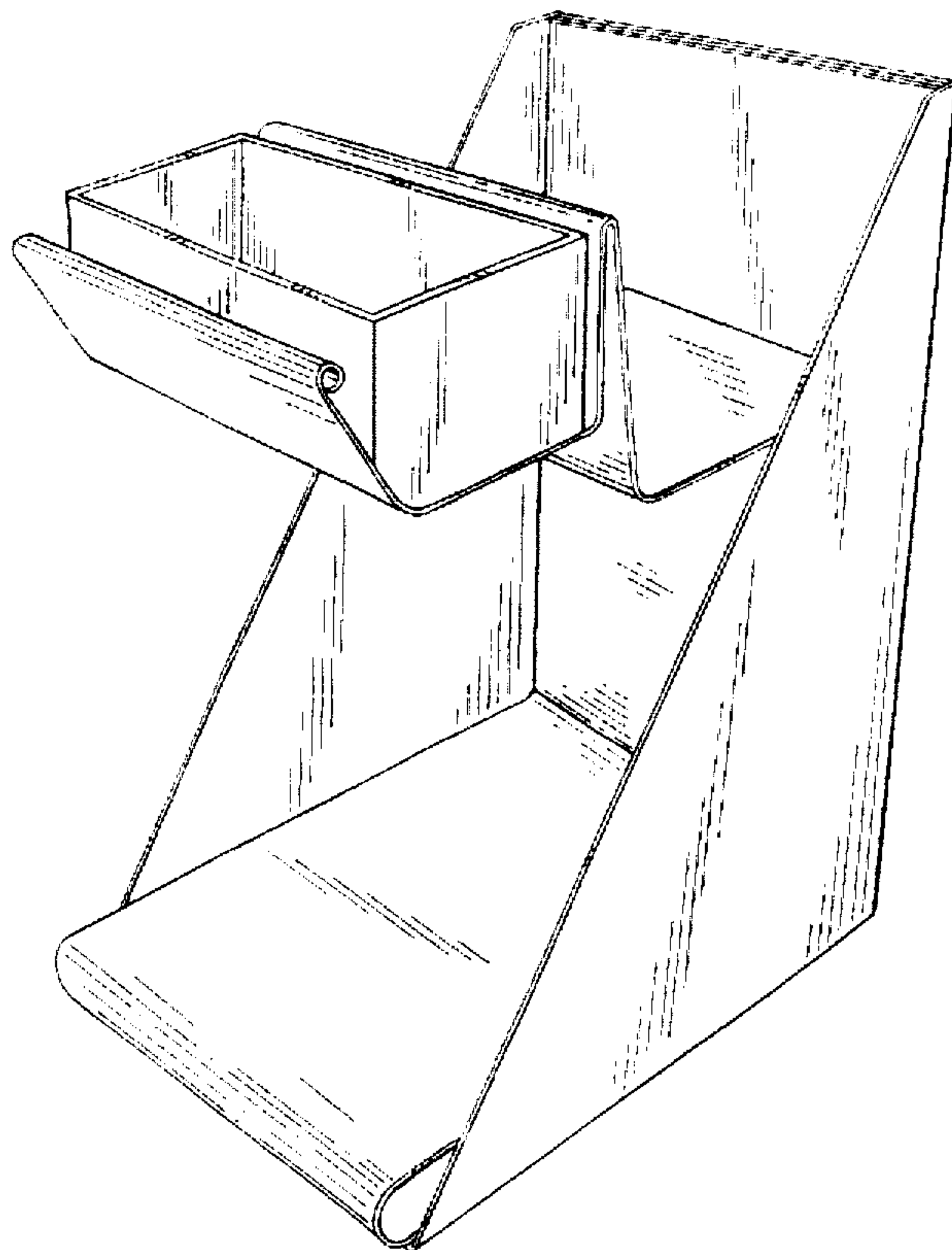
[57] **CLAIM**

The ornamental design for a garbage can, as shown and described.

DESCRIPTION

FIG. 1 is a top/front/right side perspective view of a garbage can showing my new design;
FIG. 2 is a front elevational view thereof;
FIG. 3 is a top plan view thereof;
FIG. 4 is a rear elevational view thereof;
FIG. 5 is a bottom plan view thereof; and,
FIG. 6 is a right side elevational view the left side being a mirror image thereof.

1 Claim, 4 Drawing Sheets



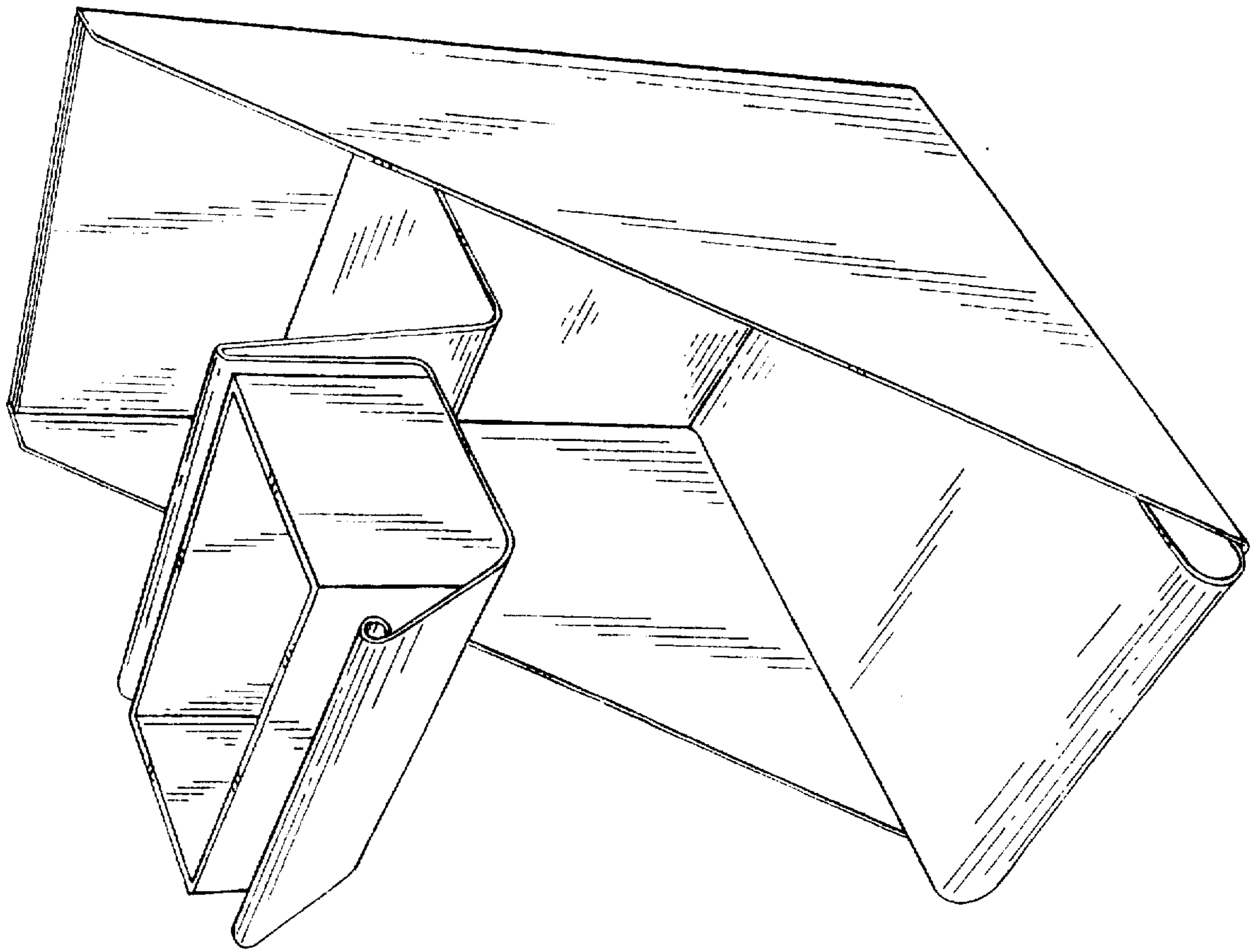


FIG. 1

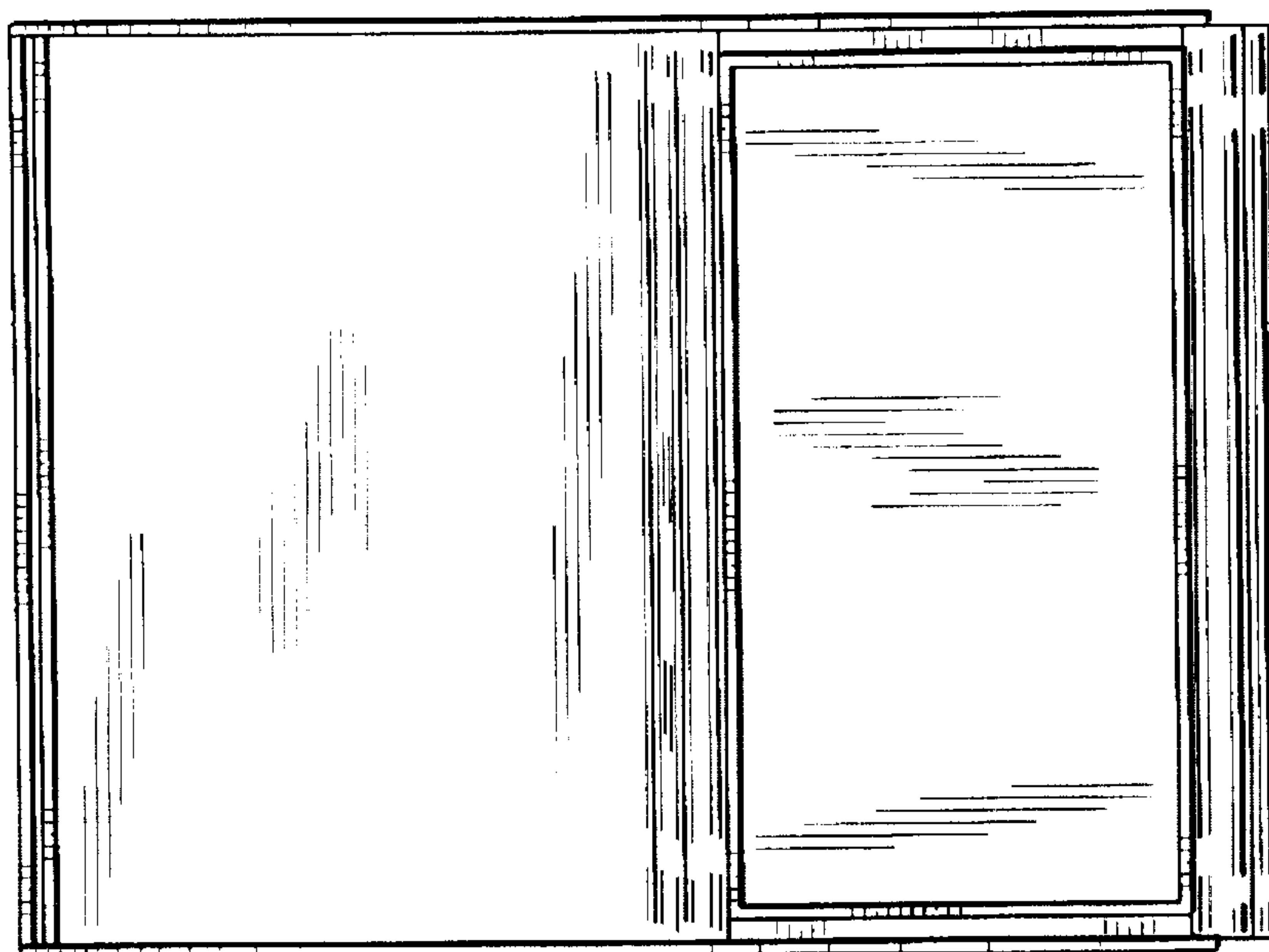


FIG. 3

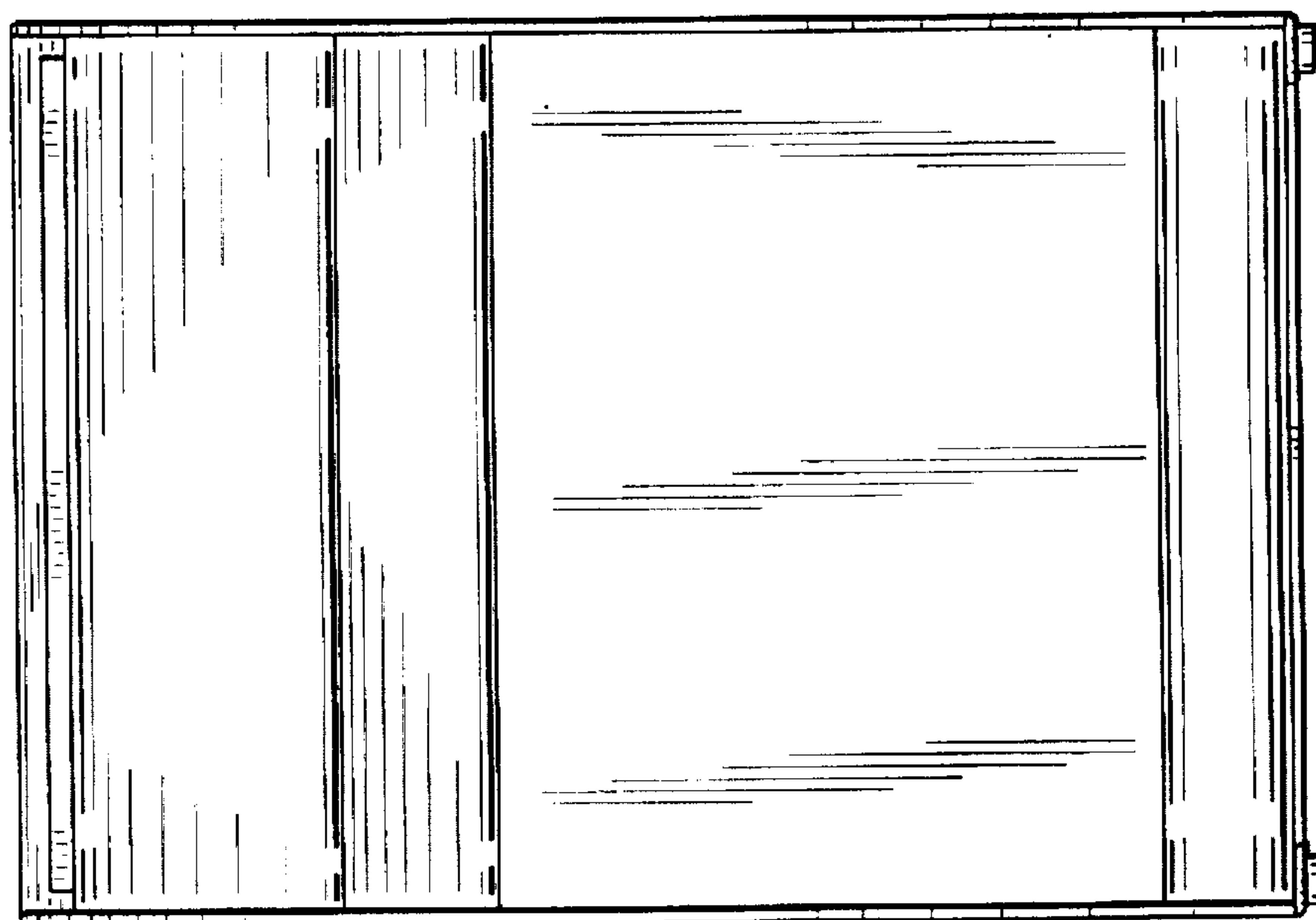


FIG. 2

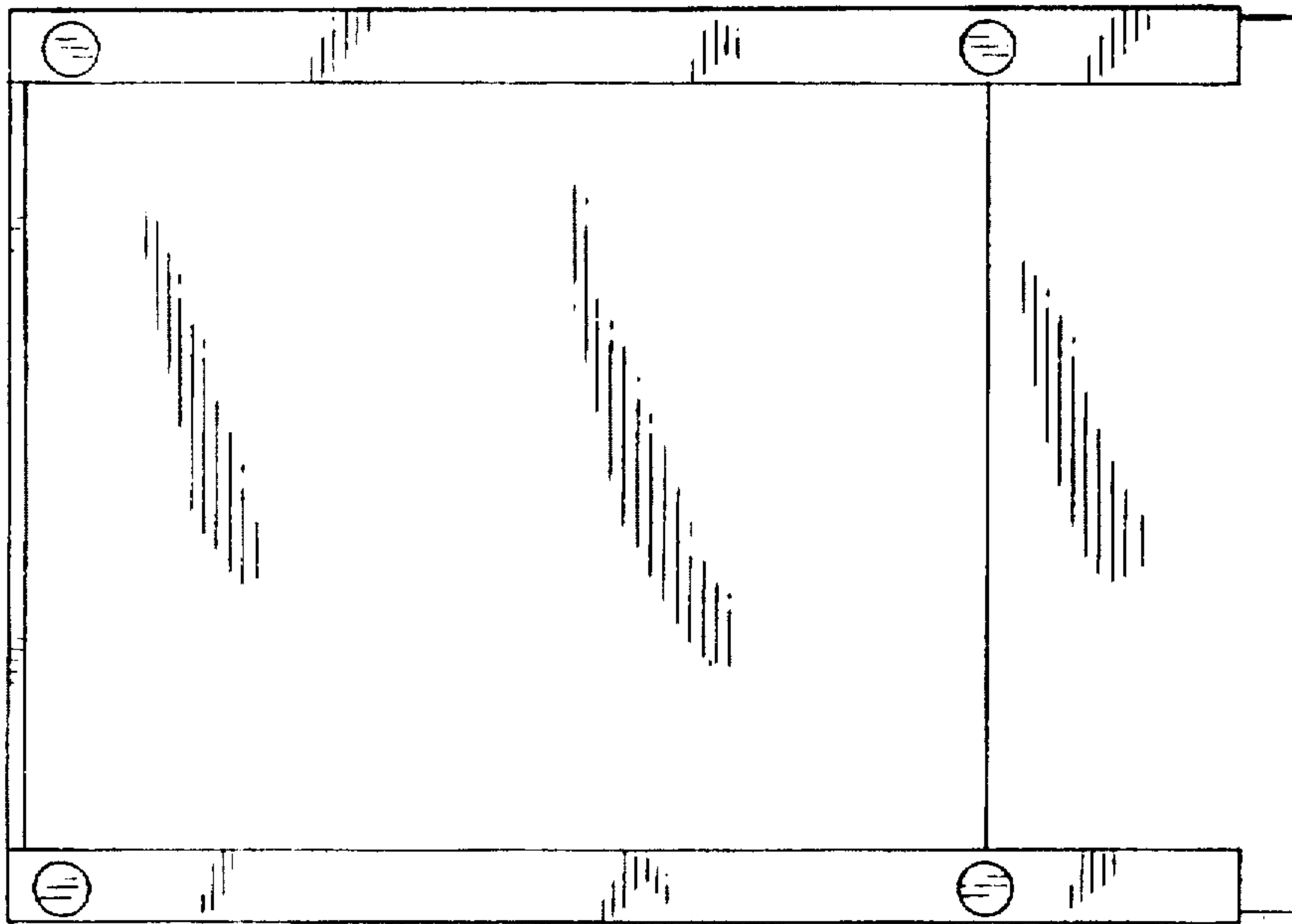


FIG. 5

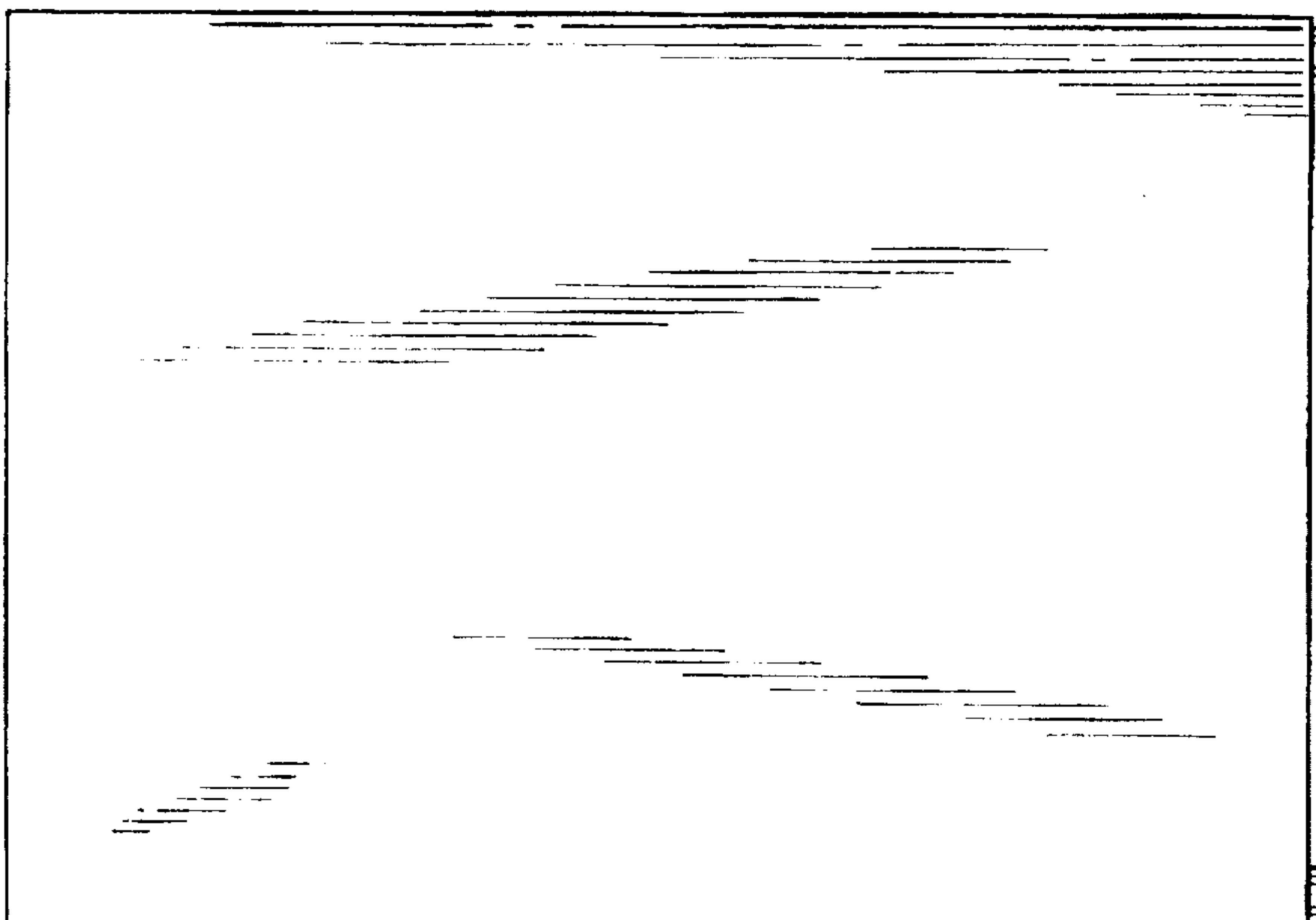


FIG. 4

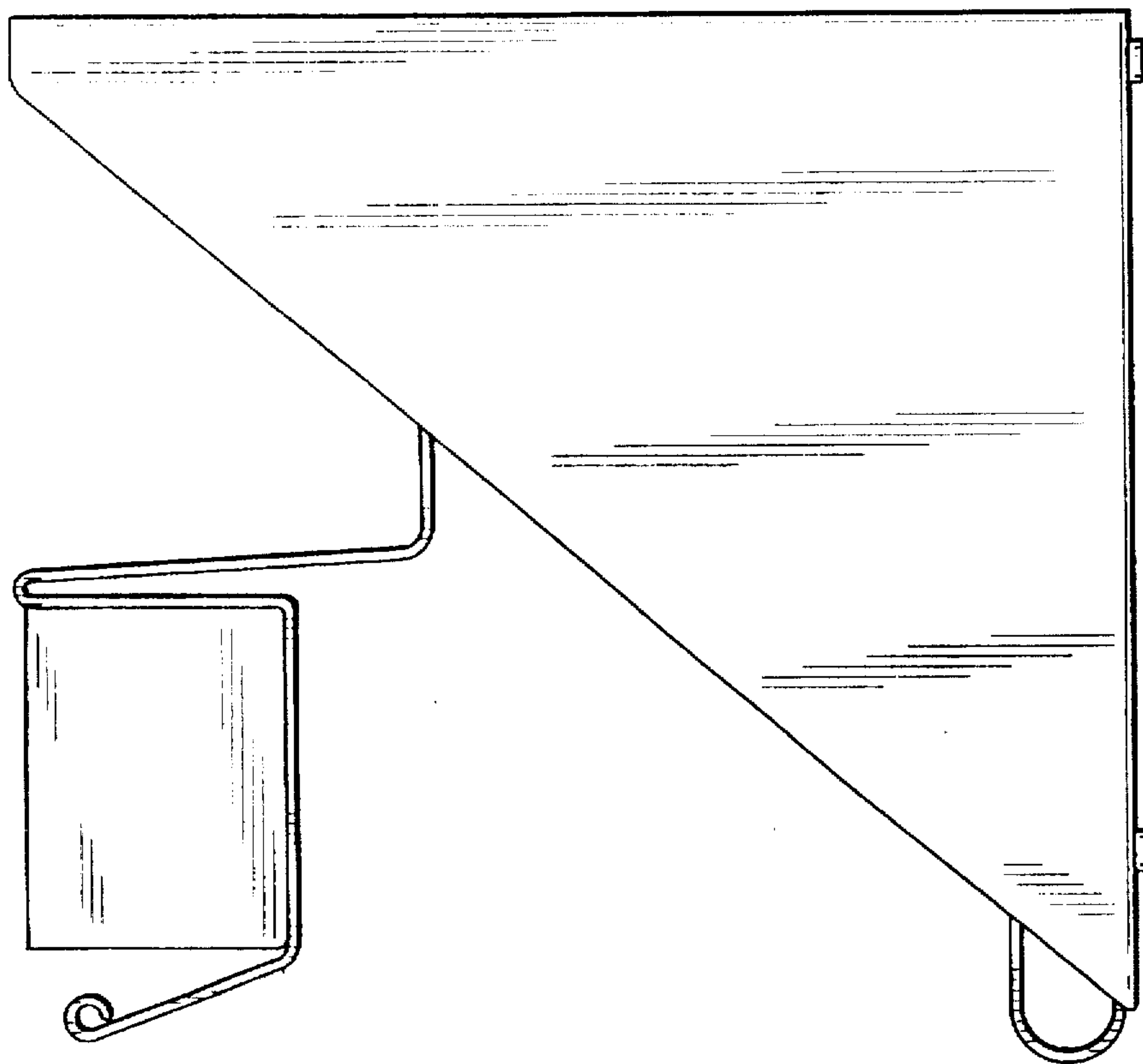


FIG. 6