



US00D394923S

United States Patent [19]

Hellinger et al.

[11] Patent Number: **Des. 394,923**

[45] Date of Patent: ****Jun. 2, 1998**

[54] **ICE SCRAPER**

[75] Inventors: **Gary L. Hellinger**, Greenwich, Conn.;
Edward Wagschal, New York, N.Y.

[73] Assignee: **Hopkins Manufacturing Corporation**,
St. Louis, Mo.

[**] Term: **14 Years**

[21] Appl. No.: **69,726**

[22] Filed: **Apr. 21, 1997**

Related U.S. Application Data

[63] Continuation-in-part of Ser. No. 67,178, Feb. 28, 1997.

[51] LOC (6) Cl. **08-05**

[52] U.S. Cl. **D32/49; D32/46**

[58] Field of Search D32/42, 46, 47,
D32/48, 49; 15/111, 236.01, 236.02, 105;
30/169

[56] References Cited

U.S. PATENT DOCUMENTS

- D. 170,460 9/1953 Hauser .
- D. 230,391 2/1974 Dudte D32/46
- D. 241,498 9/1976 Smith D32/49

- D. 246,414 11/1977 Hopkins et al. D32/46
- D. 271,626 11/1983 Bauer D32/42
- D. 271,628 11/1983 Bauer D32/49
- D. 279,415 6/1985 Osrow et al. D32/49
- D. 362,093 9/1995 Vogt D32/42
- D. 372,349 7/1996 Adair D32/46 X
- 4,141,111 2/1979 Hopkins et al. 15/236.01
- 4,164,801 8/1979 Thomas 15/236.02
- 4,275,476 6/1981 Hopkins et al. 15/236.02

Primary Examiner—Susan J. Lucas
Assistant Examiner—Cynthia Ramirez

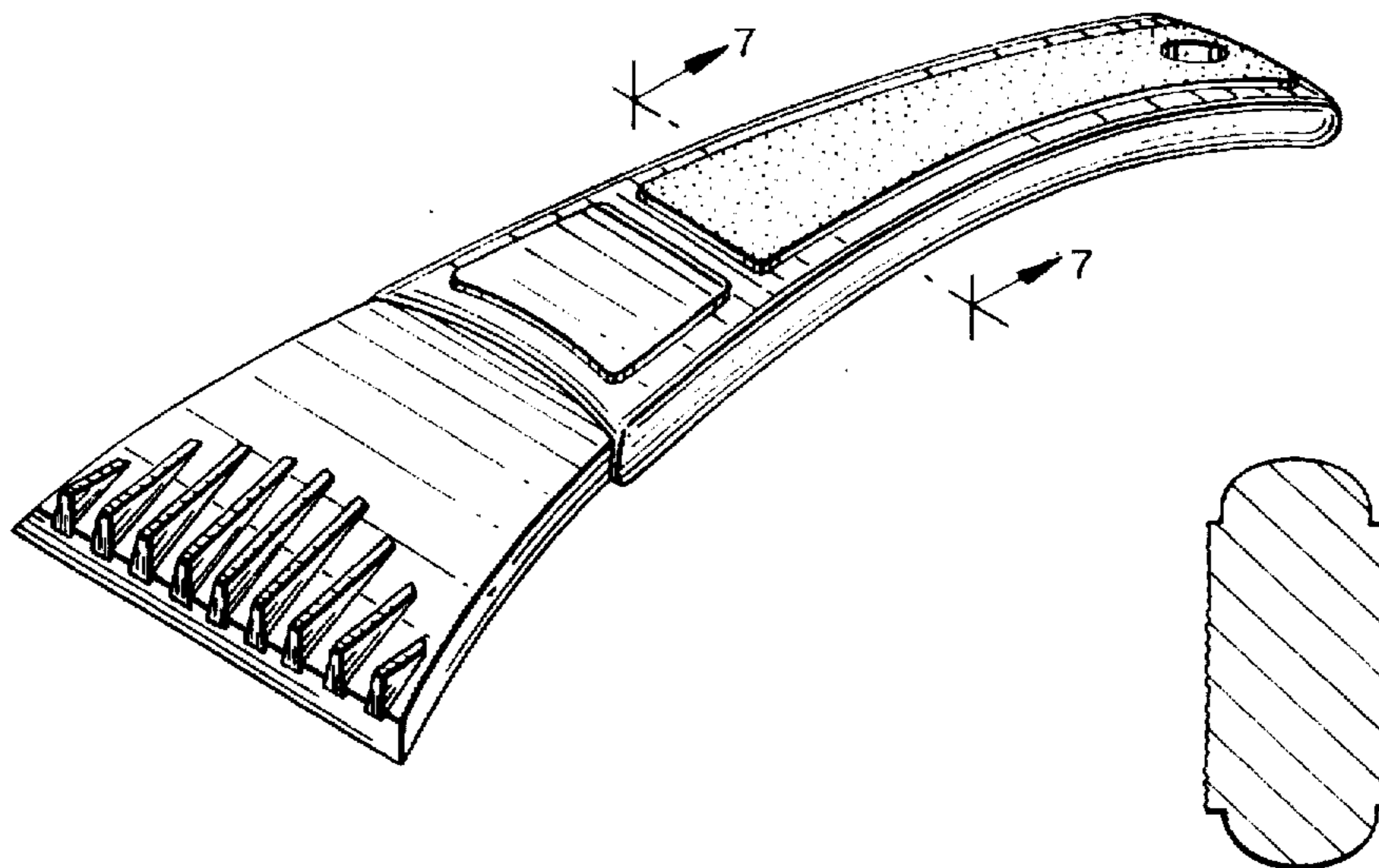
[57] CLAIM

The ornamental design for an ice scraper, as shown and described.

DESCRIPTION

FIG. 1 is a top, front, right perspective view of an ice scraper showing our new design;
 FIG. 2 is a top plan view thereof;
 FIG. 3 is a front elevational view thereof;
 FIG. 4 is a left side elevational view thereof, the right side being a mirror image;
 FIG. 5 is a rear elevational view thereof;
 FIG. 6 is a bottom plan view thereof; and,
 FIG. 7 is a cross-sectional view thereof, taken from line 7—7 of FIG. 1.

1 Claim, 3 Drawing Sheets



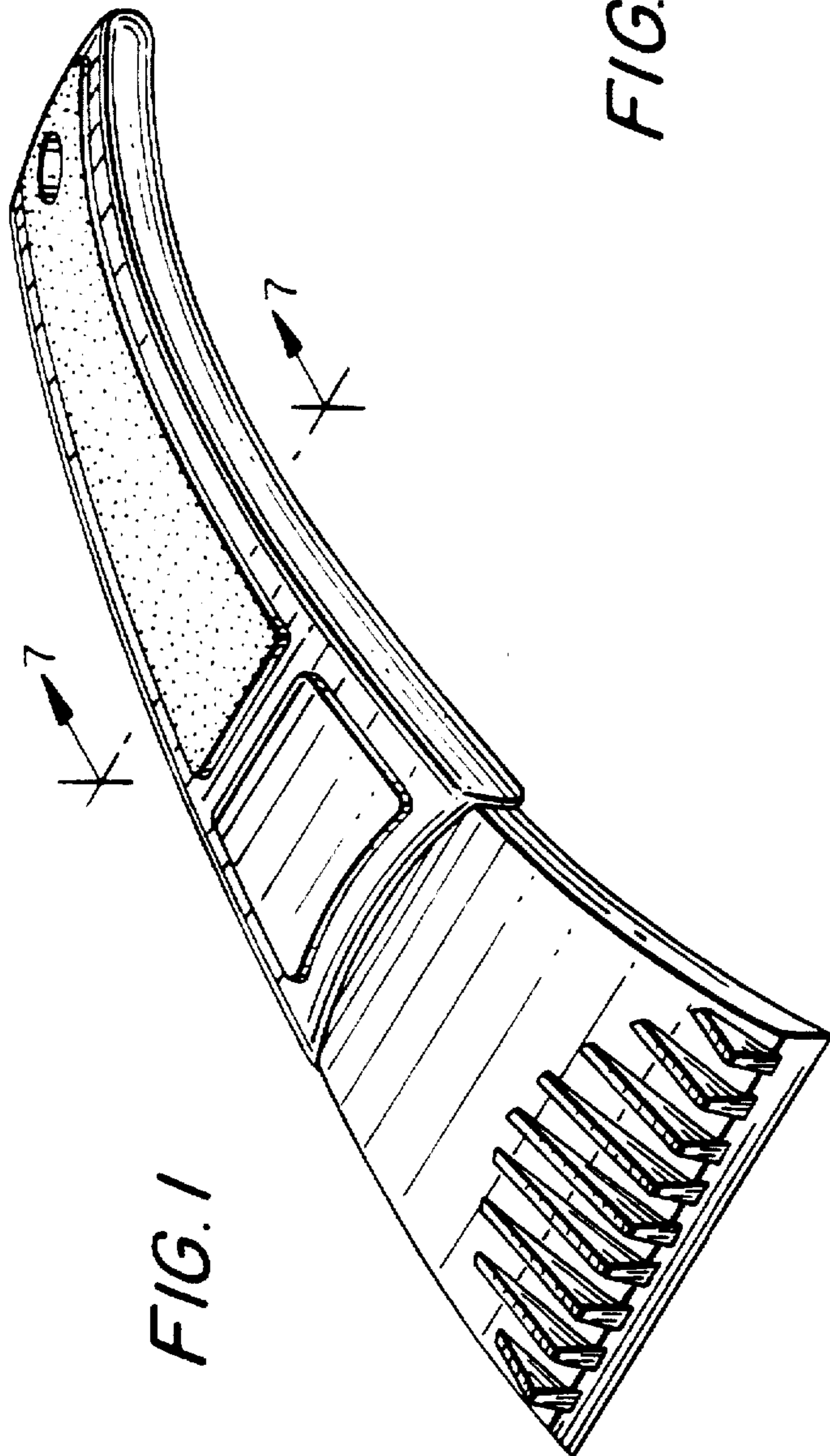


FIG. 2

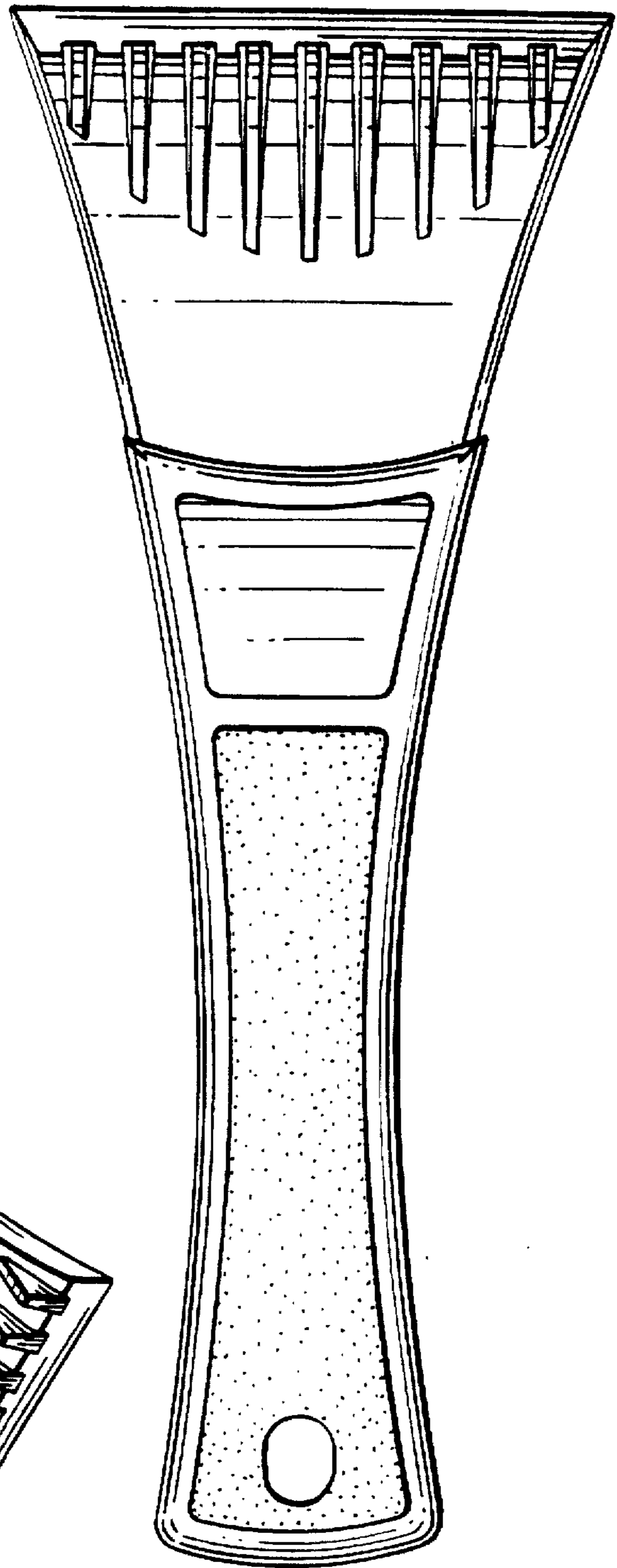


FIG. 3

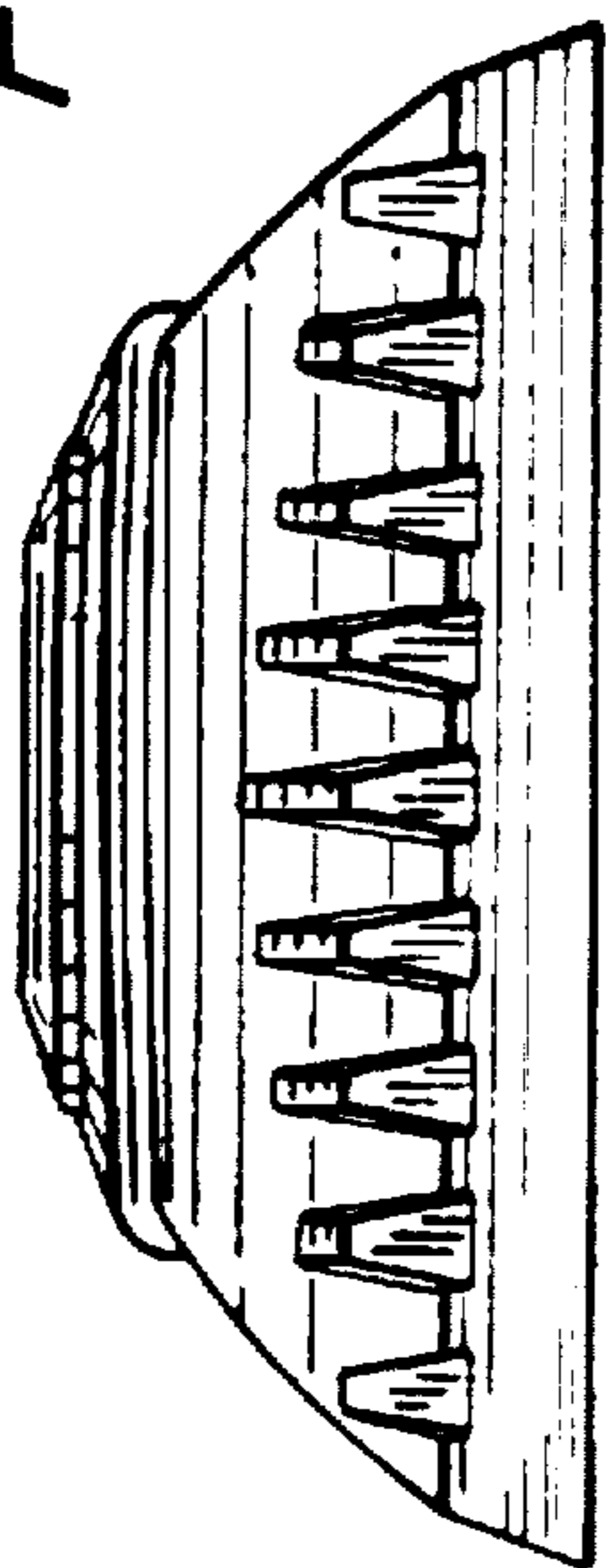


FIG. 4

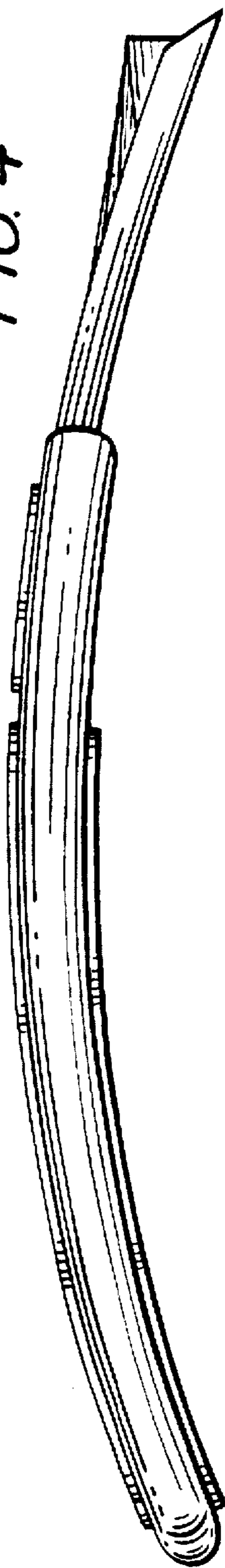
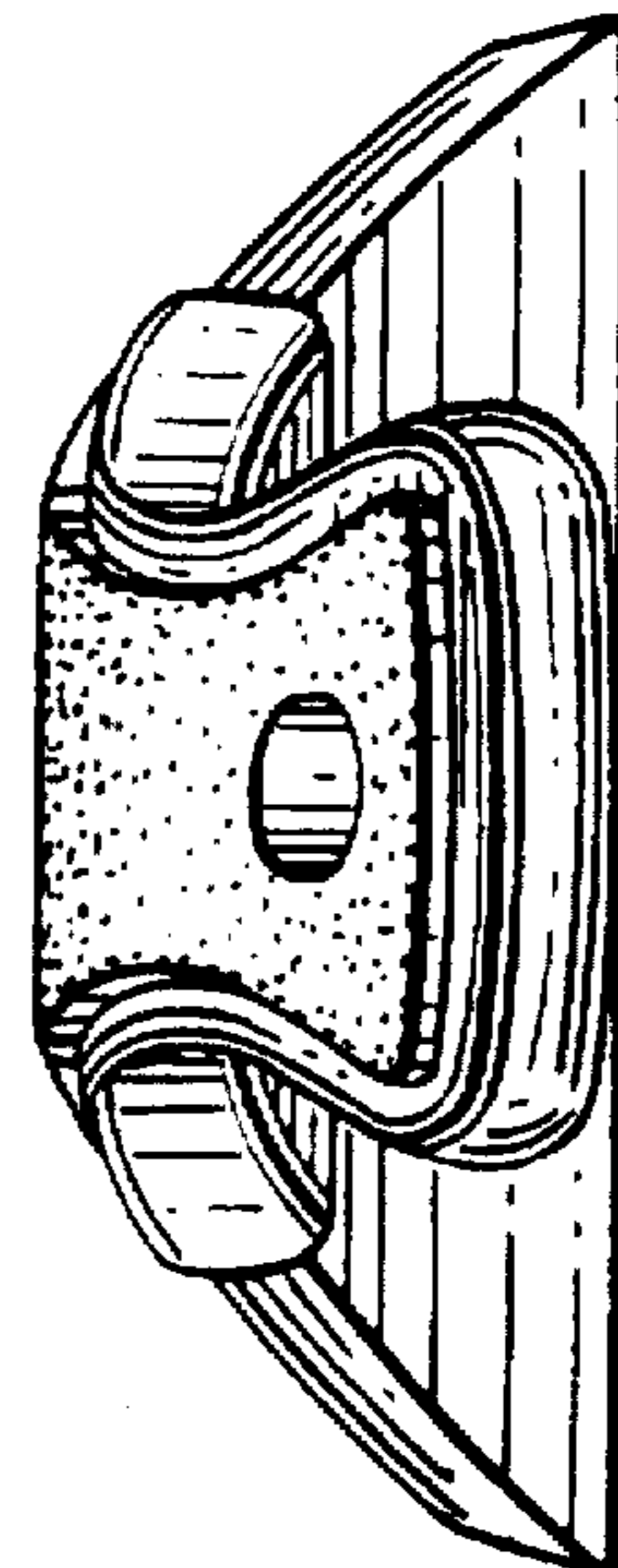


FIG. 5



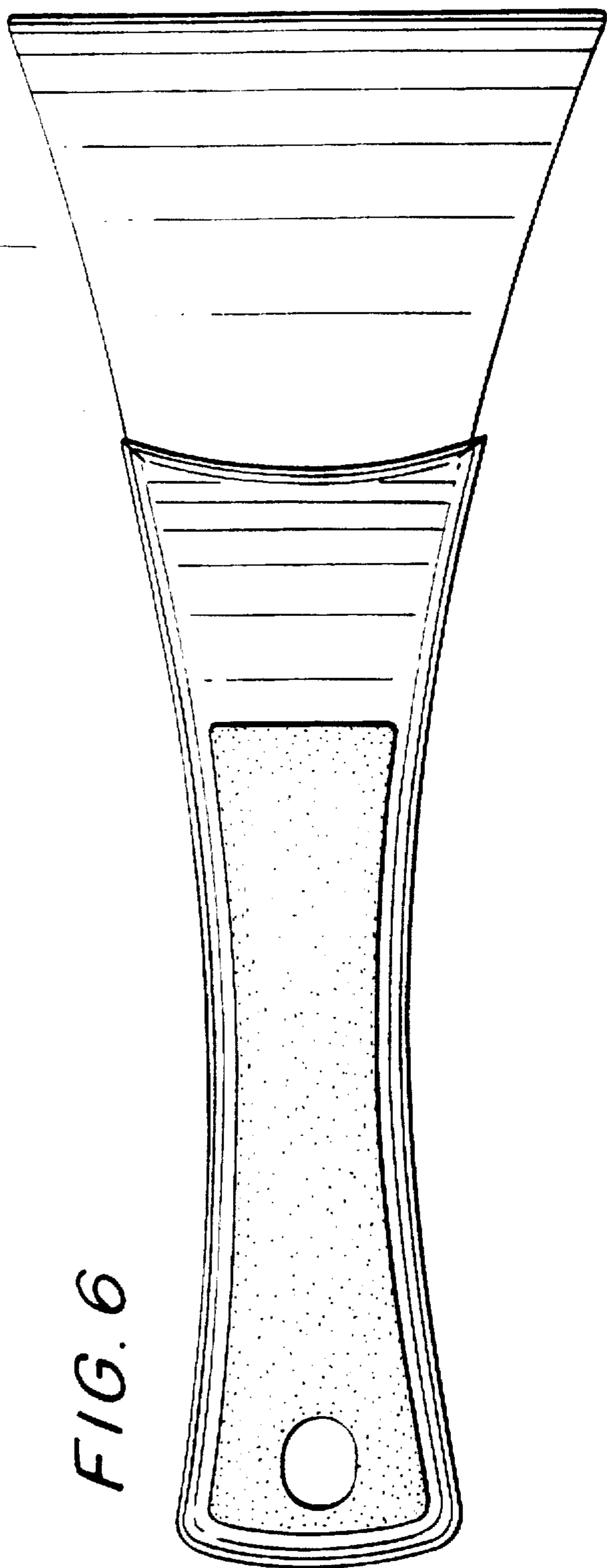


FIG. 6

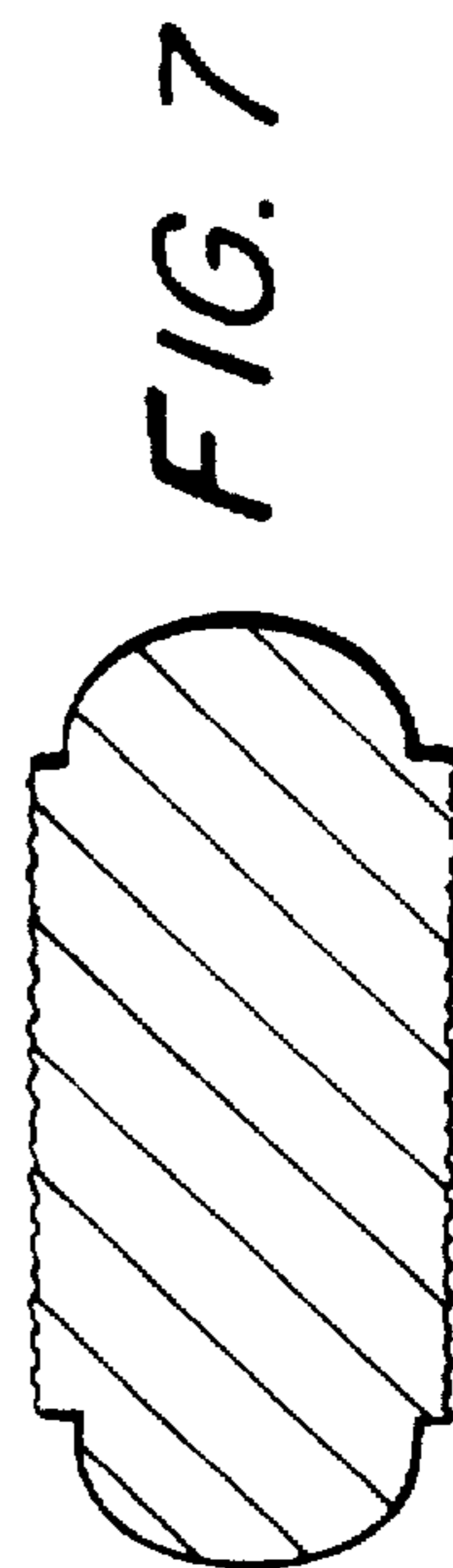


FIG. 7