



US00D394914S

United States Patent [19]
Chen

[11] **Patent Number:** **Des. 394,914**
[45] **Date of Patent:** ****Jun. 2, 1998**

[54] **DESK LAMP**

Primary Examiner—Susan J. Lucas

[76] **Inventor:** **Frank Chen**, 8F-6, No. 100, Sec. 2,
Hoping East Road, Taipei, Taiwan

[57] **CLAIM**

[**] **Term:** **14 Years**

The ornamental design for desk lamp, as shown and described.

[21] **Appl. No.:** **70,807**

[22] **Filed:** **May 16, 1997**

DESCRIPTION

[51] **LOC (6) Cl.** **26-05**

[52] **U.S. Cl.** **D26/65**

[58] **Field of Search** D26/61, 62, 63,
D26/65; 362/410-414, 418, 419, 427, 269,
275, 287

FIG. 1 is the perspective view of a “desk lamp” showing my new design;

FIG. 2 is the front elevational view thereof;

FIG. 3 is the rear elevational view thereof;

FIG. 4 is the left side elevational view thereof;

FIG. 5 is the right side elevational view thereof;

FIG. 6 is the top plan view thereof; and,

FIG. 7 is the bottom plan view thereof.

[56] **References Cited**

U.S. PATENT DOCUMENTS

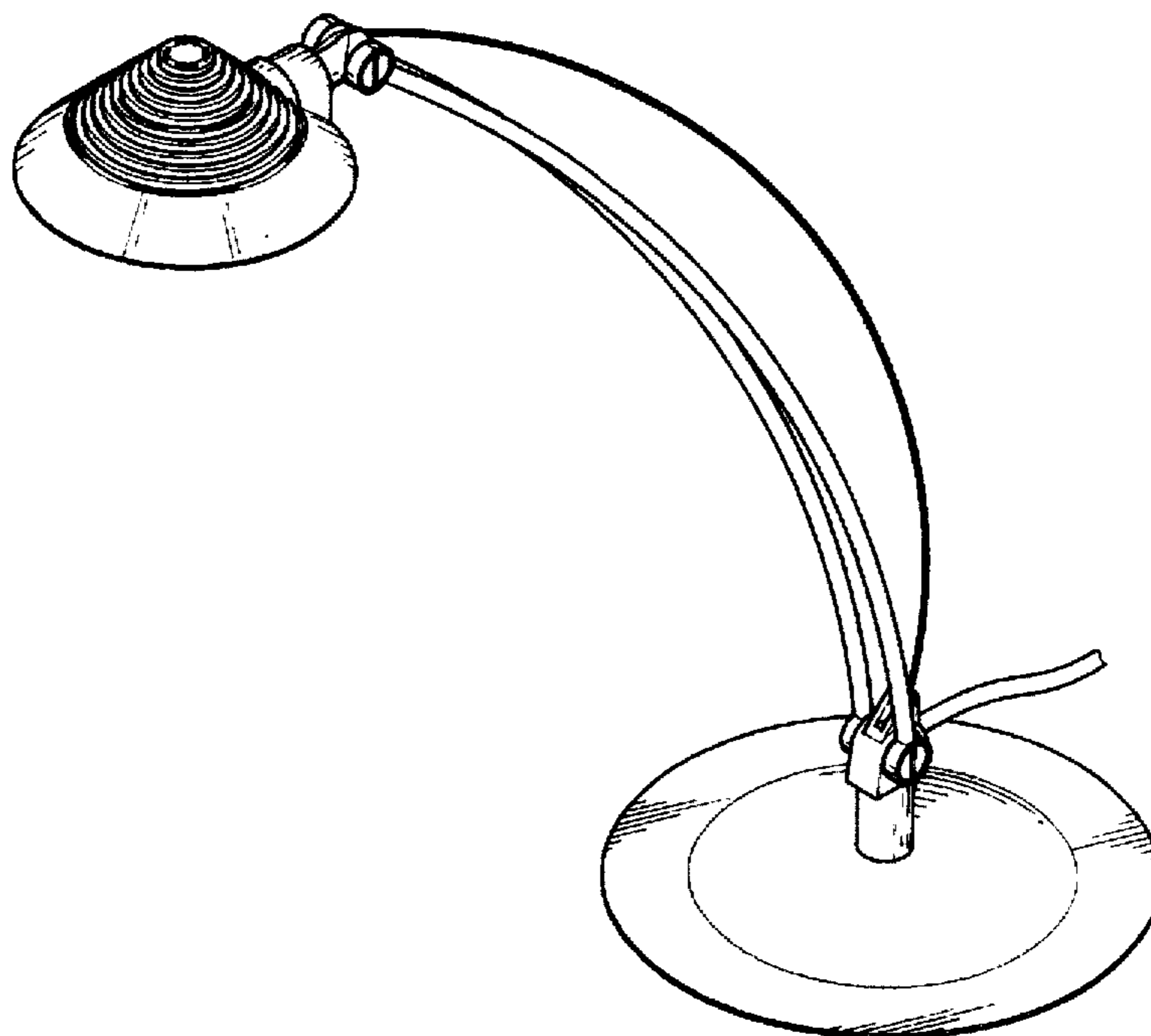
D. 329,918 9/1992 Hsia D26/65
5,339,233 8/1994 Yang 362/413 X

OTHER PUBLICATIONS

Abitare magazine, p. 209, table lamp, right hand side, Dec. 1988.

Lite Source Inc. lighting catalog, p. 5, desk lamp #LS-372, Aug. 1995.

1 Claim, 5 Drawing Sheets



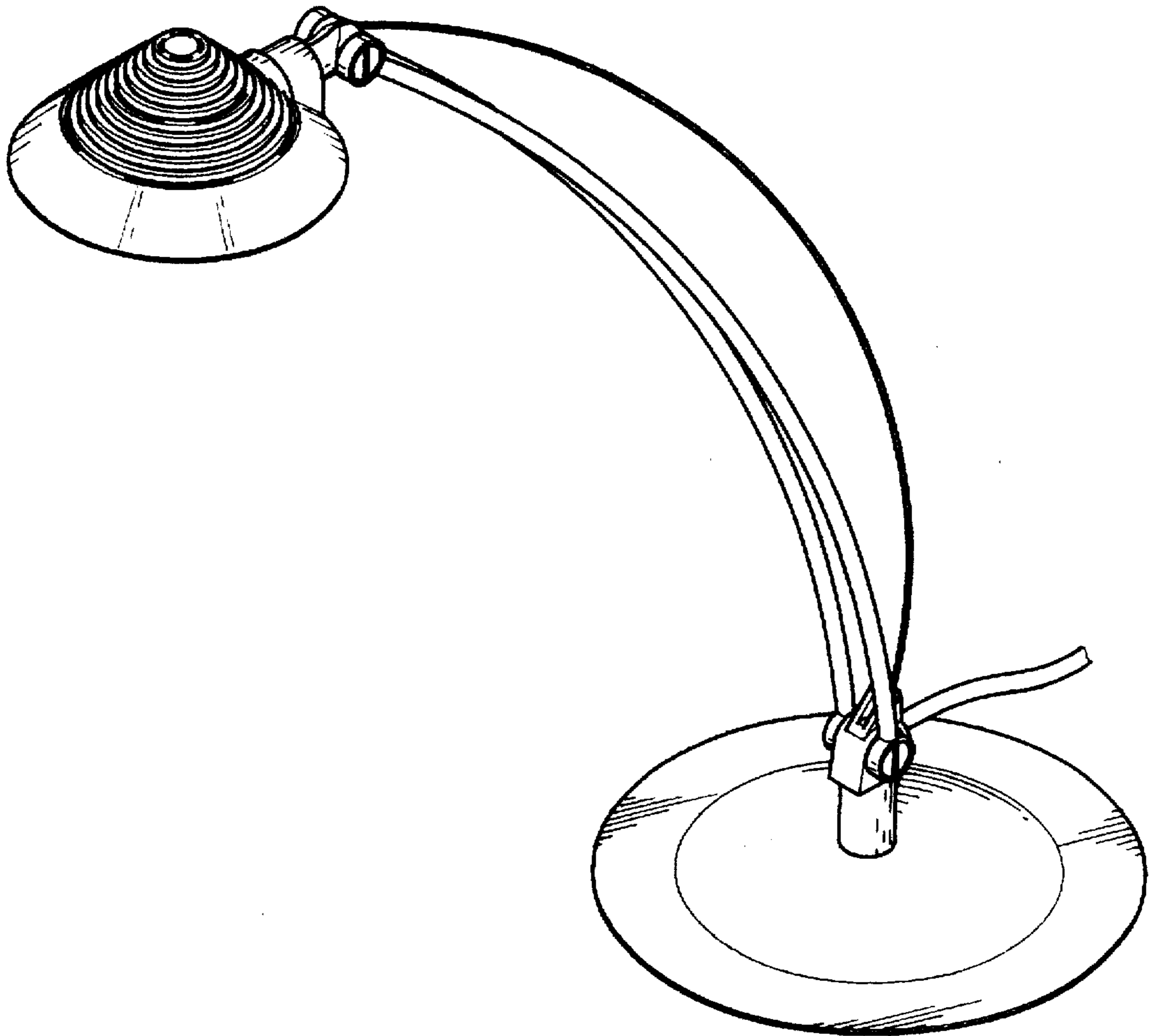


FIG. 1

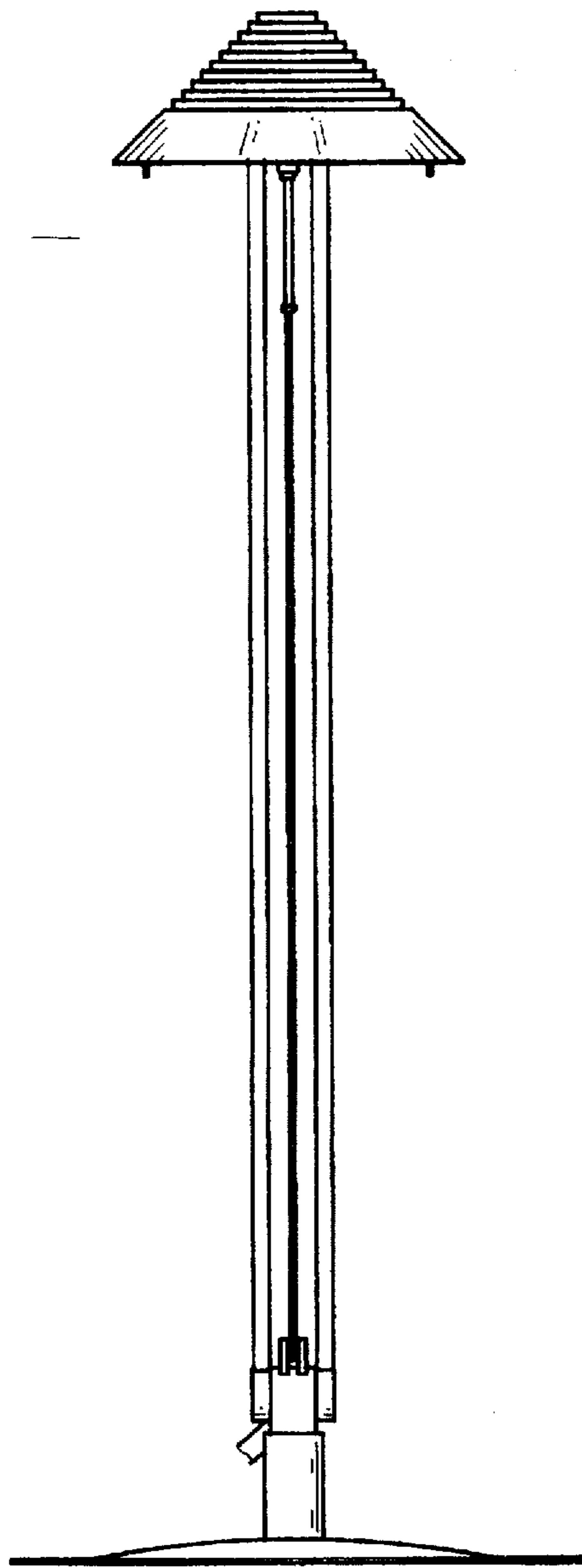


FIG. 2

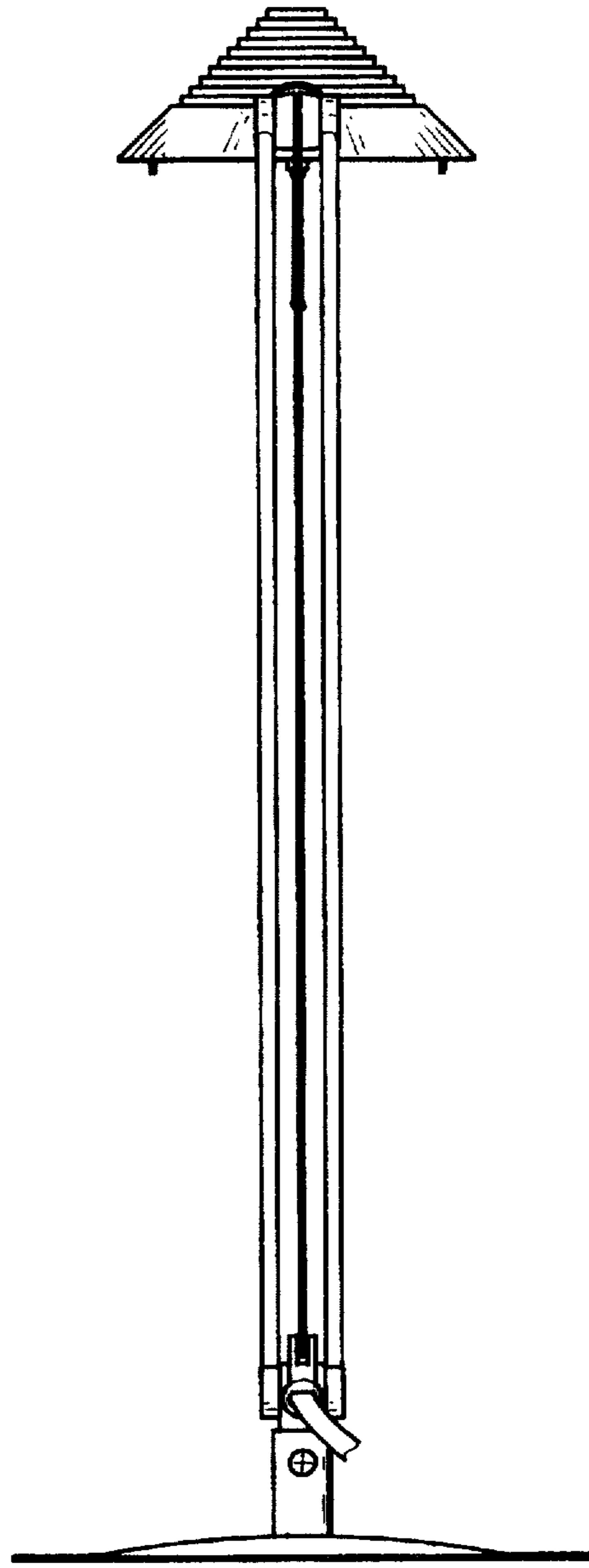


FIG. 3

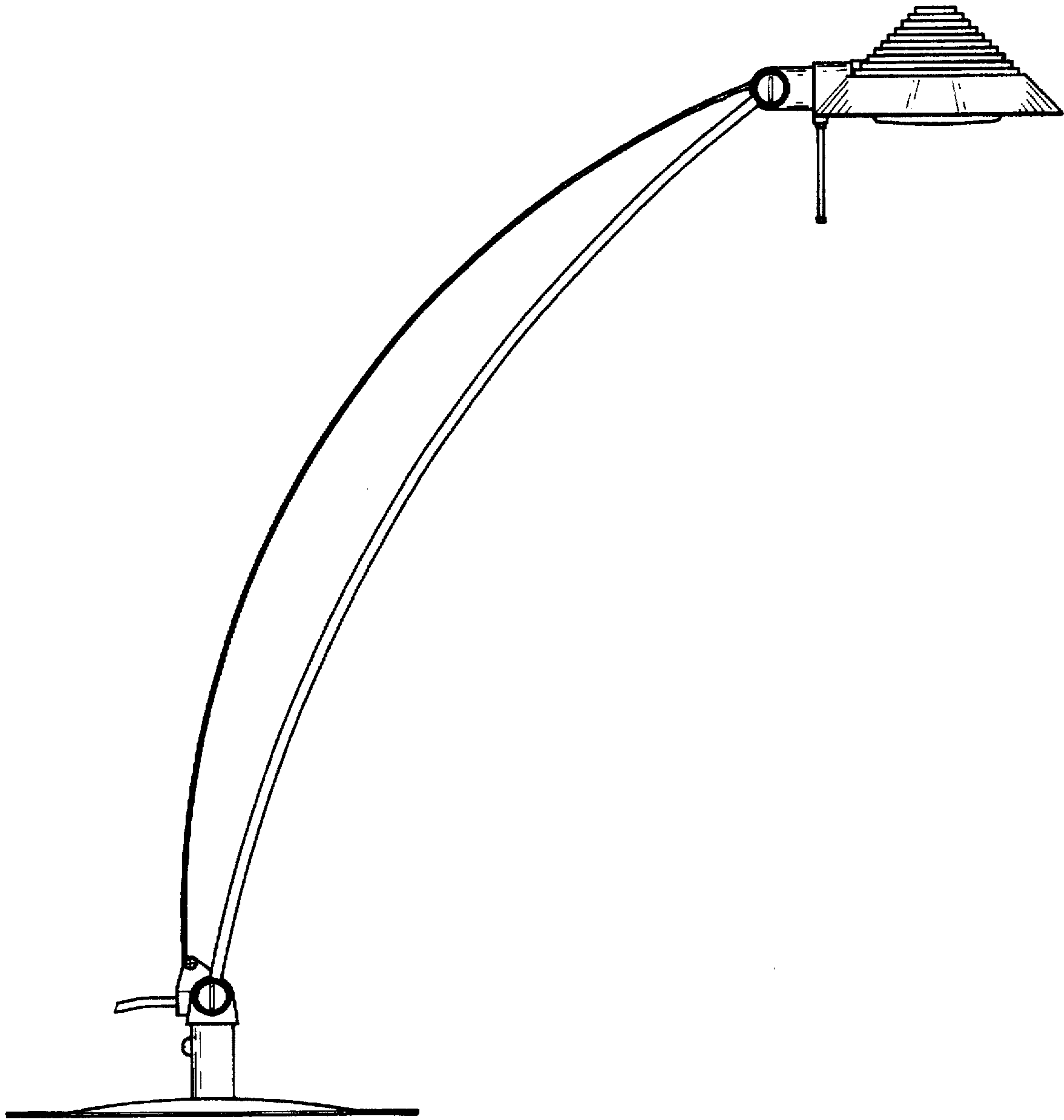


FIG. 4

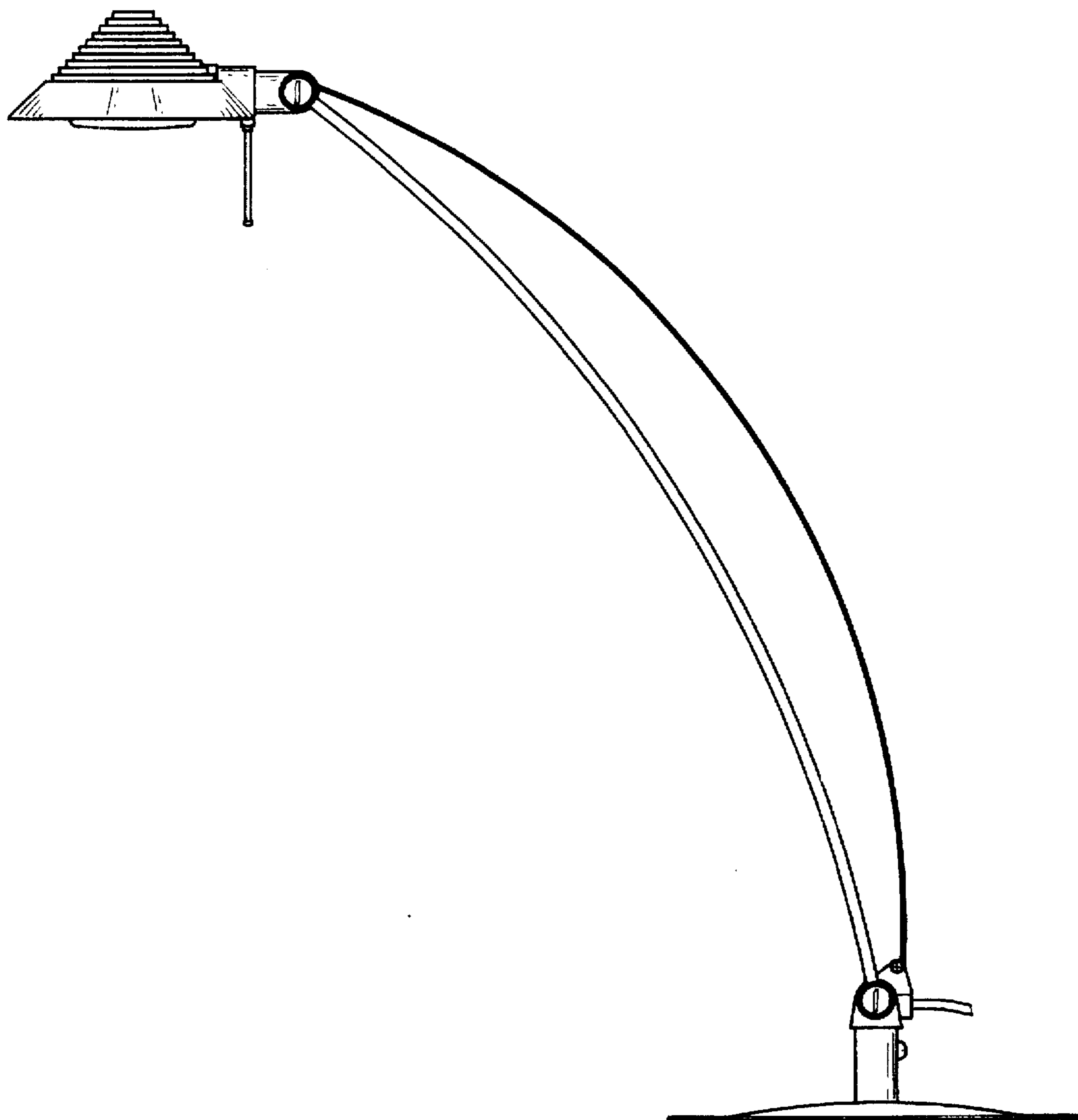


FIG. 5

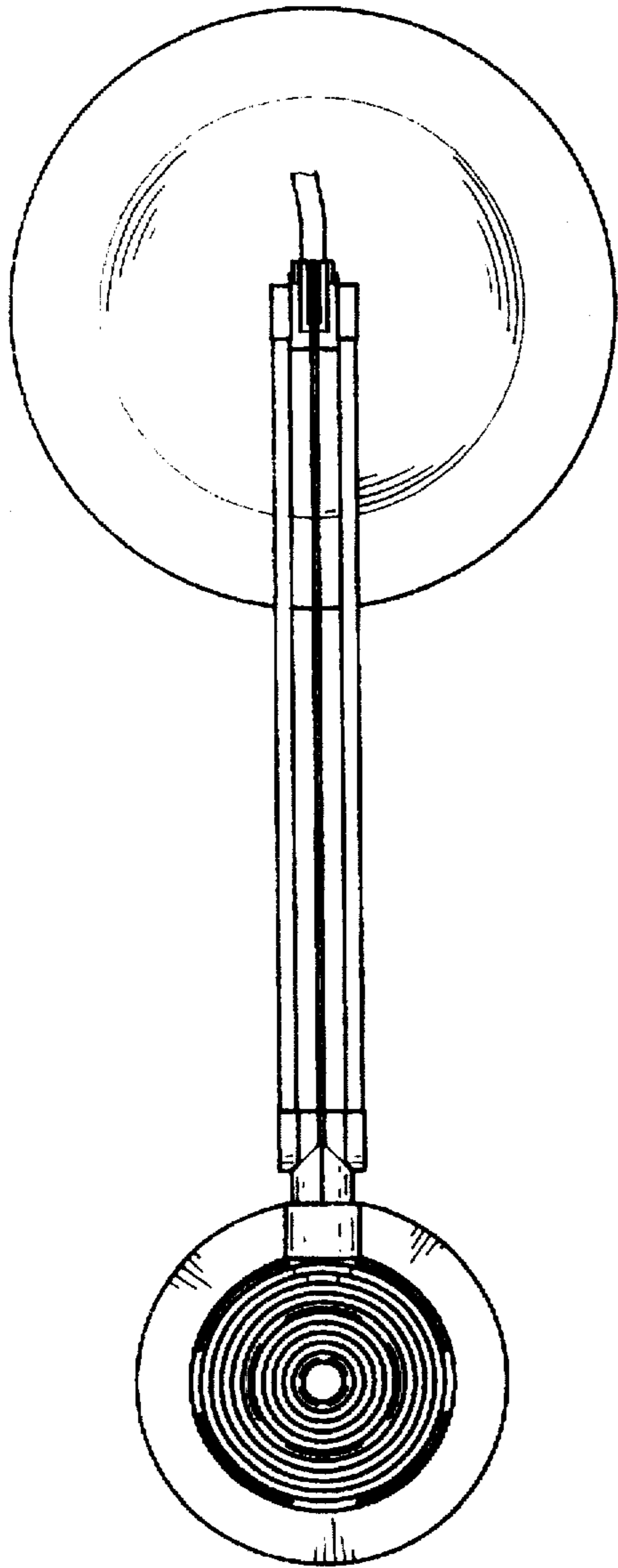


FIG. 6

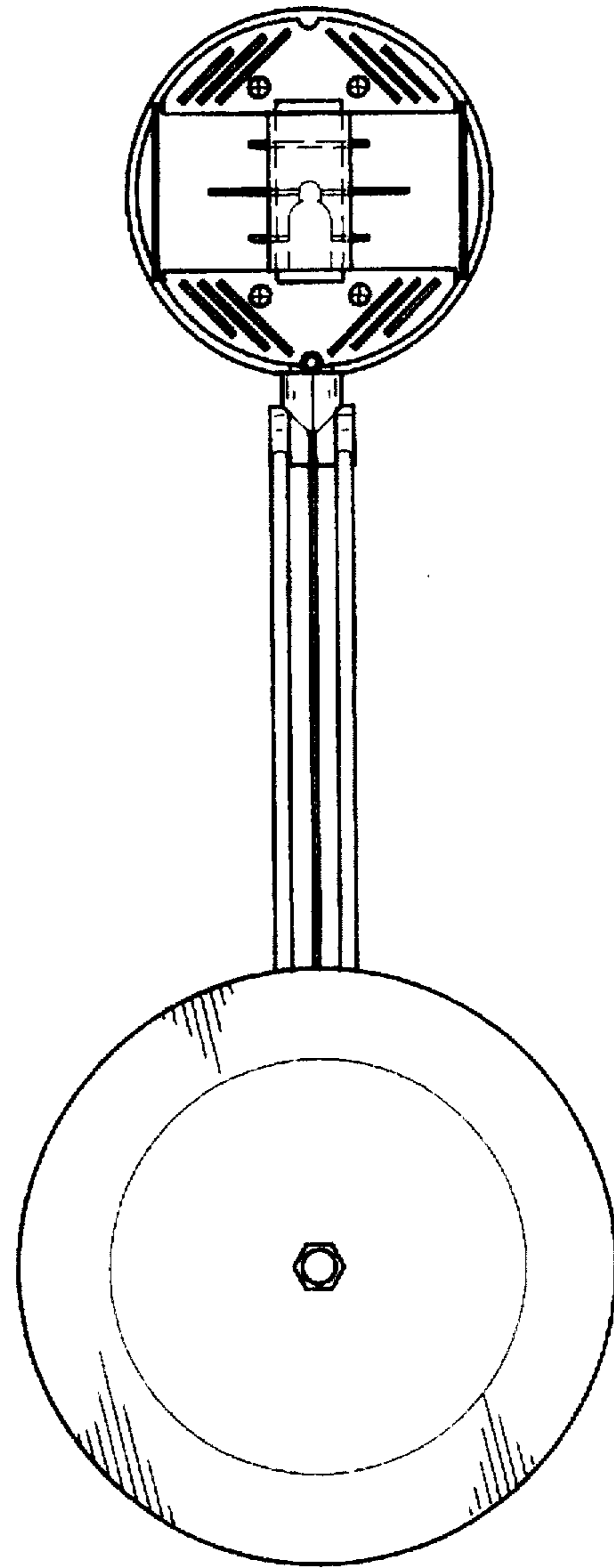


FIG. 7