



US00D394913S

United States Patent [19]
Chan

[11] **Patent Number: Des. 394,913**

[45] **Date of Patent: **Jun. 2, 1998**

[54] **SWING ARM LAMP**

[75] **Inventor: Kam-Hoi Chan, Shatin, Hong Kong**

[73] **Assignee: Go-Gro Industries Ltd., Kowloon Bay, Hong Kong**

[**] **Term: 14 Years**

[21] **Appl. No.: 49,387**

[22] **Filed: Jan. 24, 1996**

[51] **LOC (6) Cl. 26-05**

[52] **U.S. Cl. D26/65**

[58] **Field of Search** D26/60-66; 362/269, 362/275, 287, 410, 411, 413, 414, 418, 419, 428, 402

[56] **References Cited**

U.S. PATENT DOCUMENTS

3,041,060 6/1962 Jacobsen D26/60 X
4,238,816 12/1980 Merlo 362/419 X

Primary Examiner—Susan J. Lucas
Attorney, Agent, or Firm—Merchant, Gould, Smith, Edell, Welter & Schmidt, P.A.

[57] **CLAIM**

The ornamental design for a swing arm lamp, as shown and described.

DESCRIPTION

FIG. 1 is a perspective view of a swing arm lamp showing my new design;

FIG. 2 is a fragmentary front elevational view thereof, the rear being a mirror image but for the omission of the triangular knobs on the pivots of the adjustable arm;

FIG. 3 is a left side elevational view thereof;

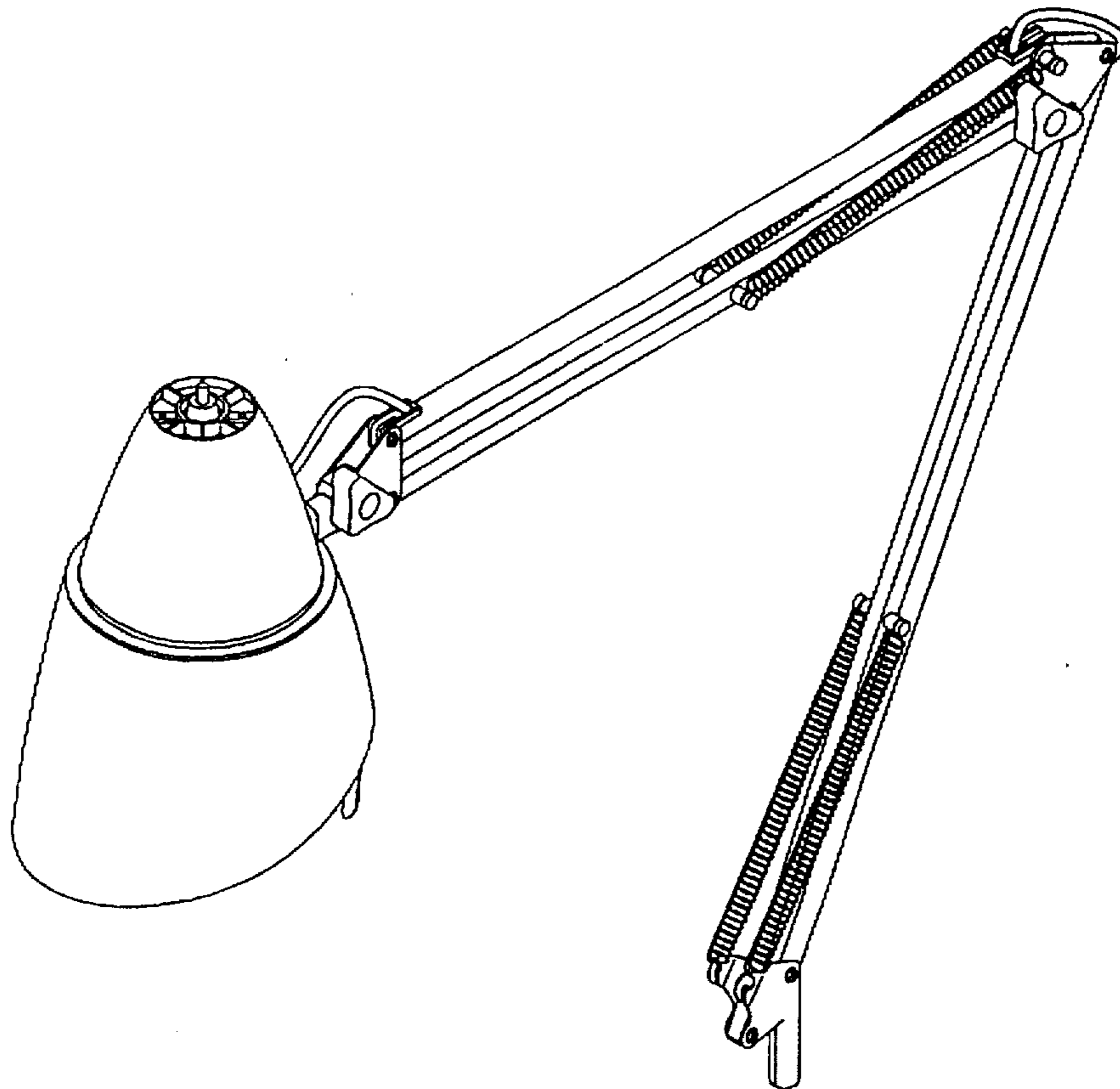
FIG. 4 is a right side elevational view thereof;

FIG. 5 is a fragmentary top plan view thereof; and,

FIG. 6 is a fragmentary bottom plan view thereof.

The support arms are broken away in FIGS. 2, 5, and 6 for convenience of illustration.

1 Claim, 6 Drawing Sheets



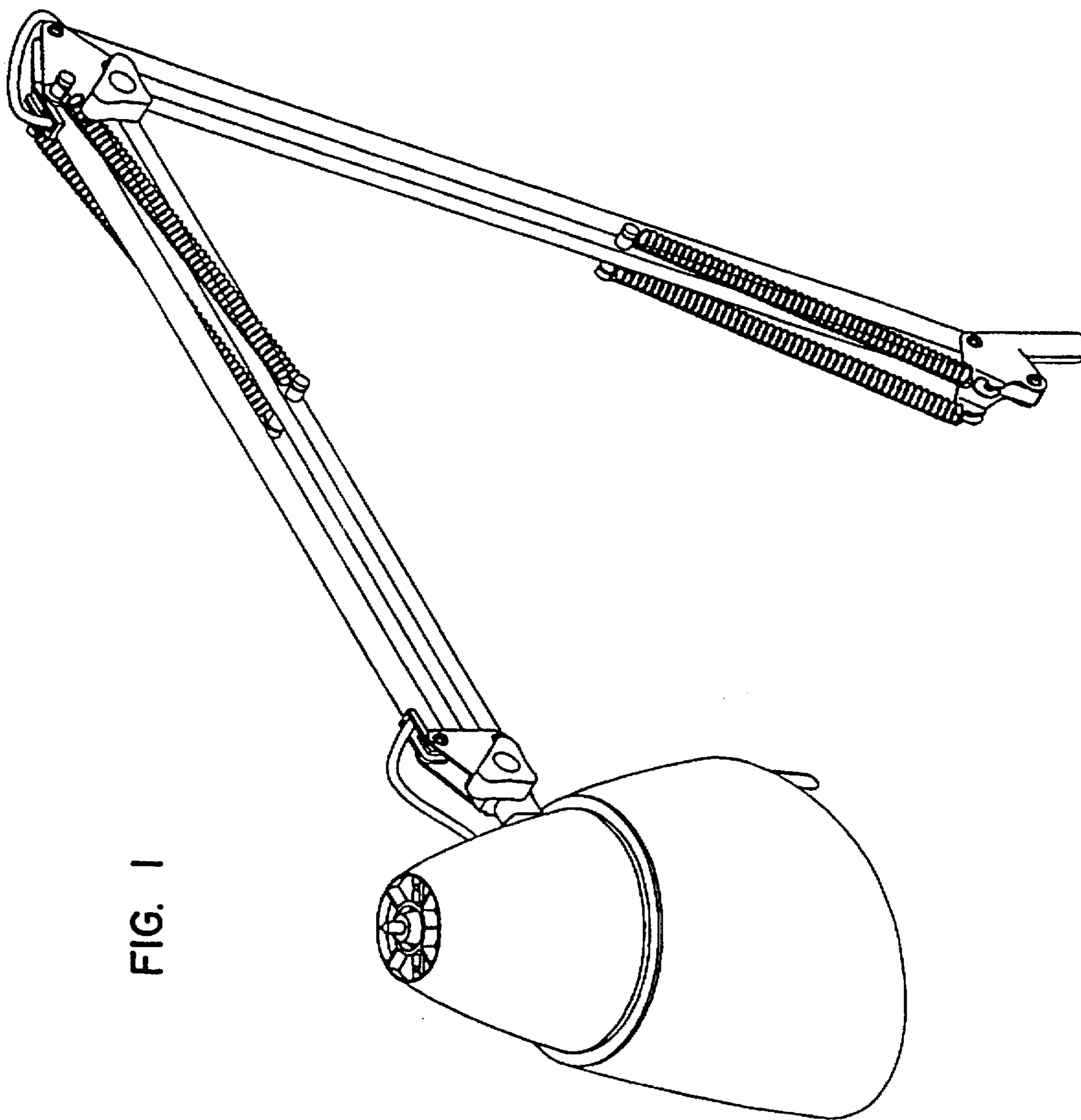


FIG. 1

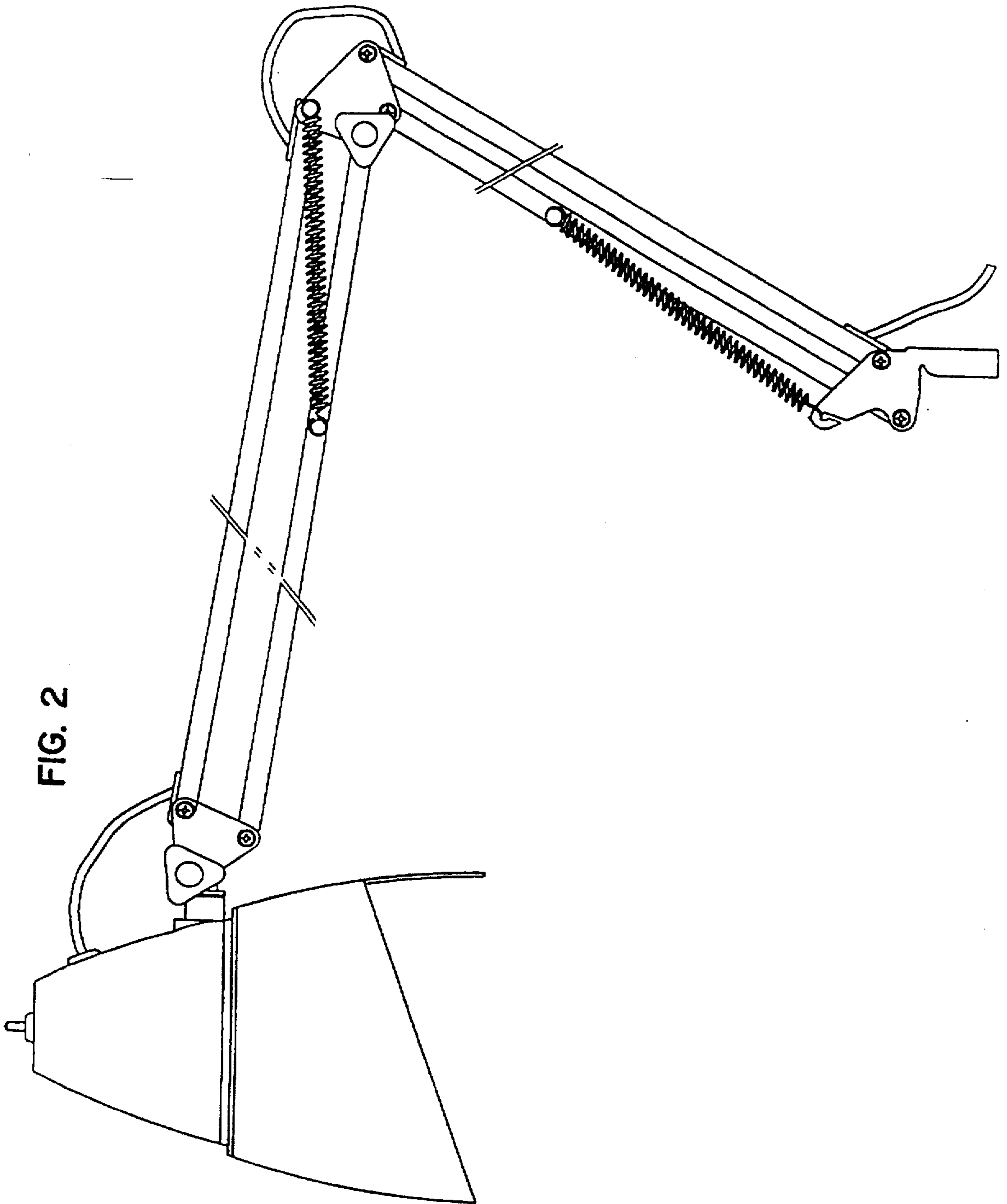


FIG. 2

FIG. 3

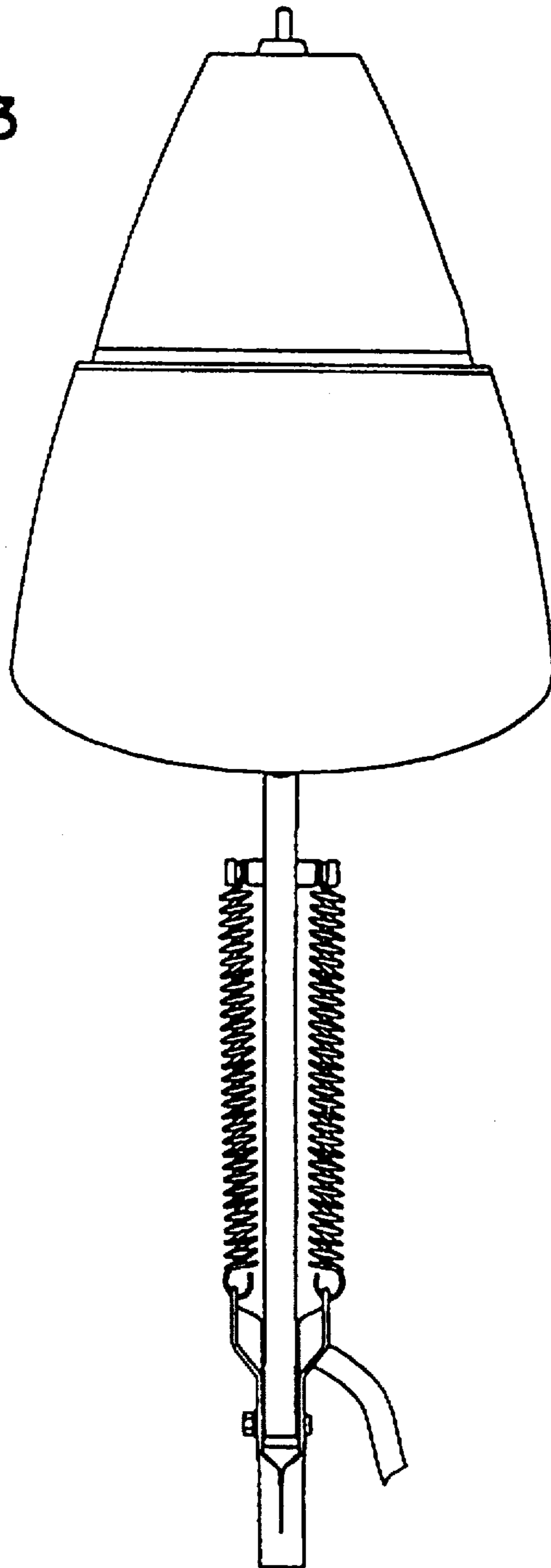


FIG. 4

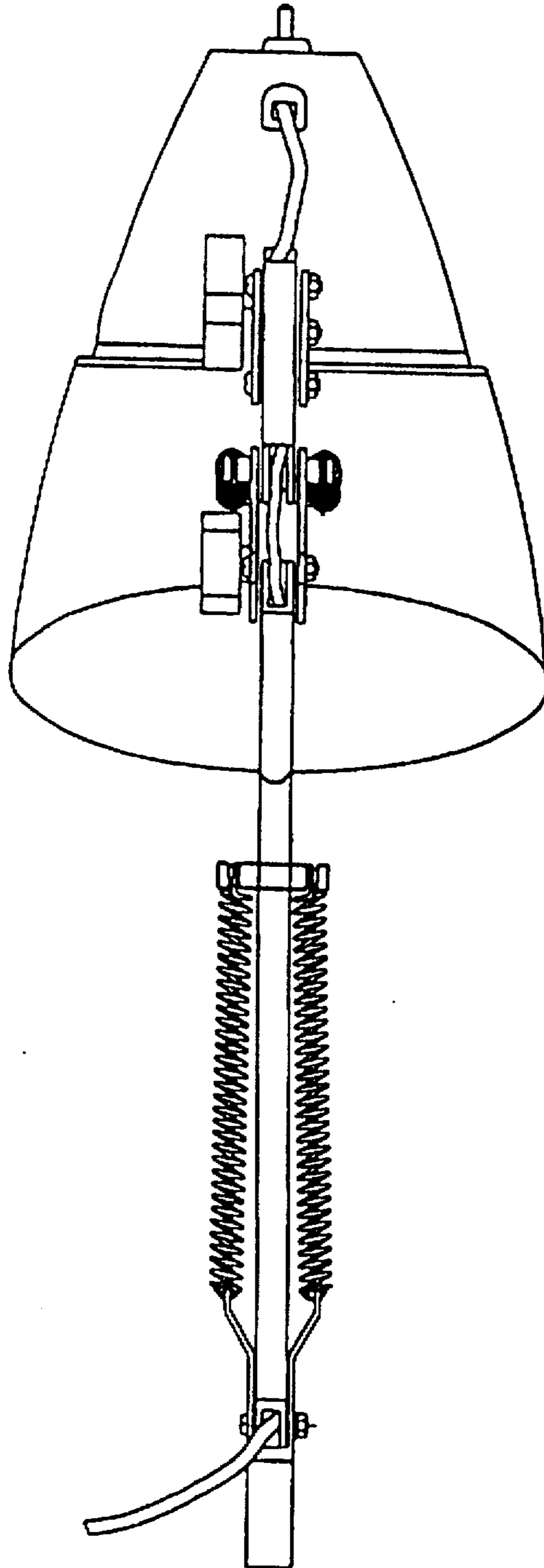


FIG. 5

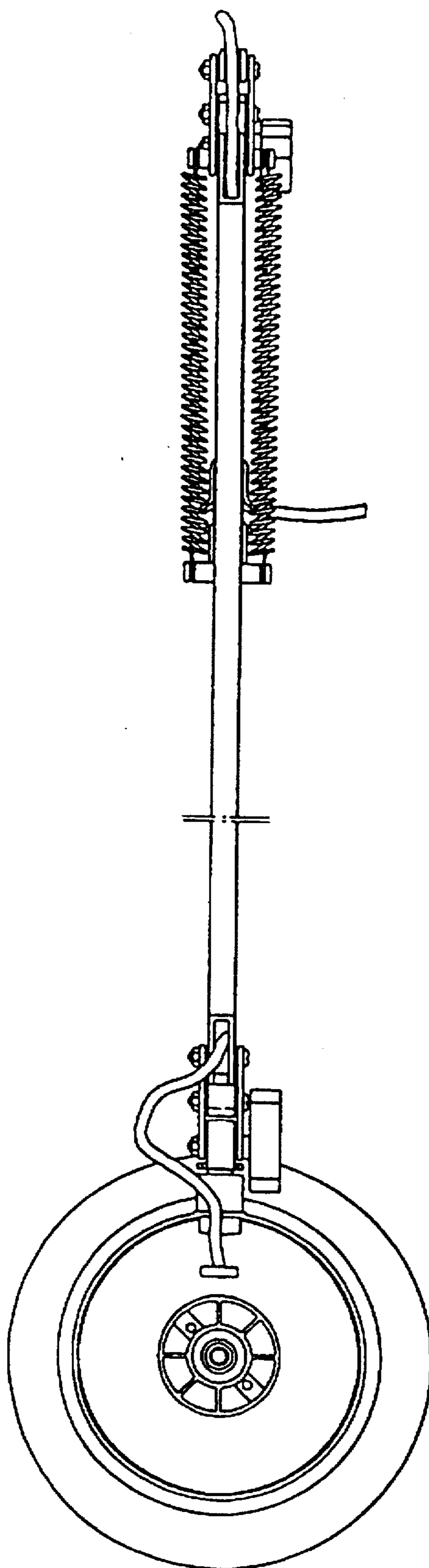


FIG. 6

