



US00D394912S

**United States Patent** [19]  
**Reggiani**

[11] **Patent Number: Des. 394,912**  
[45] **Date of Patent: \*\*Jun. 2, 1998**

[54] **ADJUSTABLE LAMP**

[75] **Inventor: Fabio Reggiani, Milan, Italy**

[73] **Assignee: Reggiani S.p.A. Illuminazione, Milan, Italy**

[\*\*] **Term: 14 Years**

[21] **Appl. No.: 63,211**

[22] **Filed: Dec. 2, 1996**

[30] **Foreign Application Priority Data**

Jun. 4, 1996 [XH] Hague Agreement ..... DM/036605

[51] **LOC (6) Cl. .... 26-05**

[52] **U.S. Cl. .... D26/63**

[58] **Field of Search ..... D26/60-66; 362/147, 362/269, 275, 287, 418, 419, 427, 404**

[56] **References Cited**

**U.S. PATENT DOCUMENTS**

D. 297,373 8/1988 Joosten et al. .... D26/63

**OTHER PUBLICATIONS**

Illuminotecnica International Lighting magazine, p. 287, lampholder, second from right, May 7, 1991.

*Primary Examiner*—Susan J. Lucas  
*Attorney, Agent, or Firm*—Shlesinger Fitzsimmons Shlesinger

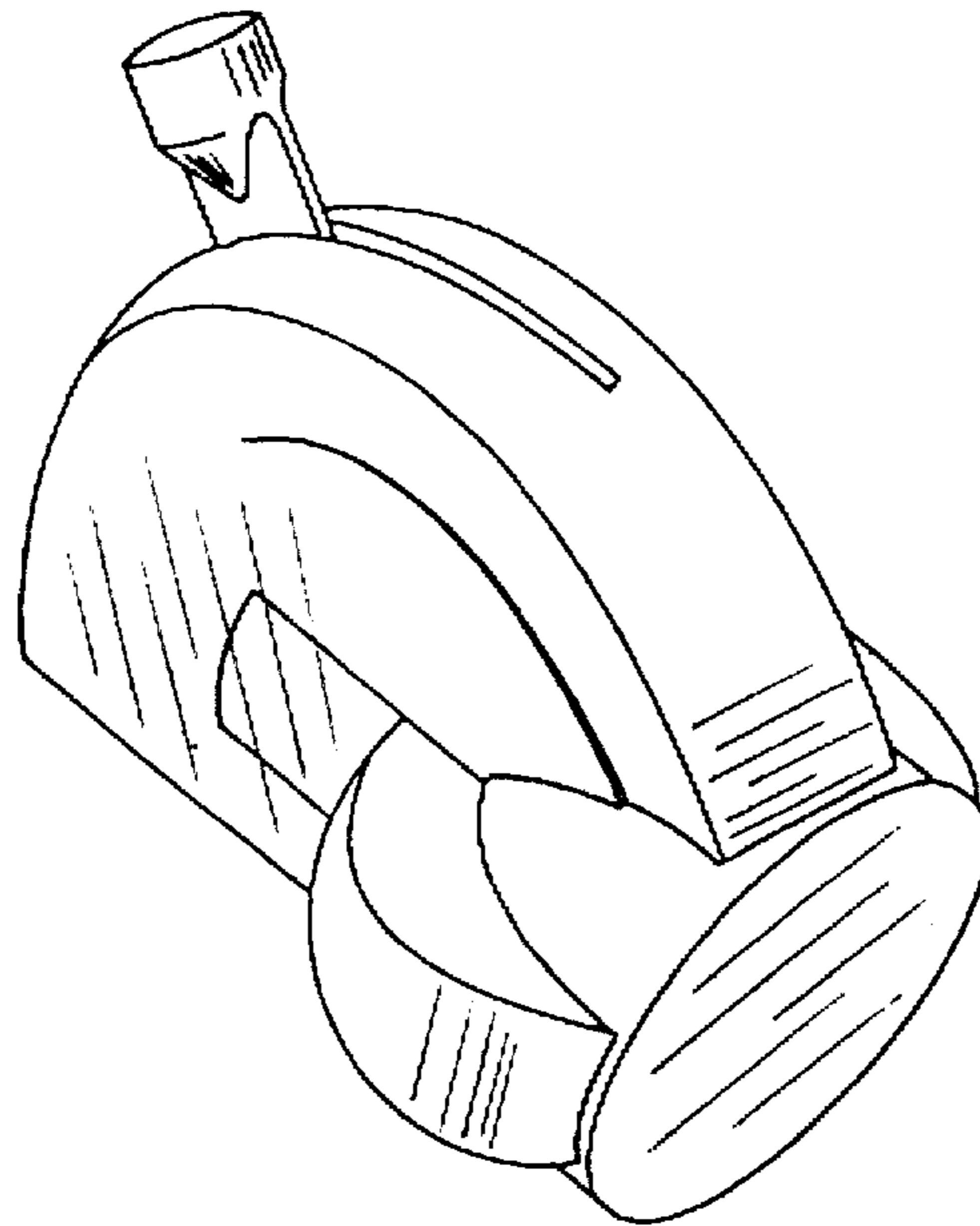
[57] **CLAIM**

The ornamental design for adjustable lamp, as shown.

**DESCRIPTION**

FIG. 1 is a front perspective view of the adjustable lamp; FIG. 2 is a right side elevation view thereof; FIG. 3 is a left side elevation view thereof; FIG. 4 is a front elevation view thereof; FIG. 5 is a top plan view thereof; FIG. 6 is a bottom plan view thereof; and, FIG. 7 is a rear elevation view thereof.

**1 Claim, 2 Drawing Sheets**



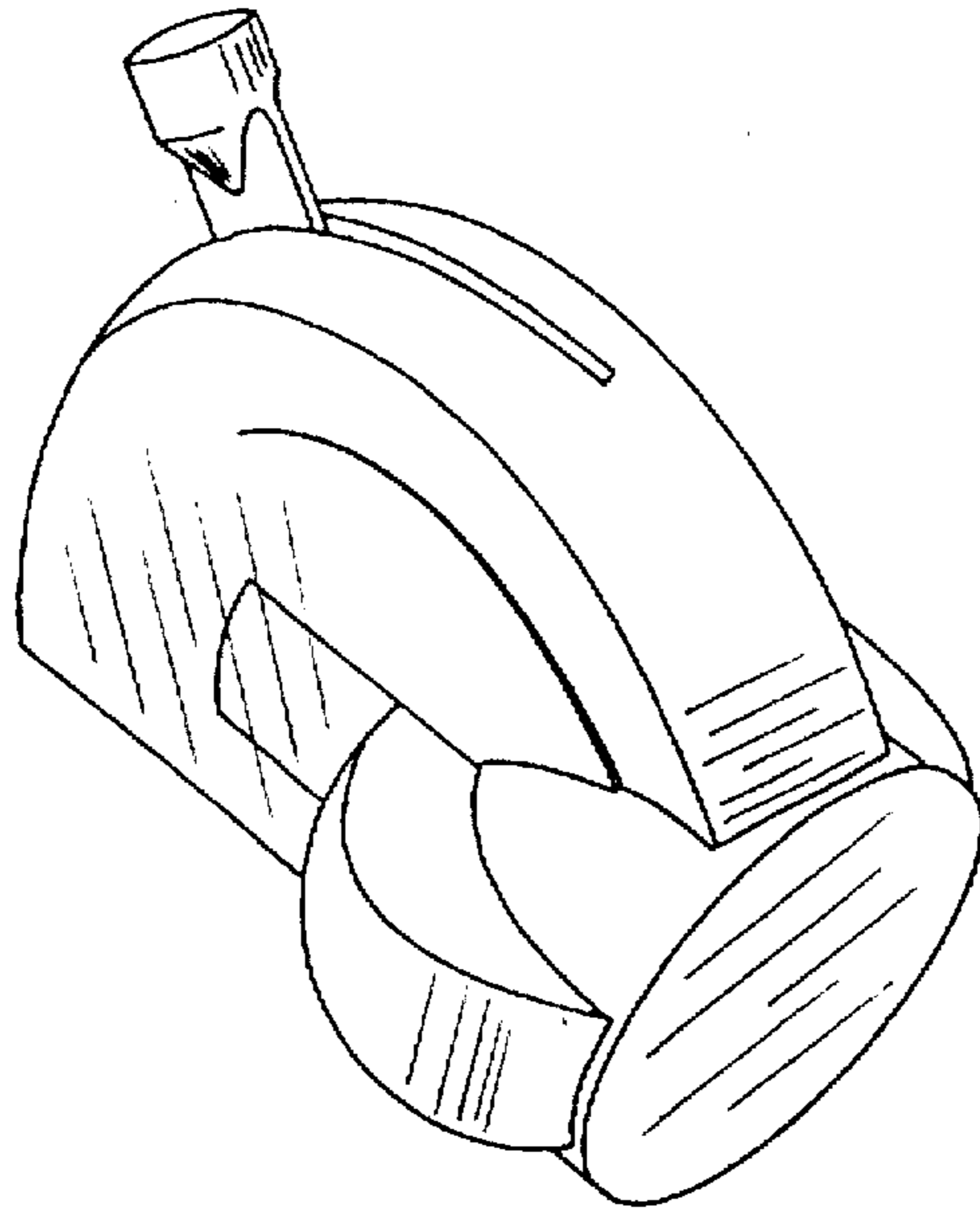


FIG.1

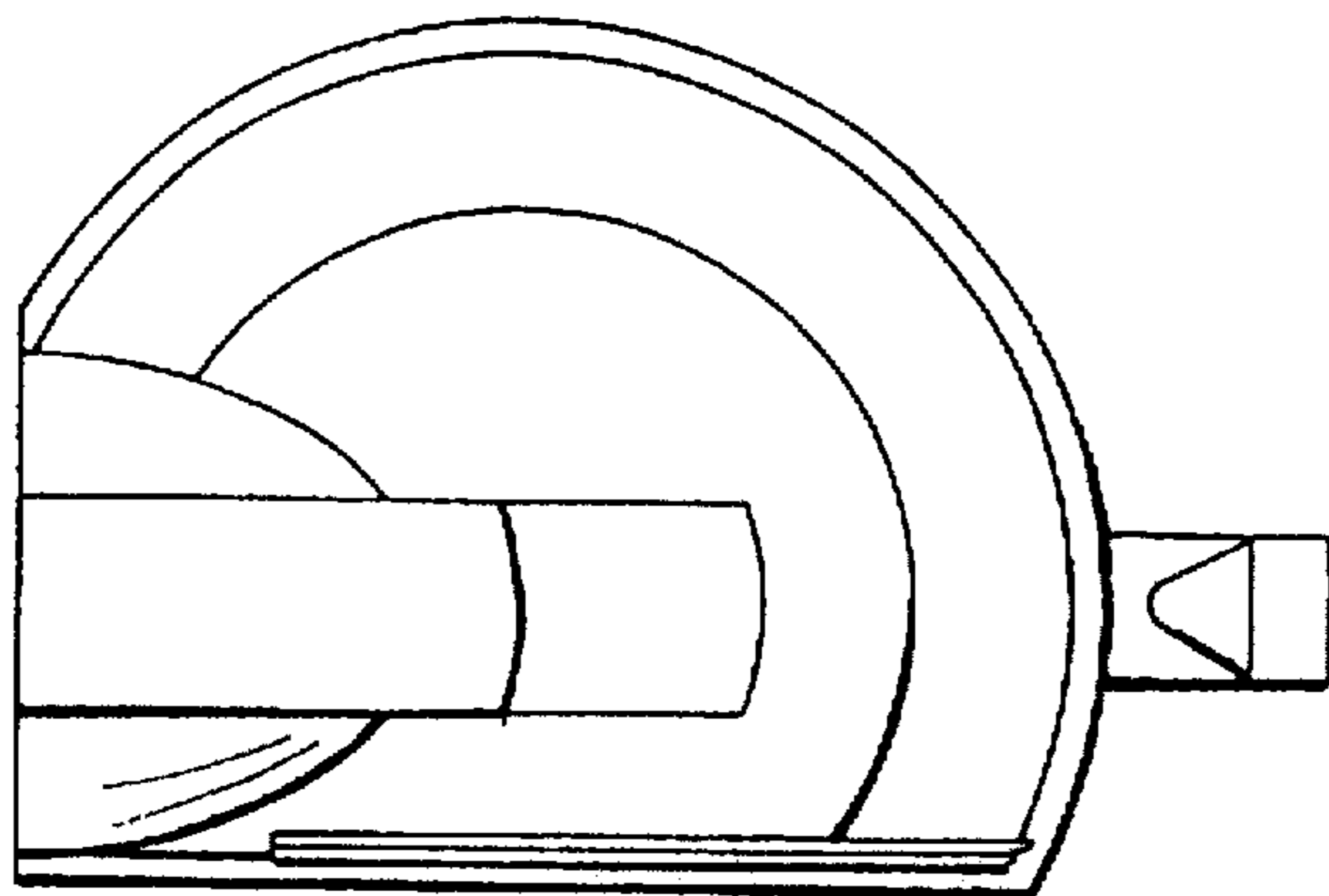


FIG.2

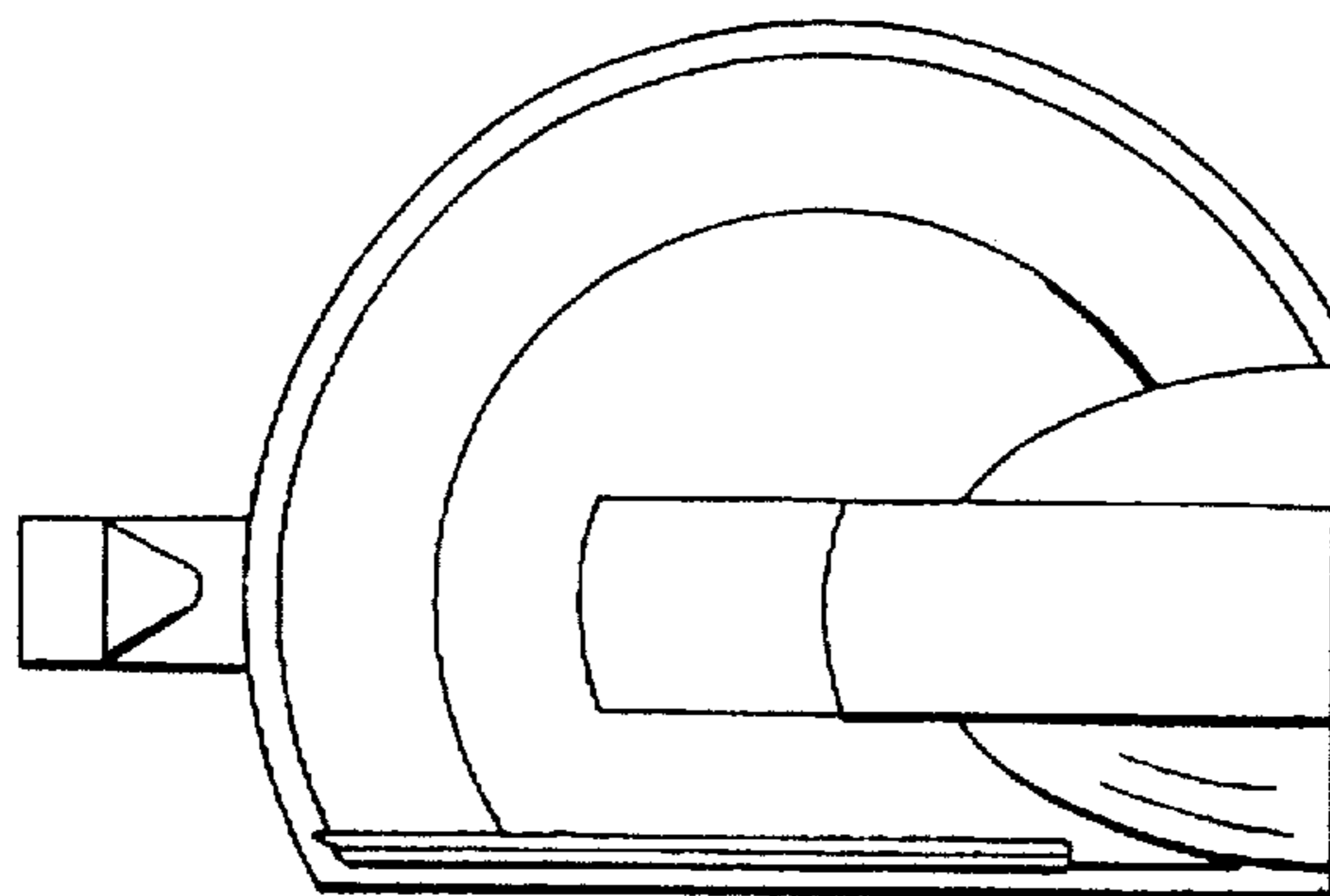


FIG.3

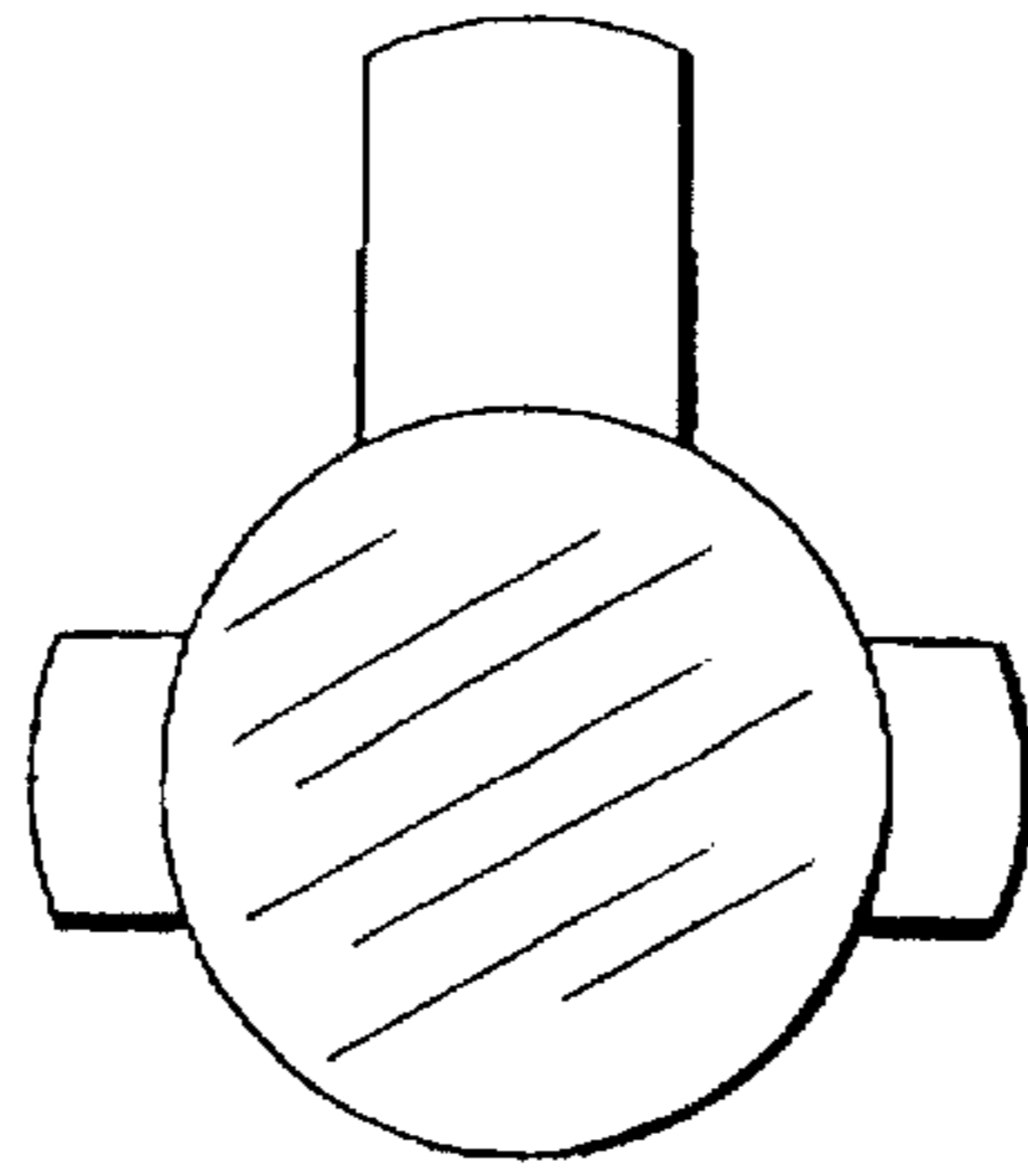


FIG. 4

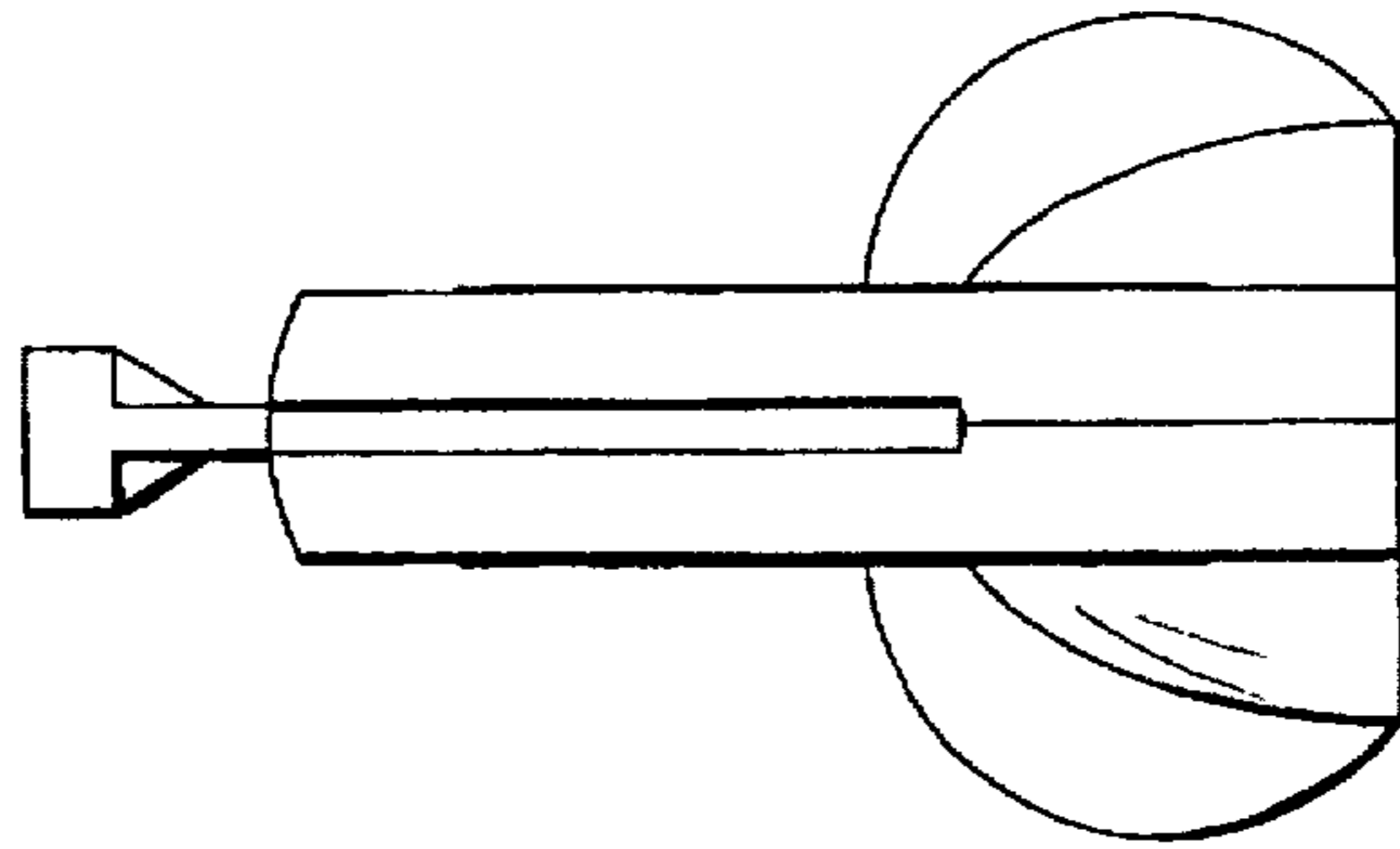


FIG. 5

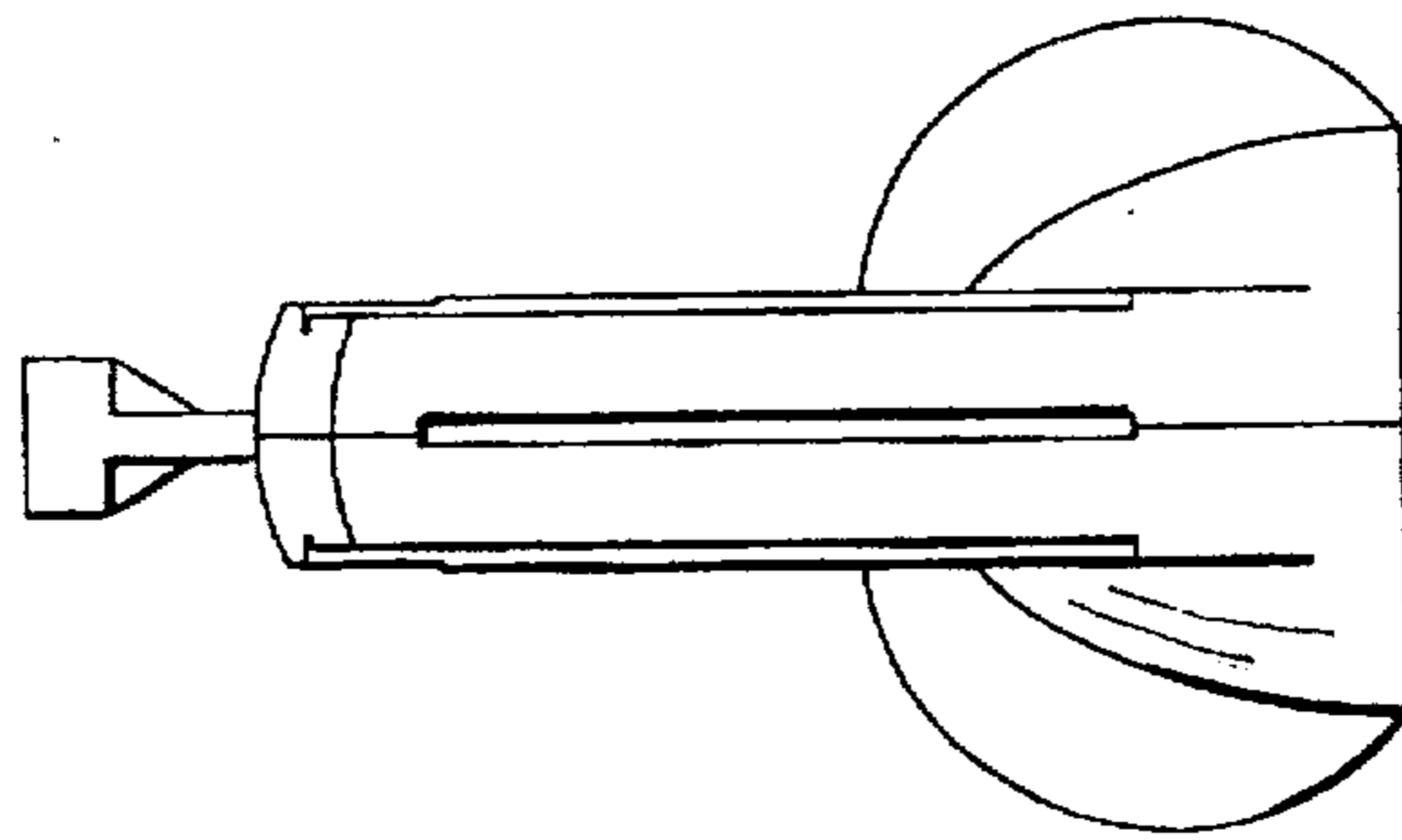


FIG. 6

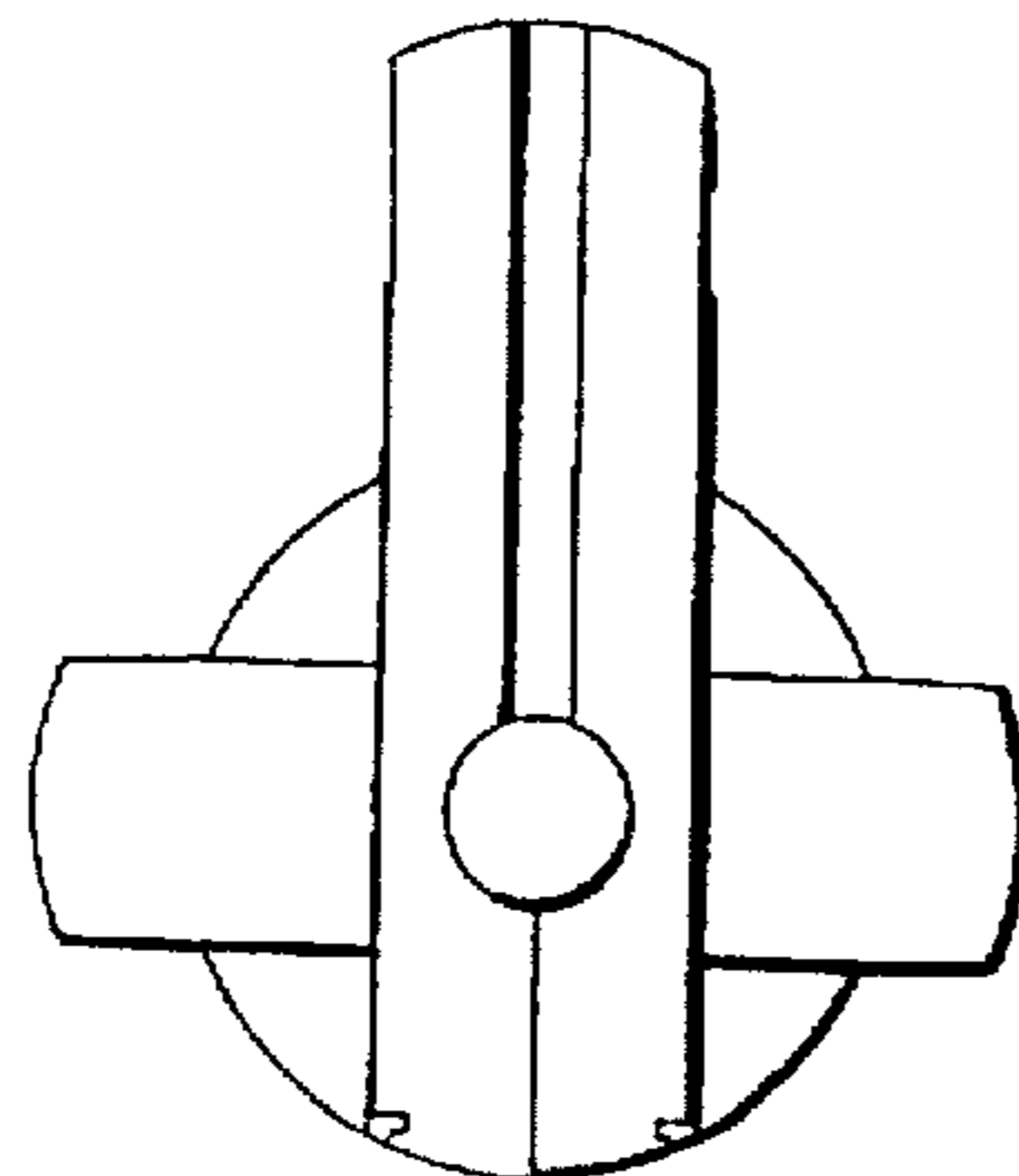


FIG. 7