



US00D394911S

United States Patent [19]

[11] Patent Number: **Des. 394,911**

Yuen

[45] Date of Patent: ****Jun. 2, 1998**

[54] **COMBINED FLUORESCENT LIGHT AND RADIO**

Primary Examiner—Marcus A. Jackson
Attorney, Agent, or Firm—Fay, Sharpe, Beall, Fagan, Minnich & McKee

[75] Inventor: **John Se-Kit Yuen**, Kowloon, Rep. of Korea

[57] **CLAIM**

[73] Assignee: **John Manufacturing Limited**, Kowloon, Hong Kong

The ornamental design for a combined fluorescent light and radio, as shown and described.

[**] Term: **14 Years**

DESCRIPTION

[21] Appl. No.: **74,450**

FIG. 1 is an underneath plan view of a combined fluorescent light and radio showing my new design;

[22] Filed: **Jul. 31, 1997**

FIG. 2 is a left side elevational view thereof;

[30] **Foreign Application Priority Data**

Feb. 6, 1997 [GB] United Kingdom 2063028

FIG. 3 is a front elevational view thereof;

[51] LOC (6) Cl. **26-02**

FIG. 4 is a top plan view thereof;

[52] U.S. Cl. **D26/38**

FIG. 5 is a right side elevational view thereof;

[58] Field of Search D26/37-50; D14/144;

FIG. 6 is a rear elevational view thereof;

362/157, 158, 177, 184, 187, 189, 190, 199, 200, 205, 208

FIG. 7 is a left side elevational view showing fluorescent light raised;

[56] **References Cited**

U.S. PATENT DOCUMENTS

D. 293,481	12/1987	Ohashi	D26/38
D. 302,013	7/1989	Yuen	D26/38
D. 321,263	10/1991	Yuen	D26/38
D. 344,152	2/1994	Yuen	D26/38
D. 344,358	2/1994	Yuen	D26/38
D. 368,970	4/1996	Yuen	D26/37
D. 376,663	12/1996	Yuen	D26/38
D. 381,100	7/1997	Fink	D26/38

FIG. 8 is a front elevational view showing fluorescent light raised;

FIG. 9 is a right side elevational view showing fluorescent light raised;

FIG. 10 is a rear elevational view showing fluorescent light raised;

FIG. 11 is a front elevational view showing fluorescent light pivoted;

FIG. 12 is a front elevational view showing fluorescent light raised and pivoted;

FIG. 13 is a right side elevational view showing fluorescent light raised and pivoted;

FIG. 14 is a front elevational view showing fluorescent light in an alternative position, raised and pivoted;

FIG. 15 is a front elevational view showing fluorescent light in a further alternative position, raised and pivoted;

FIG. 16 is a right side elevational view showing fluorescent light raised and turned;

FIG. 17 is a sectional view on left side; and,

FIG. 18 is a sectional view on front elevational view.

FOREIGN PATENT DOCUMENTS

2007195	5/1990	United Kingdom .
2016495	8/1991	United Kingdom .
2017379	9/1991	United Kingdom .
2017884	10/1991	United Kingdom .
2248292	9/1993	United Kingdom .

1 Claim, 6 Drawing Sheets

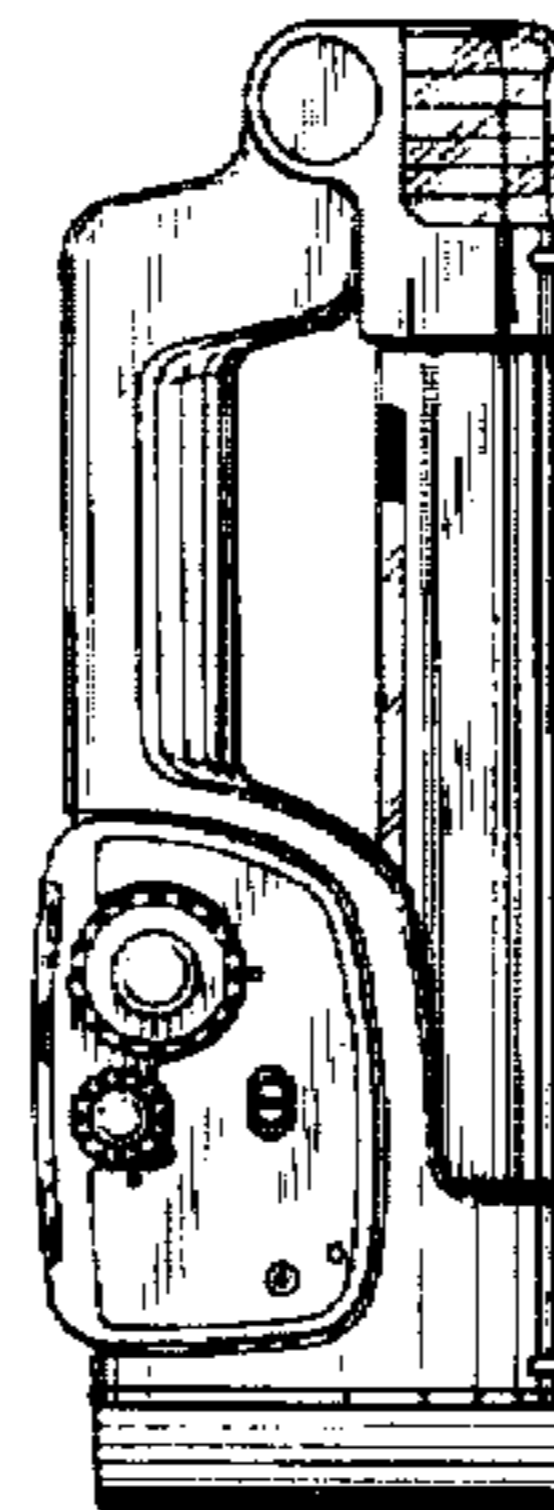
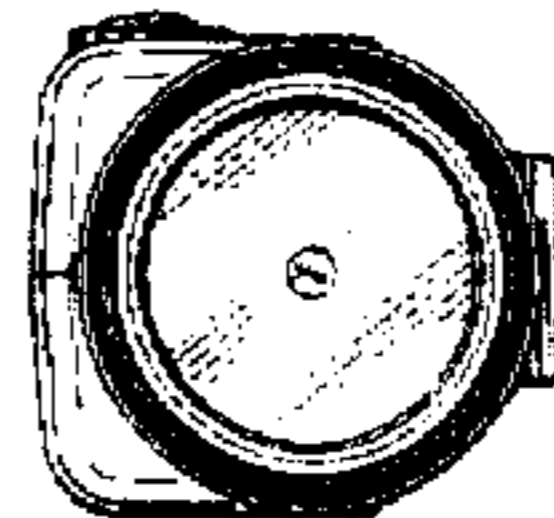


FIG. 1

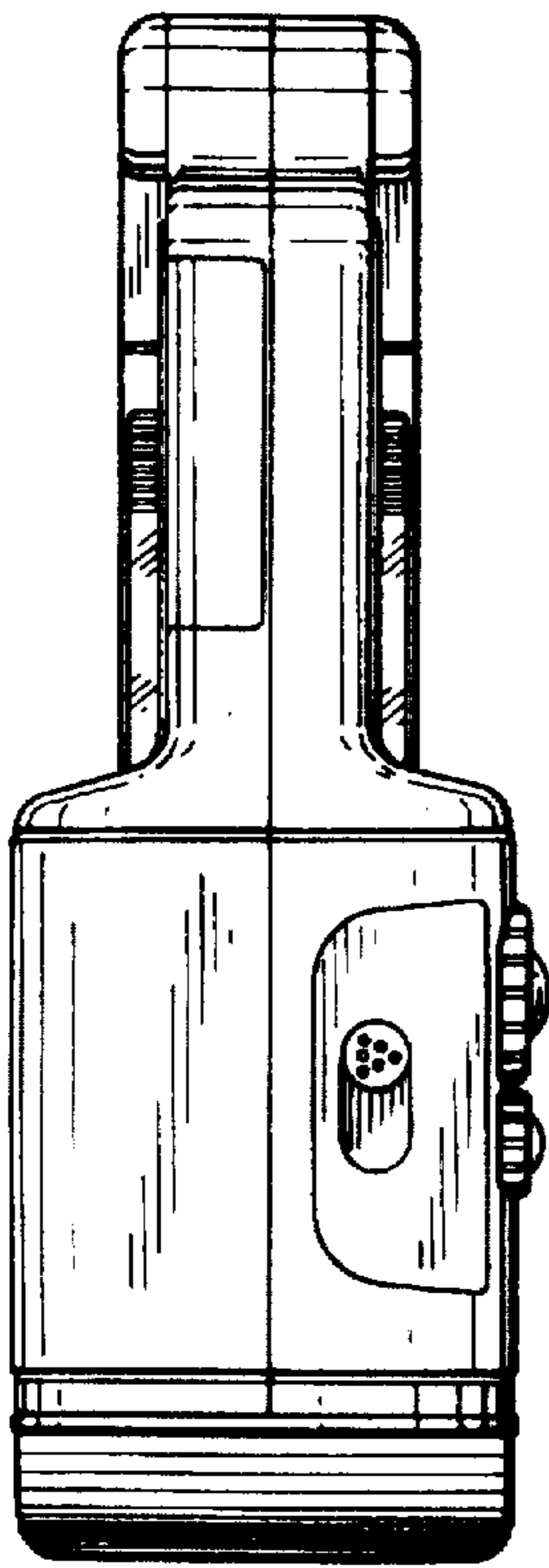
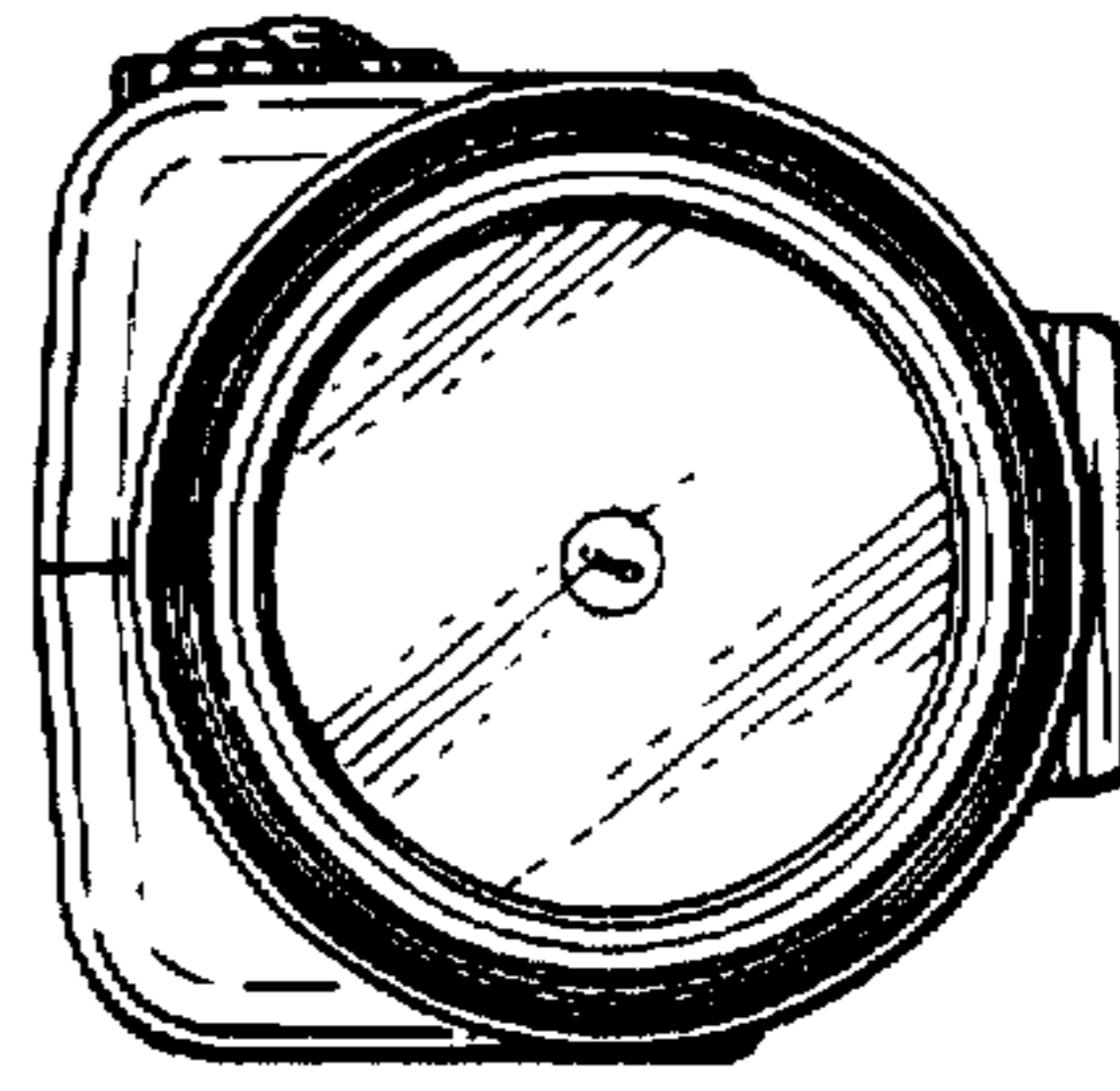


FIG. 2

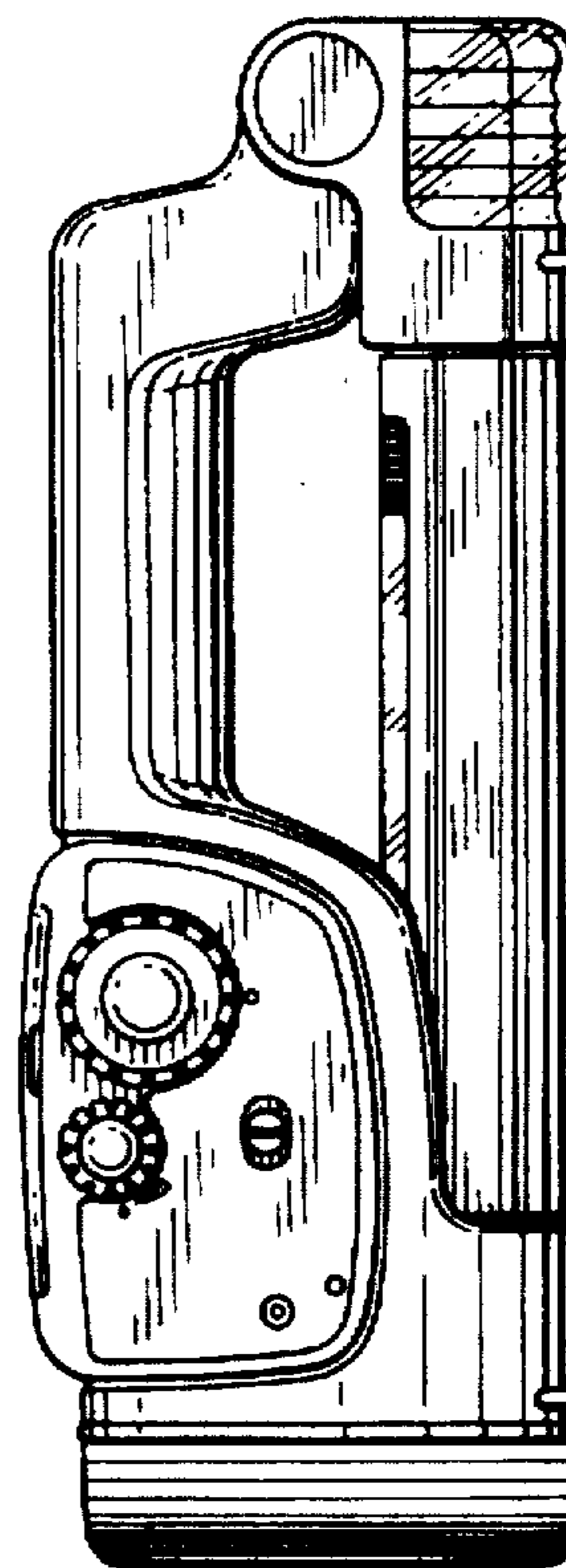
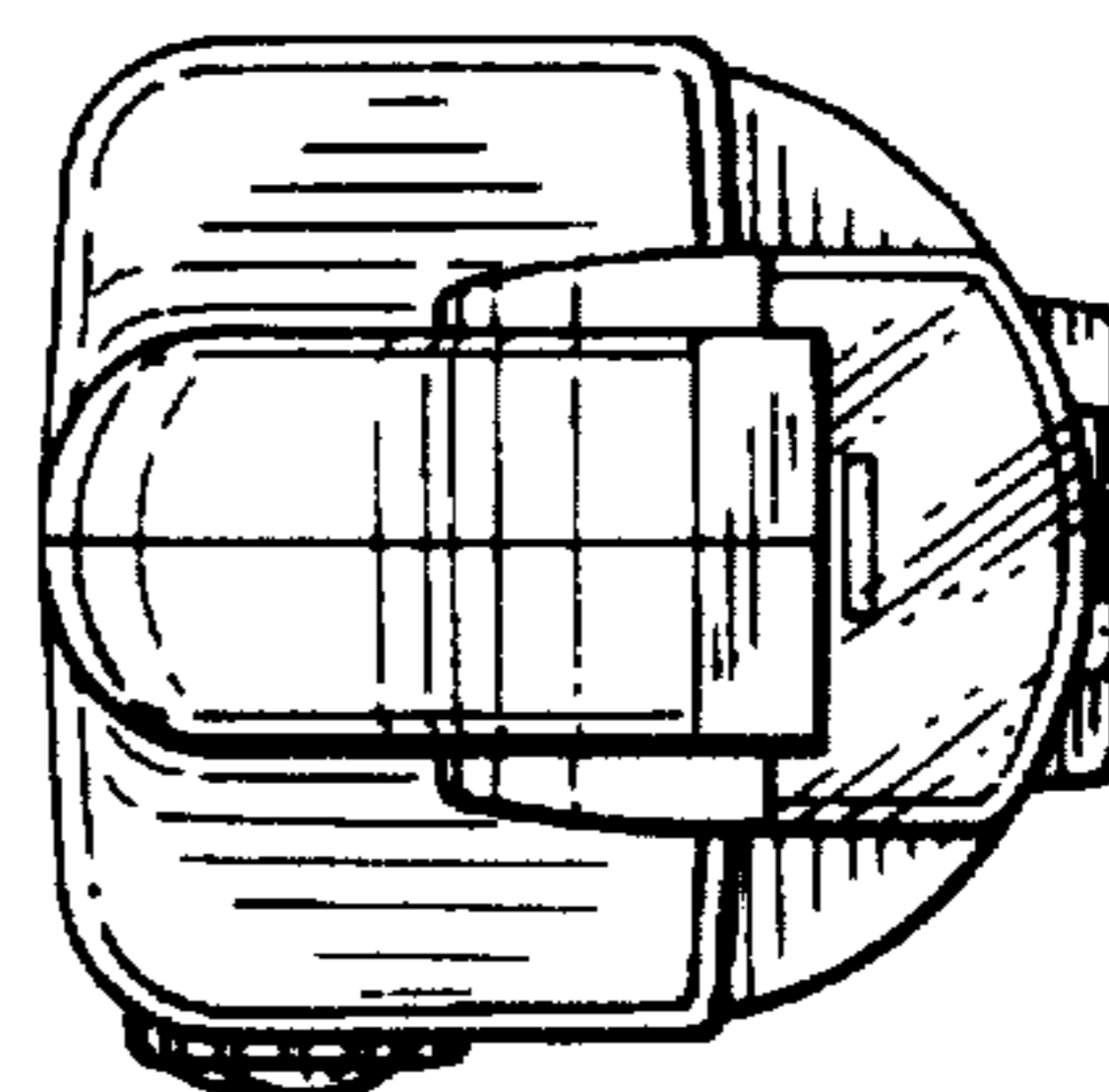


FIG. 3

FIG. 4



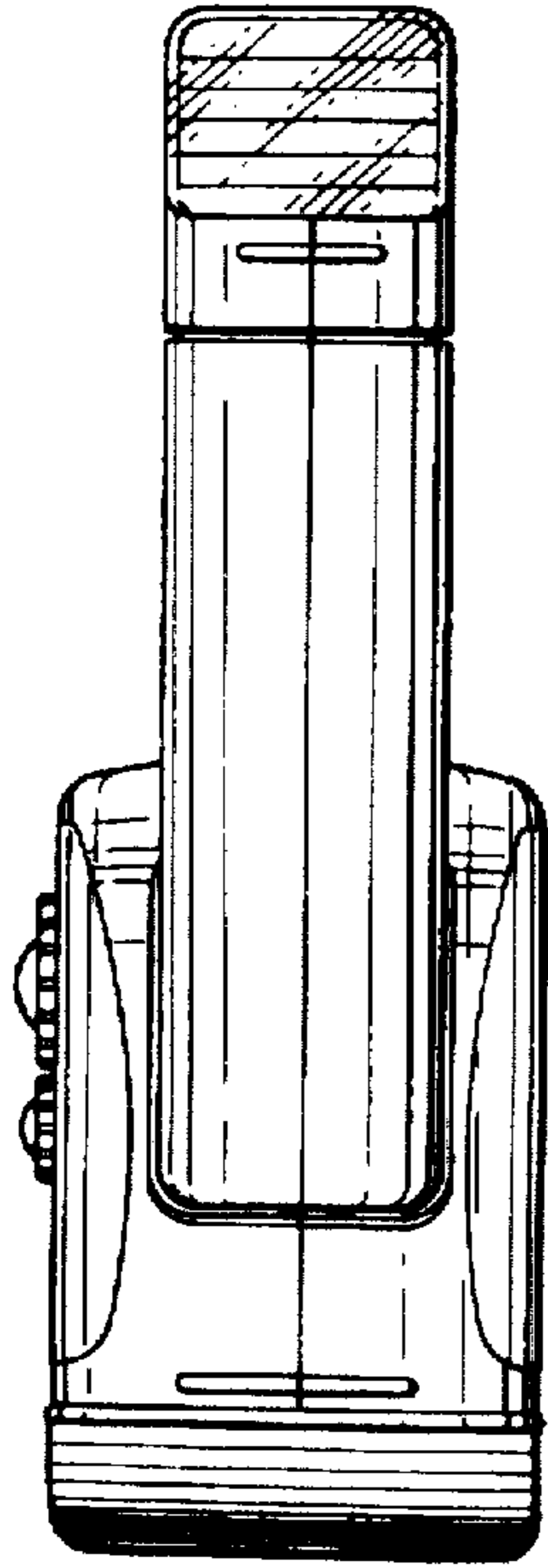


FIG. 5

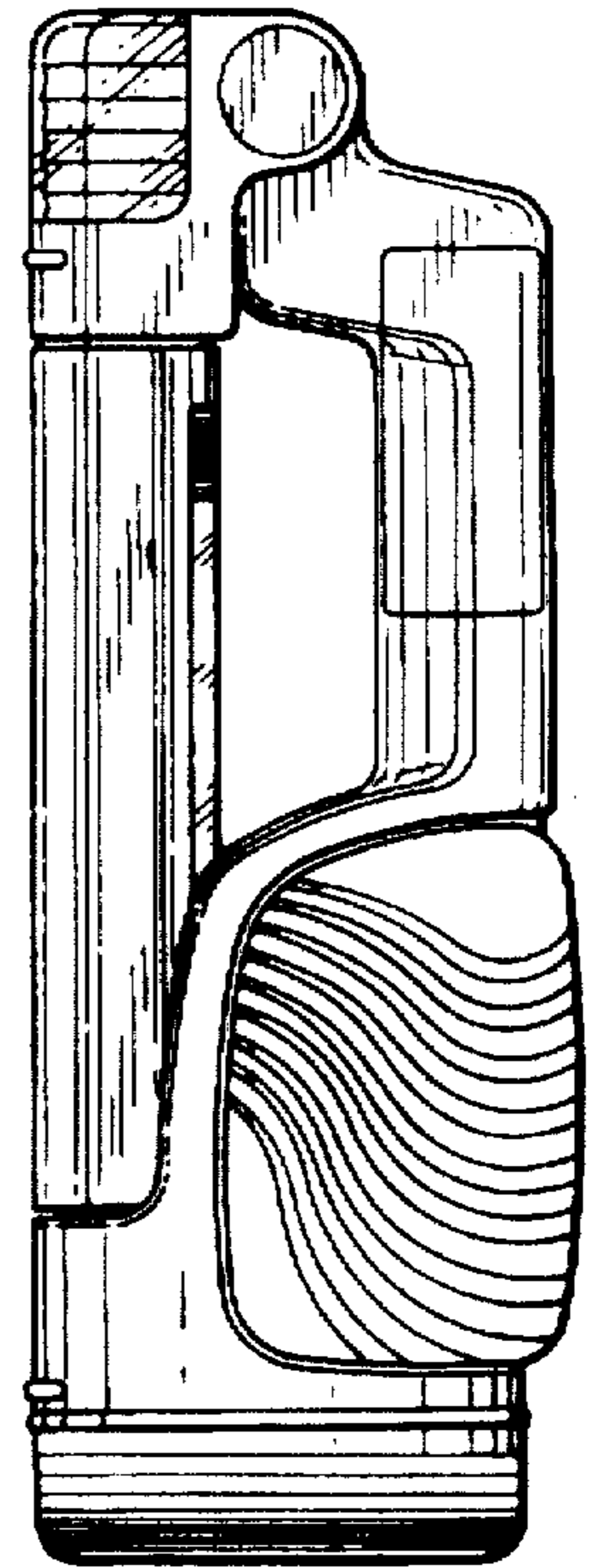


FIG. 6

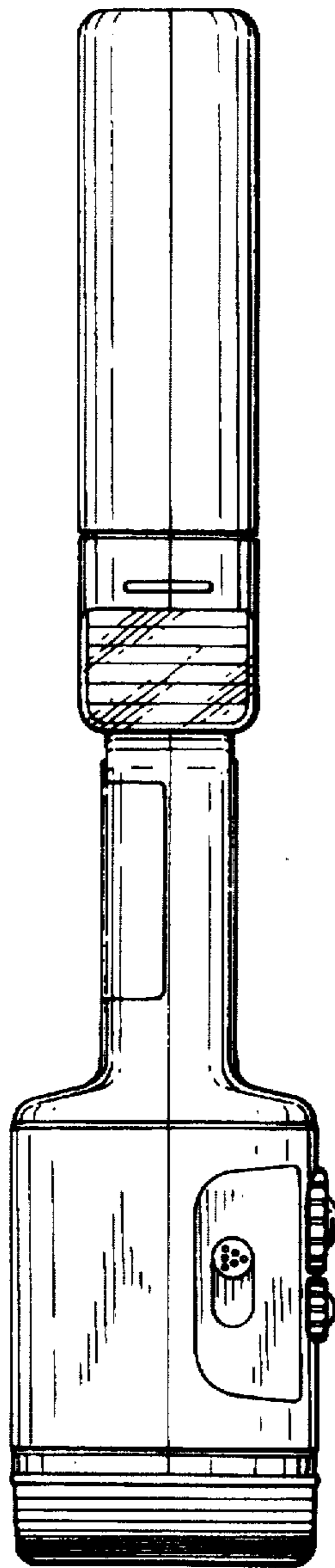


FIG. 7

FIG.9.

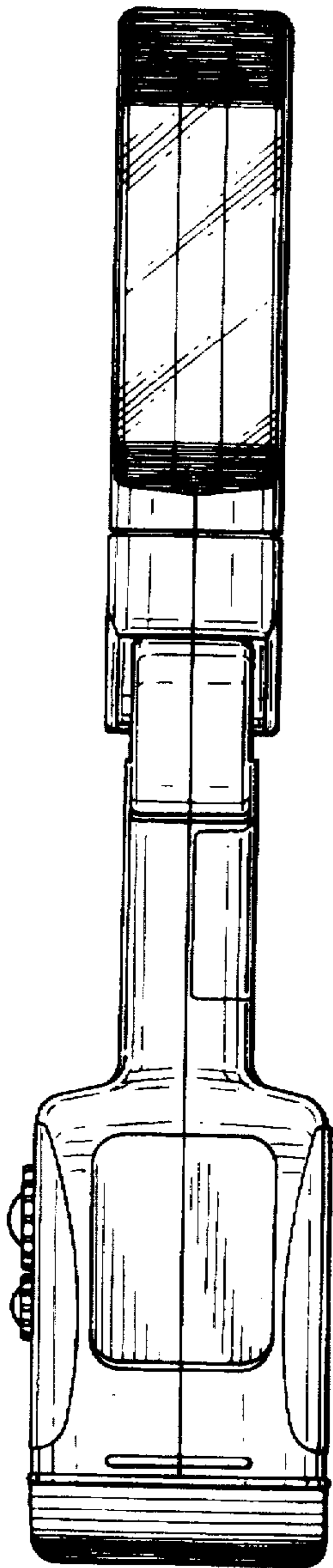


FIG.8

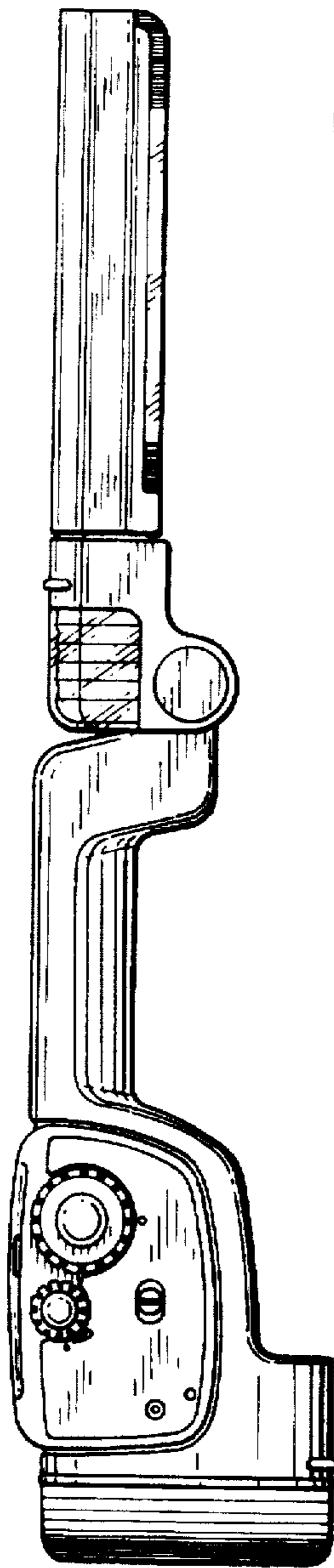


FIG.10

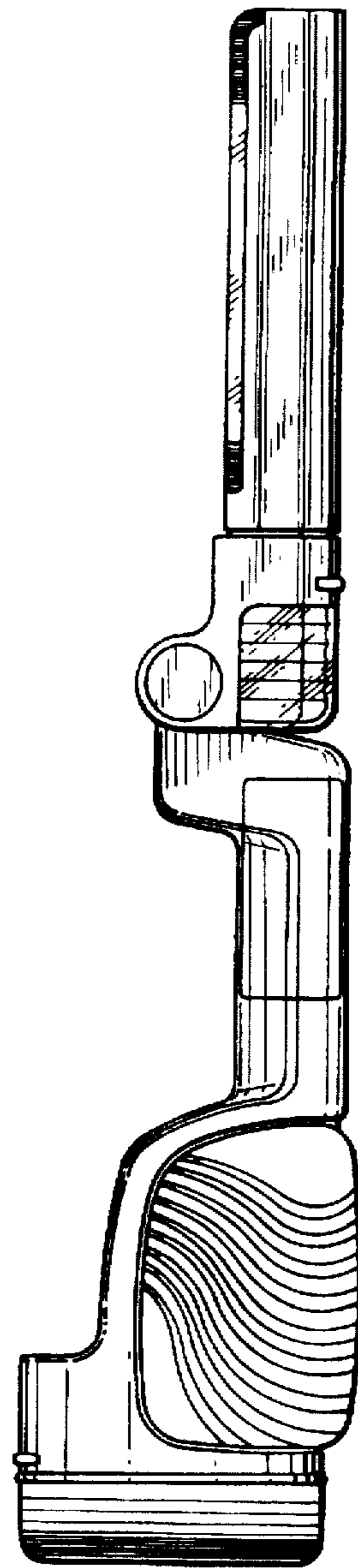


FIG.11

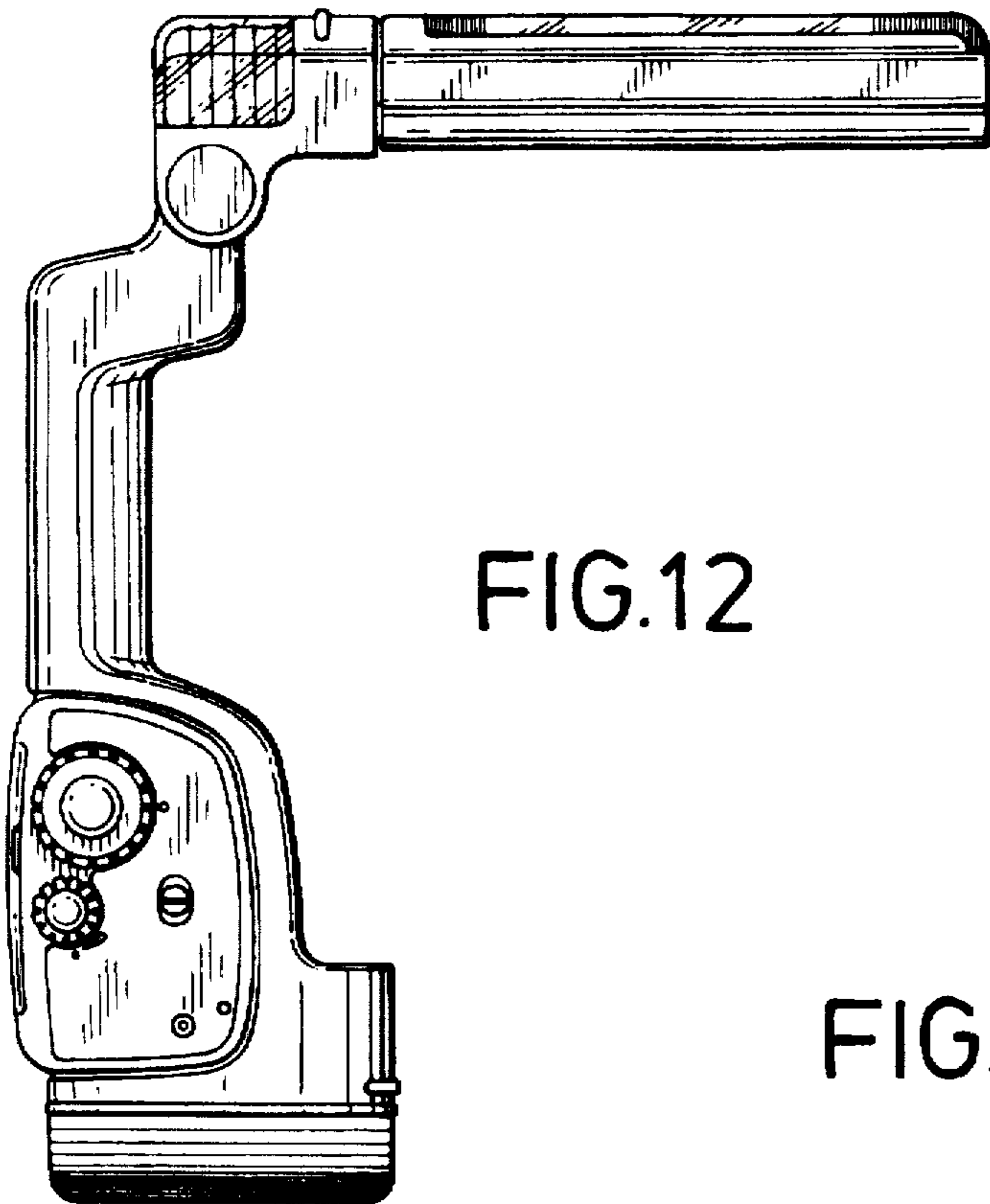
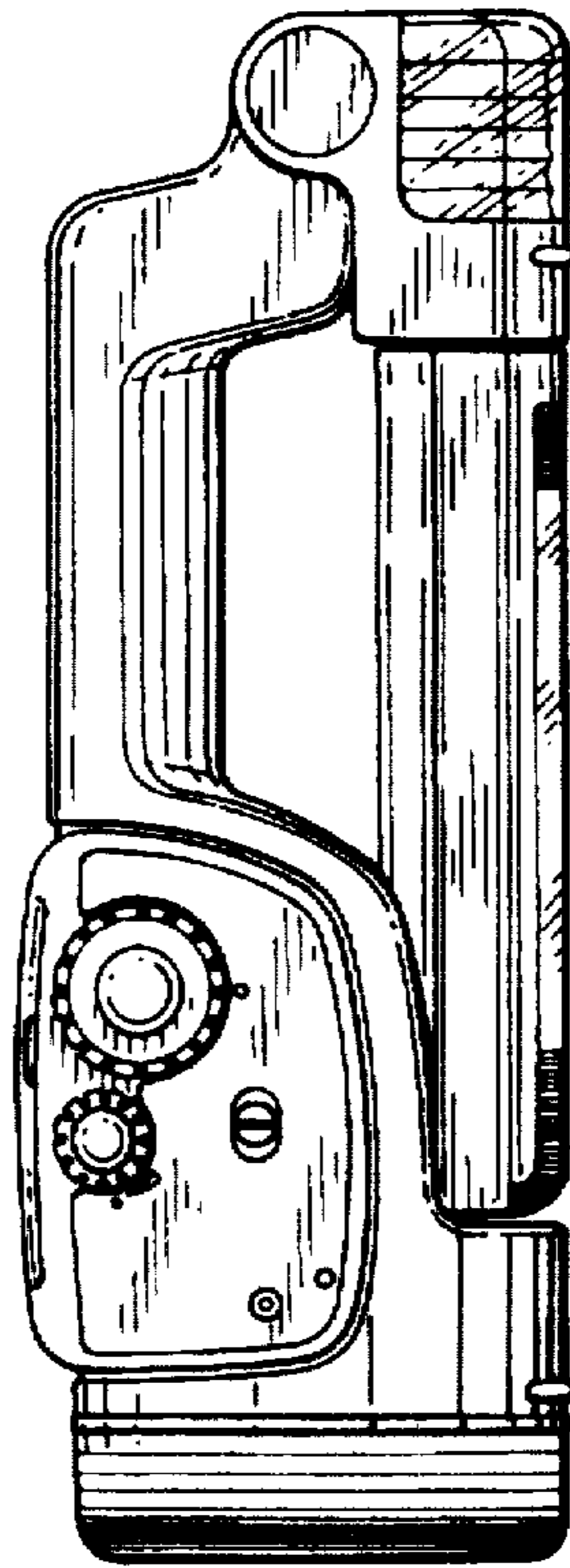
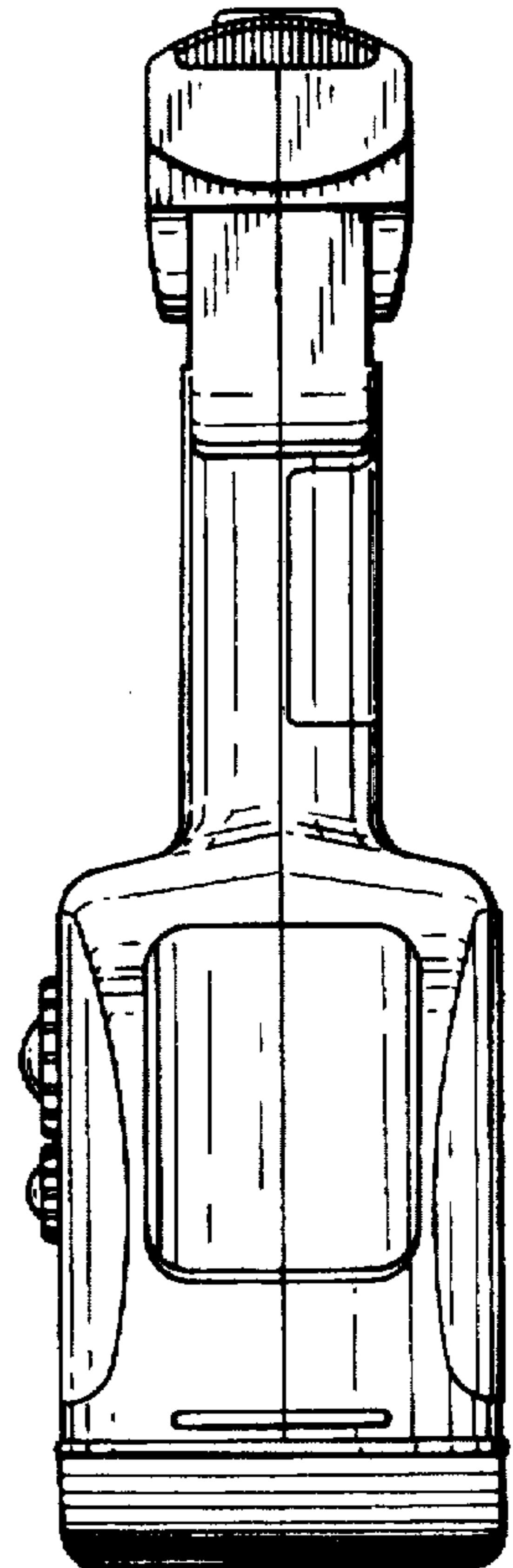


FIG.12

FIG.13



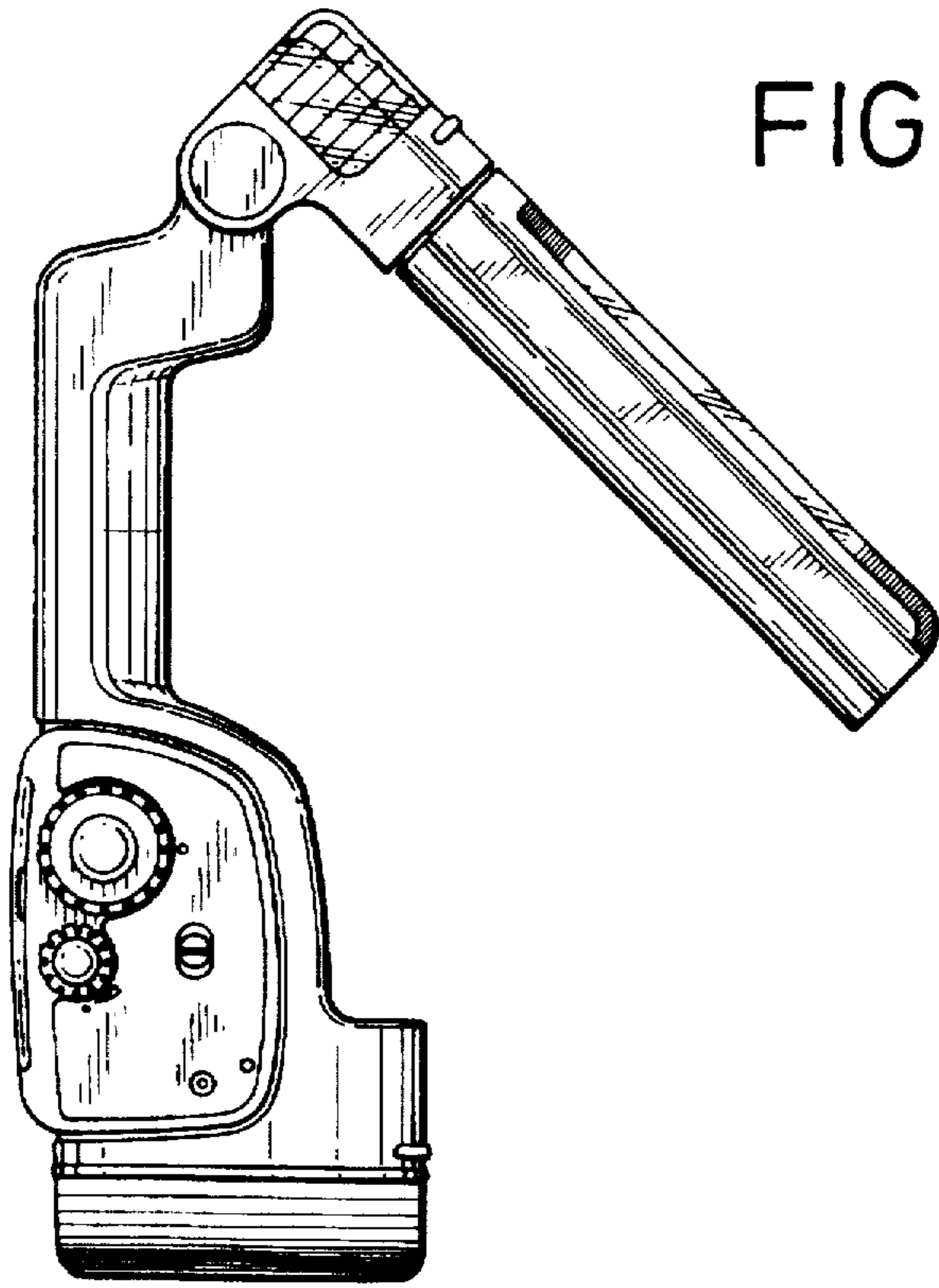


FIG. 14

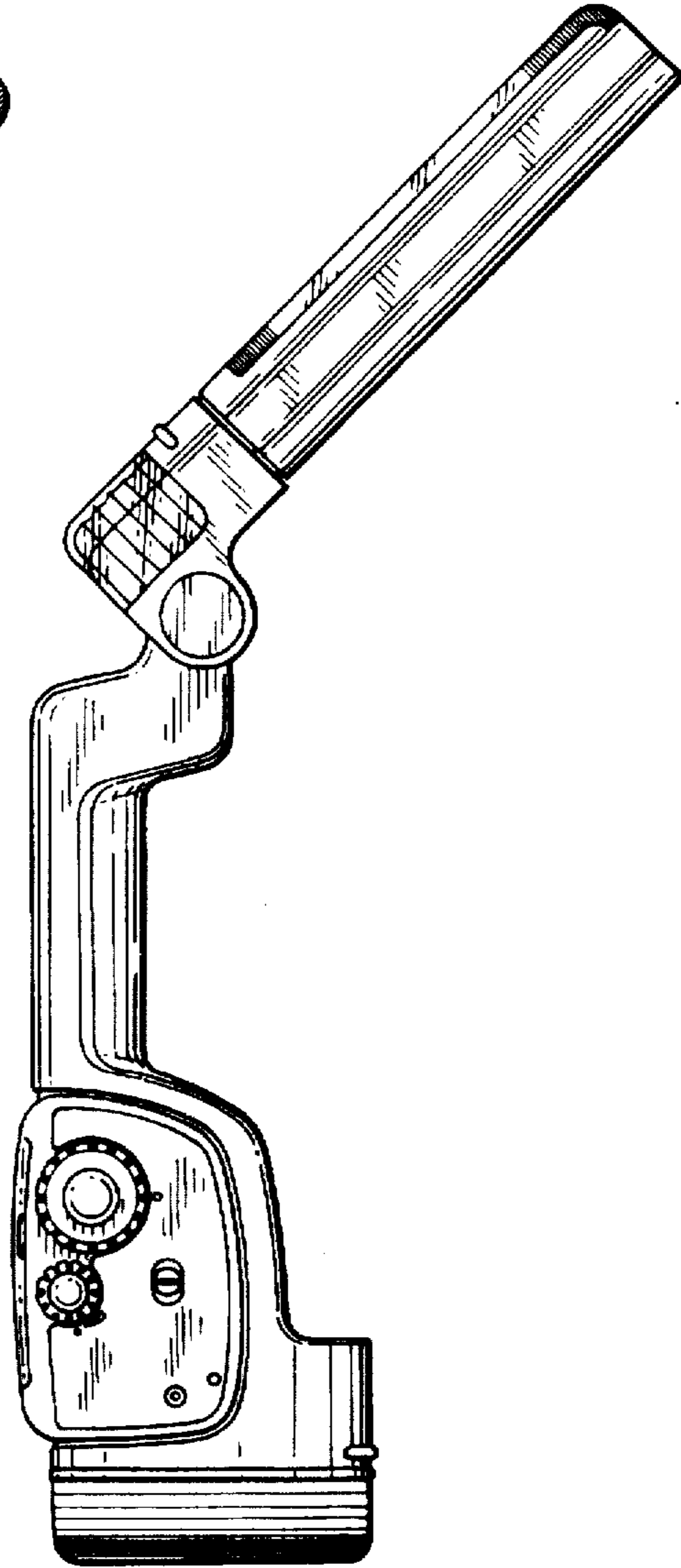


FIG. 15

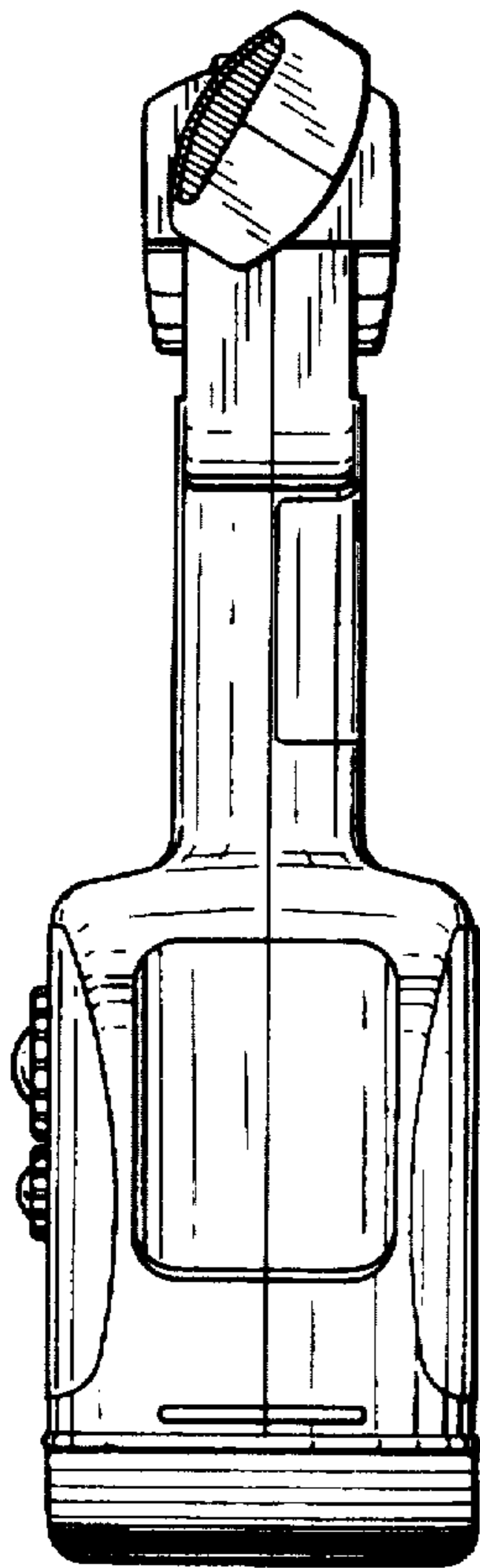


FIG. 16

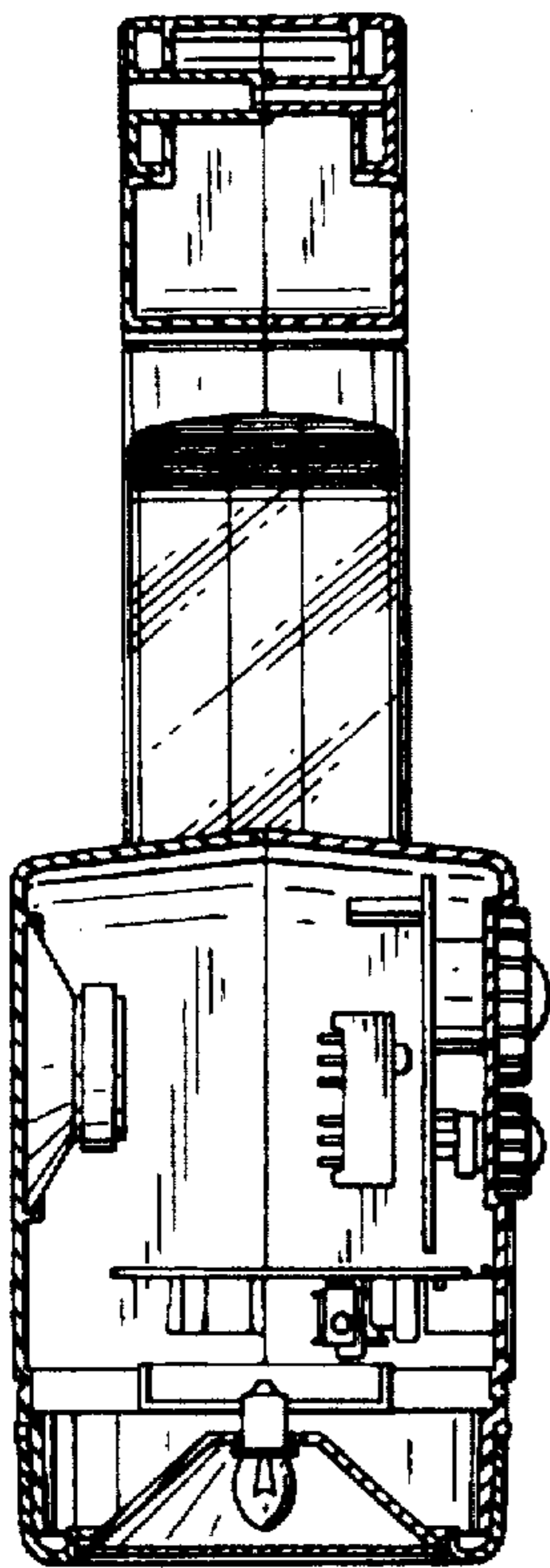


FIG.17

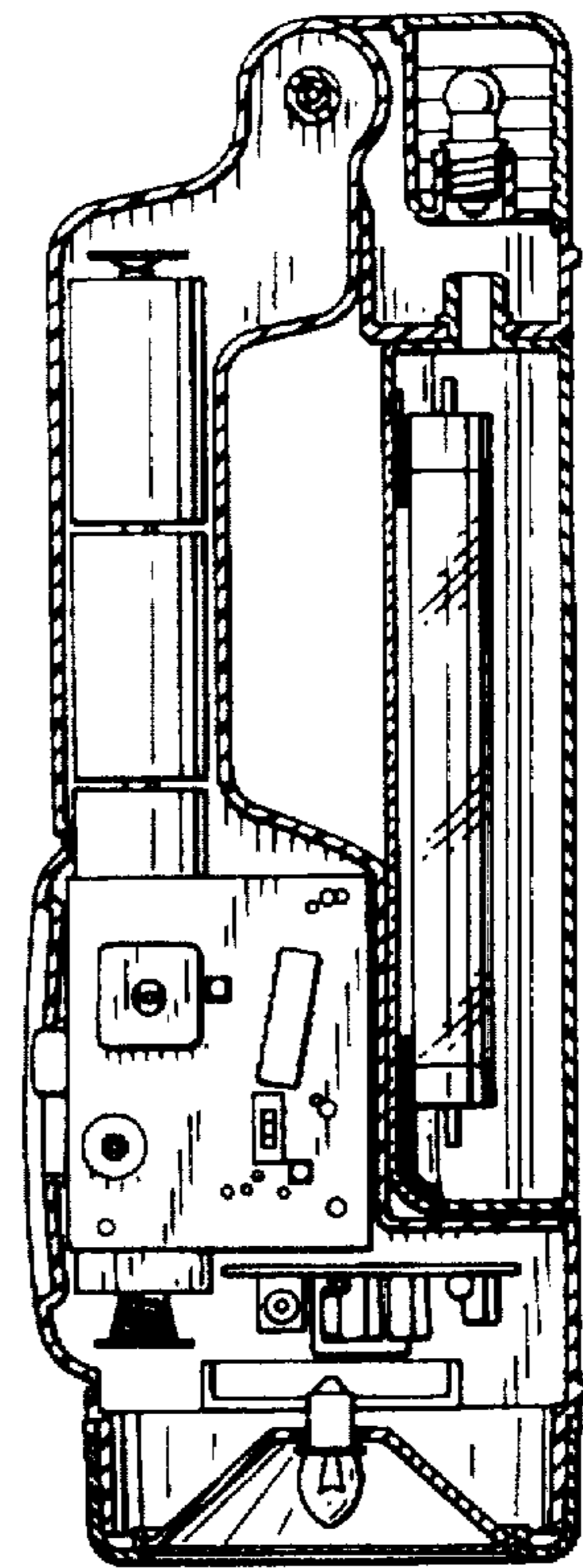


FIG.18