



US00D394910S

**United States Patent** [19]  
**Volker**

[11] **Patent Number: Des. 394,910**

[45] **Date of Patent: \*\*Jun. 2, 1998**

[54] **CANDLE HOLDER**

[76] **Inventor: Fredrick Douglas Volker, P.O. Box 649, Sadler, Tex. 76264**

[\*\*] **Term: 14 Years**

[21] **Appl. No.: 52,402**

[22] **Filed: Mar. 29, 1996**

[51] **LOC (6) Cl. .... 26-01**

[52] **U.S. Cl. .... D26/9**

[58] **Field of Search ..... D26/9-12, 23; 431/288-292; 362/161-163**

[56] **References Cited**

**U.S. PATENT DOCUMENTS**

- D. 289,105 4/1987 Sussman ..... D7/612
- D. 313,479 1/1991 Goldberg ..... D26/9
- D. 375,567 11/1996 Hardy ..... D26/9

**OTHER PUBLICATIONS**

Gifts and Decorative Accessories, item #495, p. 116, Sep. 1971.

*Primary Examiner*—Alan P. Douglas  
*Assistant Examiner*—Robin V. Taylor  
*Attorney, Agent, or Firm*—L. Dan Tucker

[57] **CLAIM**

The ornamental design for a candle holder, as shown and described.

**DESCRIPTION**

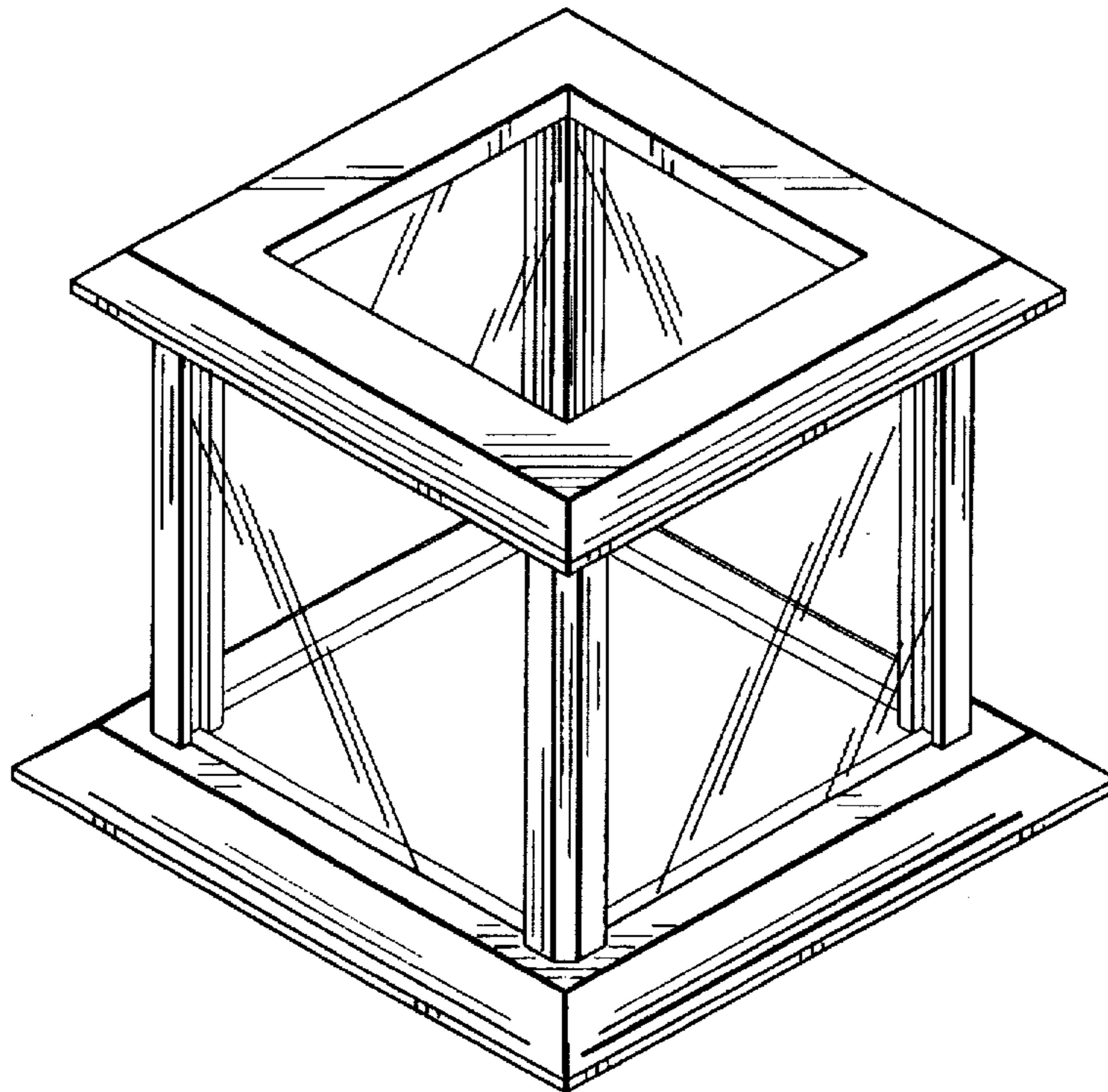
FIG. 1 is a perspective view of the candle holder showing my new design;

FIG. 2 is a side elevational view thereof, it being understood that the side elevational view of the remaining three sides will be the mirror image thereof;

FIG. 3 is a top plan view thereof; and,

FIG. 4 is a bottom plan view thereof.

**1 Claim, 2 Drawing Sheets**



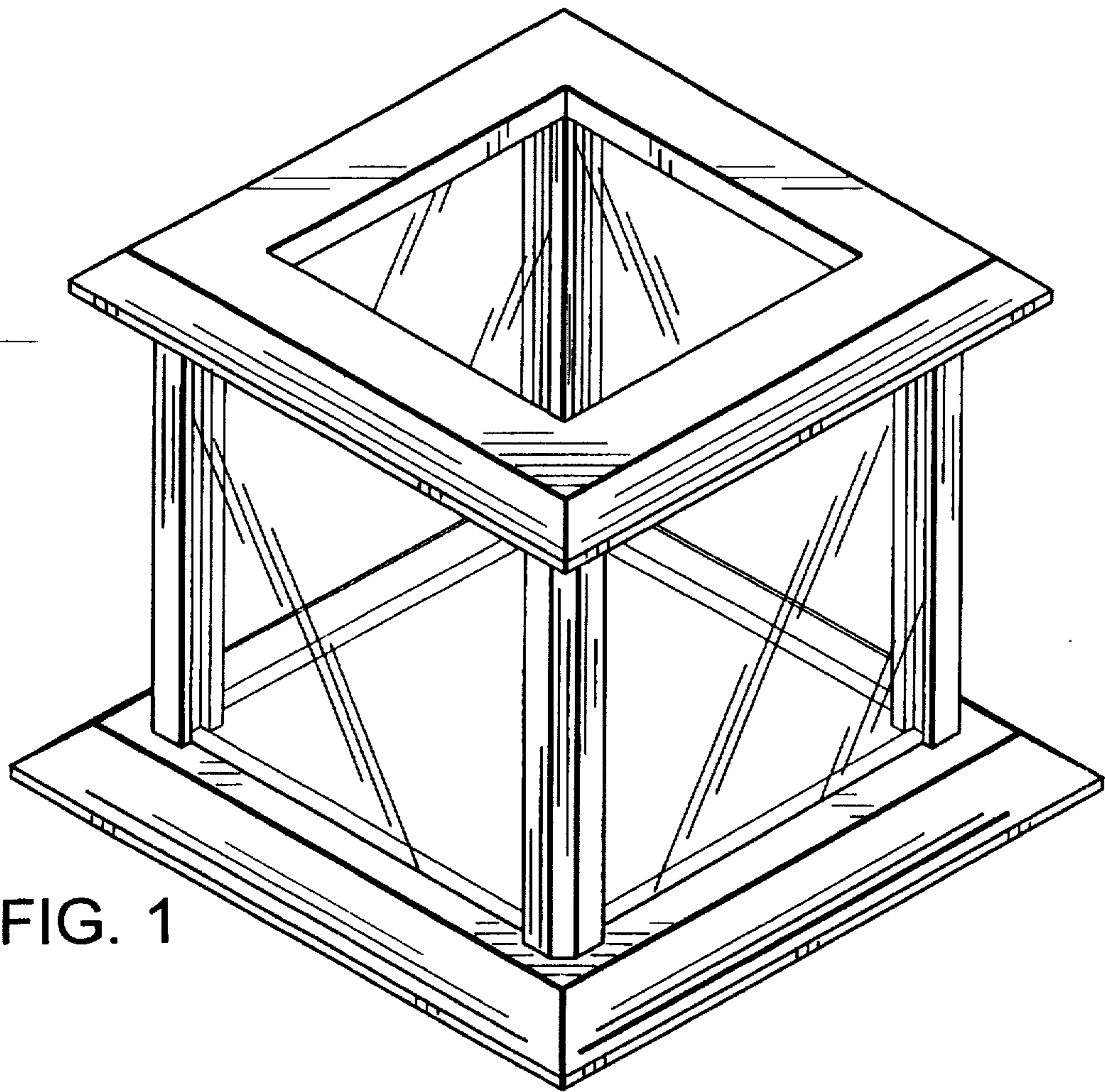


FIG. 1

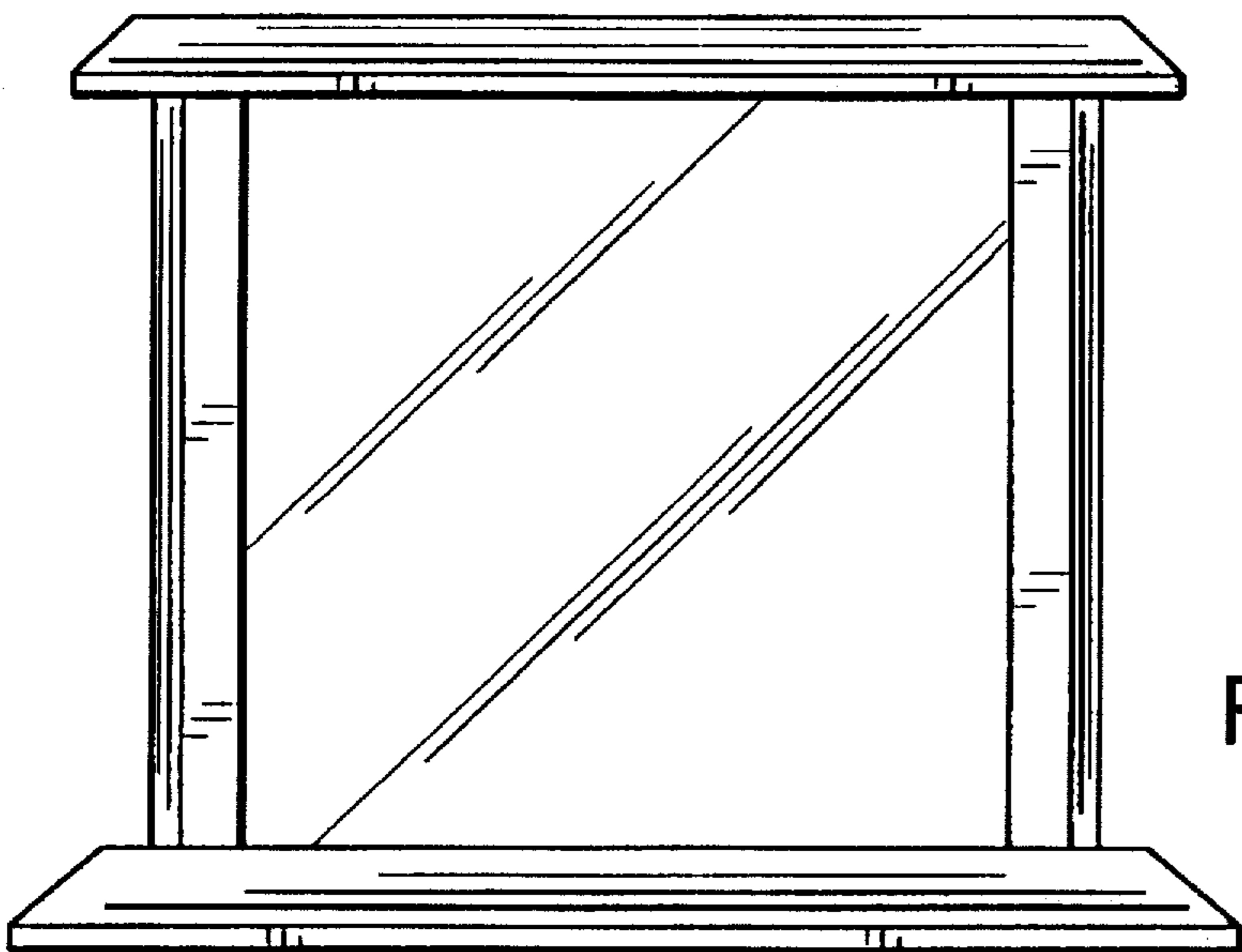


FIG. 2

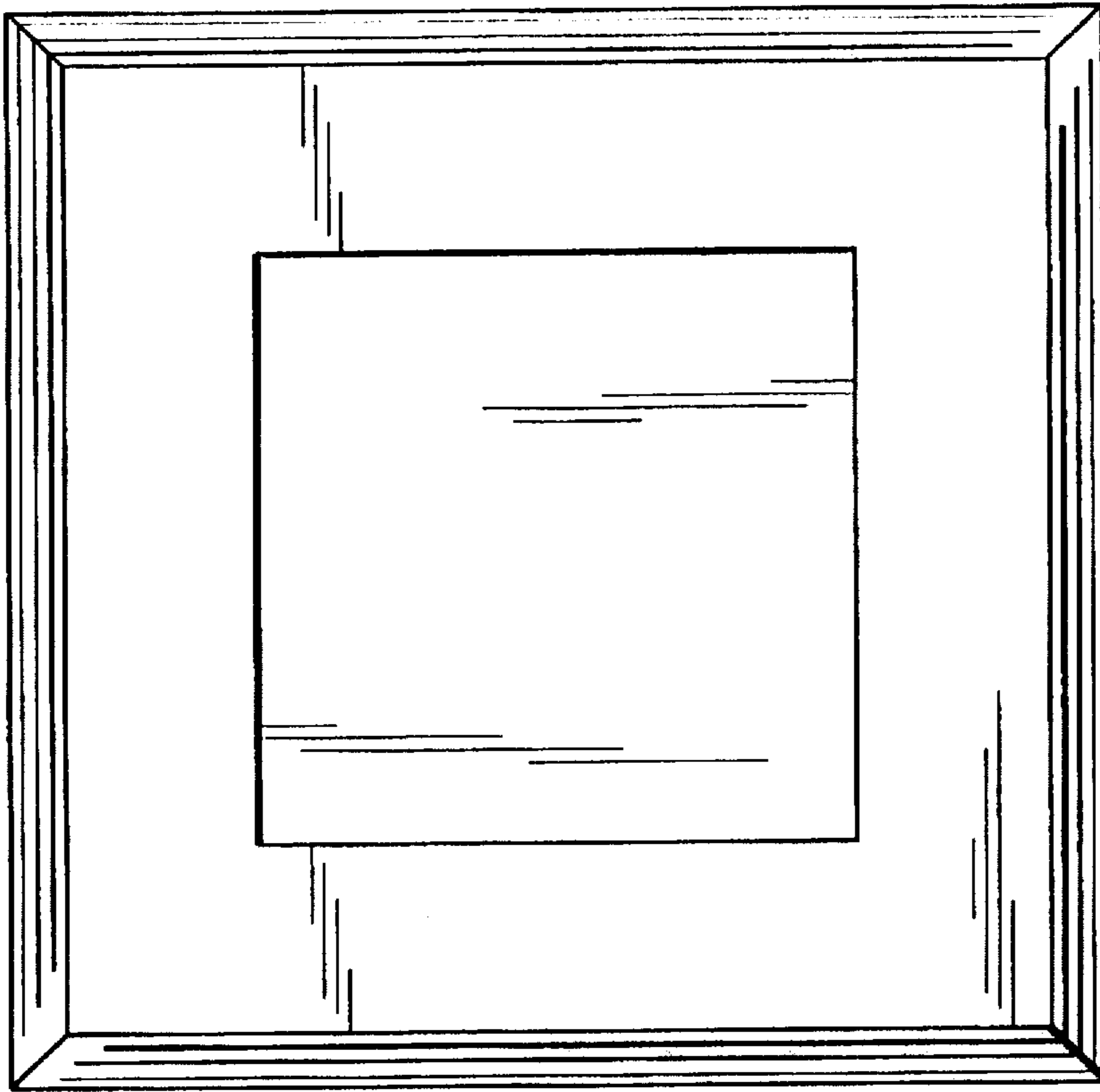


FIG. 3

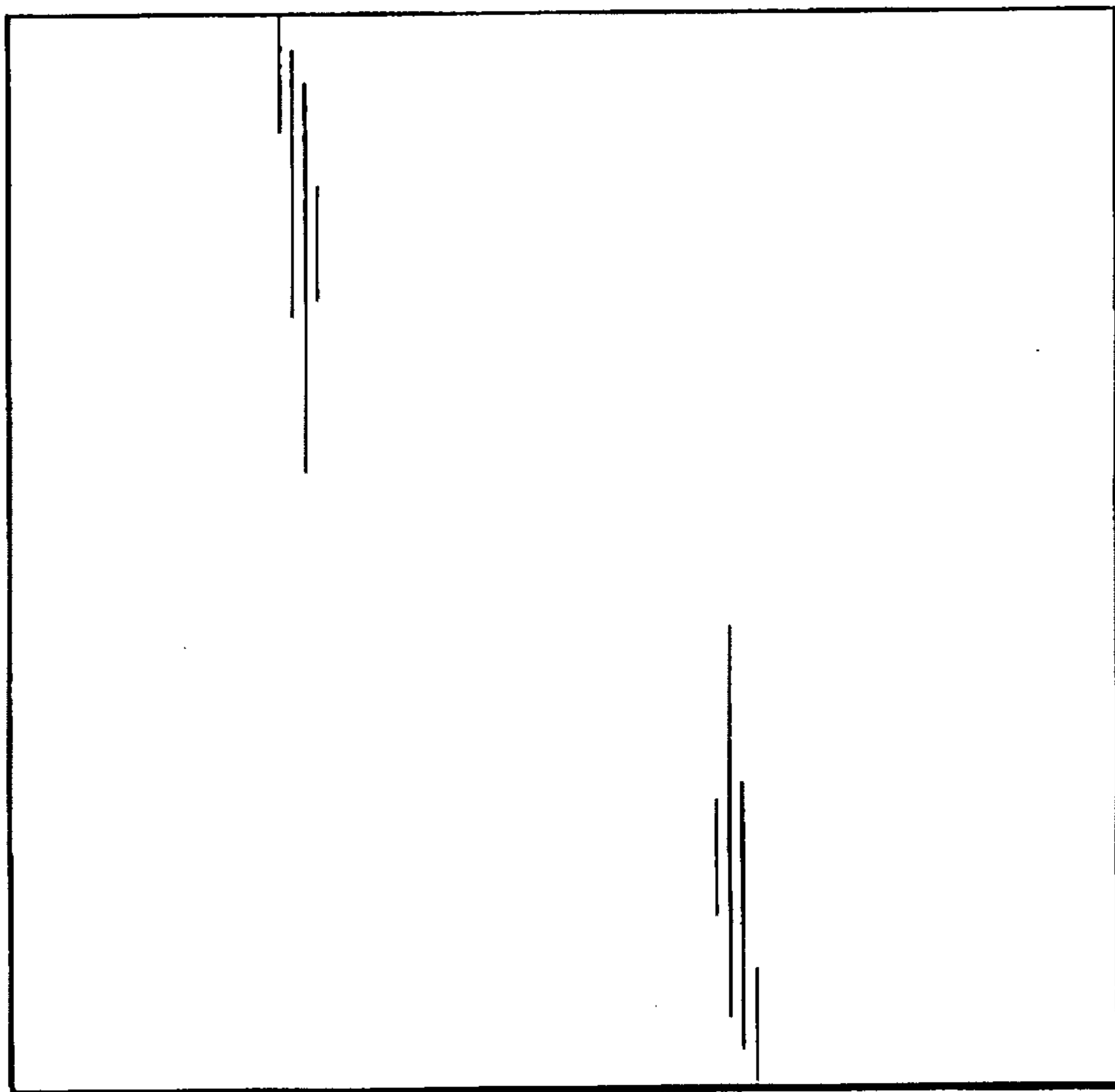


FIG. 4