



US00D394909S

United States Patent [19]
Gabriele

[11] **Patent Number:** **Des. 394,909**

[45] **Date of Patent:** ****Jun. 2, 1998**

[54] **WINDOW FRAME COMPONENT**

3,859,754 1/1975 Budich et al. 52/204.5
4,676,026 6/1987 Schreiner 49/504

[75] **Inventor:** **Angelo Gabriele, Woodbridge, Canada**

[73] **Assignee:** **Vinylbilt Shutters Systems Inc.,
Woodbridge, Canada**

Primary Examiner—Doris Clark

[**] **Term:** **14 Years**

[57] **CLAIM**

[21] **Appl. No.:** **74,856**

The ornamental design for a window frame component, as shown and described.

[22] **Filed:** **Jul. 24, 1997**

DESCRIPTION

[51] **LOC (6) Cl.** **25-01**

FIG. 1 is a perspective view of the window frame component; and,

[52] **U.S. Cl.** **D25/124**

FIG. 2 is an end view of the window frame component.

[58] **Field of Search** D25/52, 119-125,
D25/60; 49/504, DIG. 2, 501, 407-408;
52/204.5

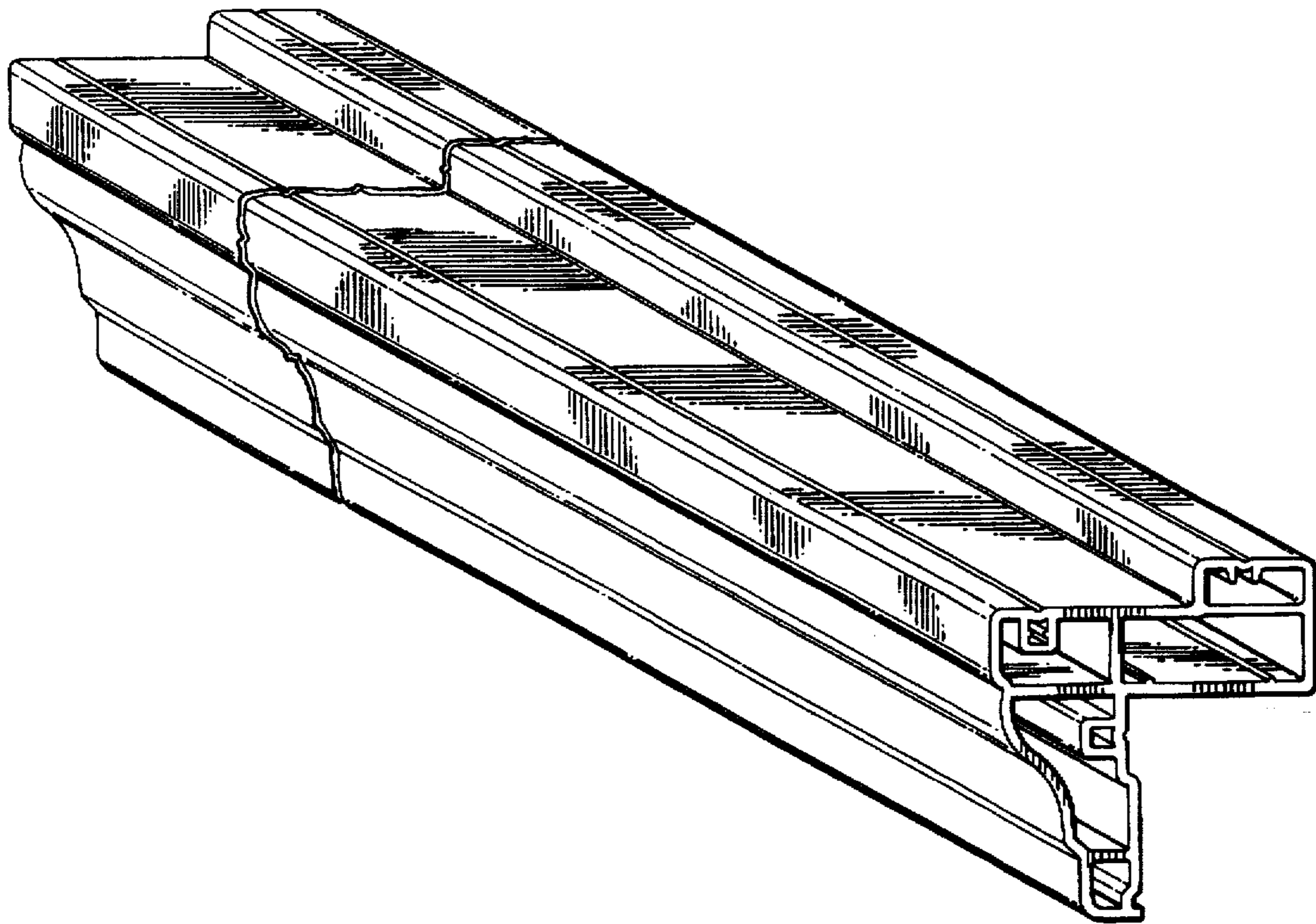
The window frame component of FIG. 1 is broken away to indicate indefinite length.

[56] **References Cited**

U.S. PATENT DOCUMENTS

D. 355,720 2/1995 Bancroft D25/124

1 Claim, 1 Drawing Sheet



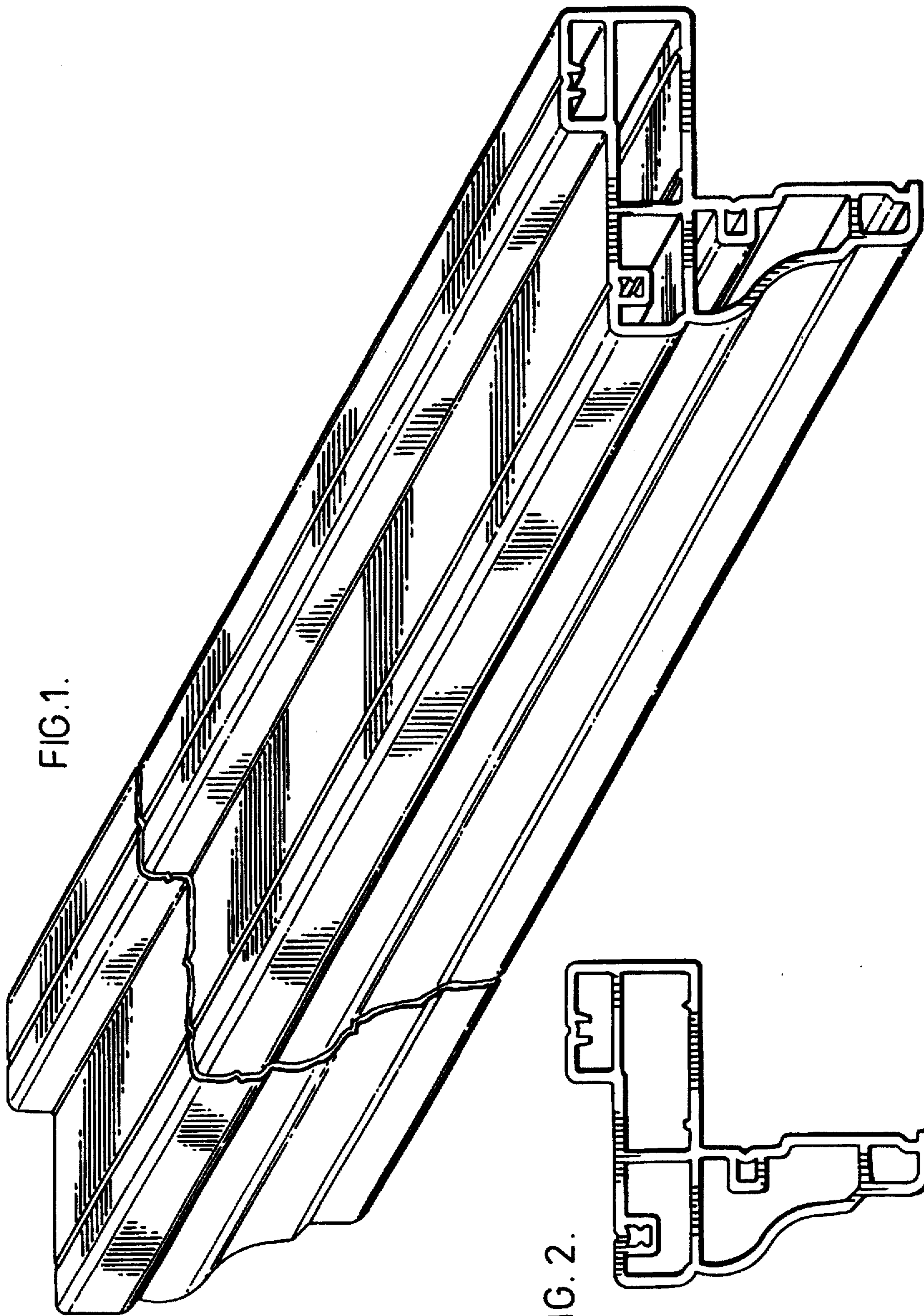


FIG. 1.

FIG. 2.