



US00D394904S

United States Patent [19]
Hayashi

[11] **Patent Number: Des. 394,904**
[45] **Date of Patent: **Jun. 2, 1998**

[54] **CONTROL DEVICE FOR NON-CONTACT
EYE PRESSURE MEASURING APPARATUS**

D. 330,769 11/1992 Blaha et al. D24/172
3,564,907 2/1971 Holcomb et al. 600/405
5,474,066 12/1995 Grolman 600/383

[75] Inventor: **Hideki Hayashi**, Tokyo, Japan

Primary Examiner—Stella Reid

[73] Assignee: **Canon Kabushiki Kaisha**, Tokyo,
Japan

Attorney, Agent, or Firm—Fitzpatrick, Cella, Harper &
Scinto

[**] Term: **14 Years**

[57] **CLAIM**

[21] Appl. No.: **64,219**

The ornamental design for a control device for non-contact
eye-pressure measuring apparatus, shown and described.

[22] Filed: **Dec. 24, 1996**

DESCRIPTION

[30] **Foreign Application Priority Data**

Jul. 9, 1996 [JP] Japan 8-20450

FIG. 1 is a front view of a control device for non-contact
eye-pressure measuring apparatus showing my new design;

[51] LOC (6) Cl. **24-01**

FIG. 2 is a rear view thereof;

[52] U.S. Cl. **D24/172**

FIG. 3 is a top plan view thereof;

[58] Field of Search D24/172; 600/398,
600/399, 400, 404, 405, 383

FIG. 4 is a bottom plan view thereof;

FIG. 5 is a right side elevational view thereof, the opposite
side elevational view being identical thereto; and,

FIG. 6 is a perspective view thereof.

[56] **References Cited**

U.S. PATENT DOCUMENTS

D. 320,077 9/1991 Okoizumi D24/172

1 Claim, 3 Drawing Sheets

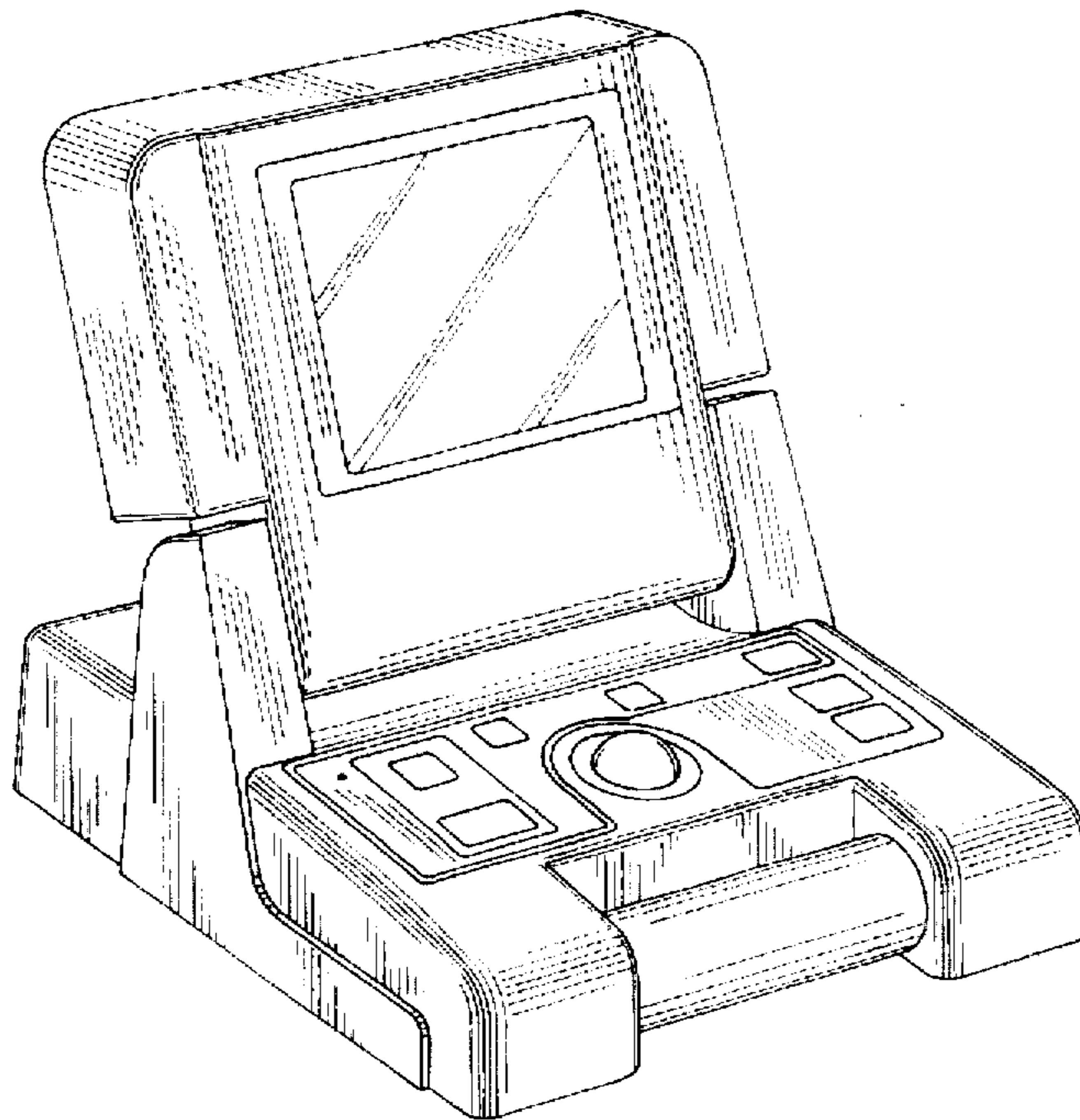


FIG. 1

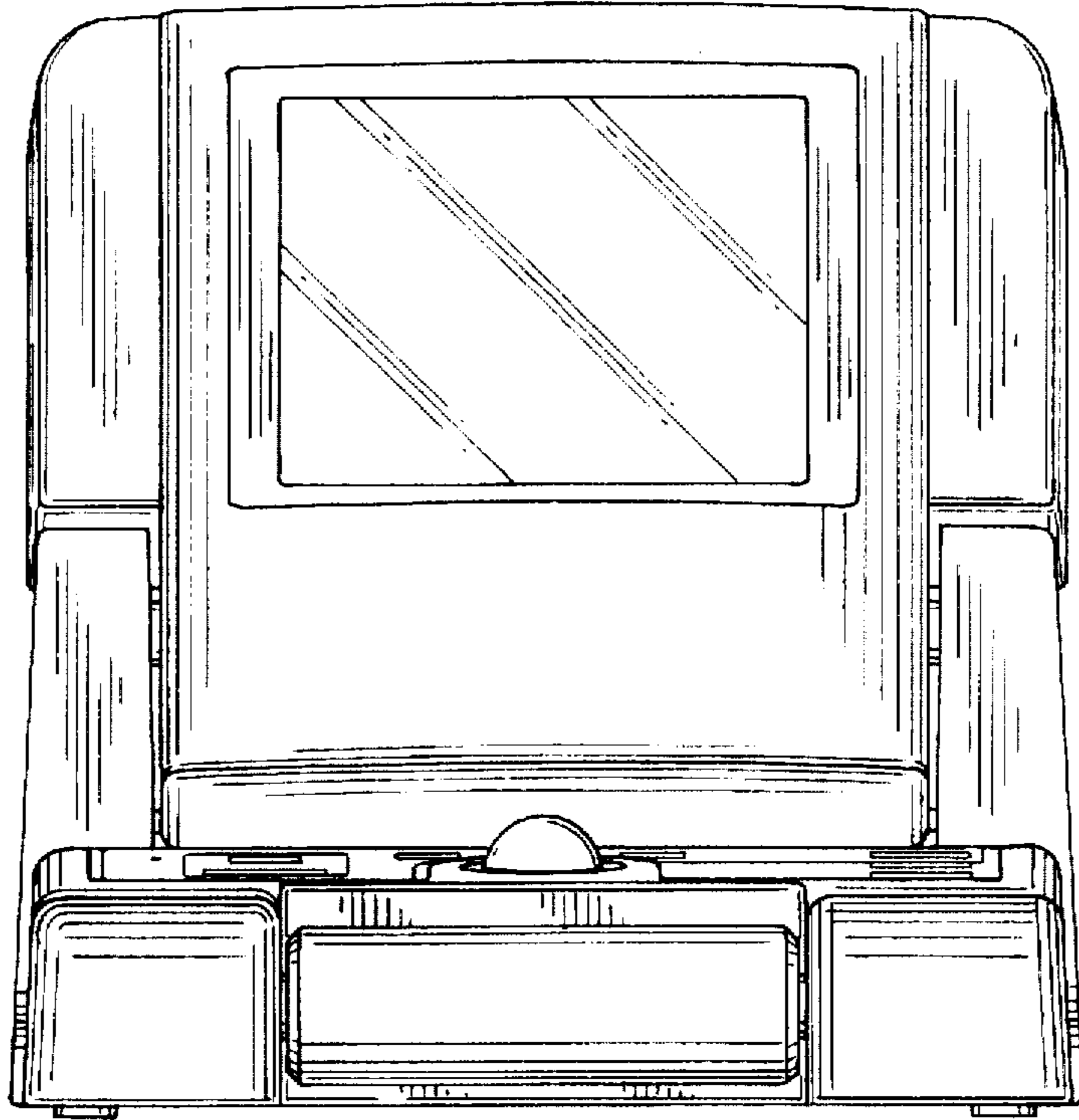


FIG. 2

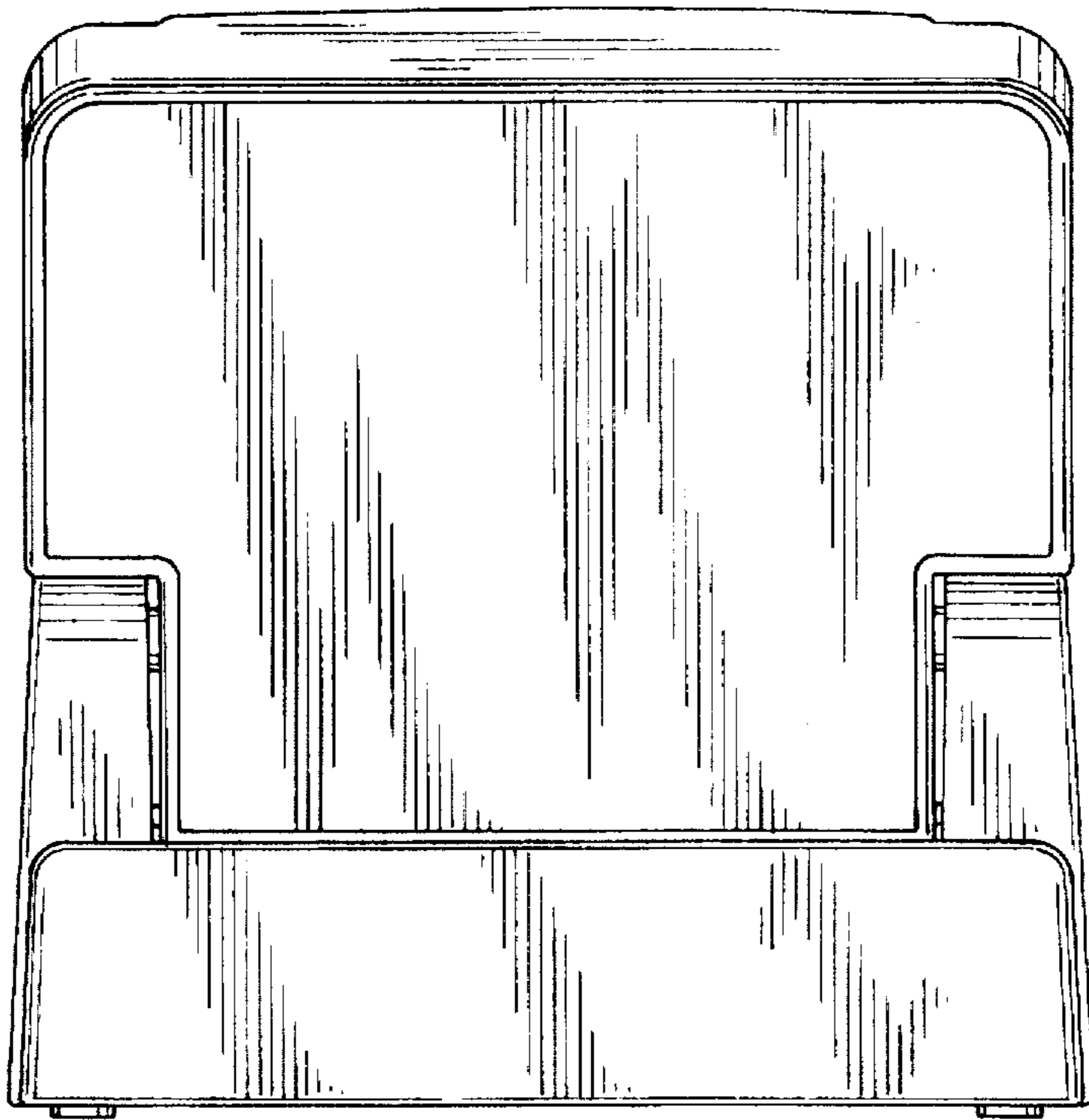


FIG. 3

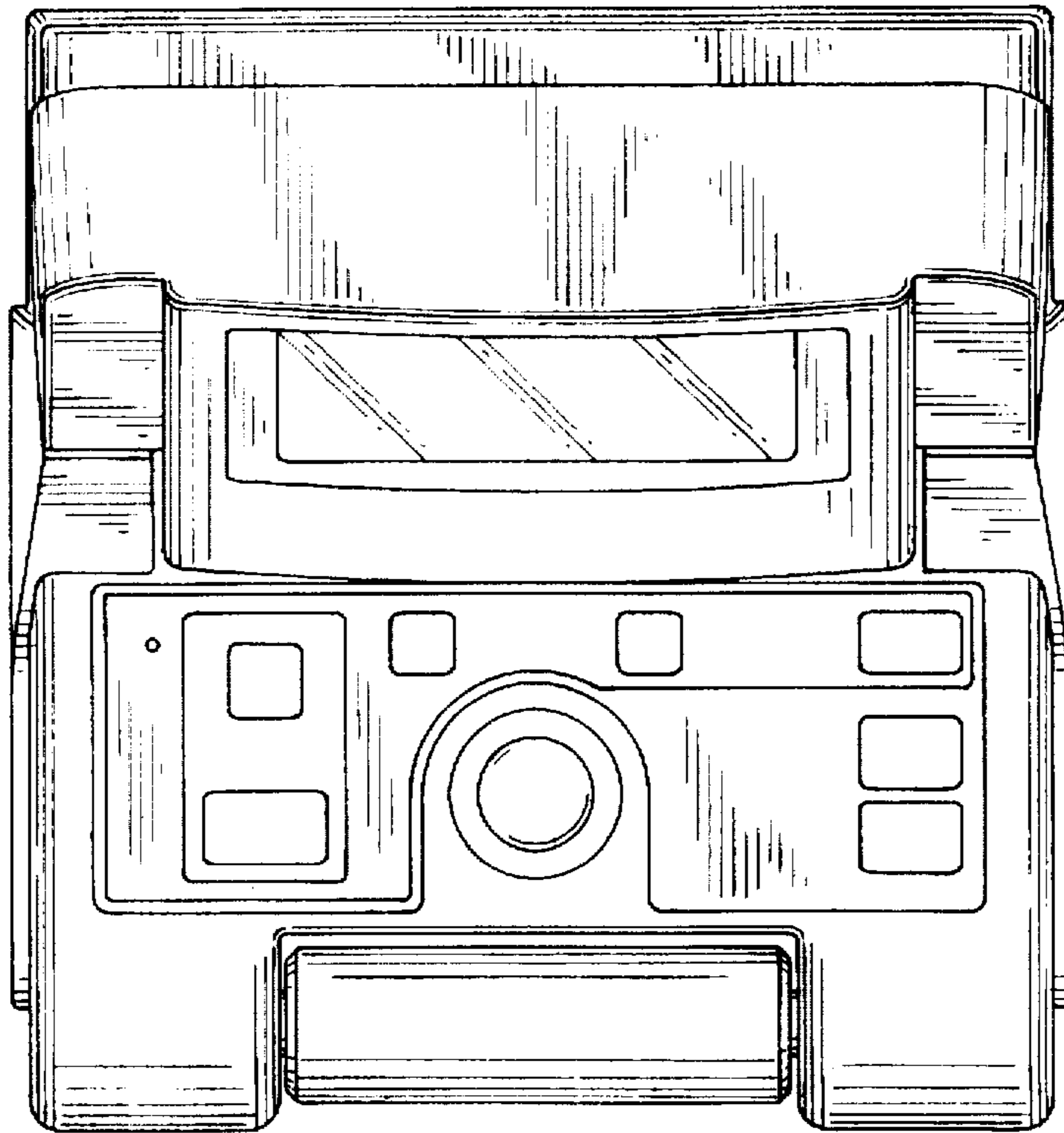


FIG. 4

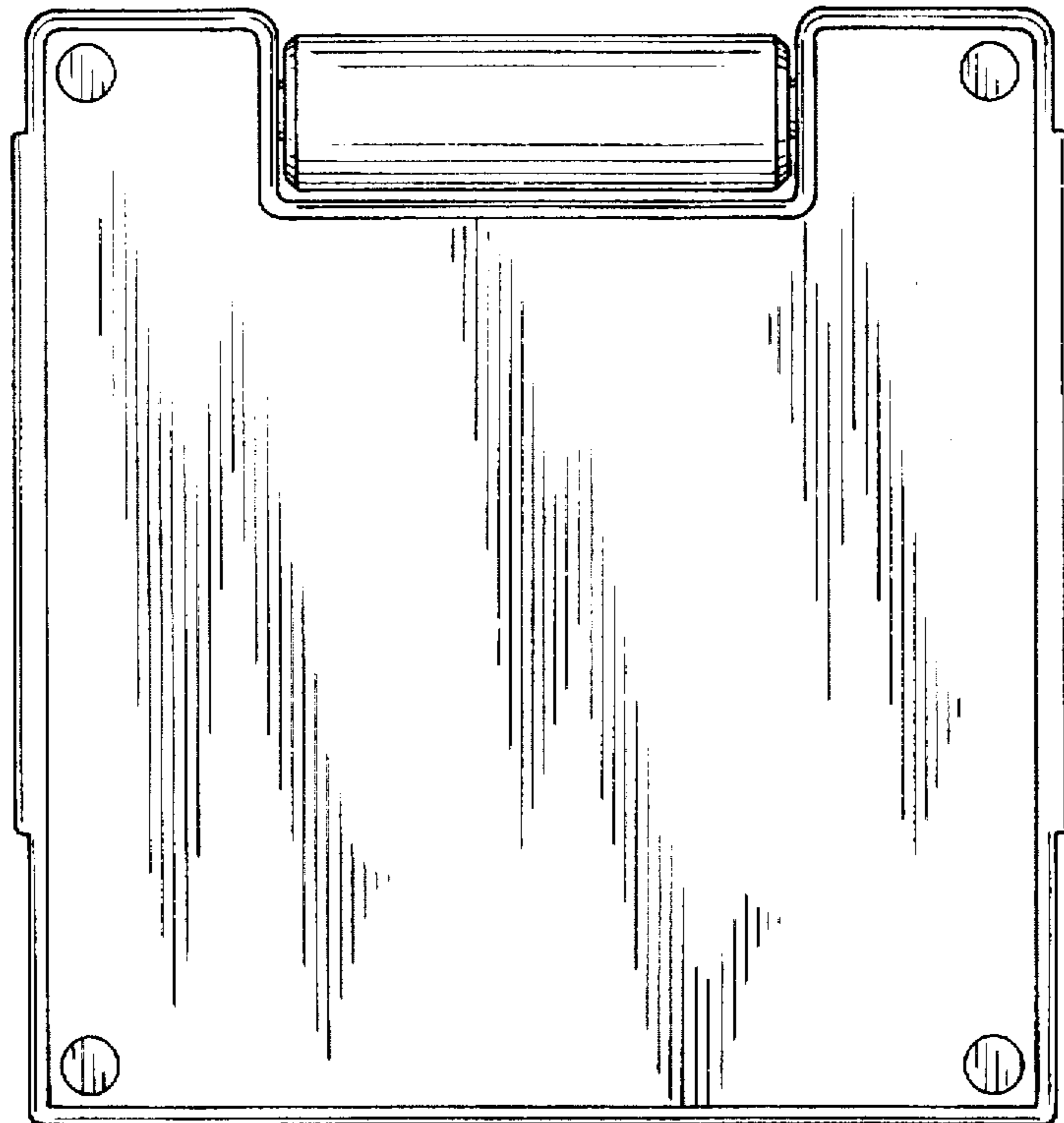


FIG. 5

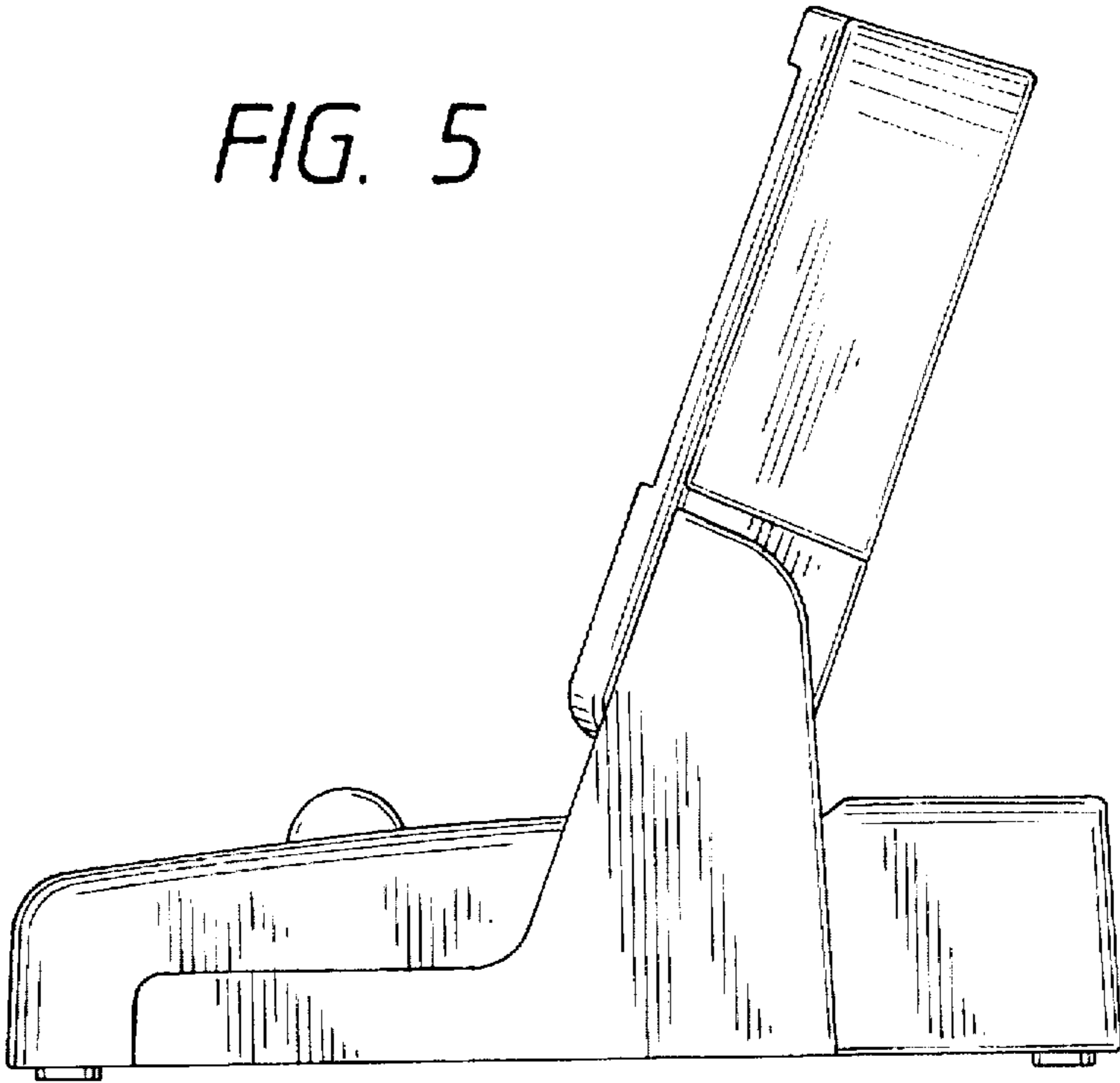


FIG. 6

