



US00D394903S

United States Patent [19]

Barkley et al.

[11] Patent Number: **Des. 394,903**

[45] Date of Patent: ****Jun. 2, 1998**

[54] **EXTERNAL DEFIBRILLATOR**

Attorney, Agent, or Firm—Patterson & Keough, P.A.

[75] Inventors: **Steven D. Barkley**, Champlin; **Robert K. Johnson**, Blaine; **Kenneth F. Olson**, Edina; **Michael G. Krol**, Wayzata, all of Minn.

[57] **CLAIM**

The ornamental design for an external defibrillator, as shown and described.

[73] Assignee: **SurVivaLink Corporation**, Minneapolis, Minn.

DESCRIPTION

[**] Term: **14 Years**

FIG. 1 is front perspective view of an external defibrillator according to the present invention;

[21] Appl. No.: **58,843**

FIG. 2 is a rear perspective view of the external defibrillator according to the present invention;

[22] Filed: **Aug. 26, 1996**

FIG. 3 is a top plan view of the external defibrillator;

[51] LOC (6) Cl. **24-01**

[52] U.S. Cl. **D24/167**

[58] Field of Search D24/167, 168, D24/165; 607/4, 5, 6, 7, 8

FIG. 4 is a front elevational view of the external defibrillator;

[56] **References Cited**

FIG. 5 is a left side elevational view of the external defibrillator;

U.S. PATENT DOCUMENTS

D. 287,758	1/1987	Chennault et al.	D24/167
D. 311,580	10/1990	Butler et al.	D24/167
D. 326,522	5/1992	Amoy et al.	D24/167
D. 373,193	8/1996	Luther	D24/167
4,619,265	10/1986	Morgan et al. .	

FIG. 6 is a right side elevational view of the external defibrillator;

OTHER PUBLICATIONS

Laerdal Medical Corporation, advertisement for Laerdal's Heartstart, 3 pages, 1991.

FIG. 7 is a rear elevational view of the external defibrillator; and,

FIG. 8 is a bottom plan view of the external defibrillator according to the present invention.

Primary Examiner—Stella Reid

1 Claim, 6 Drawing Sheets

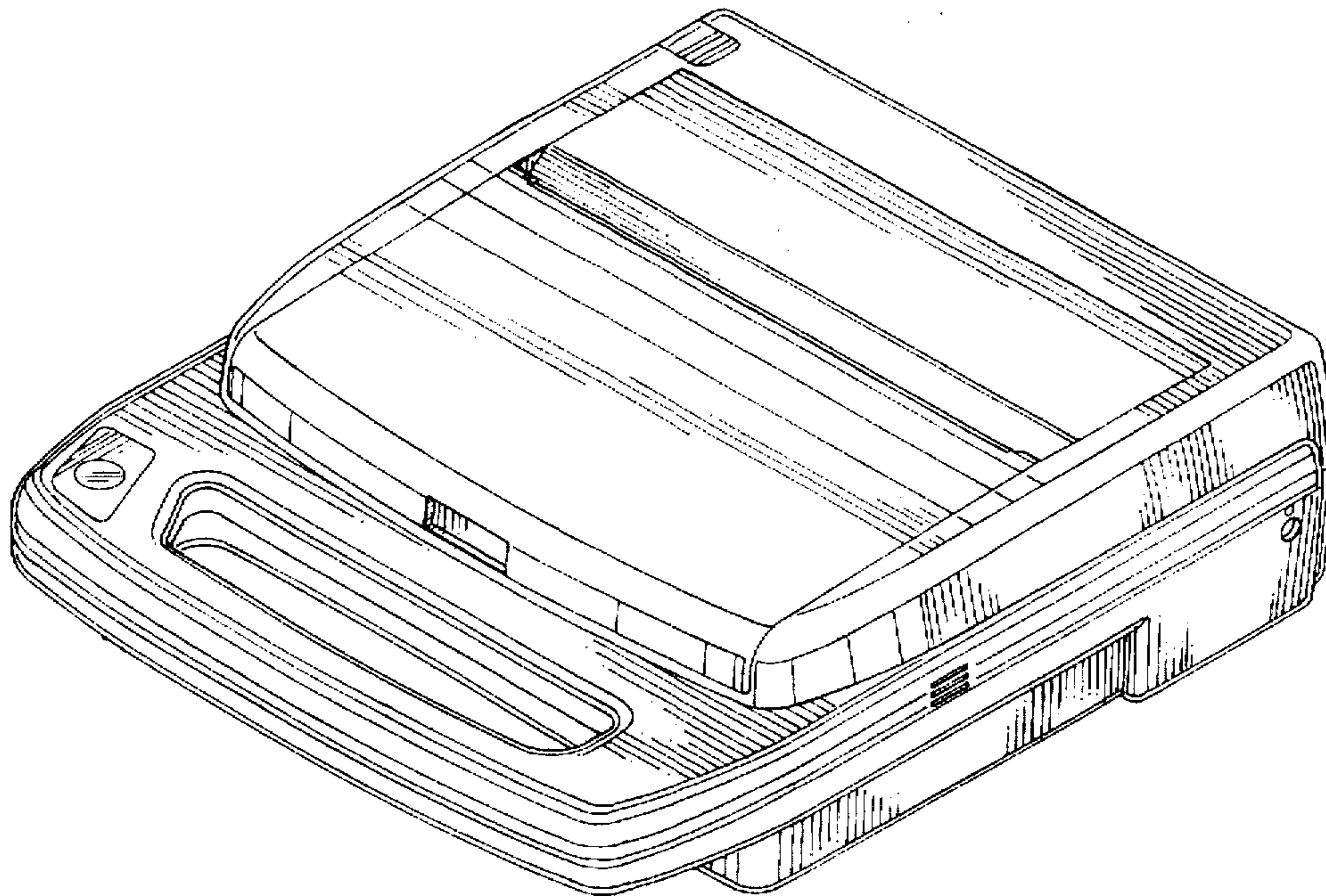


Fig. 1

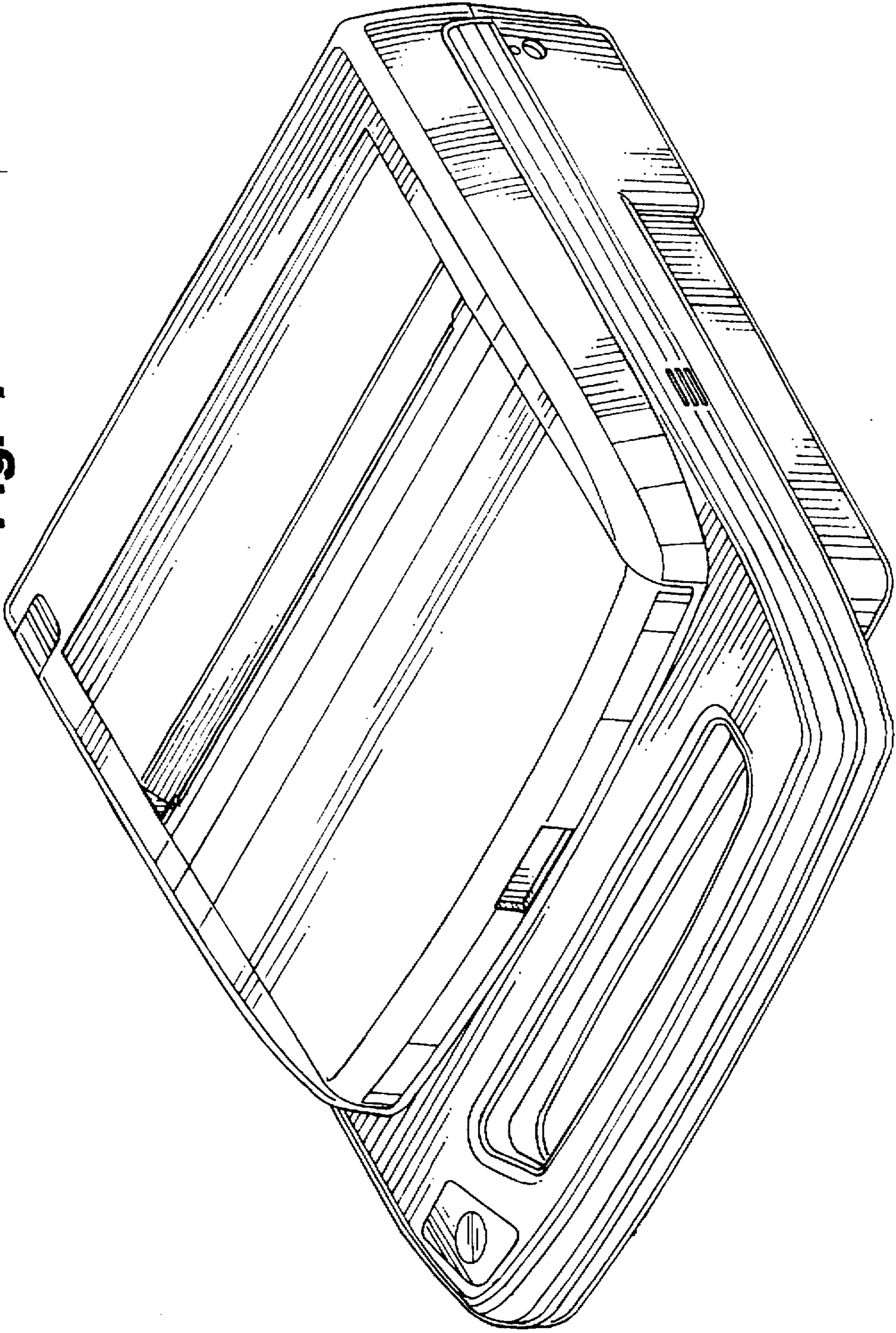


Fig. 2

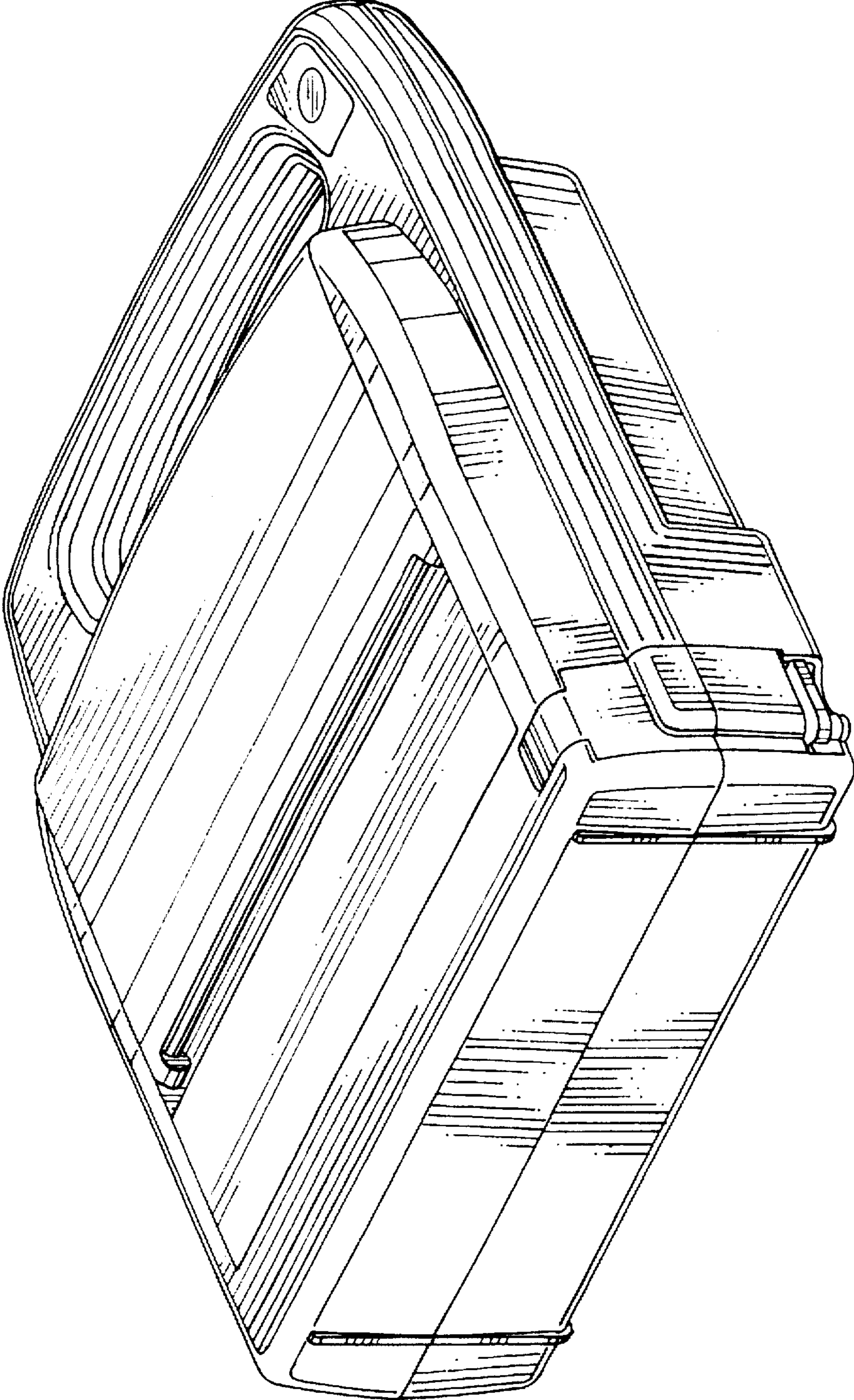


Fig. 3

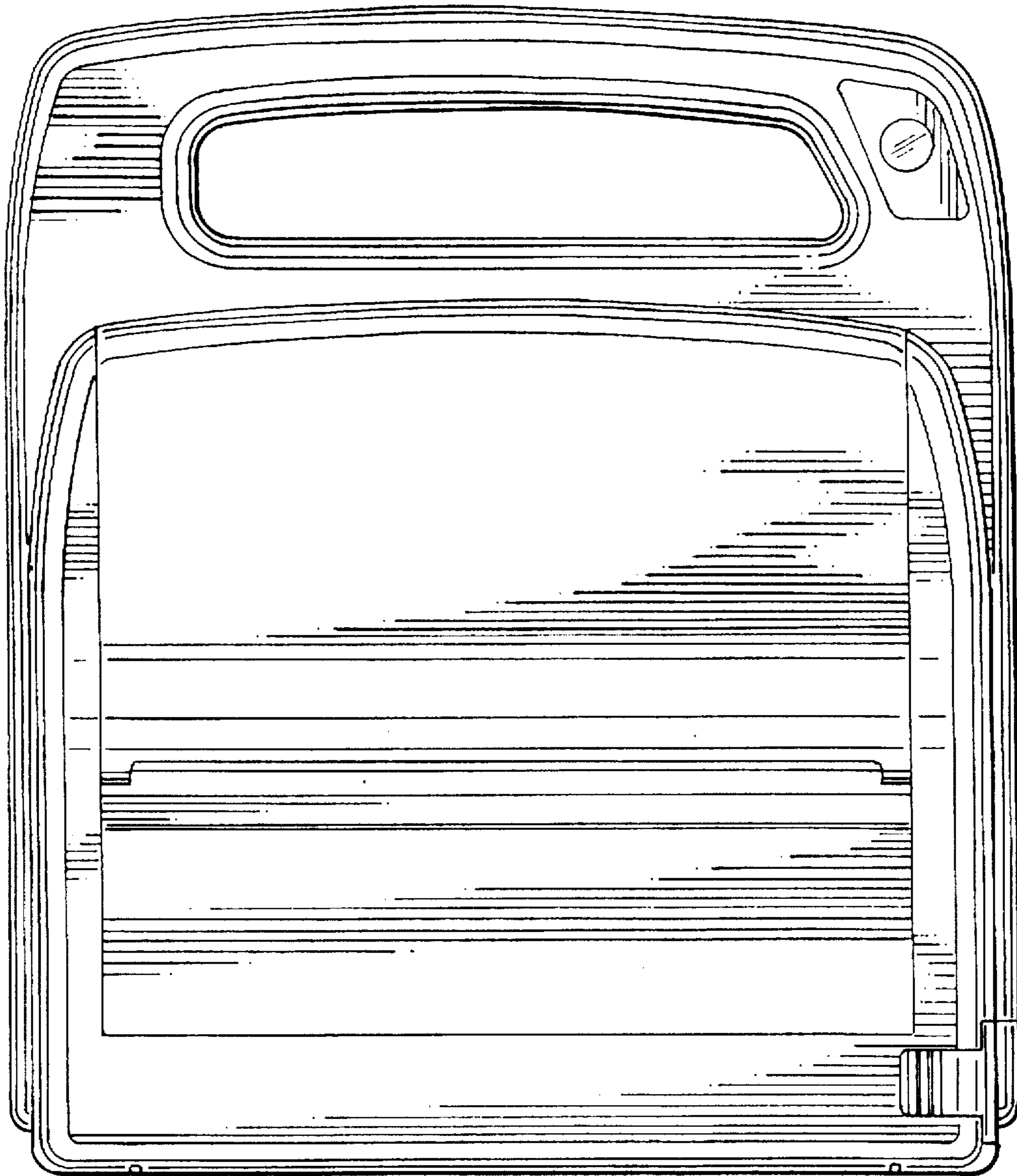


Fig. 4

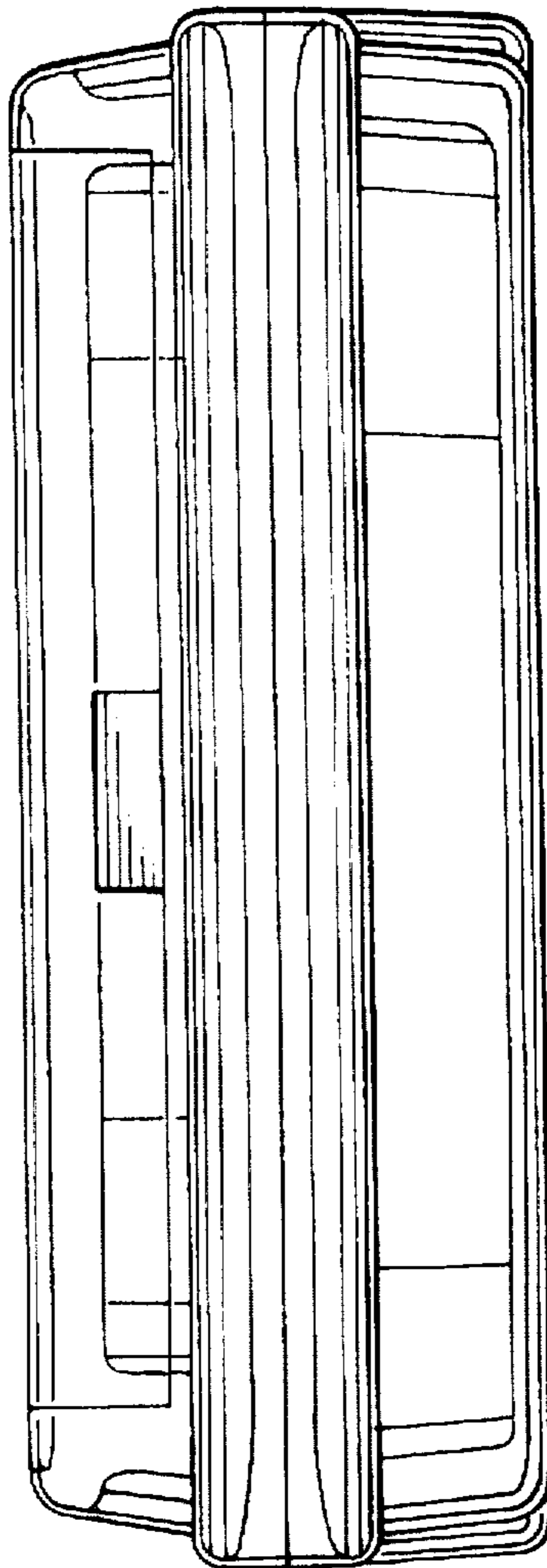


Fig. 5

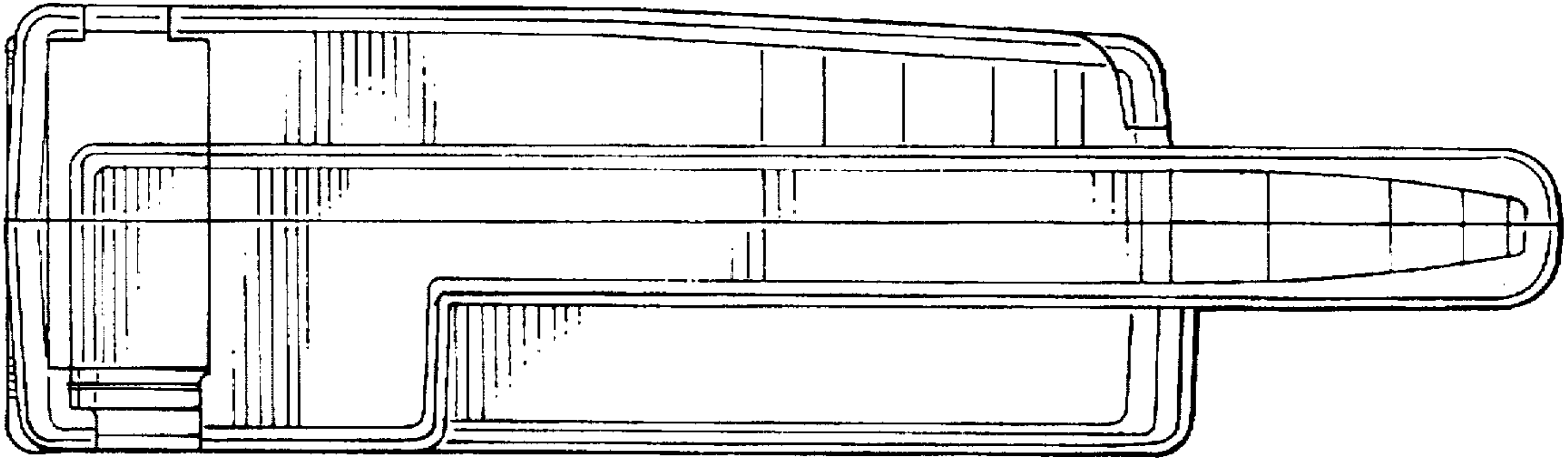


Fig. 6

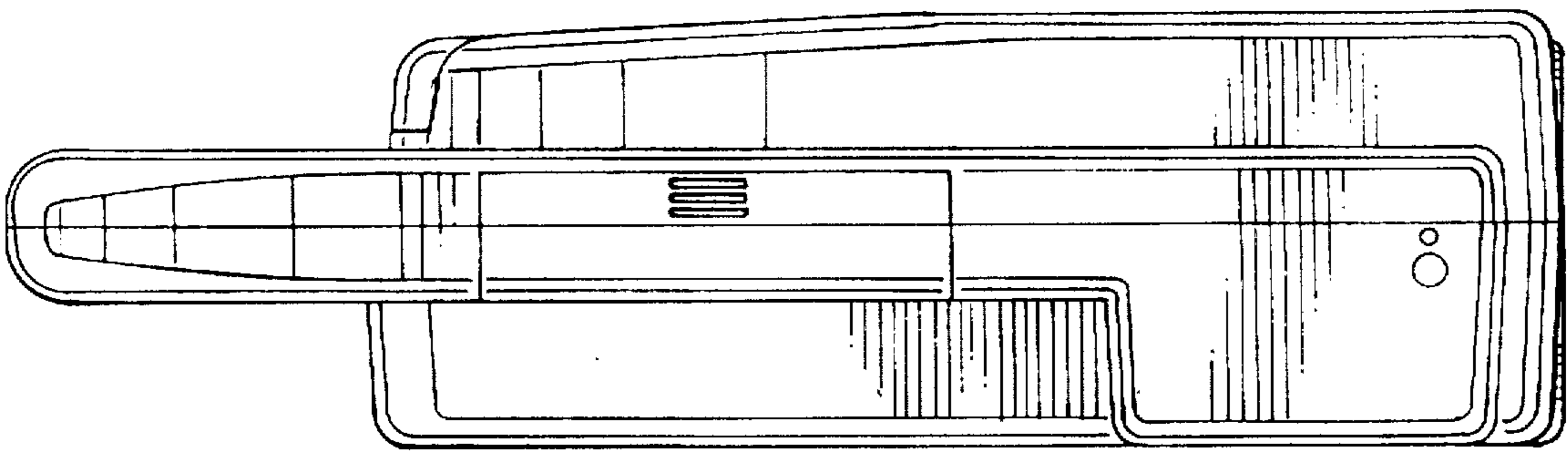


Fig. 7

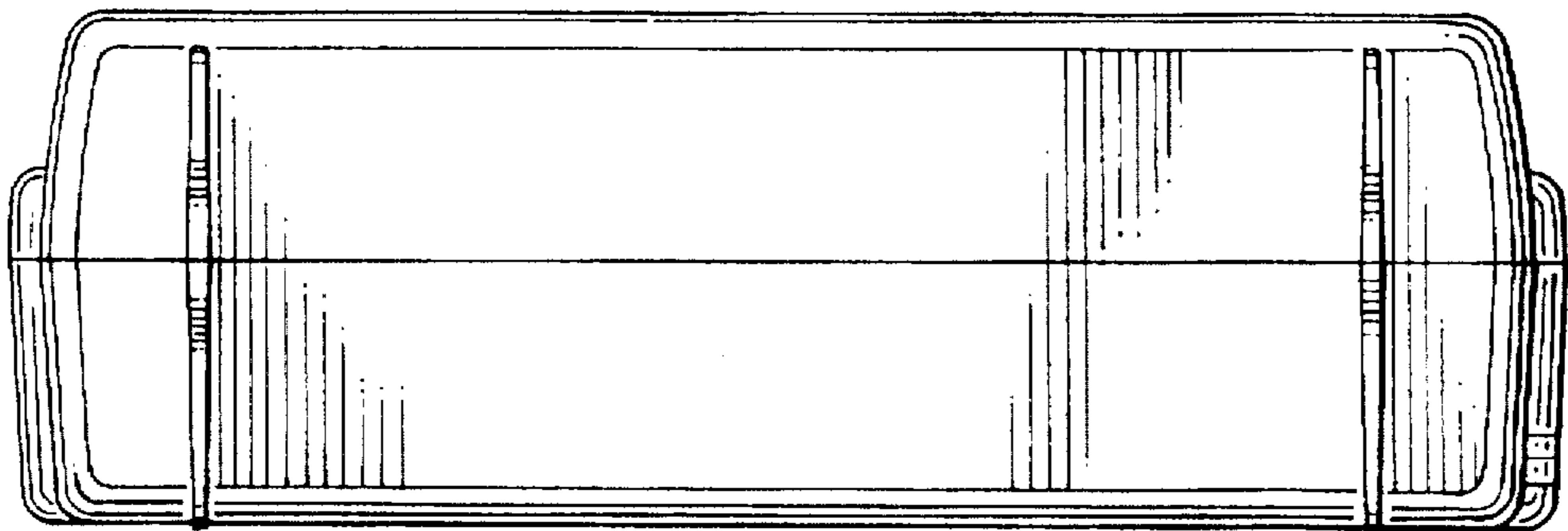


Fig. 8

