



US00D394902S

United States Patent [19]

Herbst et al.

[11] Patent Number: **Des. 394,902**

[45] Date of Patent: ****Jun. 2, 1998**

[54] **DENTAL HANDLE**

[75] Inventors: **Walter B. Herbst**, Lake Forest; **David A. Demar**, Aurora; **William E. Hess**, Chicago, all of Ill.

[73] Assignee: **Hu-Friedy Mfg. Co., Inc.**, Chicago, Ill.

[**] Term: **14 Years**

[21] Appl. No.: **67,067**

[22] Filed: **Feb. 24, 1997**

Related U.S. Application Data

[63] Continuation of Ser. No. 57,771, Jul. 31, 1996, abandoned.

[51] **LOC (6) Cl.** **24-02**

[52] **U.S. Cl.** **D24/154; D24/152**

[58] **Field of Search** **D24/152, 153, D24/154, 133, 176-180; 433/3, 4, 82, 29, 141, 126, 118, 153, 154, 143, 144; D19/41, 45, 47, 49, 51, 54**

[56] **References Cited**

U.S. PATENT DOCUMENTS

D. 259,660	6/1981	Sosnay	D24/154
4,836,781	6/1989	Meinershagen	433/141
5,127,833	7/1992	Kline	433/141
5,501,597	3/1996	Wilson	433/141

OTHER PUBLICATIONS

Hu-Friedy Colours Dental Instrument Catalog in Dutch, published before filing date of patent application (Jul. 31, 1996).

American Eagle Dental Instrument Catalog, published before filing date of patent application (Jul. 31, 1996).

Primary Examiner—Kay H. Chin
Attorney, Agent, or Firm—Dressler, Rockey, Milnamow & Katz, Ltd.

[57] **CLAIM**

The ornamental design for a dental handle, as shown and described.

DESCRIPTION

FIG. 1 is a perspective view of a dental handle showing our new design, the broken lines are for illustrative purposes only and form no part of the claimed design;

FIG. 2 is a side elevational view of FIG. 1, the other side being identical;

FIG. 3 is a top plan view thereof, the bottom being identical;

FIG. 4 is an end view thereof, the other end being identical;

FIG. 5 is a perspective view of a second embodiment of the dental handle;

FIG. 6 is a perspective view of a third embodiment of the dental handle;

FIG. 7 is a partial perspective view of a fourth embodiment of the dental handle showing a different style of knurling;

FIG. 8 is a partial perspective view of a fifth embodiment of the dental handle showing a different style of knurling; and,

FIG. 9 is a partial perspective view of a sixth embodiment of the dental handle.

1 Claim, 2 Drawing Sheets

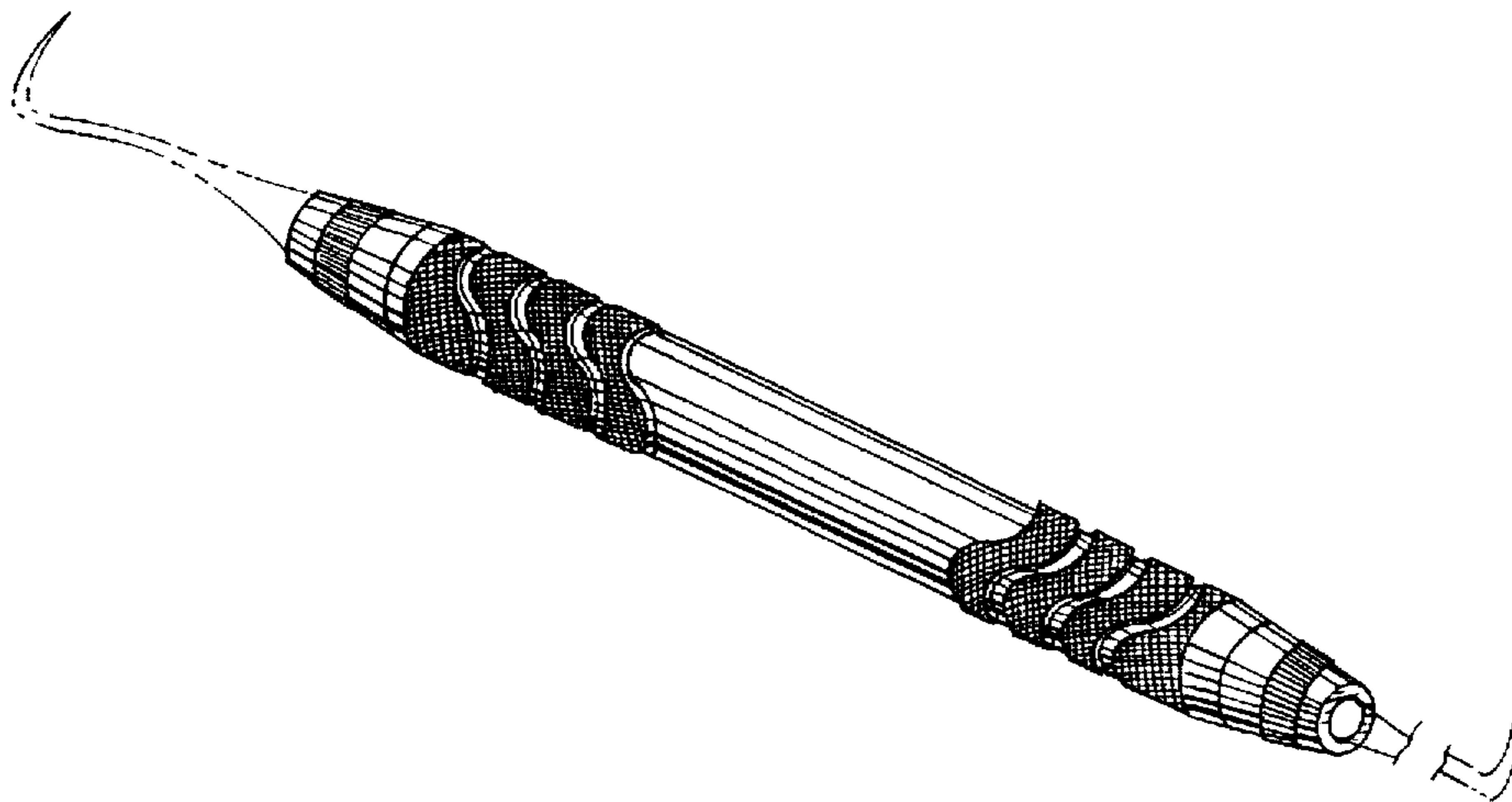


FIG. 1

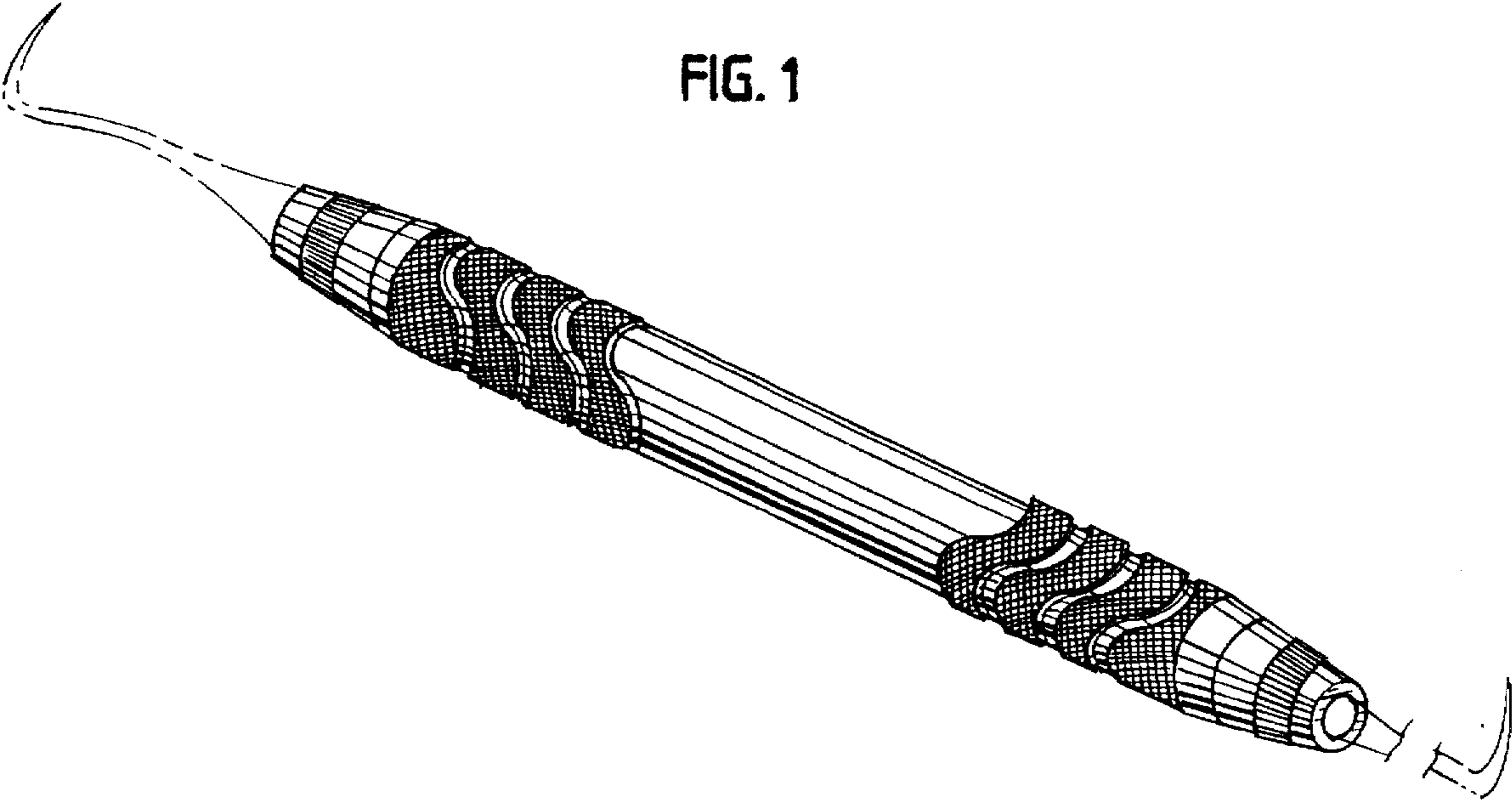


FIG. 2

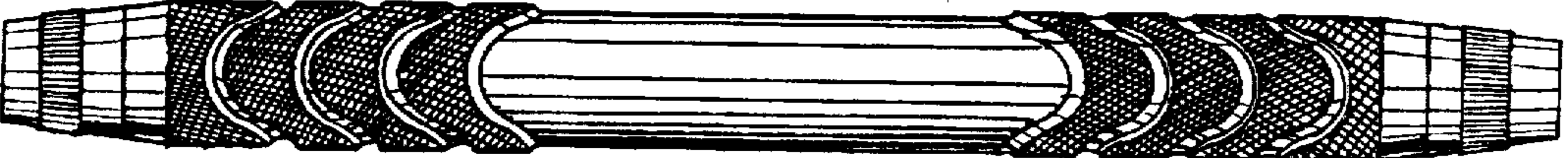
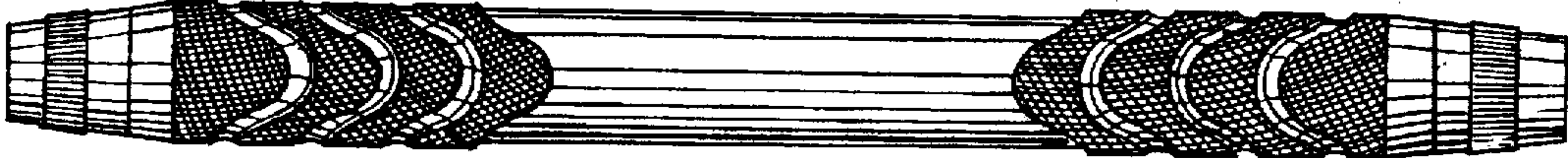


FIG. 3



FIG. 4

FIG. 5

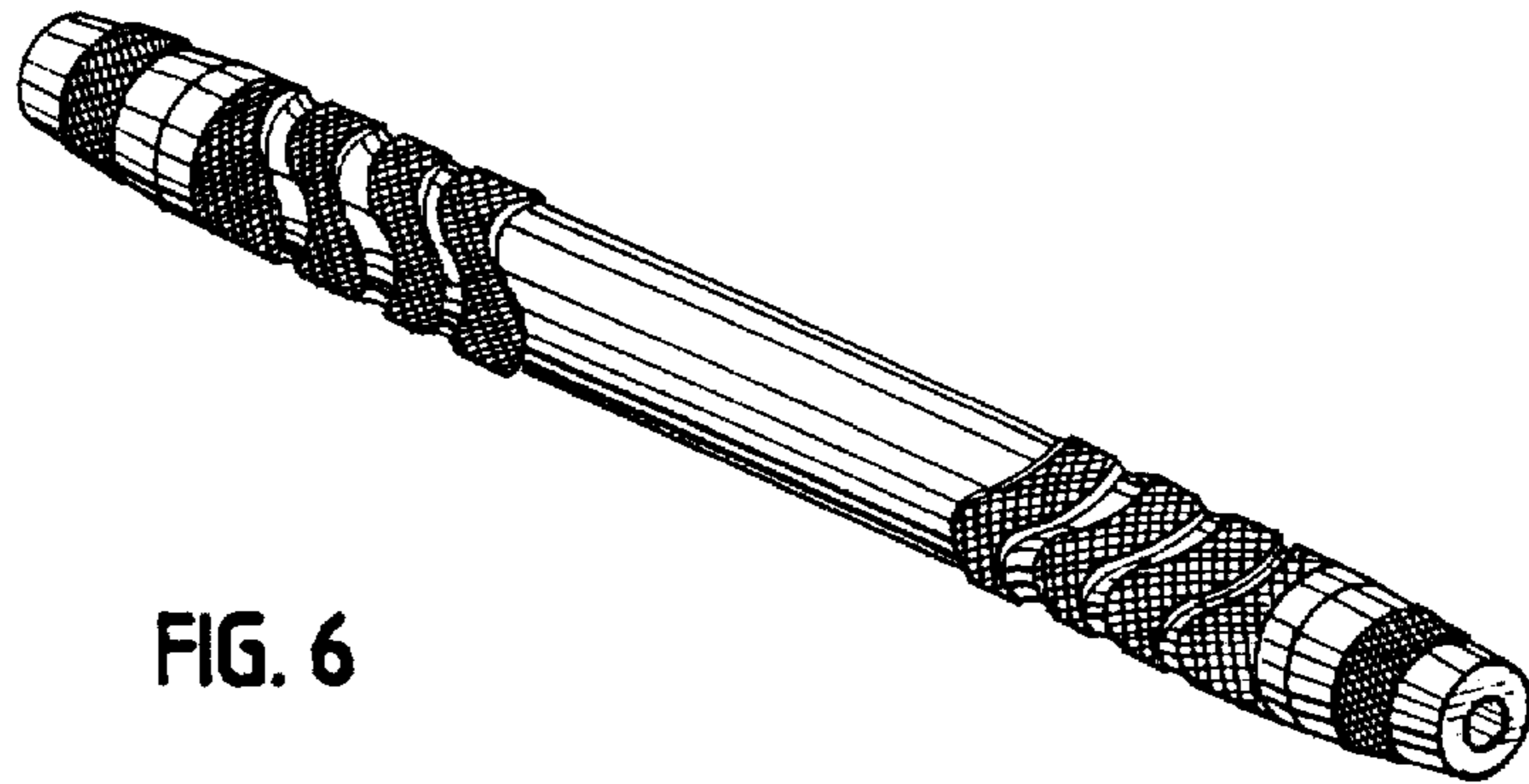


FIG. 6

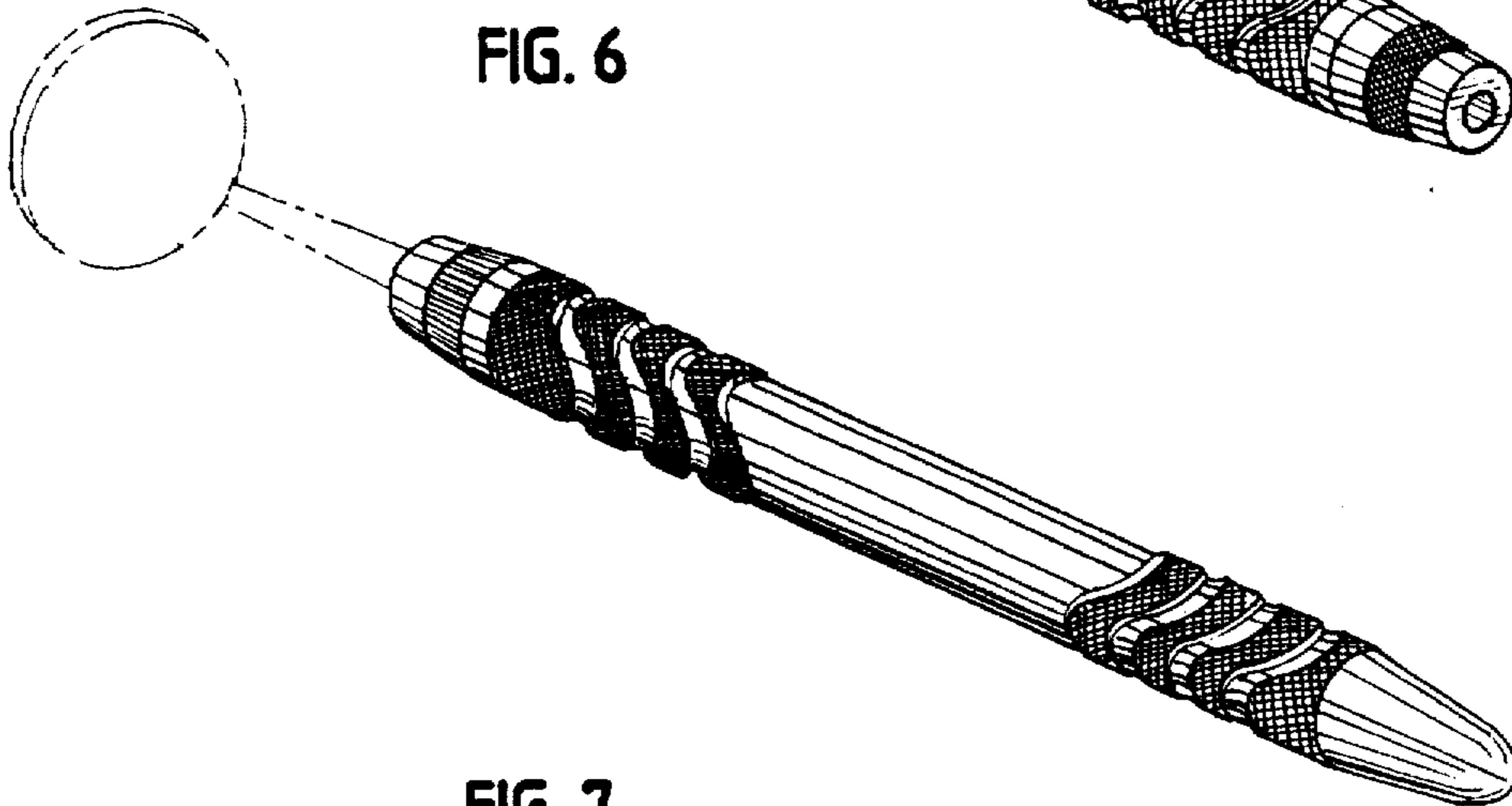


FIG. 7

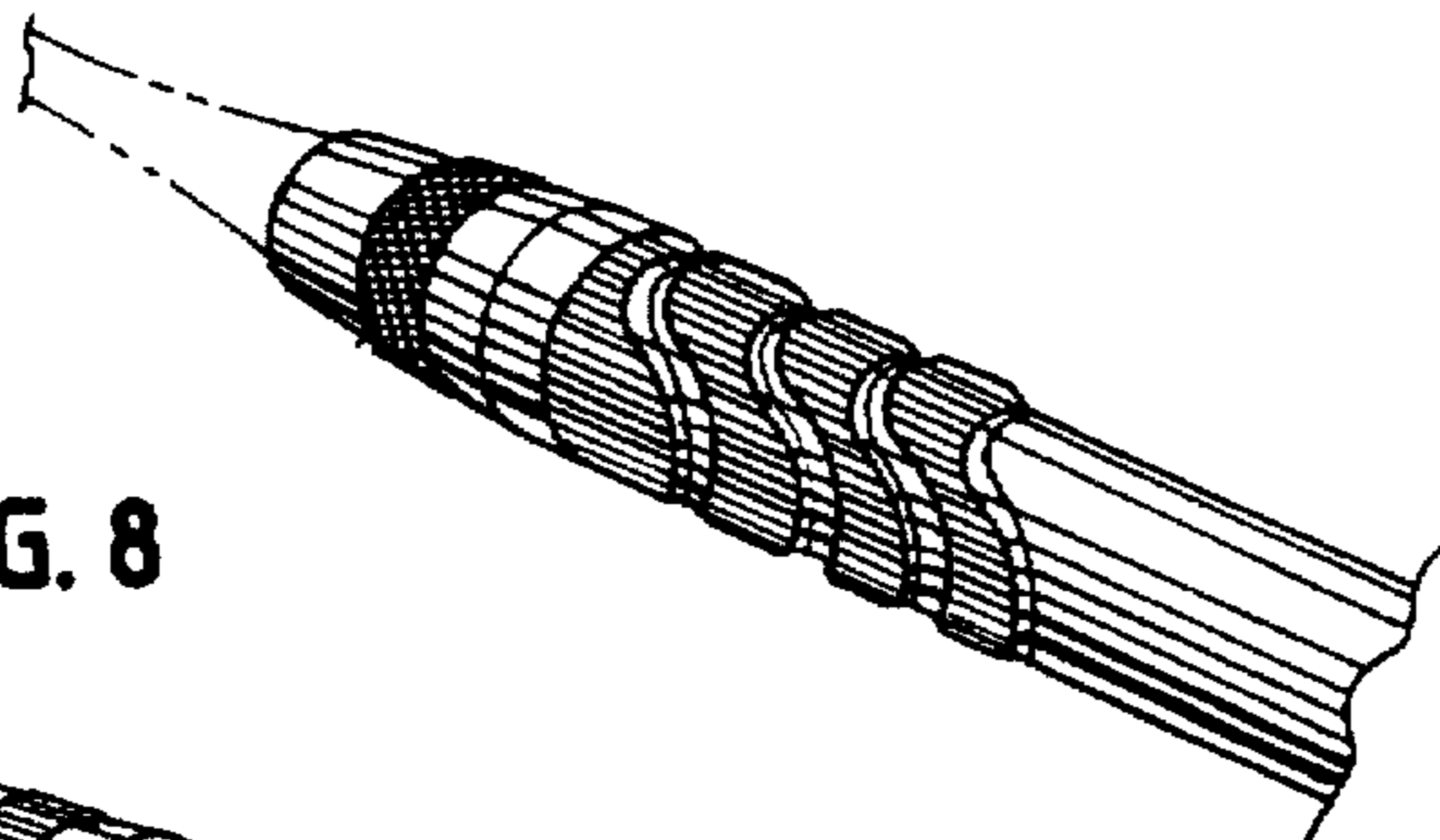


FIG. 8

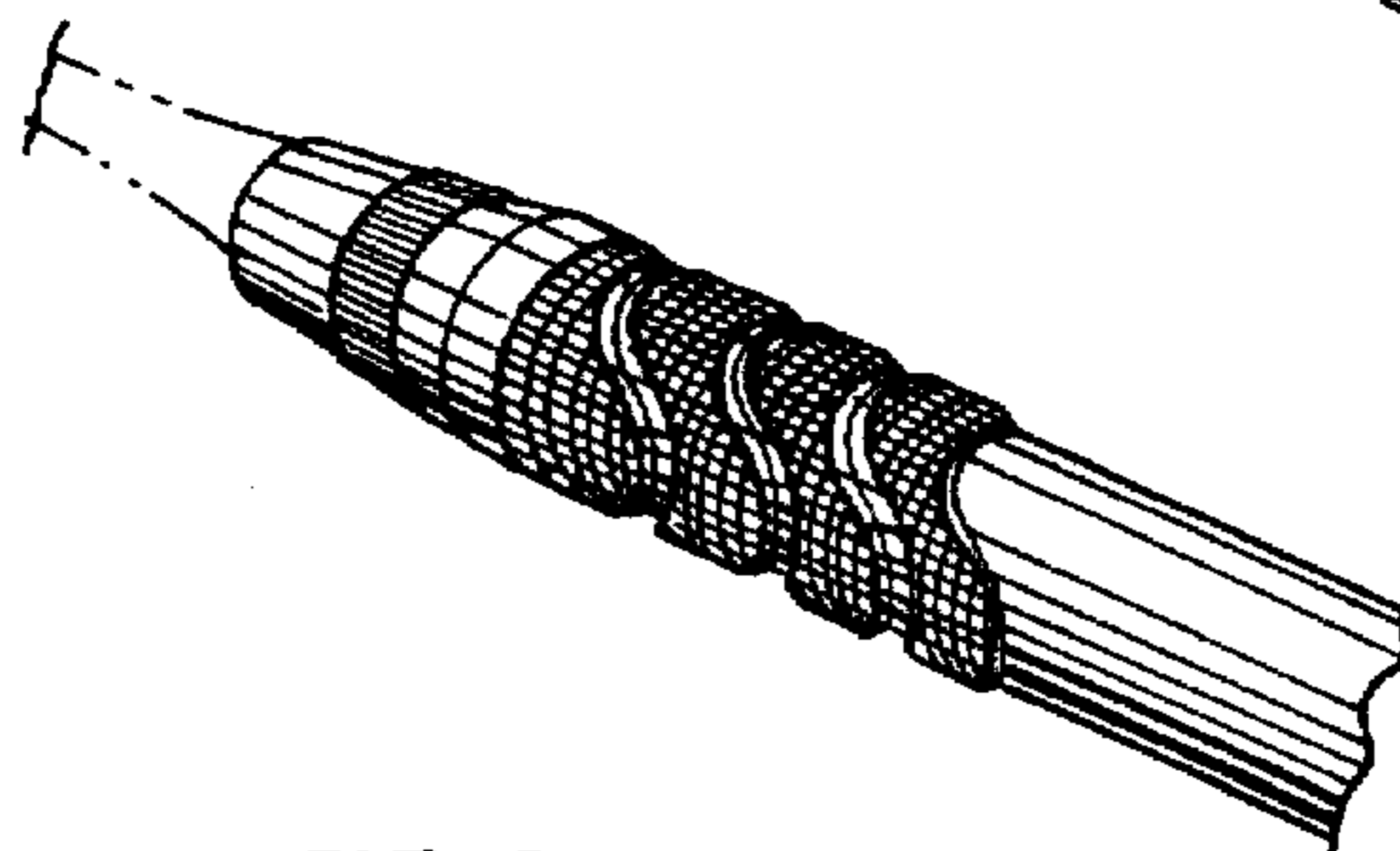


FIG. 9

