



US00D394901S

United States Patent [19]

Governale et al.

[11] Patent Number: **Des. 394,901**

[45] Date of Patent: ****Jun. 2, 1998**

[54] **AIR CONDITIONER COVER**

[76] Inventors: **Vincent Governale**, 30 Mary La., Bethpage, N.Y. 11714; **Peter Wick**, 41 Shannon Rd., Bridgewater, N.J. 08807

[**] Term: **14 Years**

[21] Appl. No.: **59,916**

[22] Filed: **Sep. 17, 1996**

[51] LOC (6) Cl. **23-04**

[52] U.S. Cl. **D23/354; D23/351**

[58] Field of Search **D23/351-354; 454/275, 347, 201**

[56] **References Cited**

U.S. PATENT DOCUMENTS

| | | | |
|-----------|---------|---------------------|---------|
| 2,022,133 | 11/1935 | Morse et al. | D23/351 |
| 4,325,229 | 4/1982 | De Zurik | 454/201 |
| 4,389,827 | 6/1983 | Van Valkenburg | 454/201 |
| 4,483,102 | 11/1984 | Edwards | 454/201 |
| 4,788,805 | 12/1988 | Shaw | 454/201 |

Primary Examiner—Lisa Lichtenstein
Attorney, Agent, or Firm—Collard & Roe, P.C.

[57] **CLAIM**

The ornamental design for an air conditioner cover, as shown and described.

DESCRIPTION

FIG. 1 is a perspective view of the air conditioner cover showing my new design;
 FIG. 2 is an exploded perspective view thereof;
 FIG. 3 is a front elevational view of the air conditioner cover with the front panel in place;
 FIG. 4 is a rear elevational view thereof;
 FIG. 5 is a top plan view thereof;
 FIG. 6 is a bottom plan view thereof;
 FIG. 7 is a right side view thereof;
 FIG. 8 is a left side view thereof;
 FIG. 9 is a front elevational view of the rear portion of the air conditioner cover, shown separately with the front panel removed for clarity of illustration;
 FIG. 10 is a right side view of FIG. 9; and,
 FIG. 11 is a top plan view of FIG. 9.
 The broken-line showing of environmental structure in FIG. 9 is for illustrative purposes only and forms no part of the claimed design.

1 Claim, 4 Drawing Sheets

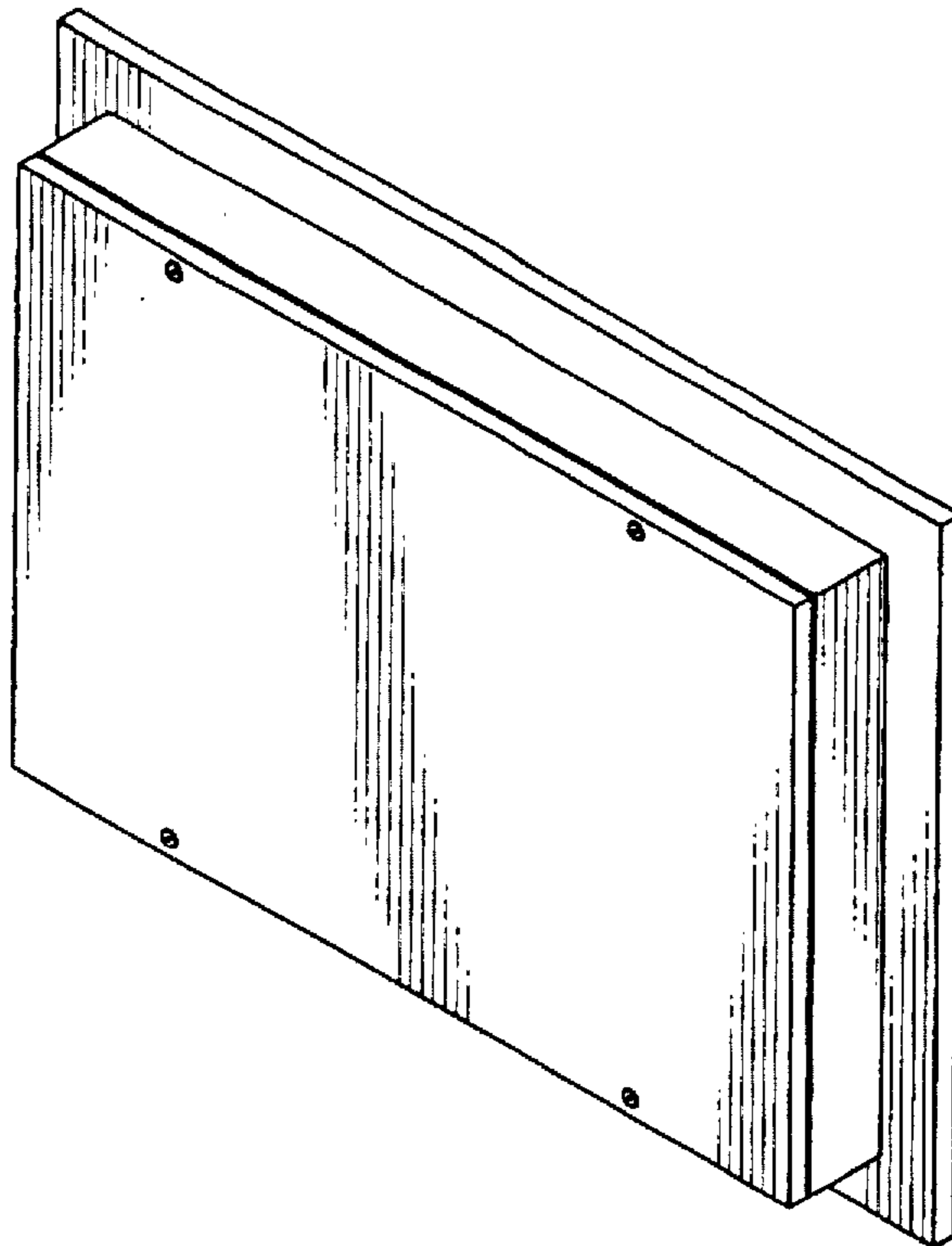


Fig. 1

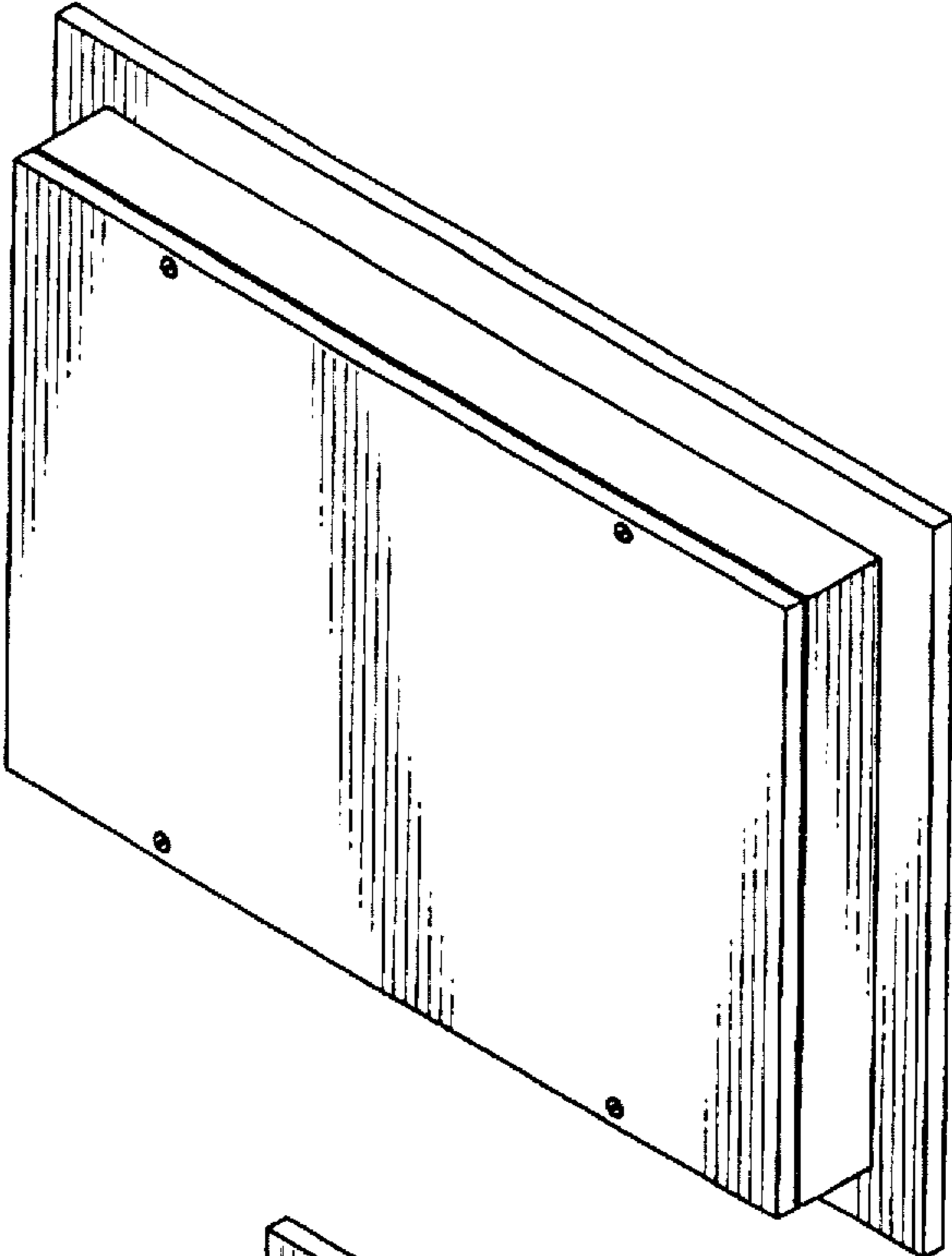
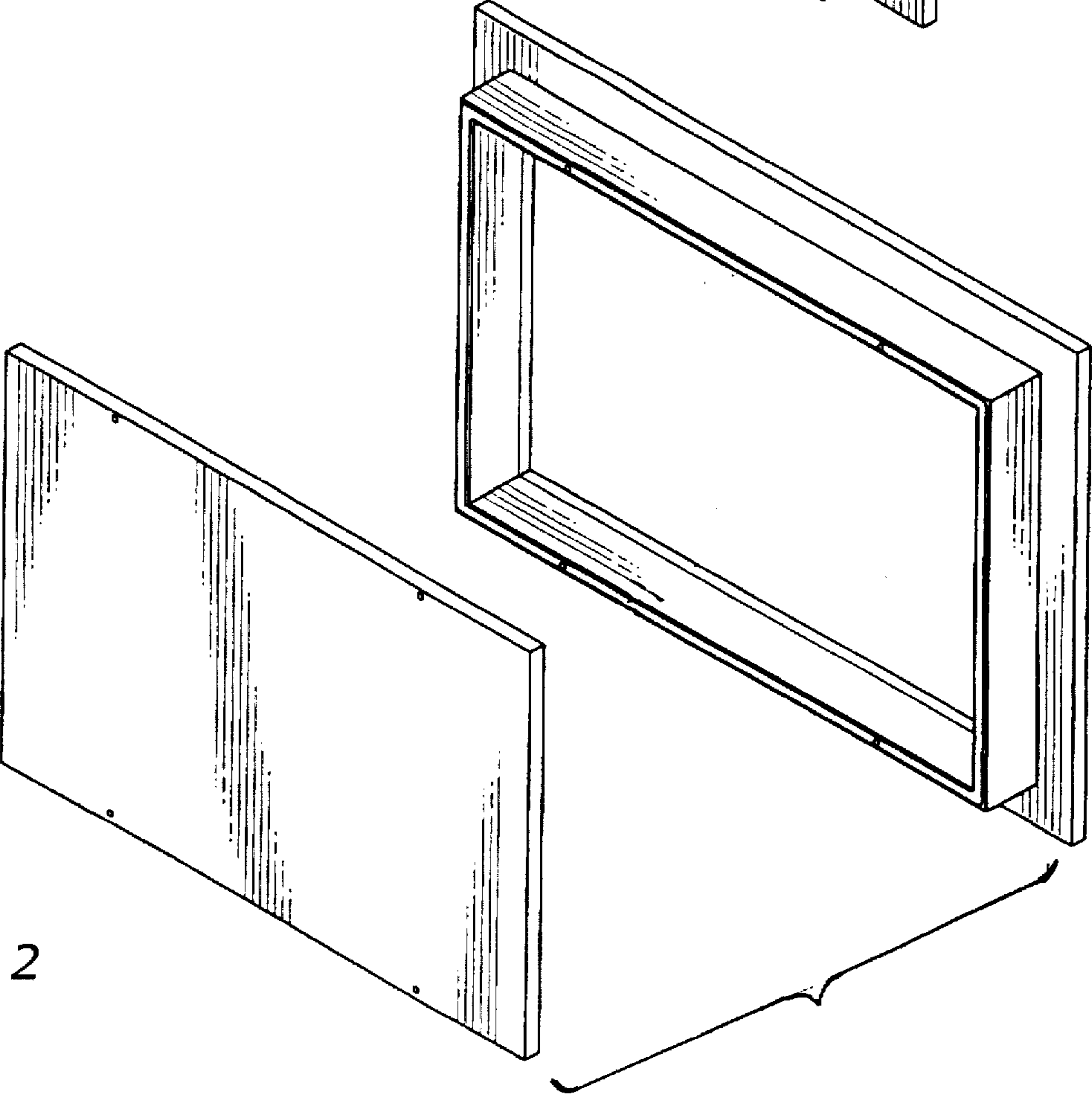


Fig. 2



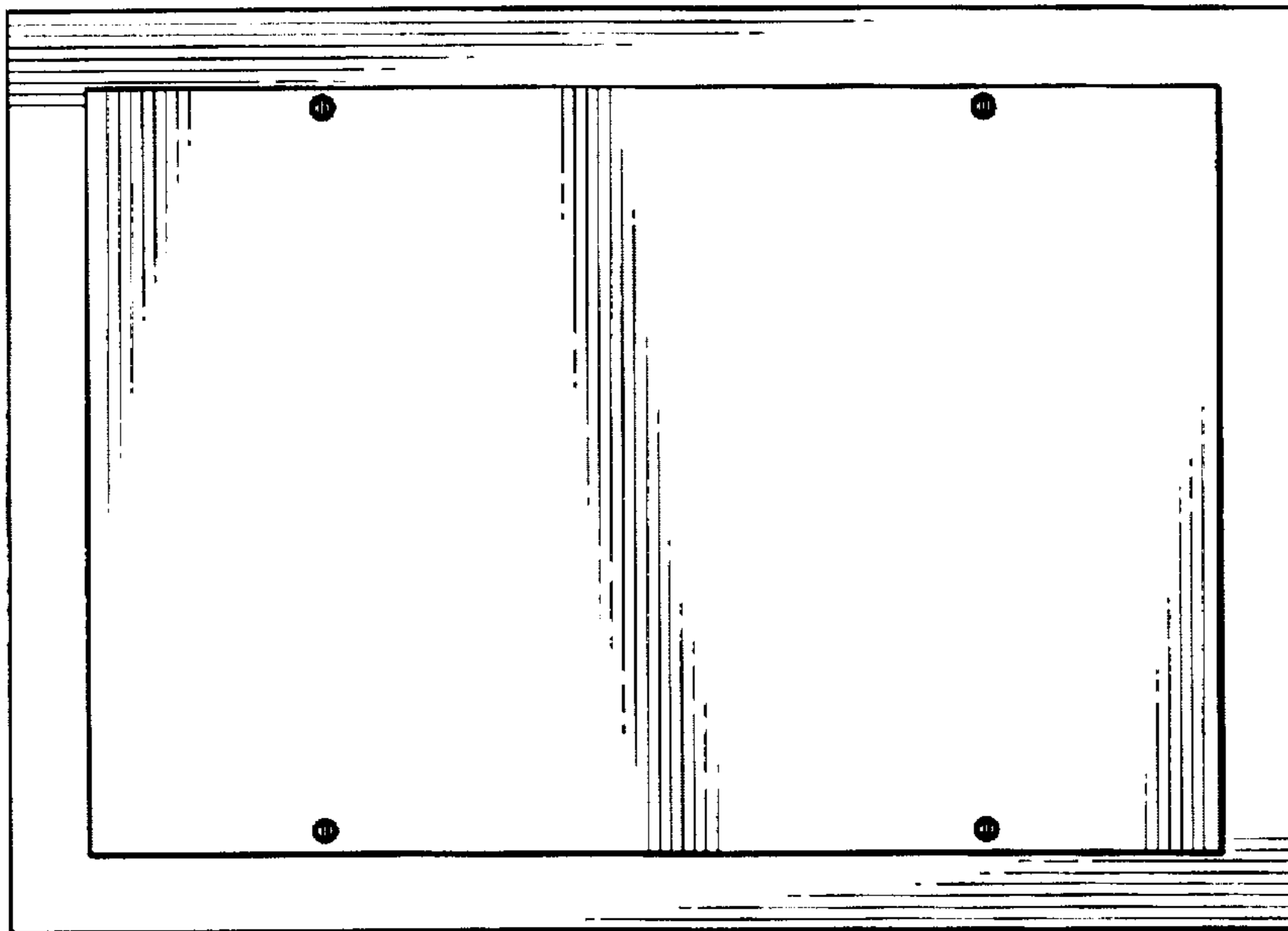


Fig. 3

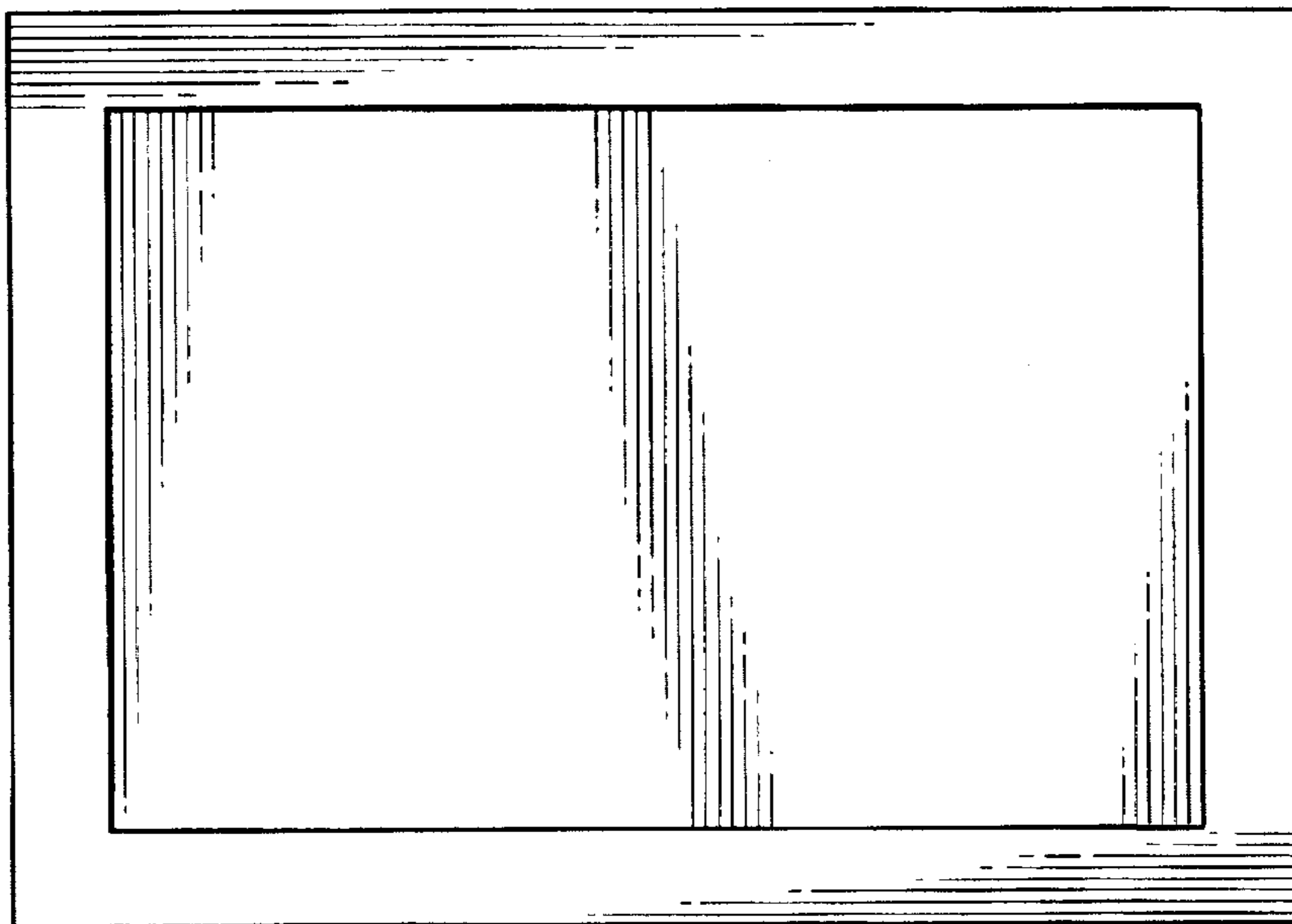


Fig. 4

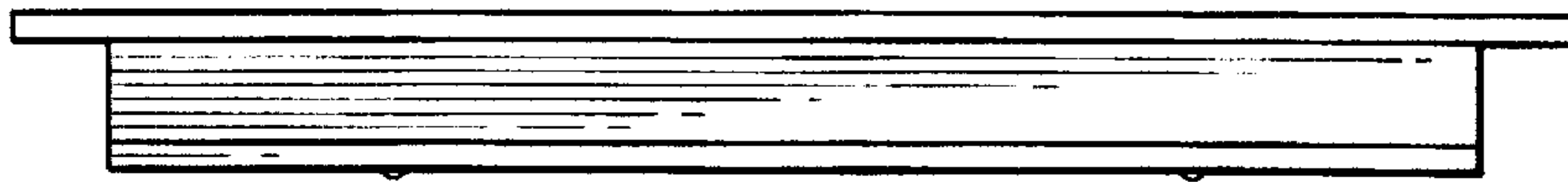


Fig. 5

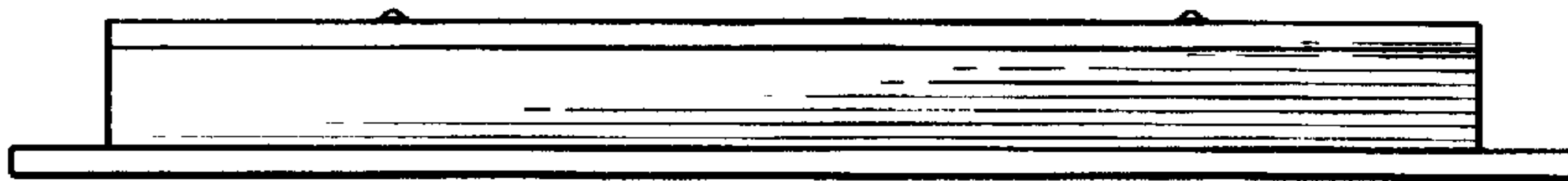


Fig. 6

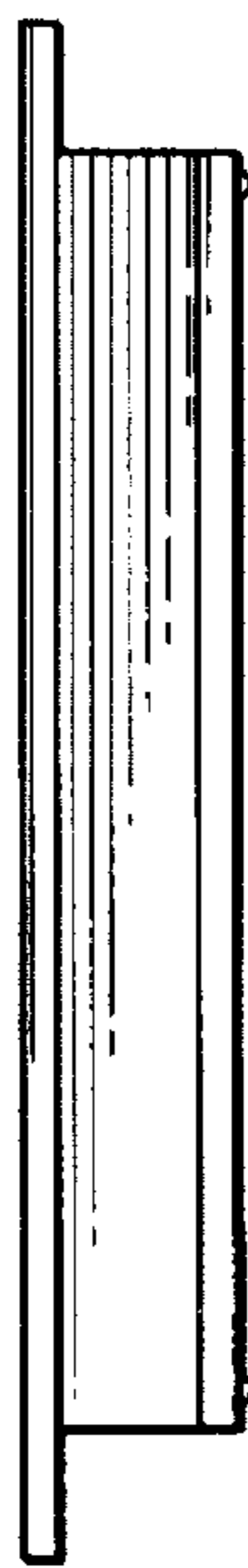


Fig. 7

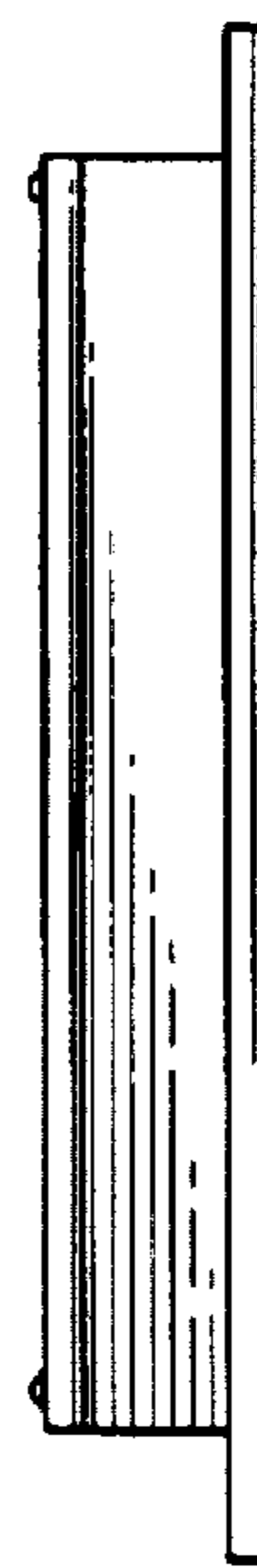


Fig. 8

Fig. 9

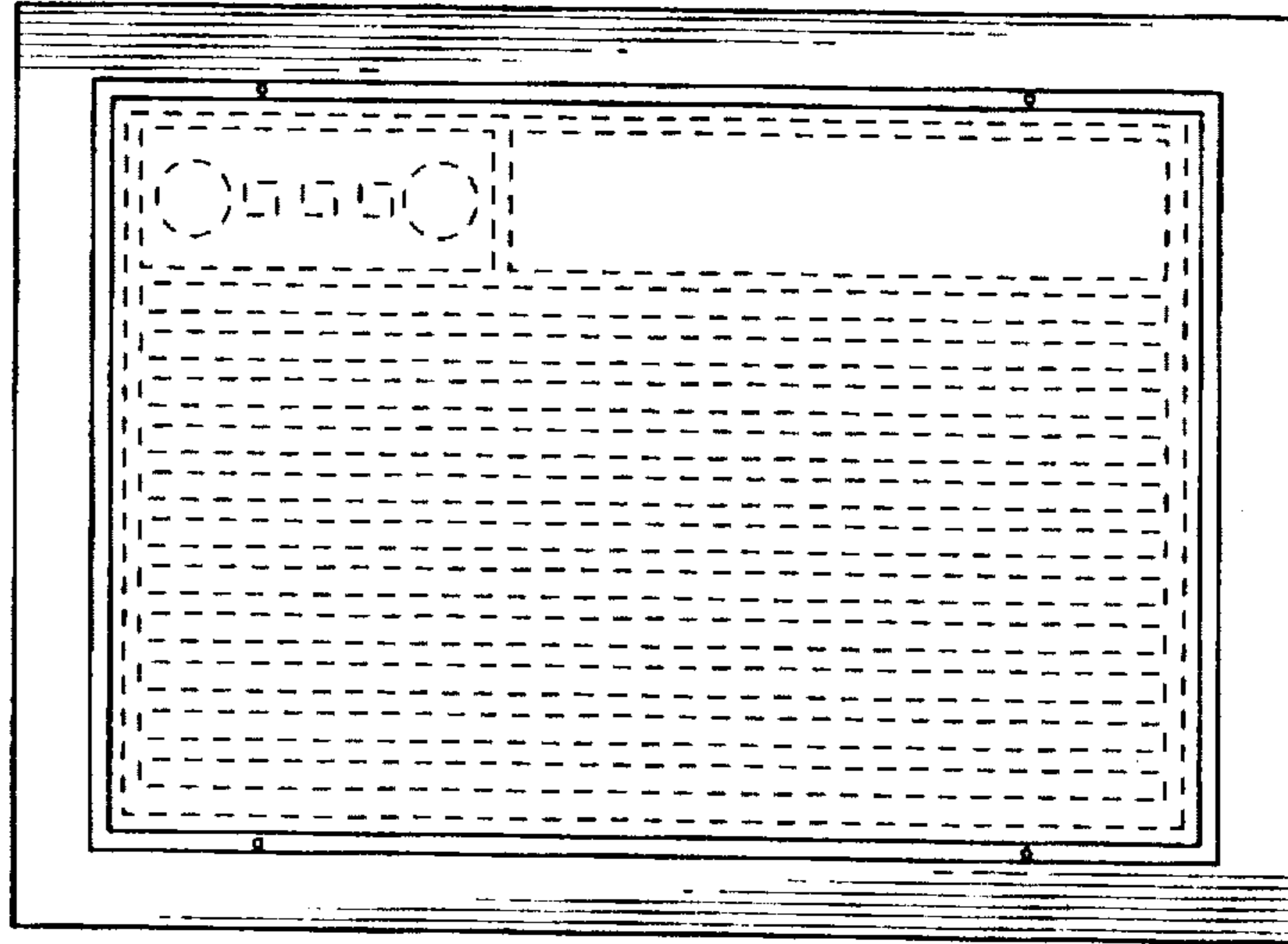


Fig. 10

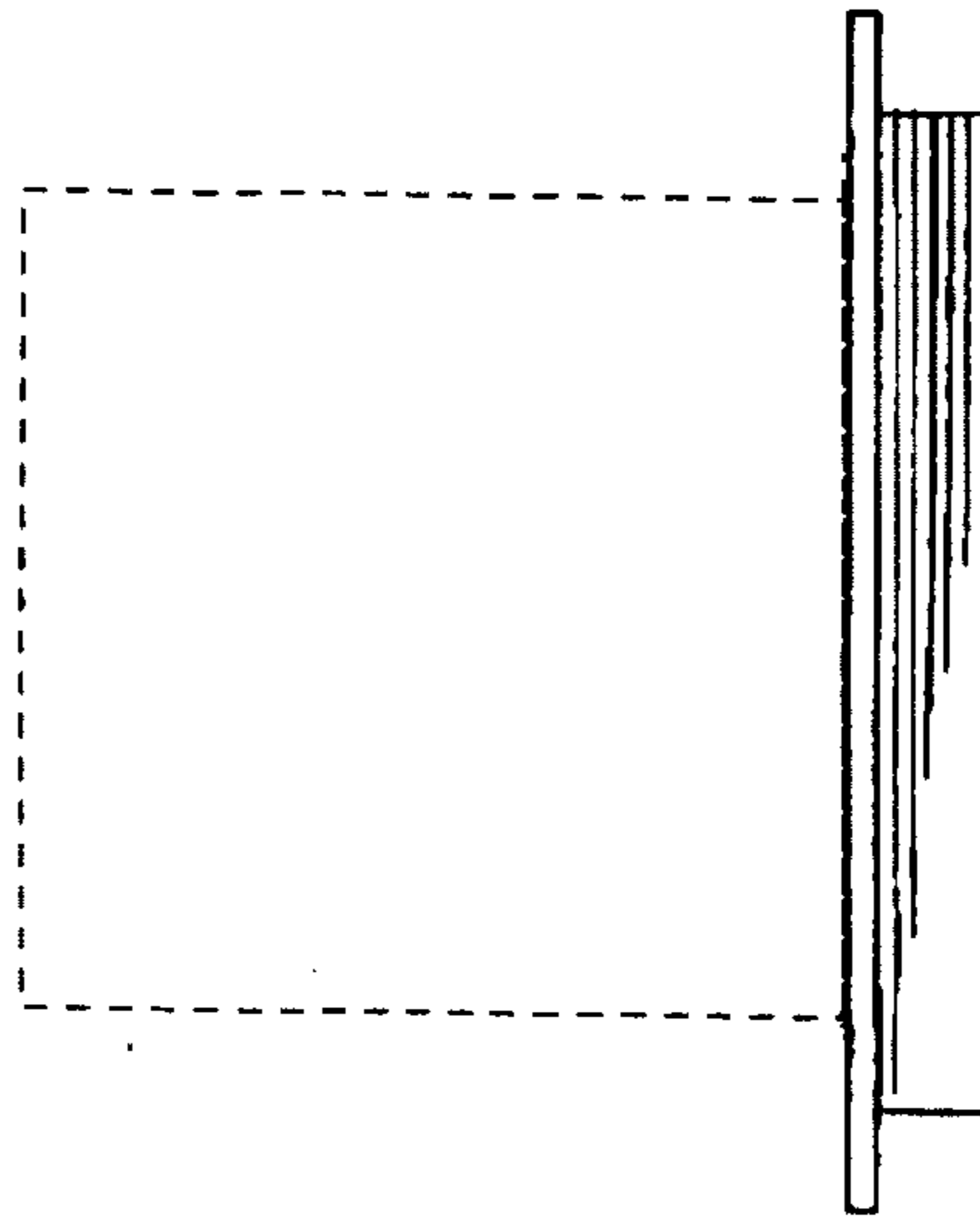


Fig. 11

