



US00D394898S

**United States Patent** [19]  
**Evans**

[11] **Patent Number: Des. 394,898**

[45] **Date of Patent: \*\*Jun. 2, 1998**

[54] **FLUID MANIFOLD**

[76] **Inventor: Donald L. Evans, 1405 Huntington Cir., Reno, Nev. 89509**

[\*\*] **Term: 14 Years**

[21] **Appl. No.: 68,451**

[22] **Filed: Apr. 9, 1997**

[51] **LOC(6) Cl. .... 23-01**

[52] **U.S. Cl. .... D23/214; D23/221**

[58] **Field of Search .... D23/214, 213, D23/221; 239/288.3, 566; 137/561 A, 262**

[56] **References Cited**

**U.S. PATENT DOCUMENTS**

D. 142,401	9/1945	Goggins	.....	D23/221
D. 204,536	4/1966	Maddox	.....	D23/221
3,531,053	9/1970	Miller et al.	.....	239/566
4,922,958	5/1990	Lemp	.....	137/561 A
5,444,879	8/1995	Holtsnider	.....	137/561 A
5,474,102	12/1995	Lopez	.....	137/561 A

*Primary Examiner*—Alan P. Douglas  
*Assistant Examiner*—Robin V. Taylor  
*Attorney, Agent, or Firm*—Ian F. Burns

[57] **CLAIM**

The ornamental design for a fluid manifold, as shown and described.

**DESCRIPTION**

FIG. 1 is a side perspective view of the fluid manifold of the present invention;

FIG. 2 is a right side elevational view of the fluid manifold of the present invention, the left side elevational view being a mirror image thereof;

FIG. 3 is a front elevational view of the fluid manifold of the present invention;

FIG. 4 is a rear elevational view of the fluid manifold of the present invention;

FIG. 5 is a top plan view of the fluid manifold of the present invention; and,

FIG. 6 is a bottom plan view of the fluid manifold of the present invention.

The claimed design is shown fragmented to indicate indeterminate length.

**1 Claim, 1 Drawing Sheet**

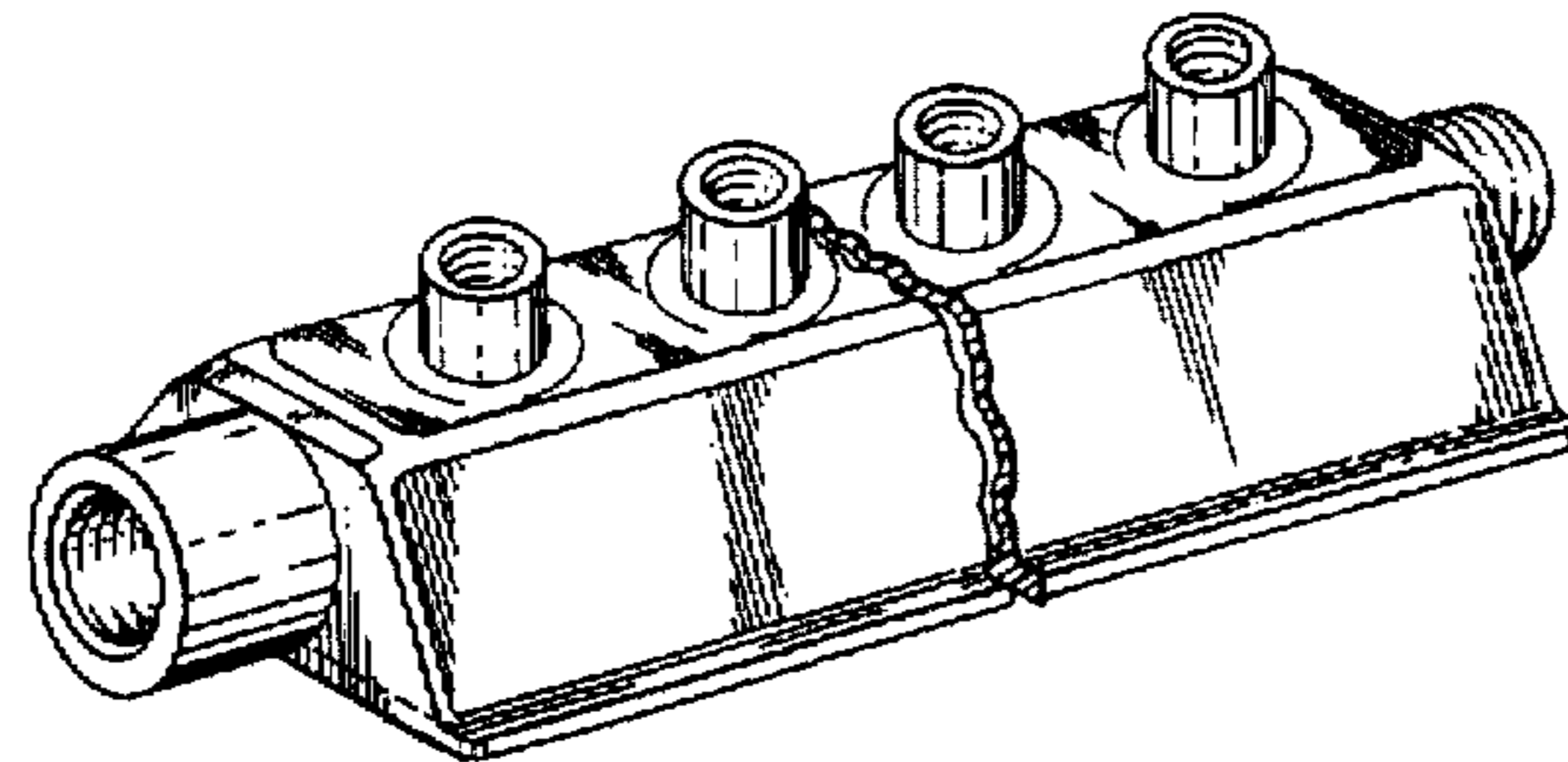


FIG. 1

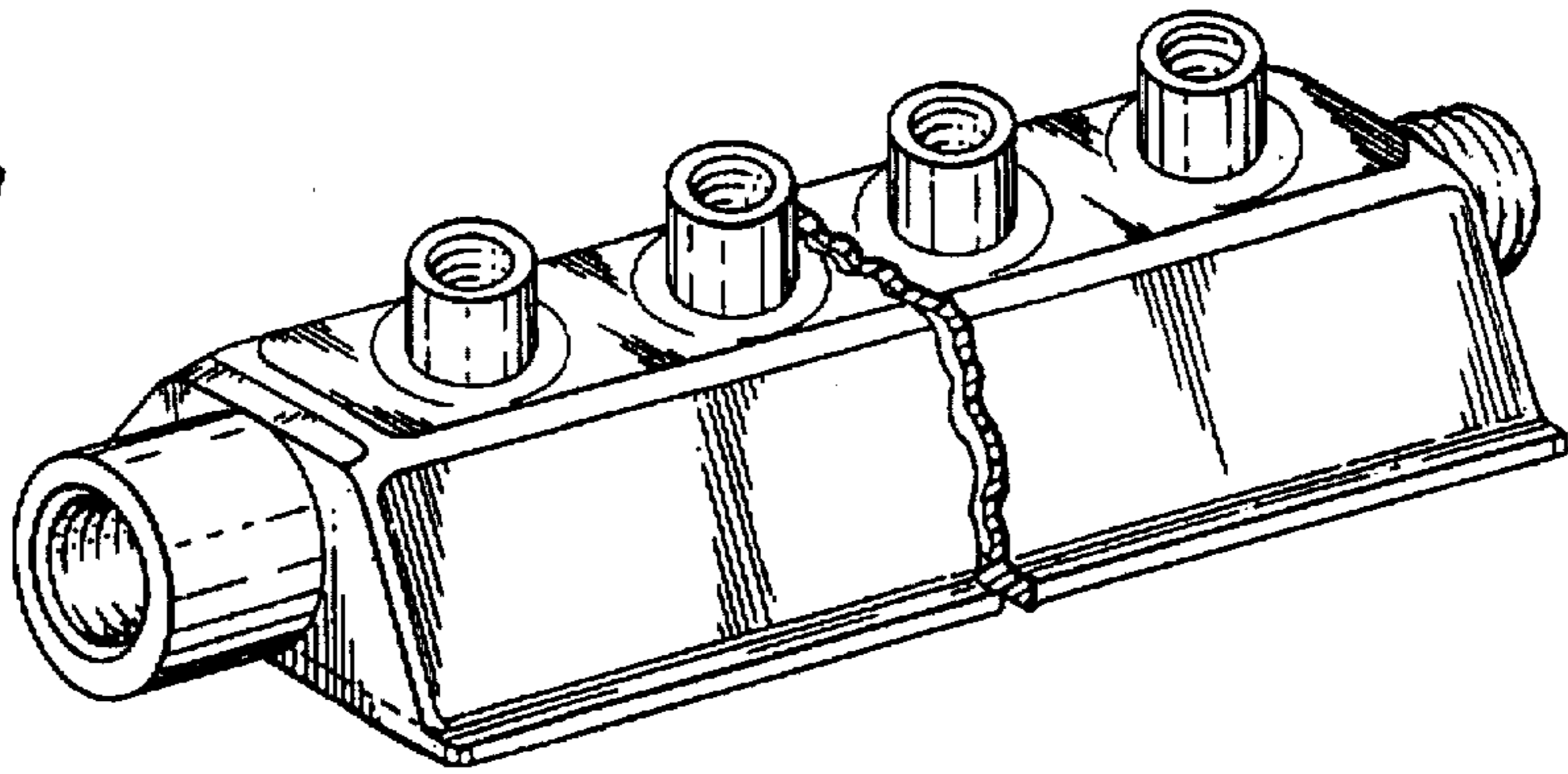


FIG. 2

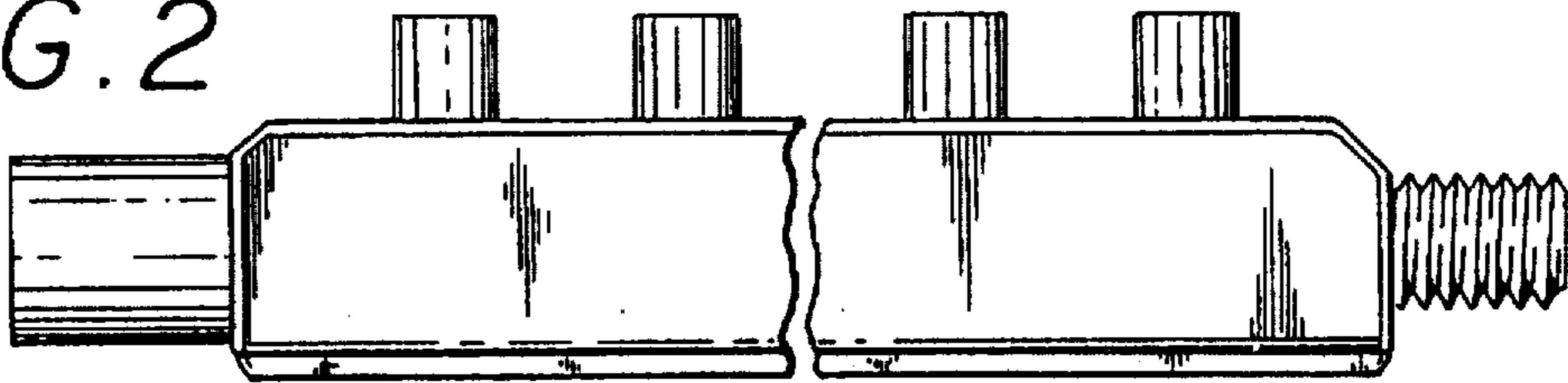


FIG. 3

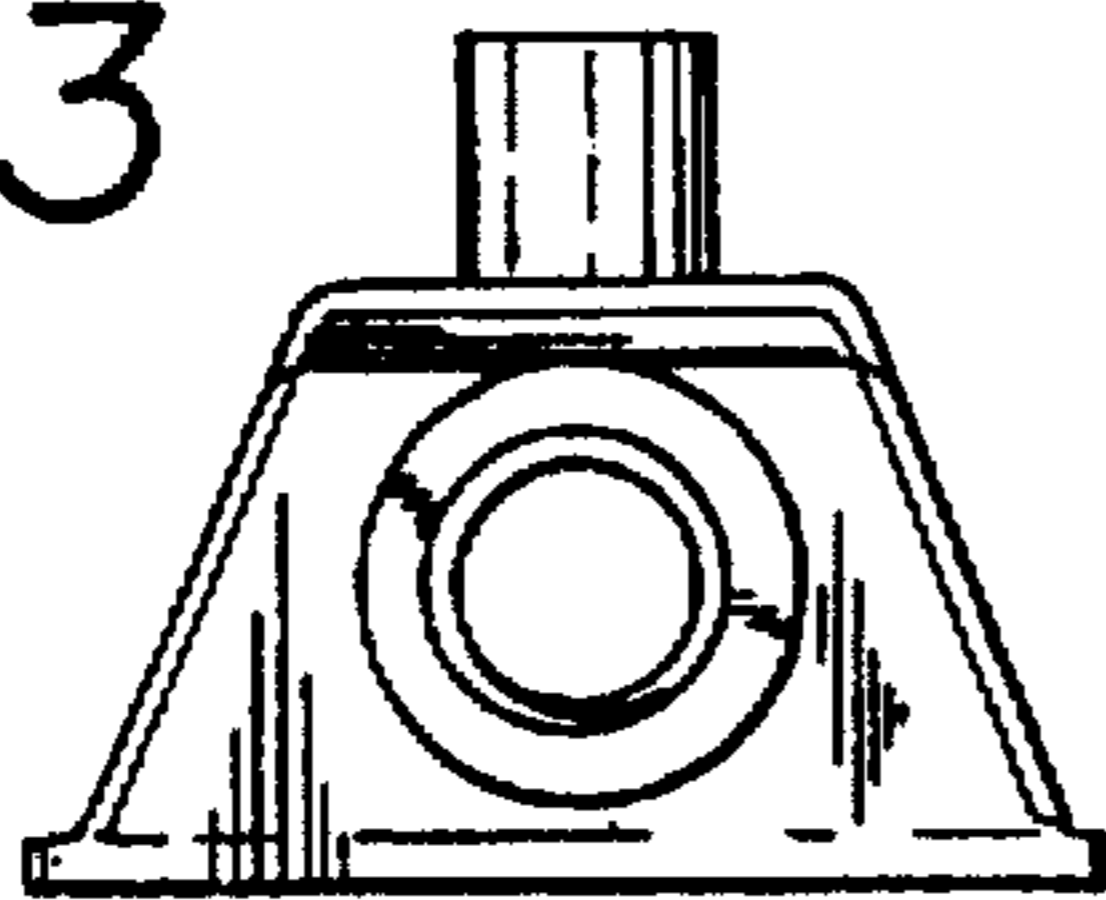


FIG. 4

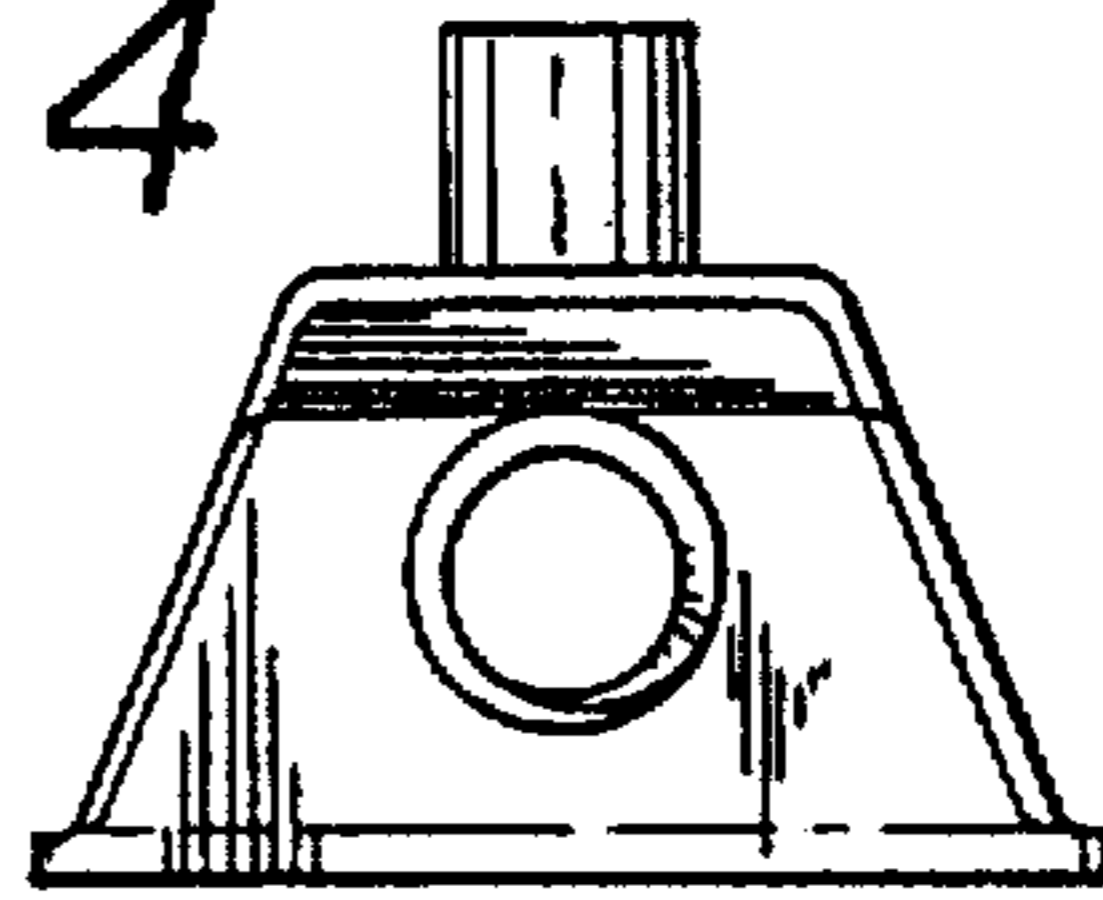


FIG. 5

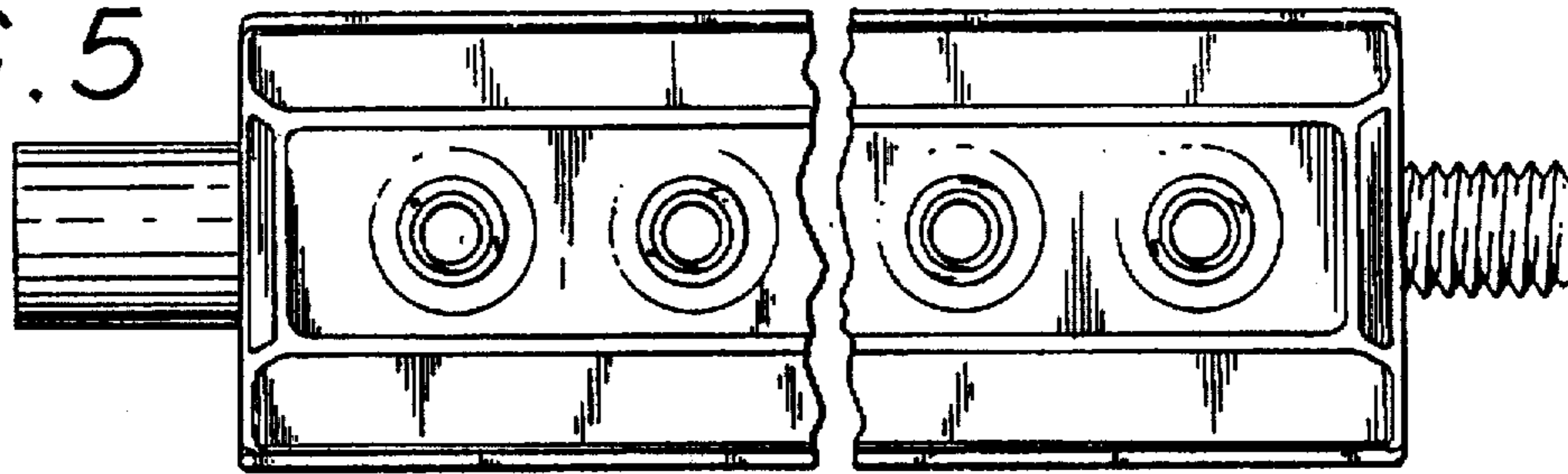


FIG. 6

