

US00D394896S

United States Patent [19]

Asano et al.

[11] Patent Number: **Des. 394,896**

[45] Date of Patent: ****Jun. 2, 1998**

[54] **FISHING REEL**

[75] Inventors: **Shin-ichi Asano, Musashino; Tomohiro Murayama; Toshiro Ono**, both of Higashikurume, all of Japan

[73] Assignee: **Daiwa Seiko, Inc.**, Tokyo, Japan

[**] Term: **14 Years**

[21] Appl. No.: **56,142**

[22] Filed: **Jun. 24, 1996**

[30] **Foreign Application Priority Data**

Dec. 28, 1995 [JP] Japan 7-39929

[51] **LOC (6) Cl.** **22-05**

[52] **U.S. Cl.** **D22/140**

[58] **Field of Search** D22/140, 141; 242/311, 312, 313, 234, 240, 282, 310, 279

[56] **References Cited**

U.S. PATENT DOCUMENTS

D. 324,408 3/1992 Kameda D22/140

D. 336,325	6/1993	Asano	D22/140
D. 347,460	5/1994	Ohi	D22/140
D. 356,138	3/1995	Onishi	D22/140
D. 356,139	3/1995	Onishi	D22/140
D. 366,690	1/1996	Storz	D22/140

Primary Examiner—Doris V. Coles
Attorney, Agent, or Firm—Laff, Whitesel, Conte & Saret, Ltd.

[57] **CLAIM**

The ornamental design for a fishing reel, as shown.

DESCRIPTION

FIG. 1 is a front, top and left side perspective view of a fishing reel, showing our new design; FIG. 2 is a rear, top and right side perspective view thereof; FIG. 3 is a front, top and right side perspective view thereof; FIG. 4 is a rear, top and left side elevational view thereof; FIG. 5 is a front elevational view thereof; FIG. 6 is a right side elevational view thereof; FIG. 7 is a top plan view thereof; FIG. 8 is a rear elevational view thereof; FIG. 9 is a left side elevational view thereof; and, FIG. 10 is a bottom plan view thereof.

1 Claim, 5 Drawing Sheets

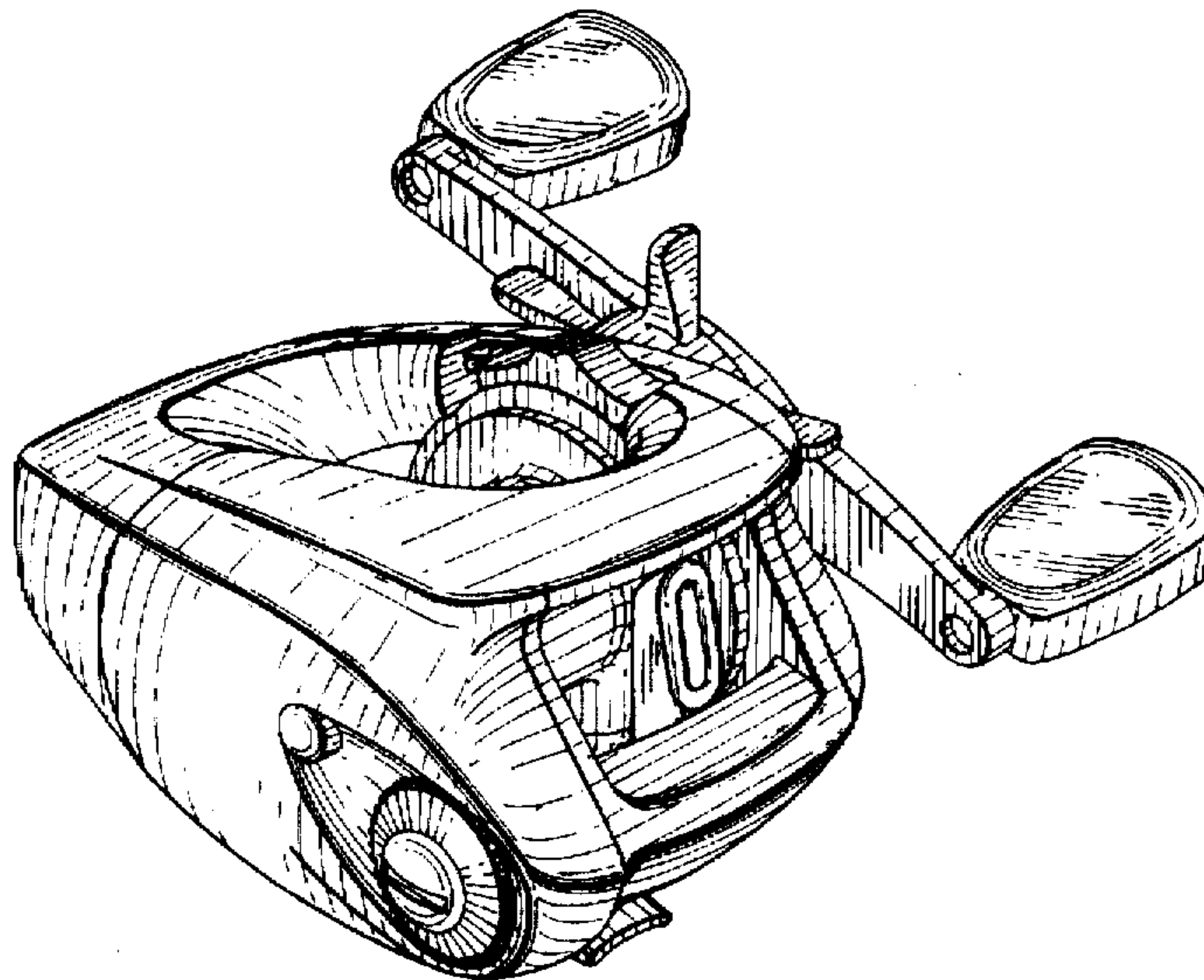


FIG.1

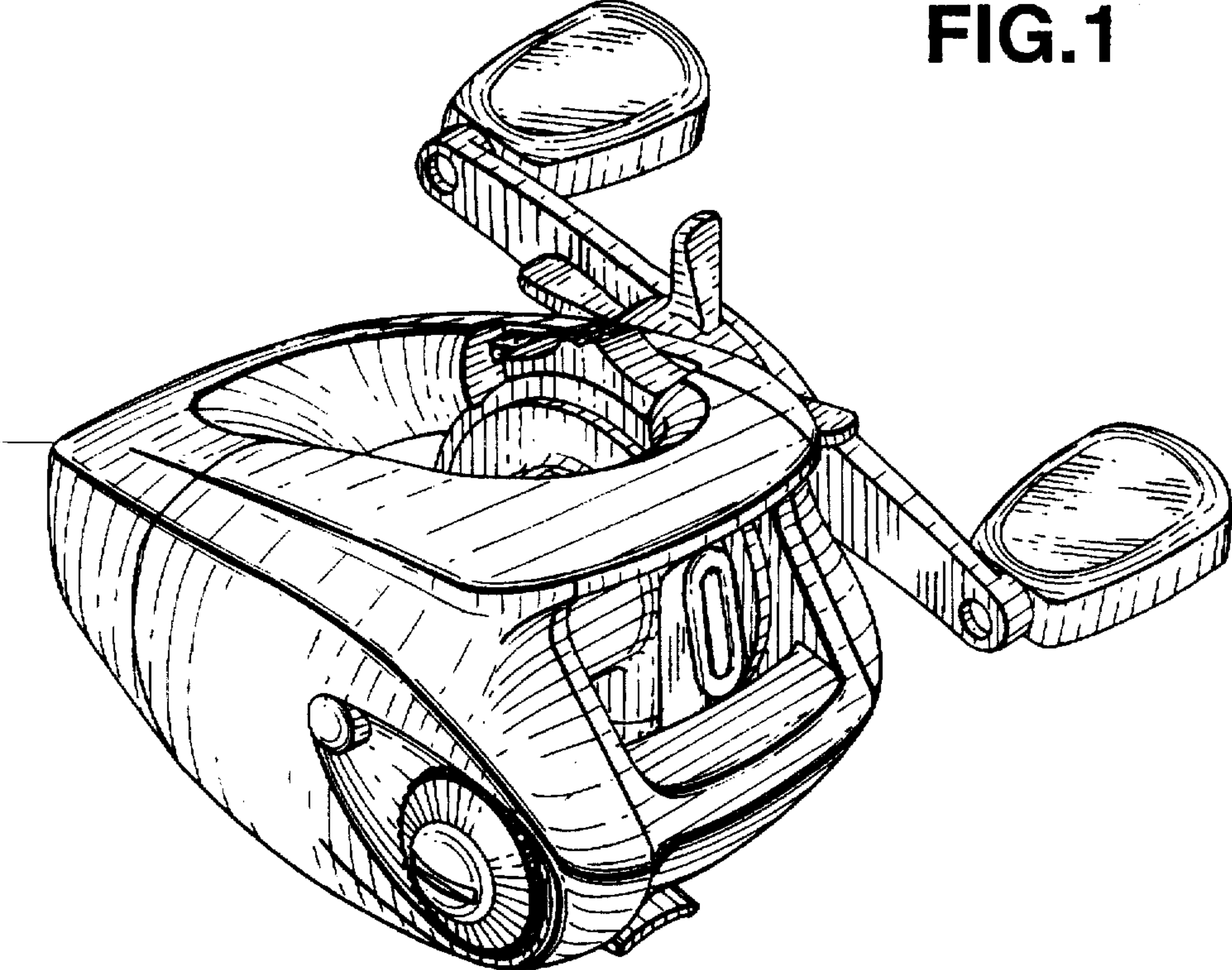


FIG.2

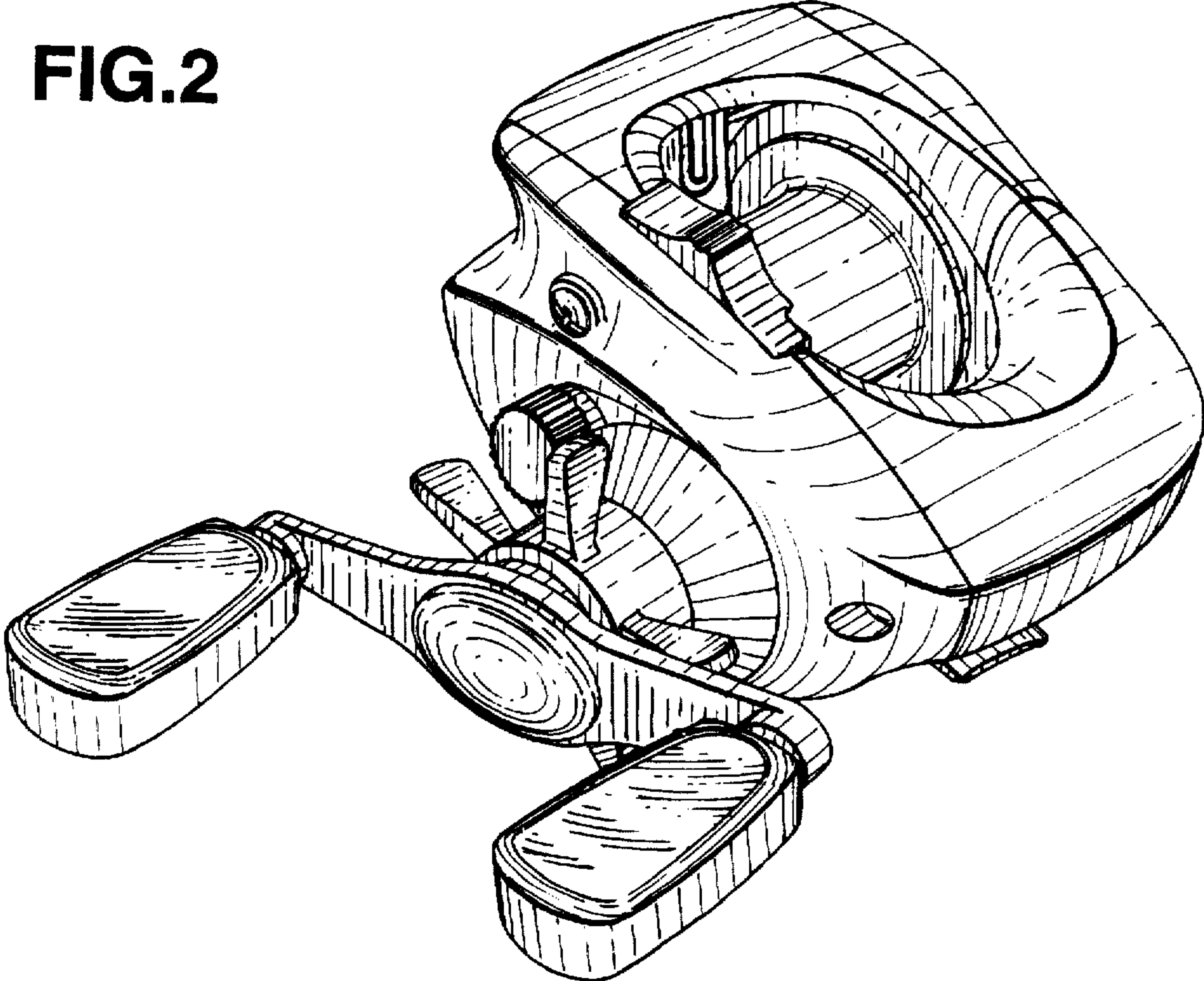


FIG.3

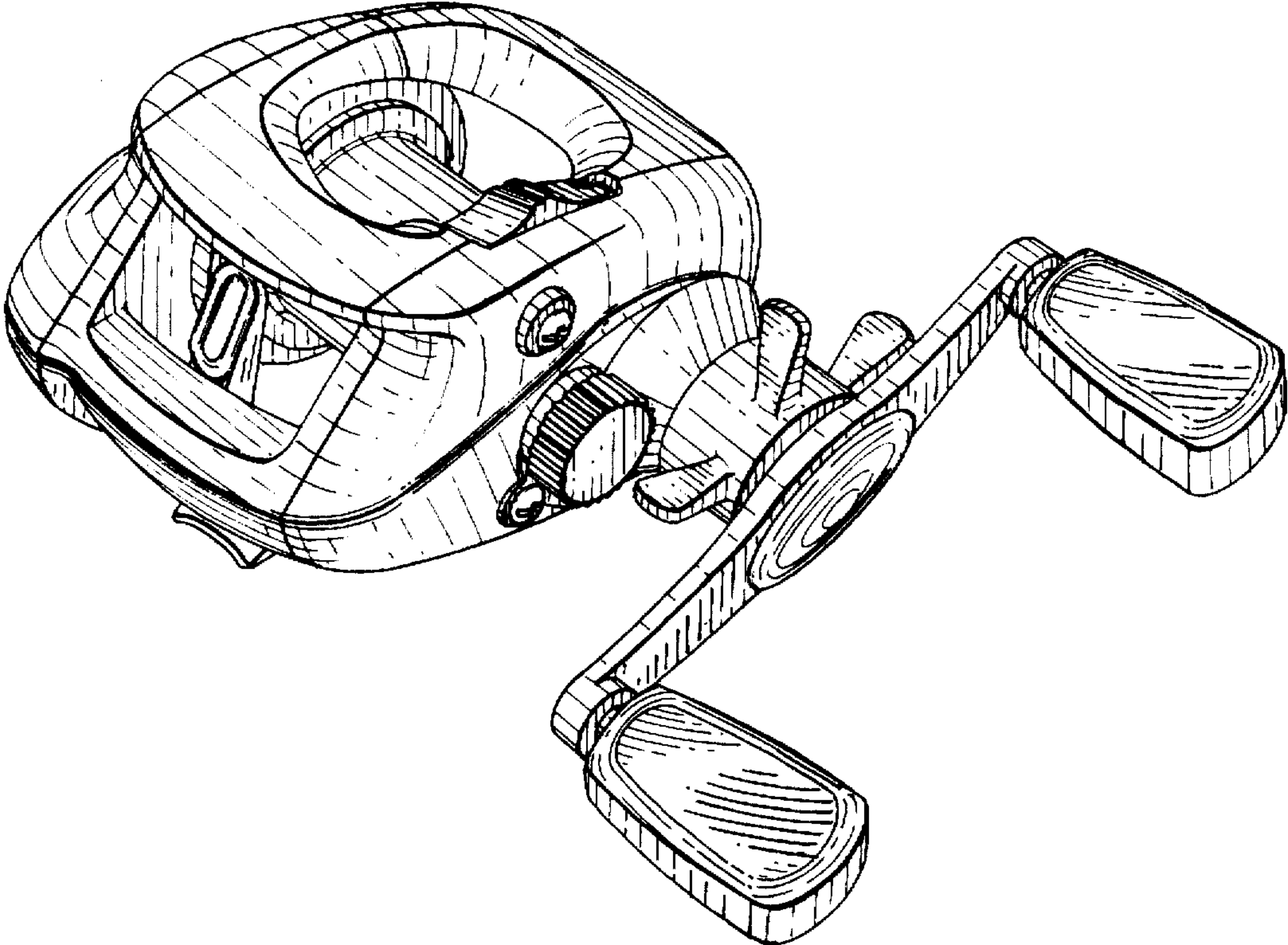


FIG.4

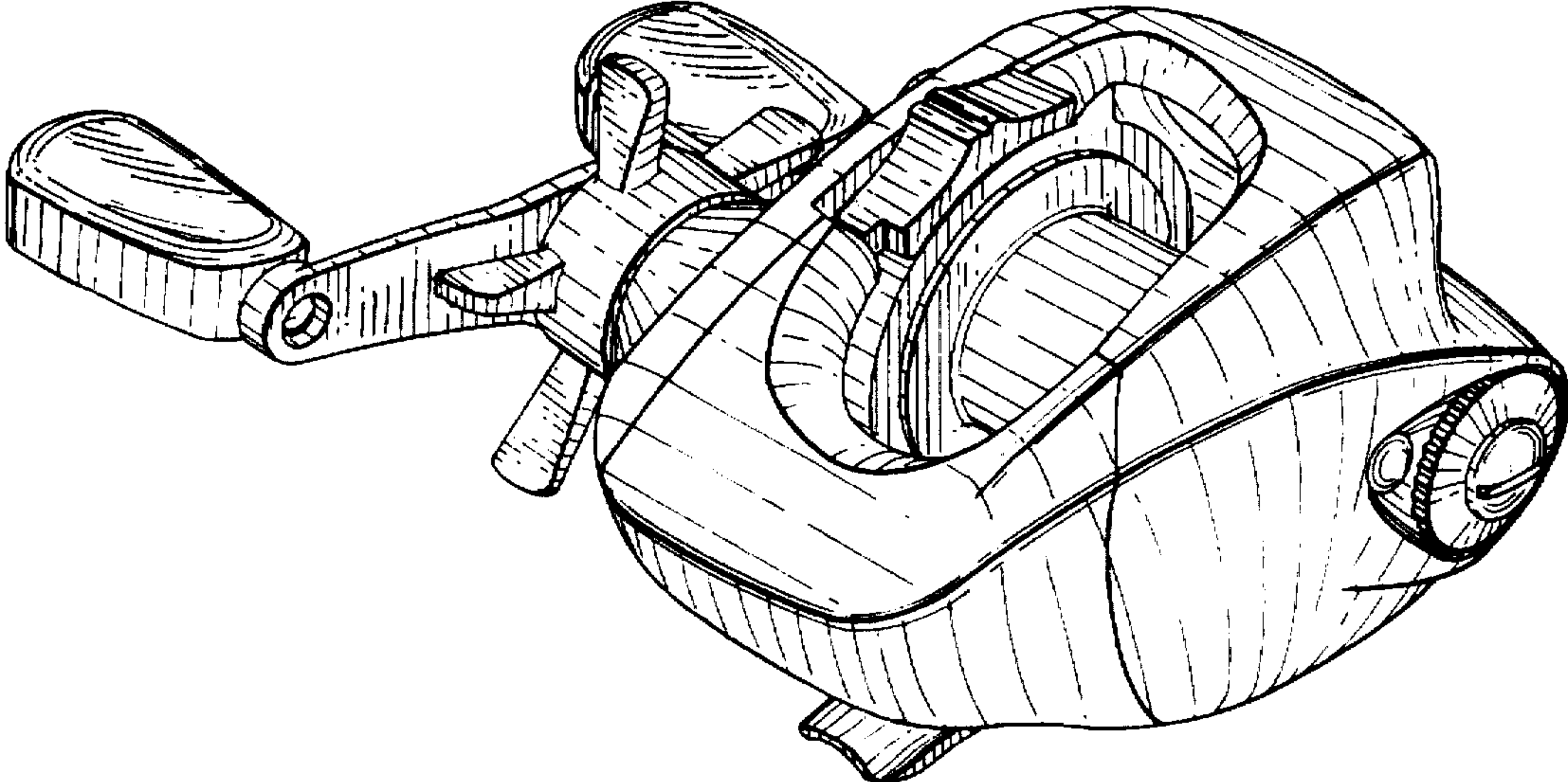


FIG.5

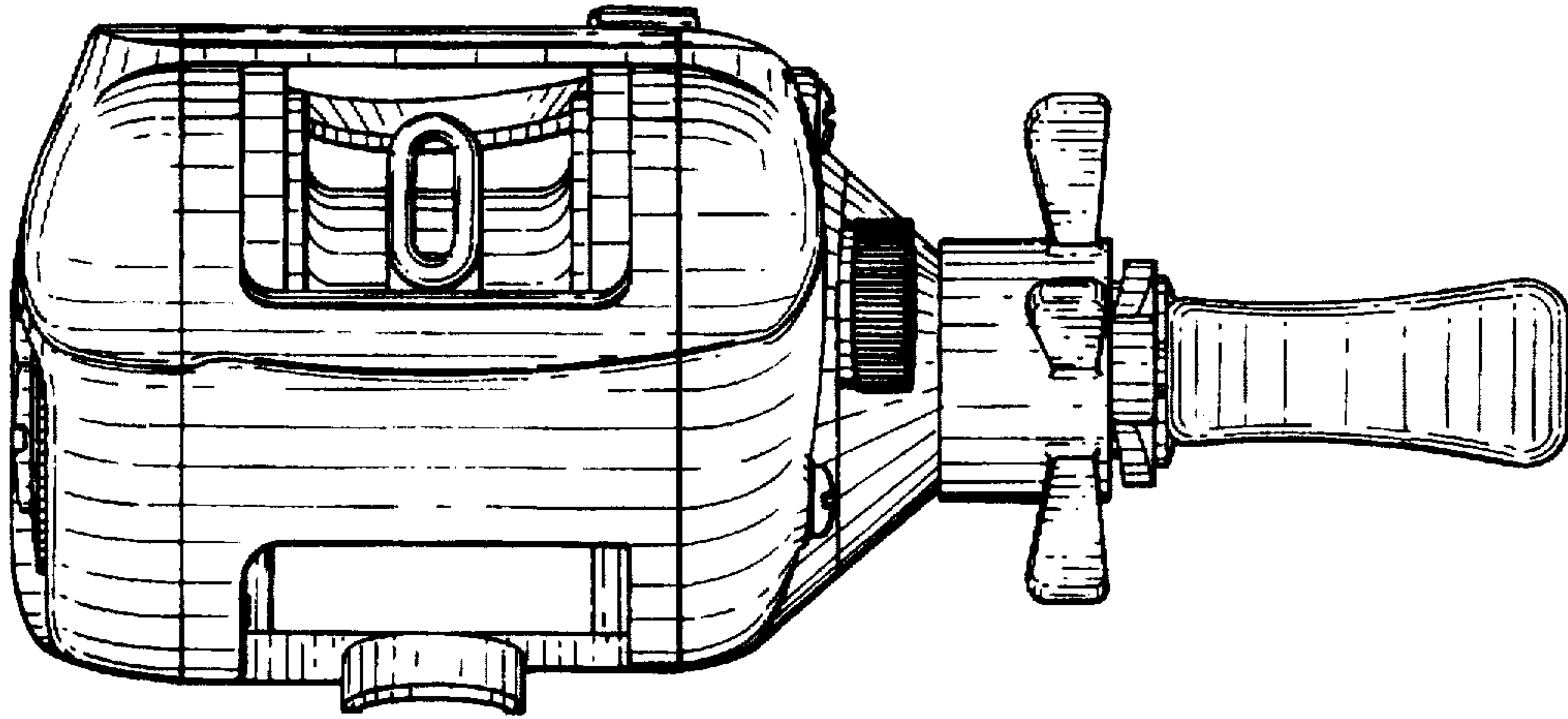


FIG.6

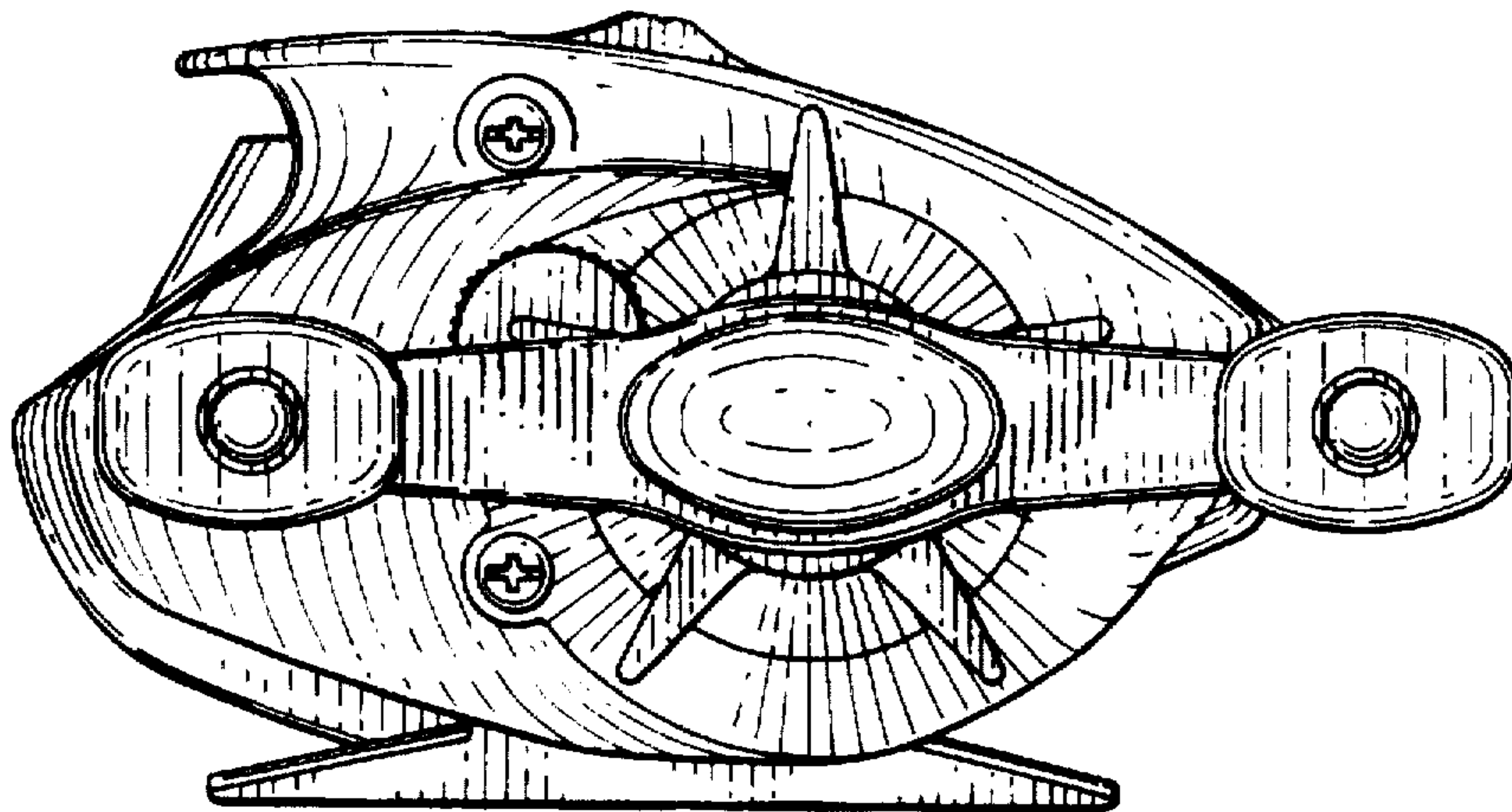


FIG. 7

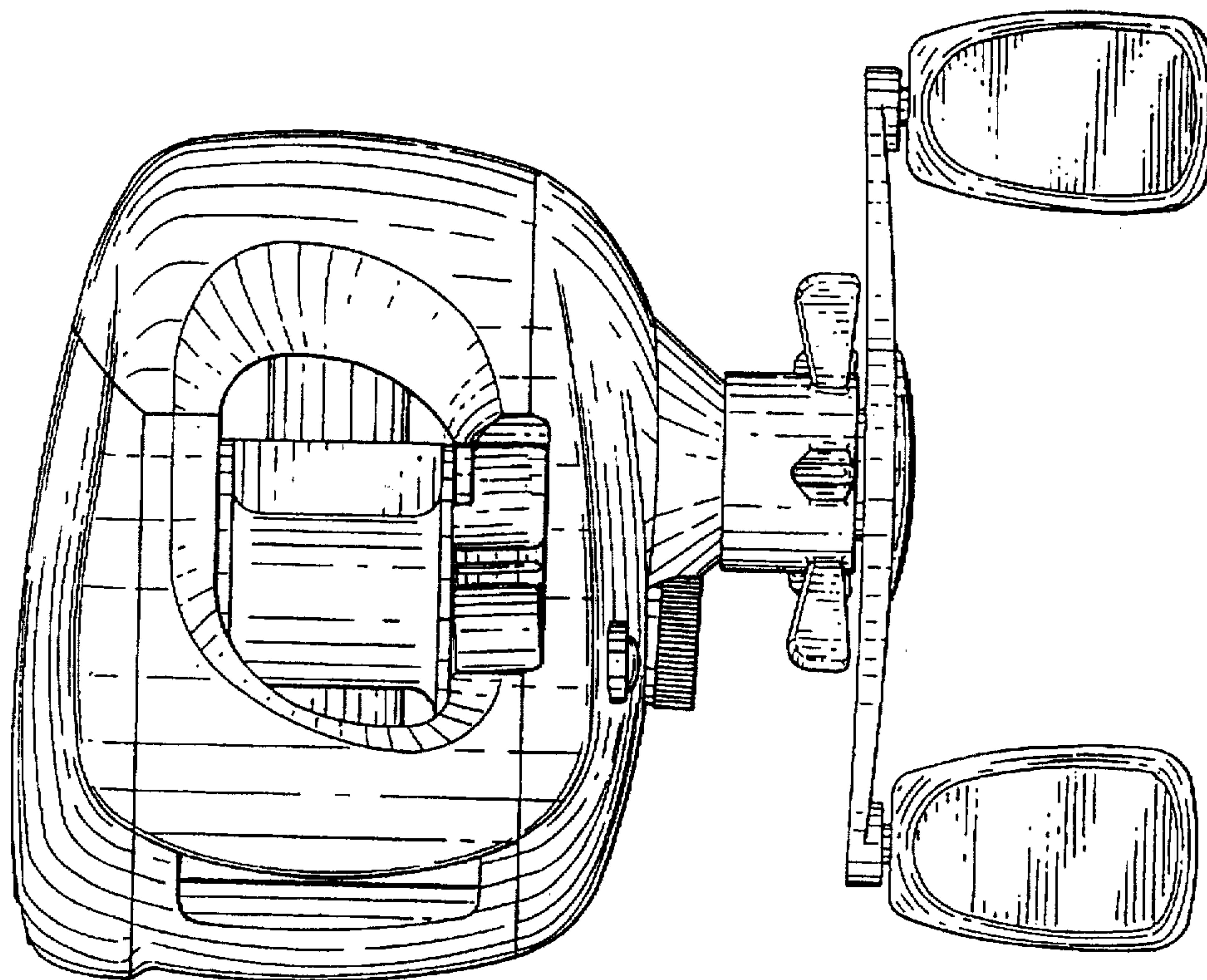


FIG. 8

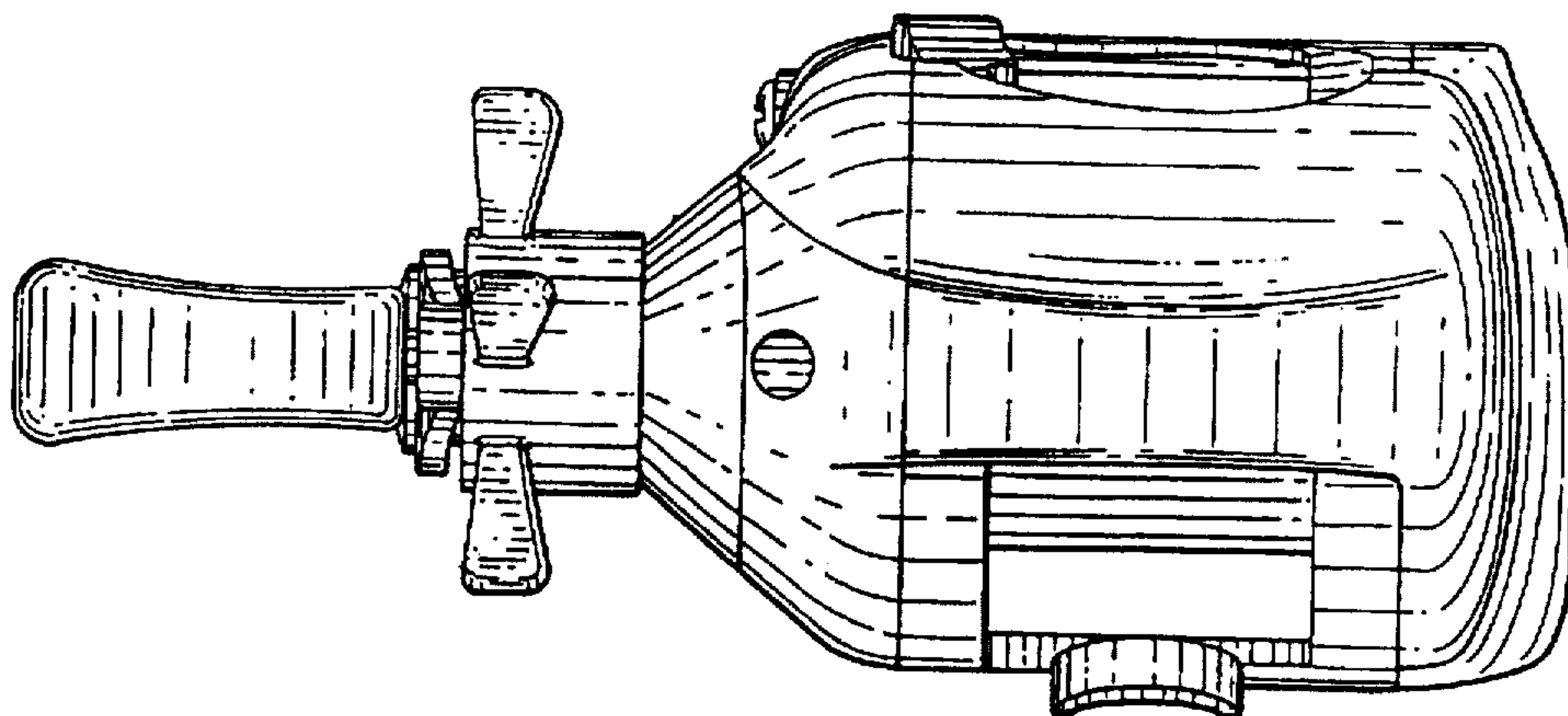


FIG.9

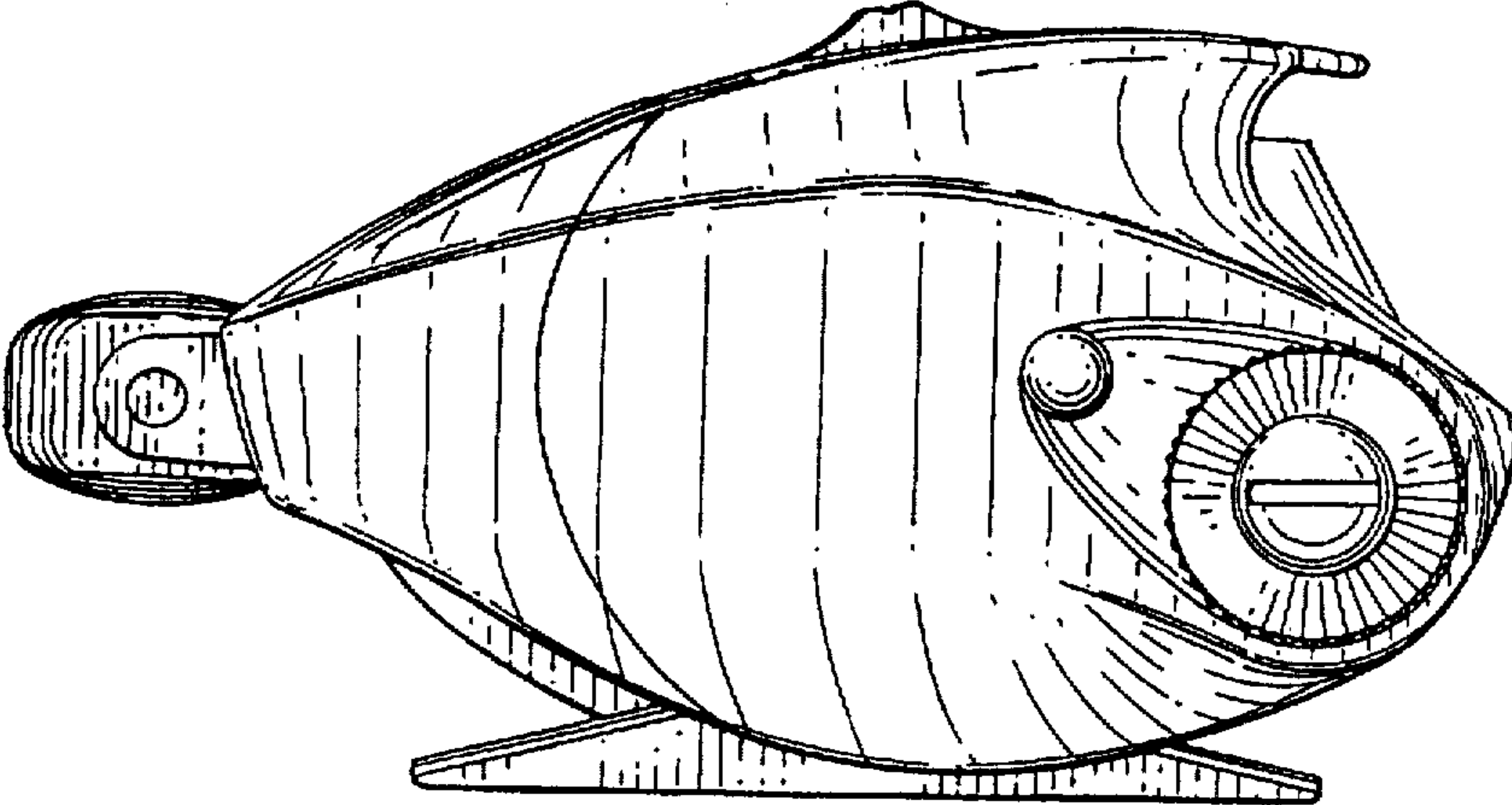


FIG.10

